

## FUTURELIGHT EYE-60 Moving-Head Wash

No. 51841337

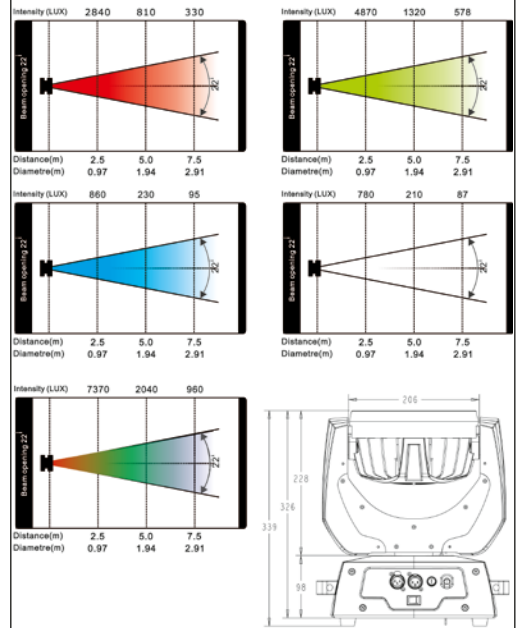
- + Equipped with 60 x 3 W LEDs: 22 x red, 17 x green, 15 x blue, 6 x white
- + Correction of the color temperature via 6 cold white LEDs possible
- + 100,000 hours LED life
- + Exact positioning via 16 bit PAN/TILT movement resolution
- + PAN angle switchable between 630° and 540°
- + Switch-mode power supply

DMX

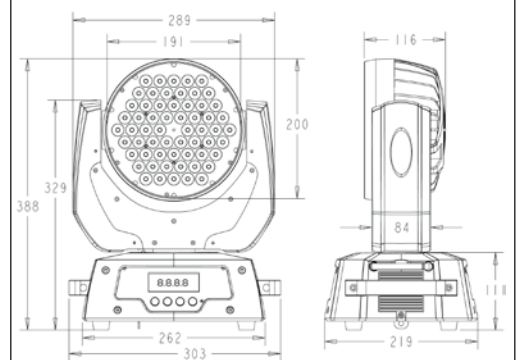
HIGH  
POWER  
LED



- Equipped with 60 x 3 W LEDs: 22 x red, 17 x green, 15 x blue, 6 x white
- Correction of the color temperature via 6 cold white LEDs possible
- Long LED life
- DMX-controlled operation or stand-alone operation with Master/Slave function
- 56 preprogrammed scenes in Program Run for stand-alone operation
- Number of scenes in Program Run can be changed individually
- The scenes in Program Run can be modified via the Control Board or via an external controller and loaded into the memory
- 7 built-in programs can be called up via DMX controller
- Software-upload by optional FUTURELIGHT ULB-1 upload box via DMX link (from software version 2.0, 06/2010)
- Sound-controlled via built-in microphone
- Exact positioning via 16 bit PAN/TILT movement resolution
- PAN angle switchable between 630° and 540°
- Switch-mode power supply
- Automatic power supply adaption between 100 and 240 Volts without power selector
- Stepless RGBW color changing
- Programmable color-change speed and strobe effect
- Random strobe effect
- Lightbeam with 22° radiation angle
- Blue LCD display
- ESDC function (Easy Service Data Check) with battery-buffered Control Board for operation time readouts etc.
- Strobe effect with 1-25 flashes per second
- Masterdimmer
- Rainbow effect
- Control Board with LCD display and foil-keyboard for adjusting the DMX starting address, PAN/TILT Reverse, Program, Reset
- RDMX (Remote DMX Addressing): DMX address setting via controller possible
- Advantages of LED technology: long life, low power consumption, minimal heat emission, defacto maintenance free with brilliant light radiation
- DMX control via every standard DMX controller



%	1 Pan	2 Tilt	3 Scan speed	4 R	5 G	6 B	7 W	8 Strobe	9 Dimming	10 Rainbow	11 Auto program	12 Pan High Resolution	13 Tilt High Resolution
100%	Blackout By wheels	Blackout By moving	Normal	Red	Green	Blue	White	RANDOM STROBE	Dimming	CROSSING COLOURS	Music C. Internal program 7	16 bit pan move	16 tilt pan move
75%			Blackout By moving								Internal program 1		
50%			Min					Pulse-effect			No function Scan motor reset		
25%			Moving speed								All motor reset		
0%			Max								Normal		



### Technical specifications:

Power supply:	100-240 V AC, 50/60 Hz ~
Power consumption:	250 W
DMX control channels:	13
DMX512 connection:	3-pin XLR
Flash-rate:	25 Hz
Maximum PAN-movement 630°:	in 2.5 s
Maximum TILT-movement 265°:	in 1.5 s
Number of LEDs:	60
Beam angle:	approx. 22°
Dimensions (LxWxH):	310 x 285 x 385 mm
Weight:	8 kg

### Accessories:

EUROLITE TPC-10 coupler, black	No. 59006858
Flightcase for 4x EYE-60	No. 51836878
Saving Safety bond 3x600 black	No. 58010252

