

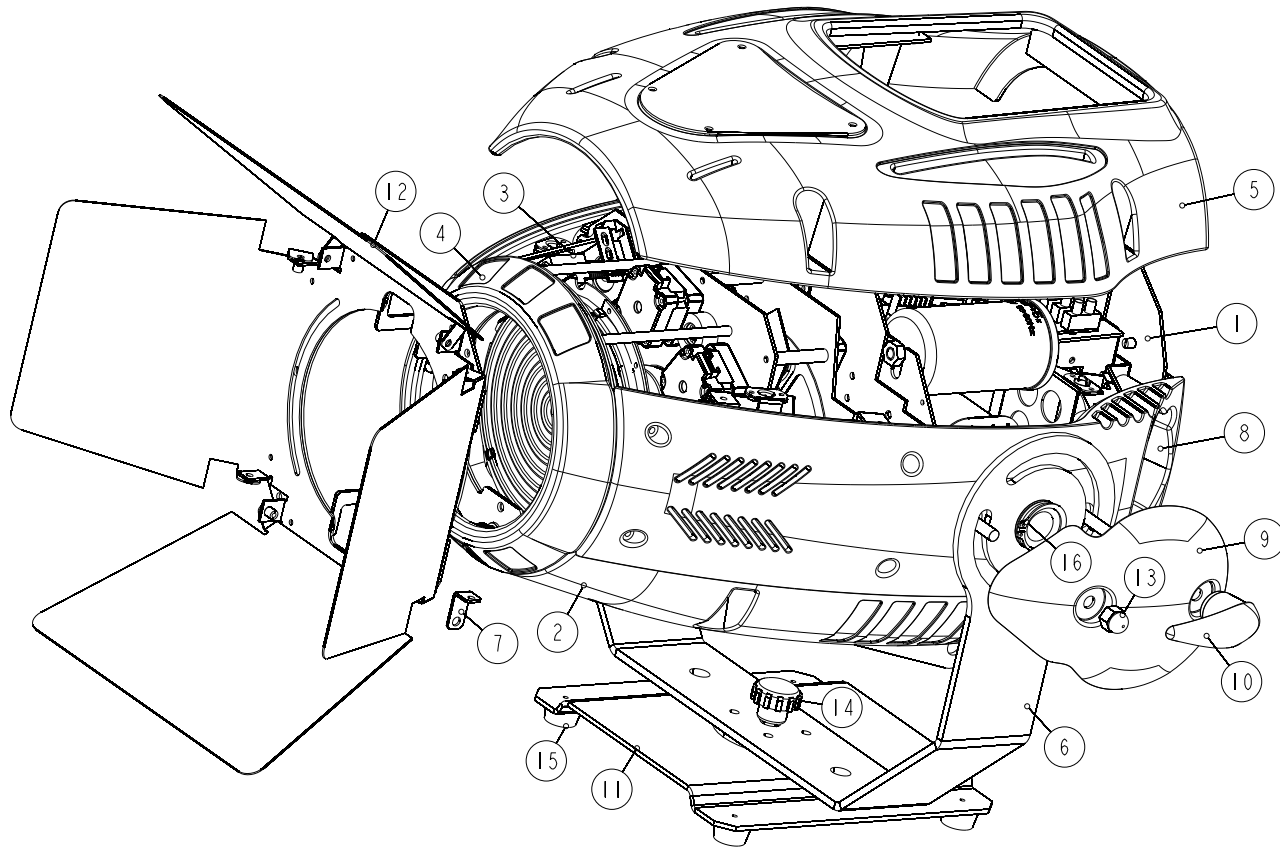
Service manual

PCC 575 CMY

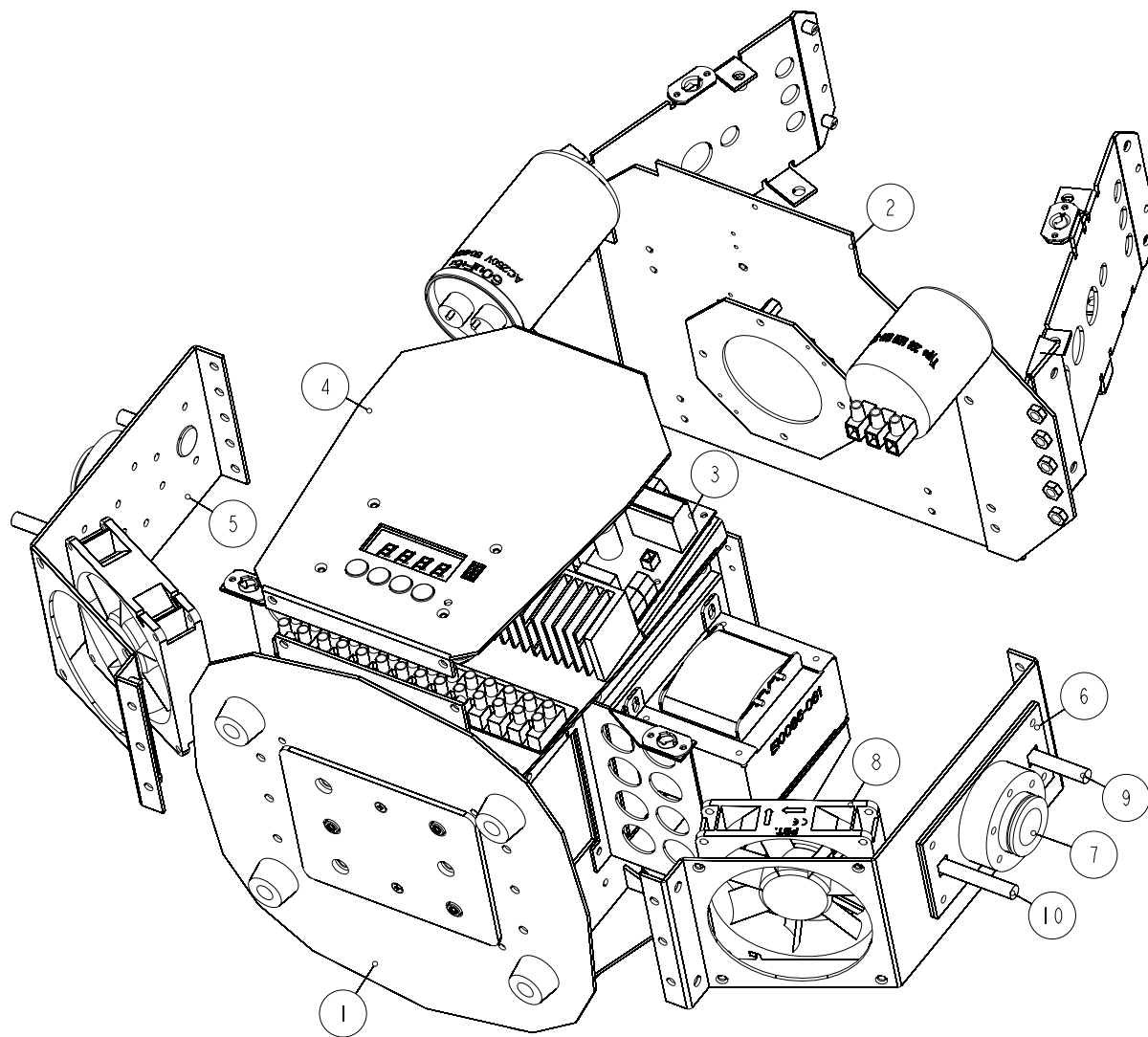
- ※ **Exploded Diagrams**
- ※ **Circuit Diagrams**
- ※ **Wiring Diagrams**
- ※ **Parts List**



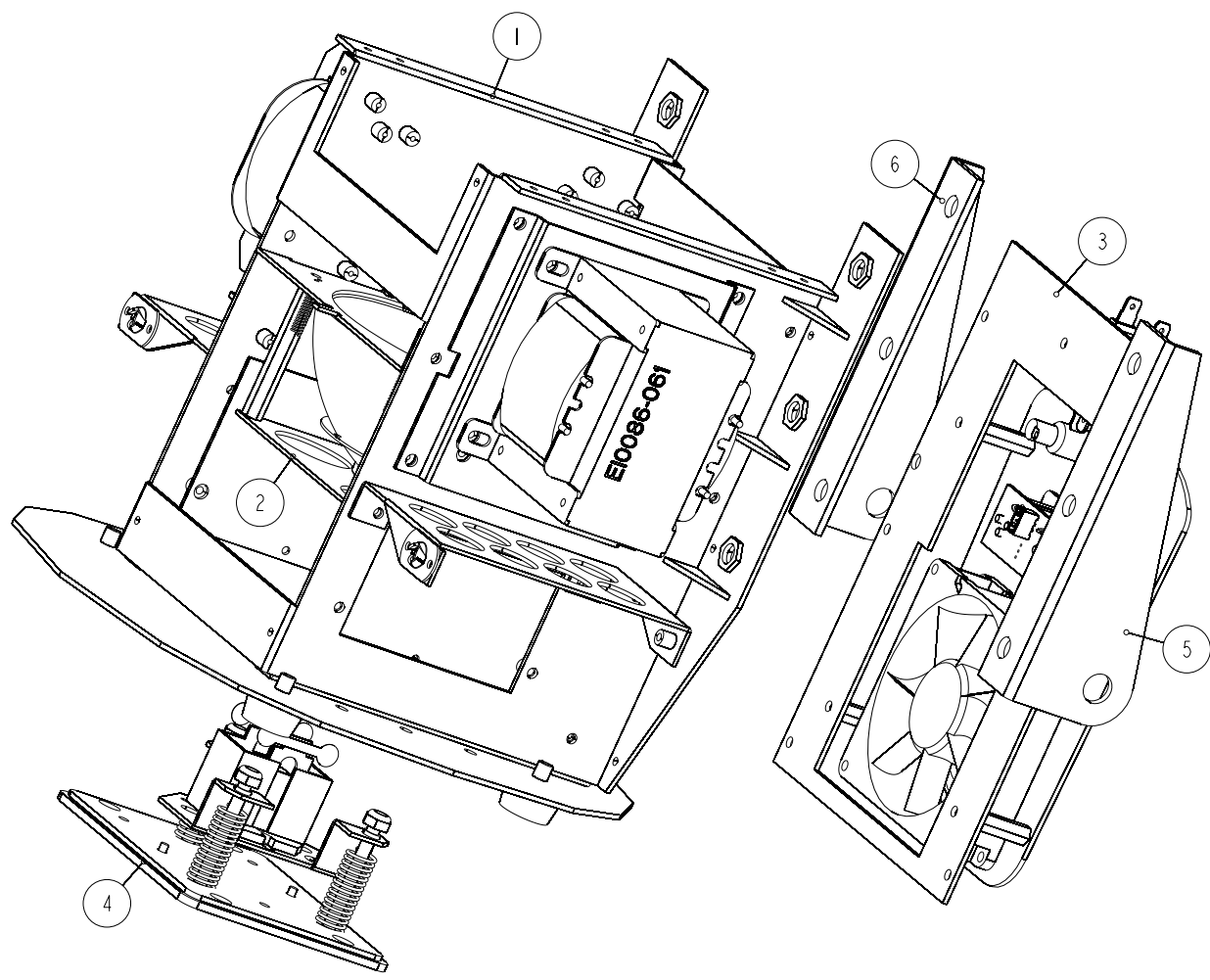
PRODUCT		PCC 575 CMY			
PIC. NO.		Front Page			
EDIT		FILE NO.	GS-EXP-029A		
CHECK		VERSION	A	DATE	2006. 10. 21
APPROVE		ECN NO.		DATE	



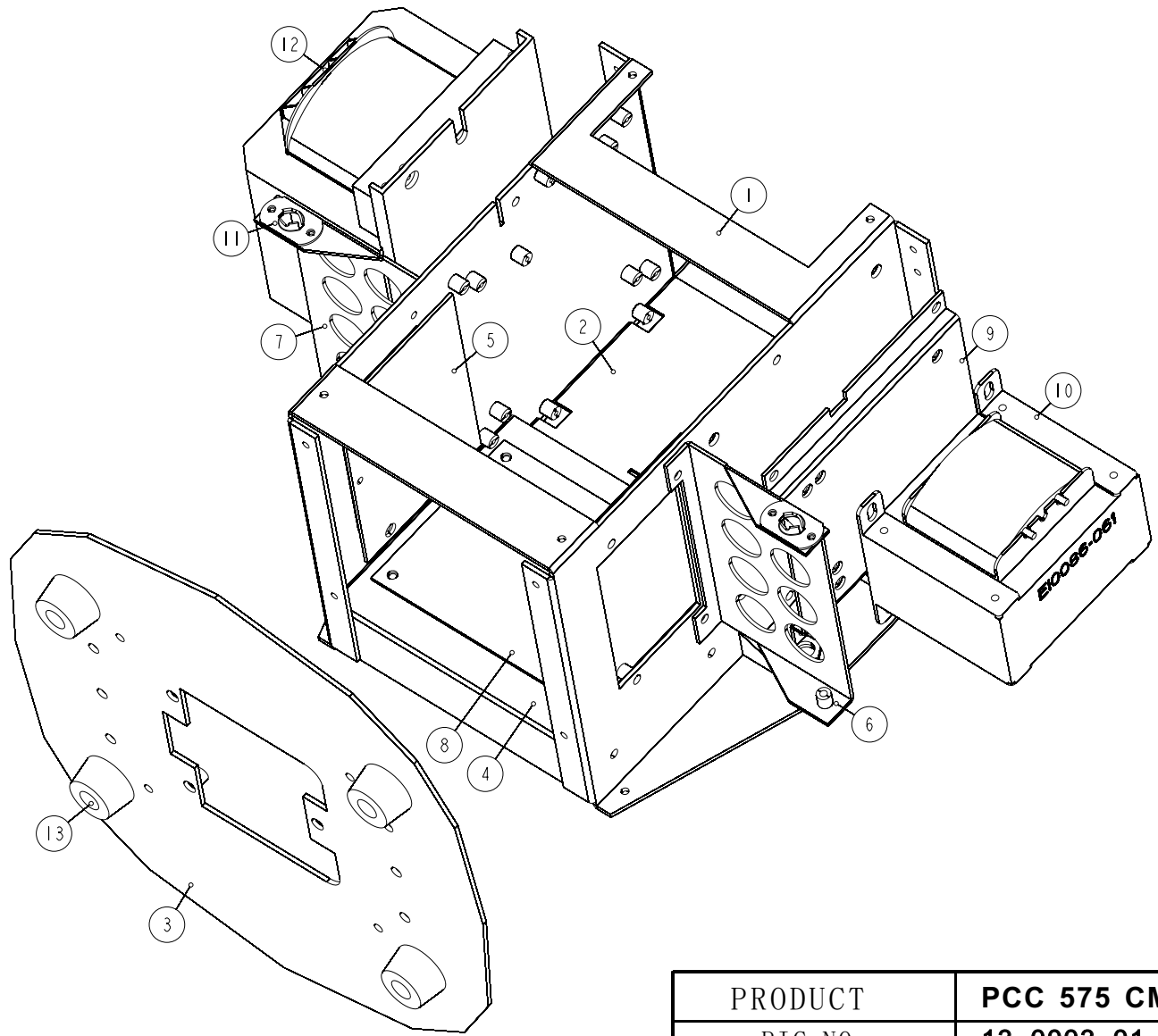
PRODUCT		PCC 575 CMY			
PIC. NO.		13-0003-00-00-00			
EDIT		FILE NO.	GS-EXP-029A	PAGE NO.	1/22
CHECK		VERSION	A	DATE	2006. 10. 21
APPROVE		ECN NO.		DATE	



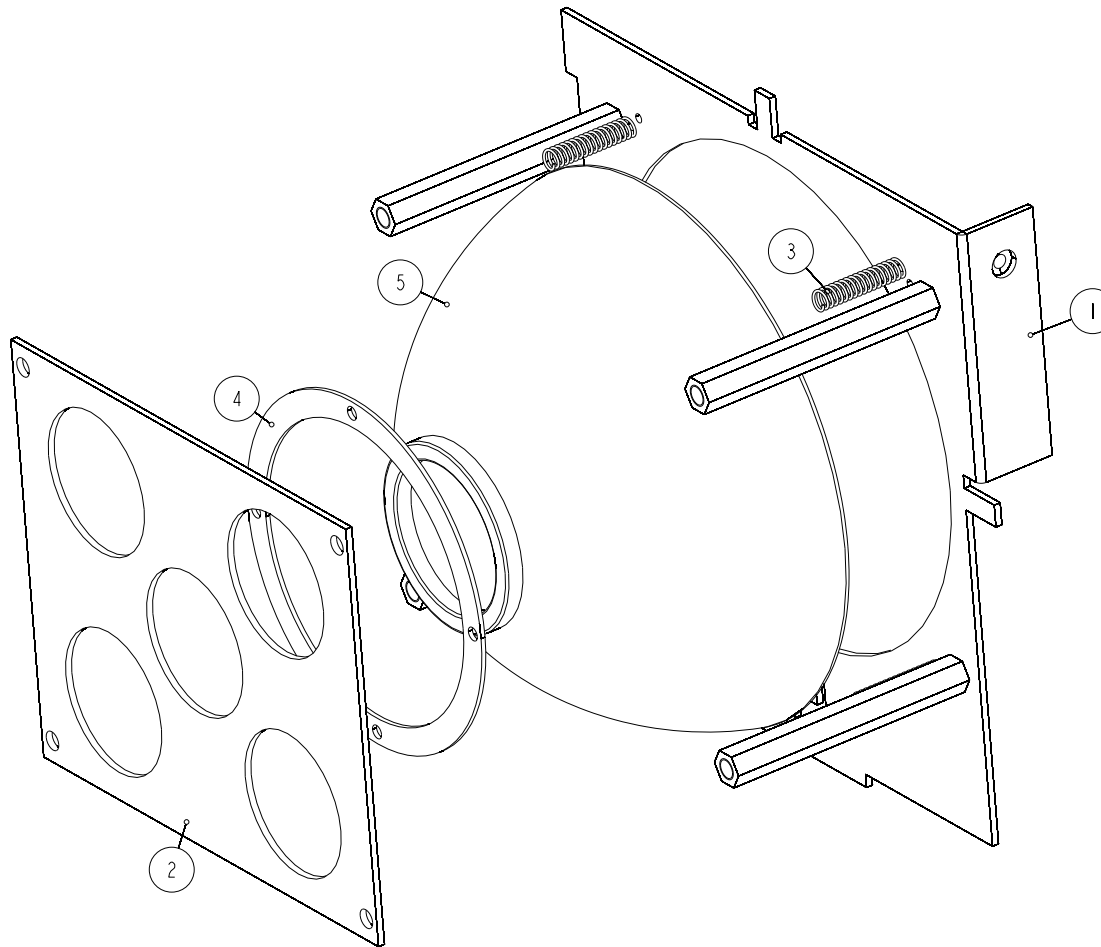
PRODUCT		PCC 575 CMY			
PIC. NO.		13-0003-01-00-00			
EDIT		FILE NO.	GS-EXP-029A	PAGE NO.	2/22
CHECK		VERSION	A	DATE	2006. 10. 21
APPROVE		ECN NO.		DATE	



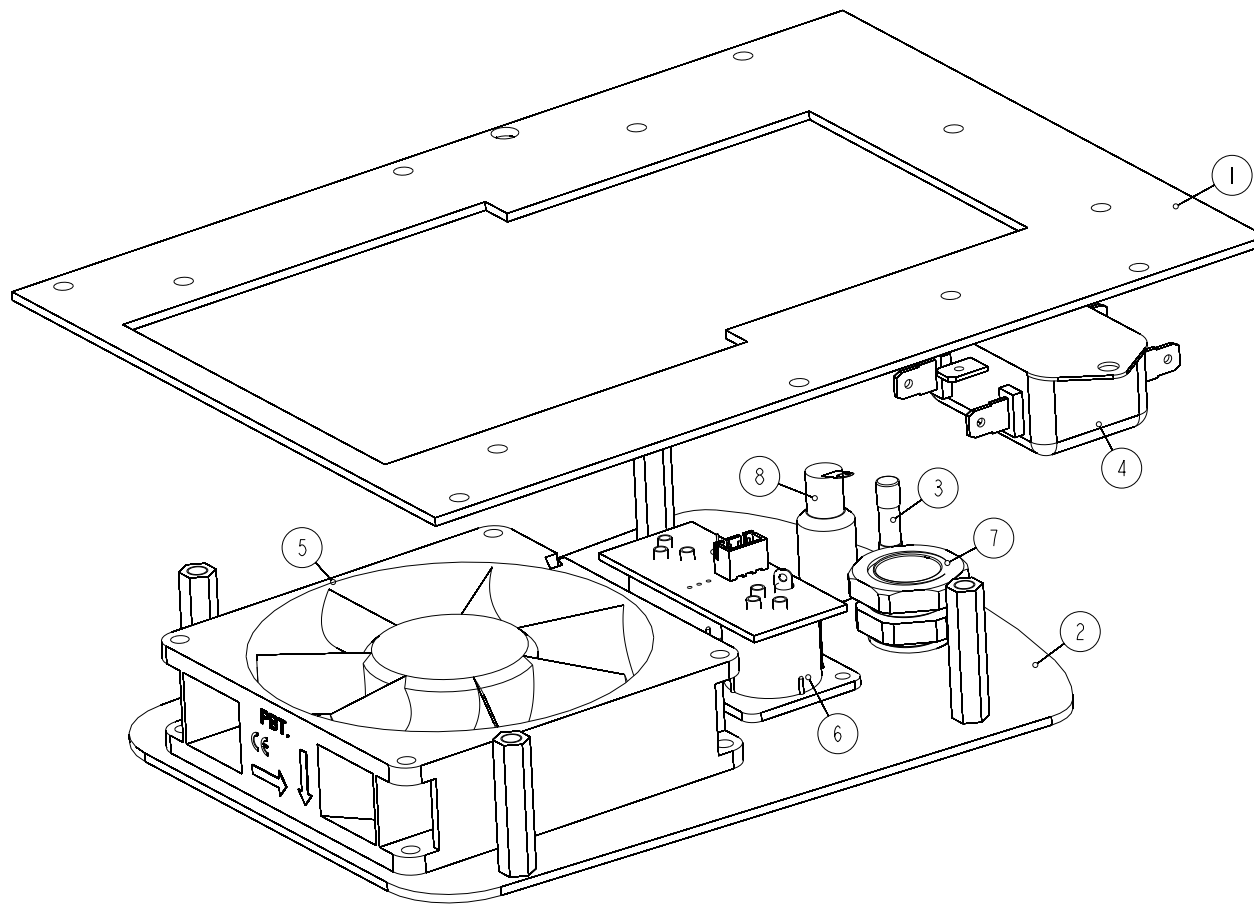
PRODUCT		PCC 575 CMY			
PIC. NO.		13-0003-01-01-00			
EDIT		FILE NO.	GS-EXP-029A	PAGE NO.	3/22
CHECK		VERSION	A	DATE	2006. 10. 21
APPROVE		ECN NO.		DATE	



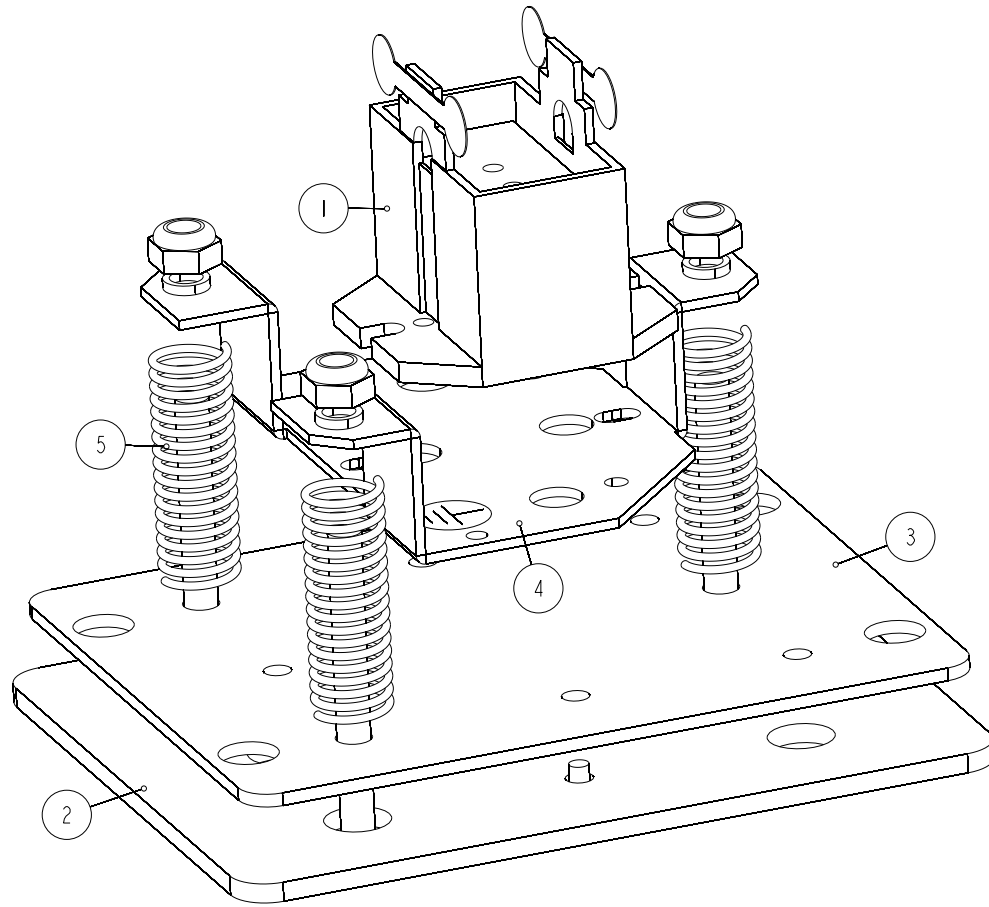
PRODUCT		PCC 575 CMY			
PIC. NO.		13-0003-01-01-01			
EDIT		FILE NO.	GS-EXP-029A	PAGE NO.	4/22
CHECK		VERSION	A	DATE	2006. 10. 21
APPROVE		ECN NO.		DATE	



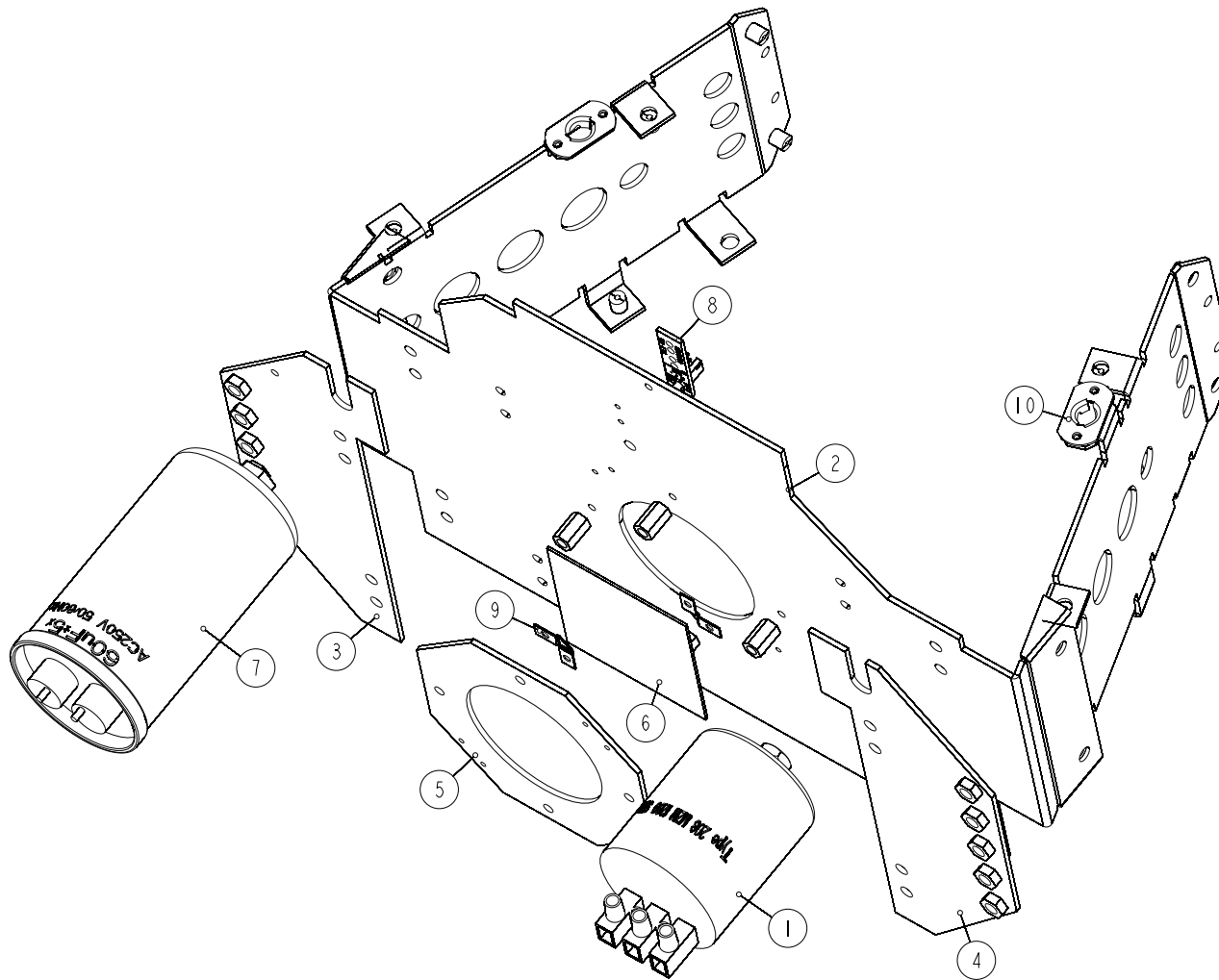
PRODUCT		PCC 575 CMY			
PIC. NO.		10-0003-01-01-02			
EDIT		FILE NO.	GS-EXP-029A	PAGE NO.	5/22
CHECK		VERSION	A	DATE	2006. 10. 21
APPROVE		ECN NO.		DATE	



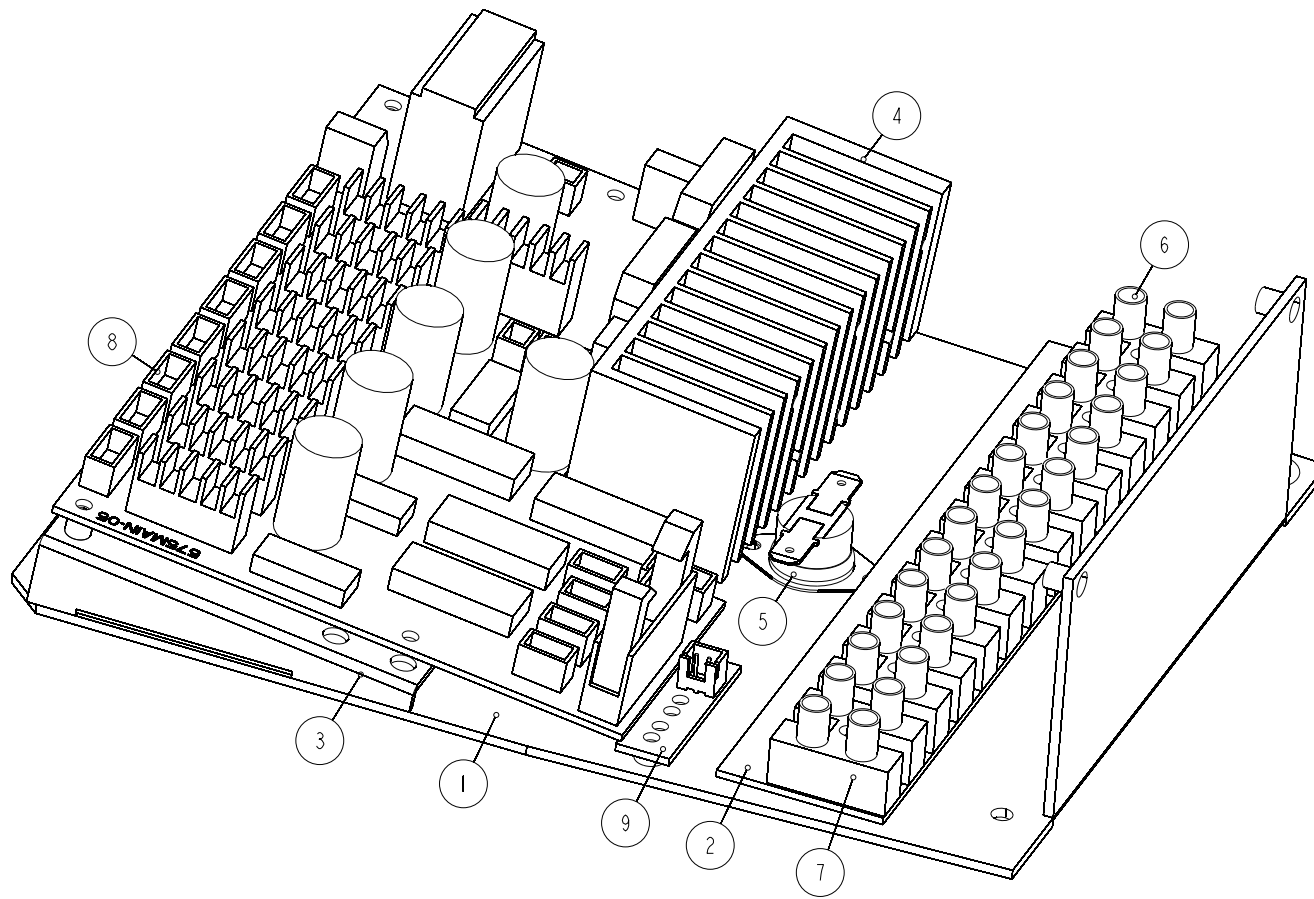
PRODUCT		PCC 575 CMY			
PIC. NO.		13-0003-01-01-03			
EDIT		FILE NO.	GS-EXP-029A	PAGE NO.	6/22
CHECK		VERSION	A	DATE	2006. 10. 21
APPROVE		ECN NO.		DATE	



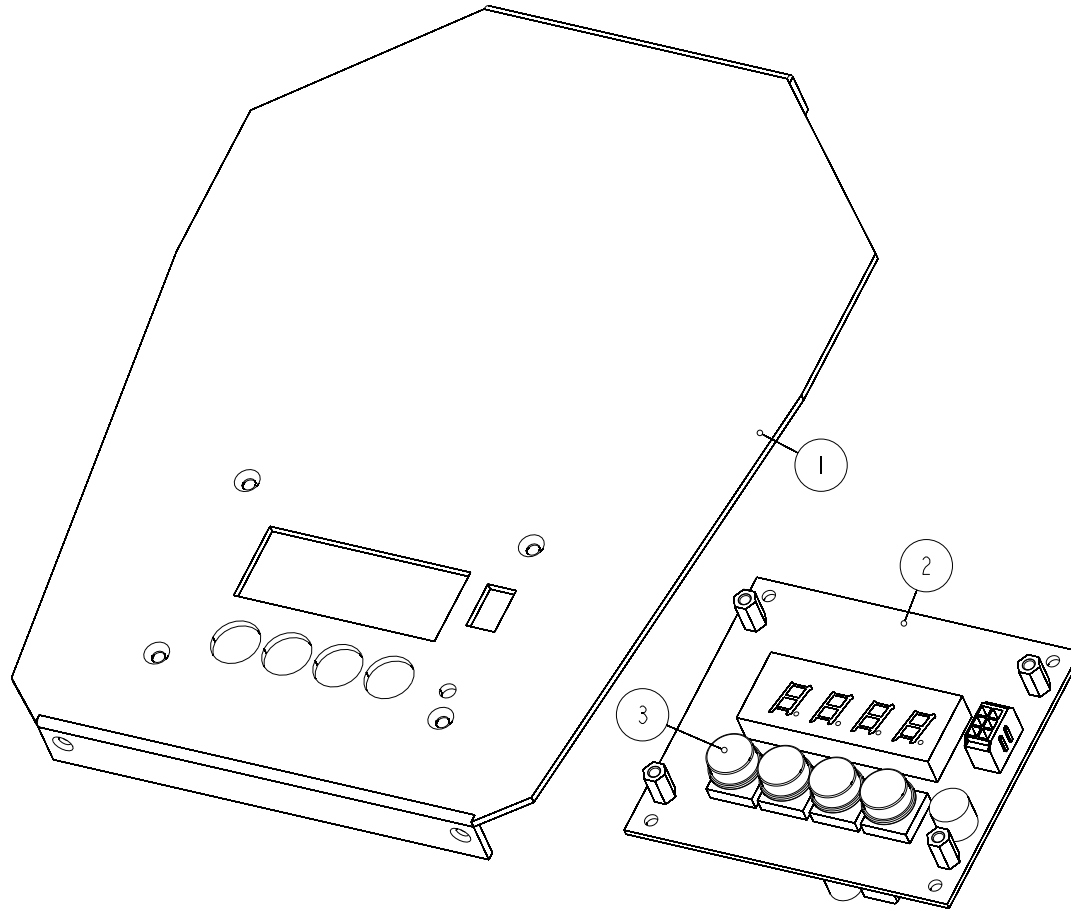
PRODUCT		PCC 575 CMY			
PIC. NO.		18-0004-04-01-04			
EDIT		FILE NO.	GS-EXP-029A	PAGE NO.	7/22
CHECK		VERSION	A	DATE	2006. 10. 21
APPROVE		ECN NO.		DATE	



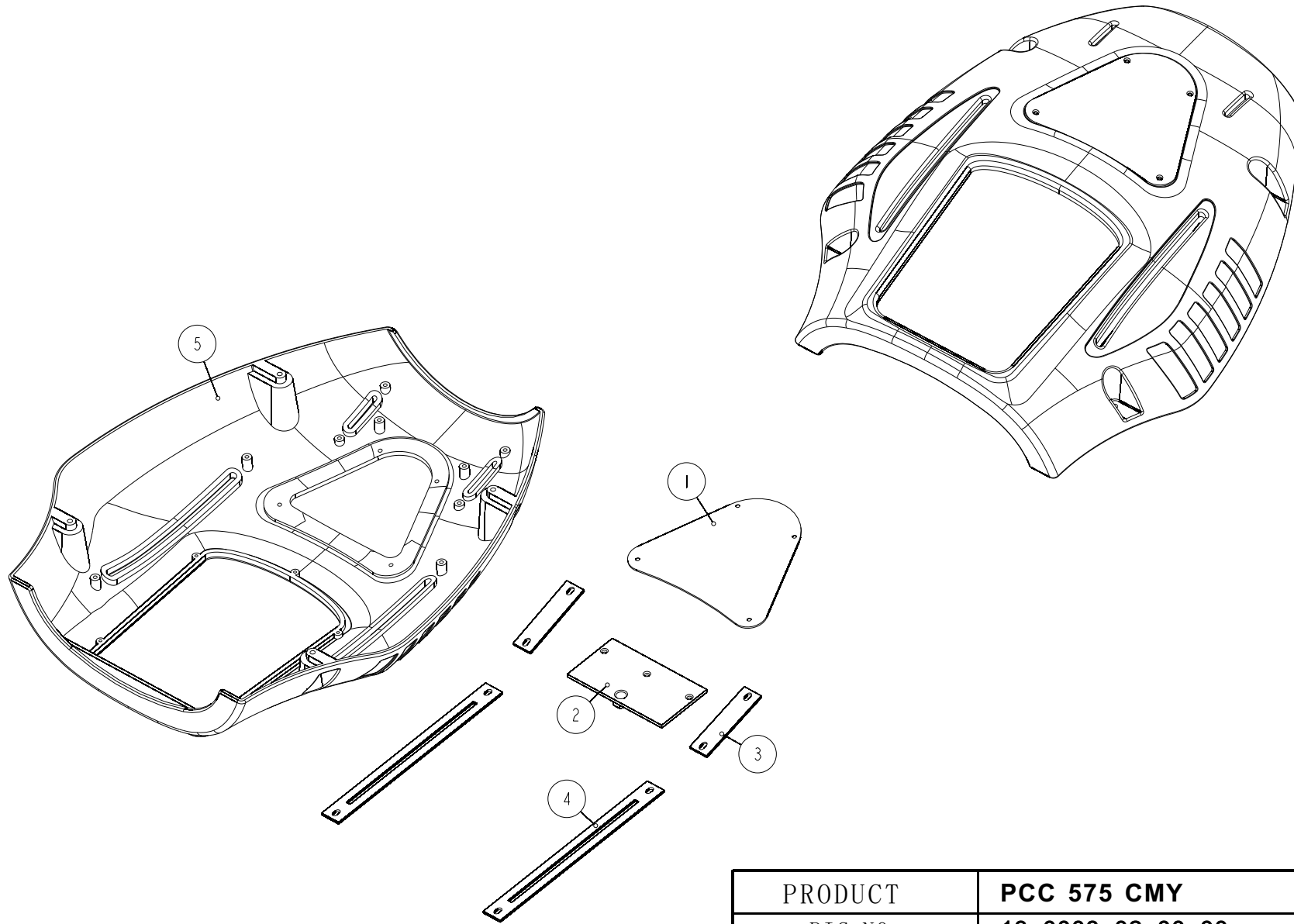
PRODUCT		PCC 575 CMY			
PIC. NO.		13-0003-01-02-00			
EDIT		FILE NO.	GS-EXP-029A	PAGE NO.	8/22
CHECK		VERSION	A	DATE	2006. 10. 21
APPROVE		ECN NO.		DATE	



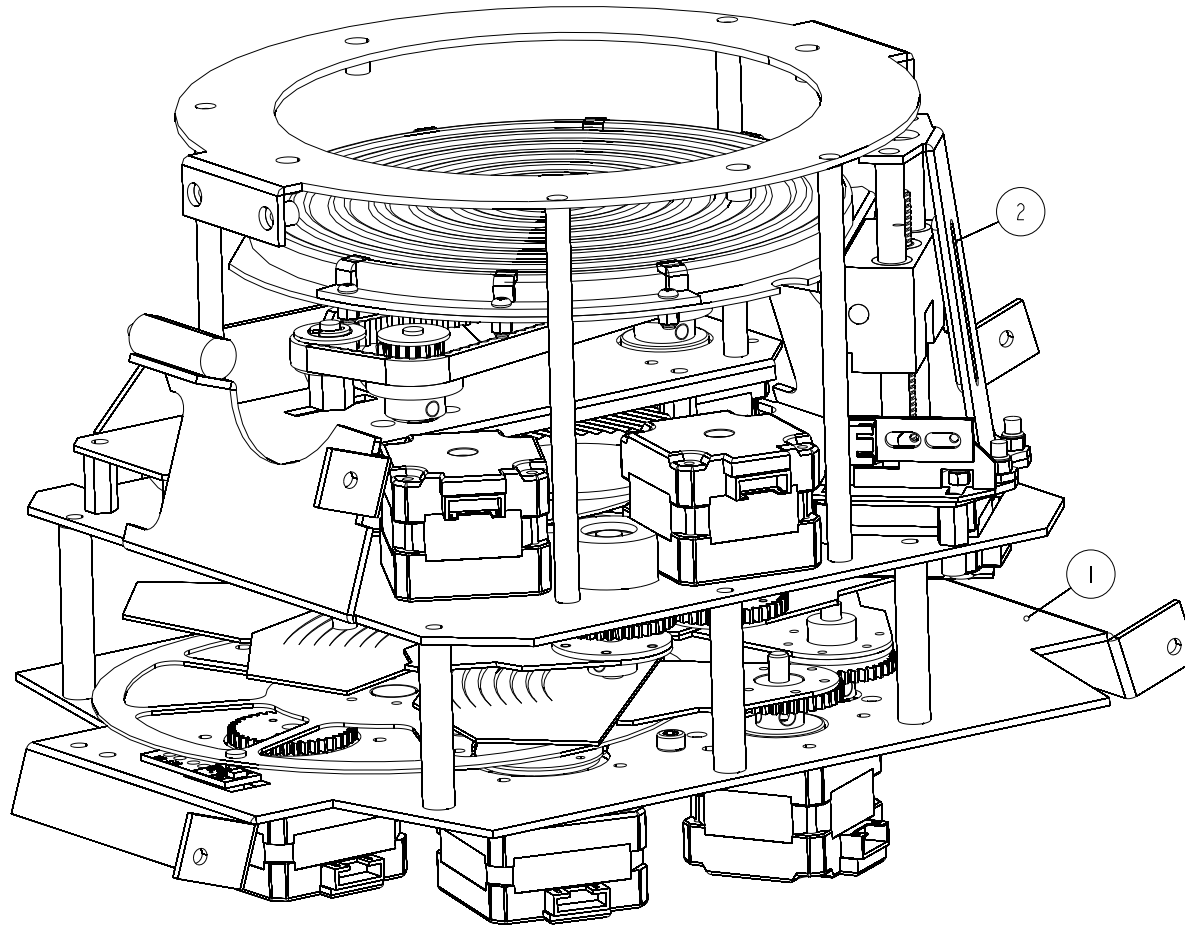
PRODUCT		PCC 575 CMY			
PIC. NO.		13-0003-01-03-00			
EDIT		FILE NO.	GS-EXP-029A	PAGE NO.	9/22
CHECK		VERSION	A	DATE	2006. 10. 21
APPROVE		ECN NO.		DATE	



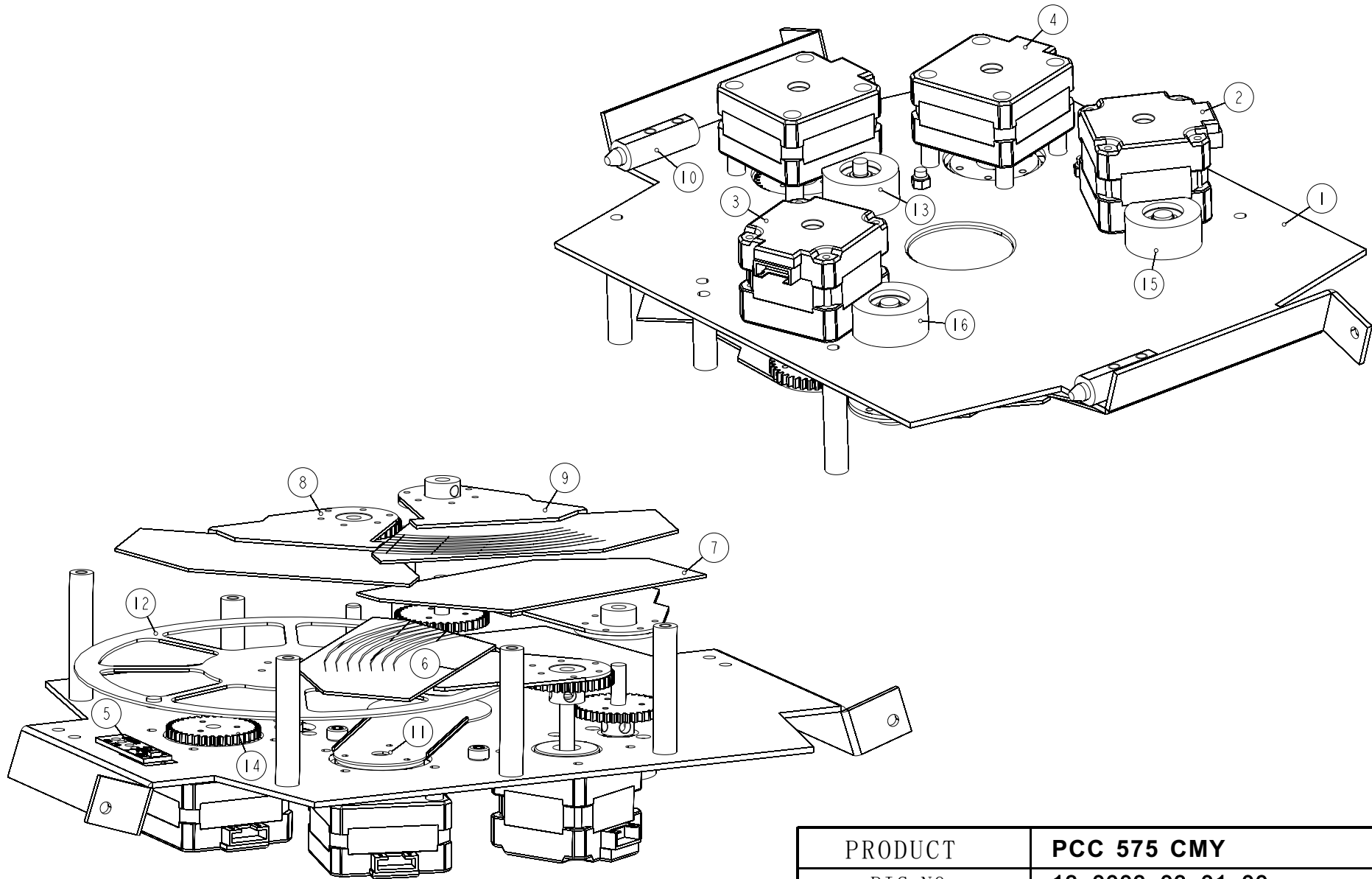
PRODUCT		PCC 575 CMY			
PIC. NO.		07k5-01-08-B_A00			
EDIT		FILE NO.	GS-EXP-029A	PAGE NO.	10/22
CHECK		VERSION	A	DATE	2006. 10. 21
APPROVE		ECN NO.		DATE	



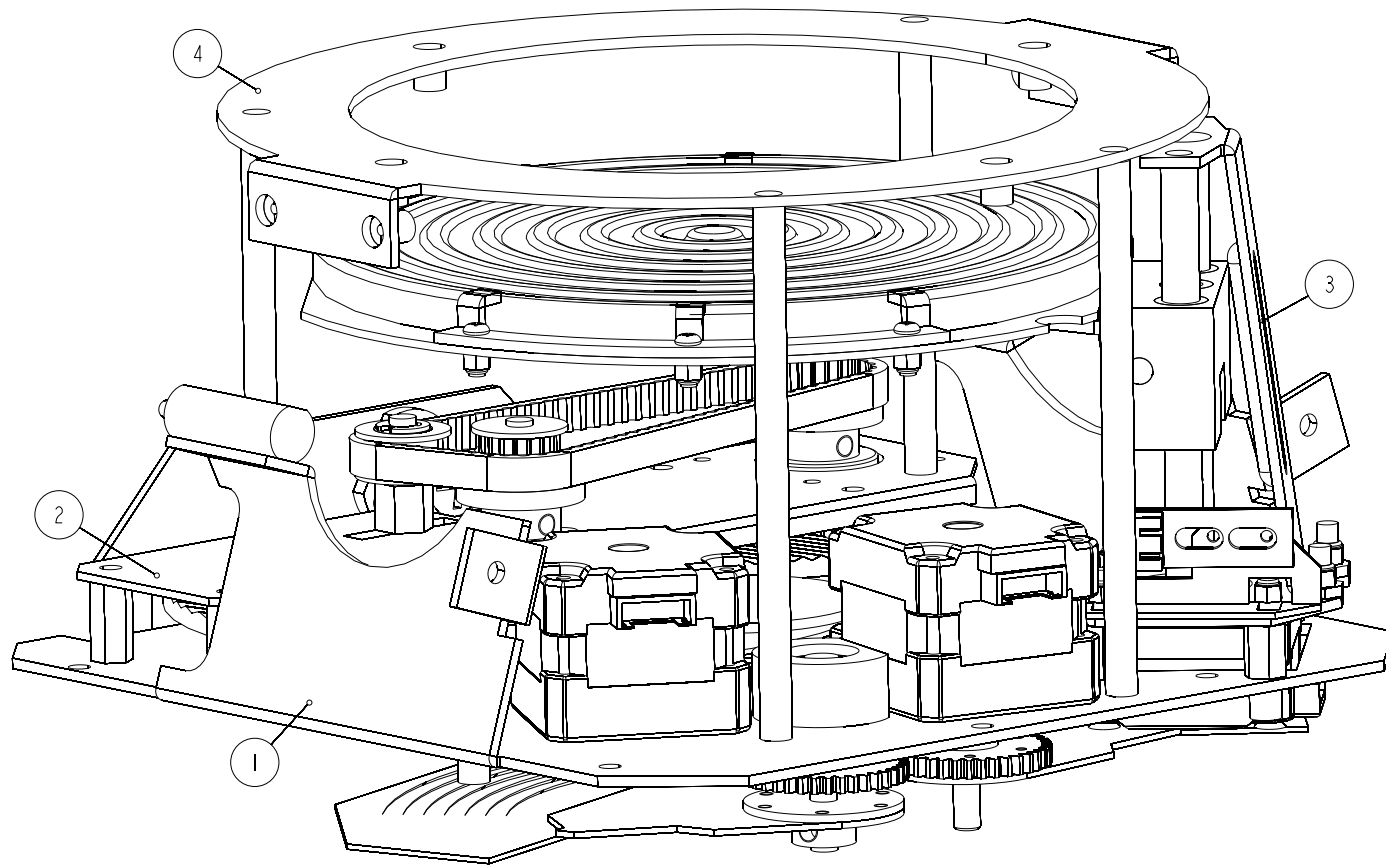
PRODUCT		PCC 575 CMY			
PIC. NO.		13-0003-02-00-00			
EDIT		FILE NO.	GS-EXP-029A	PAGE NO.	11/22
CHECK		VERSION	A	DATE	2006. 10. 21
APPROVE		ECN NO.		DATE	



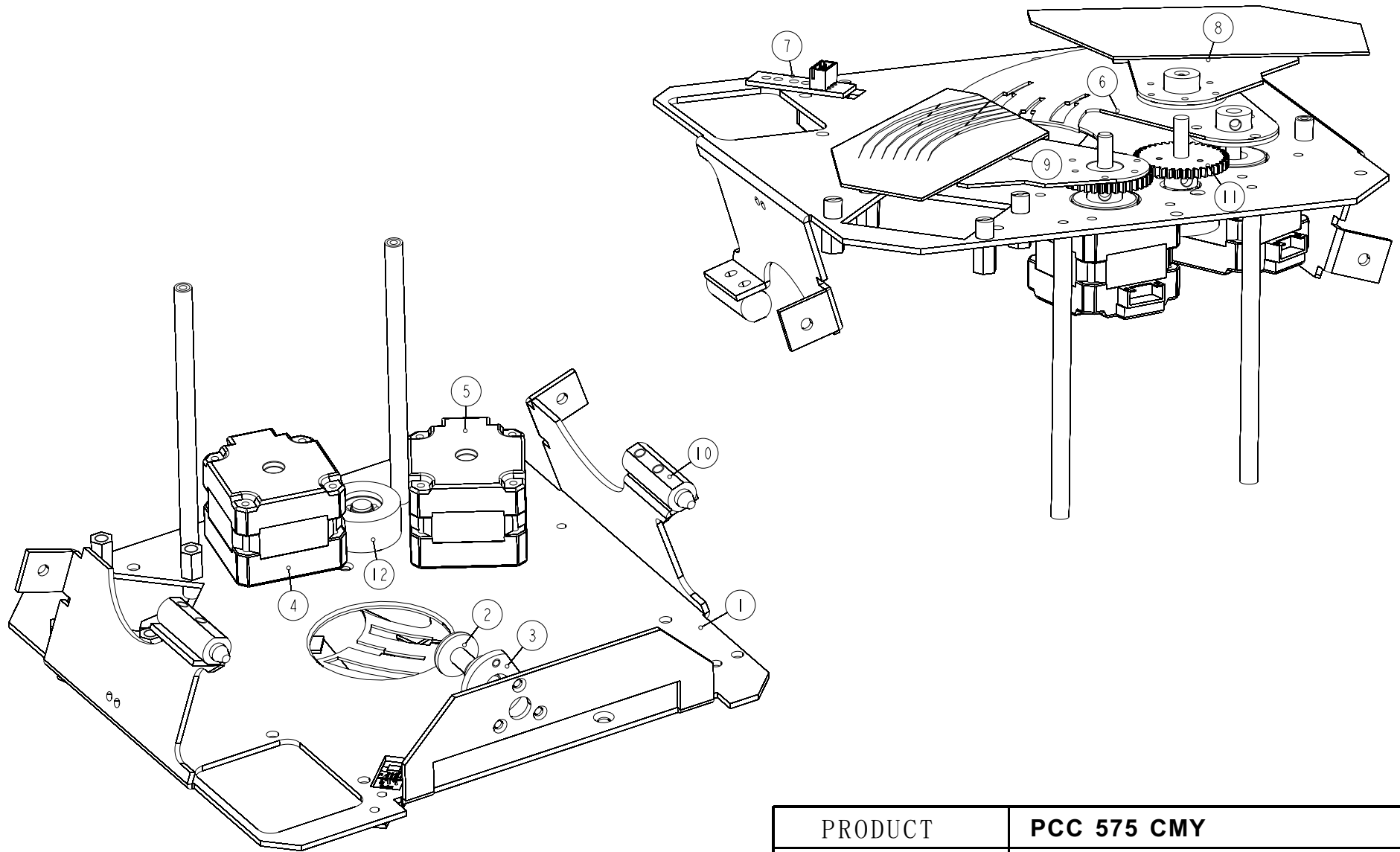
PRODUCT		PCC 575 CMY			
PIC. NO.		13-0003-03-00-00			
EDIT		FILE NO.	GS-EXP-029A	PAGE NO.	12/22
CHECK		VERSION	A	DATE	2006. 10. 21
APPROVE		ECN NO.		DATE	



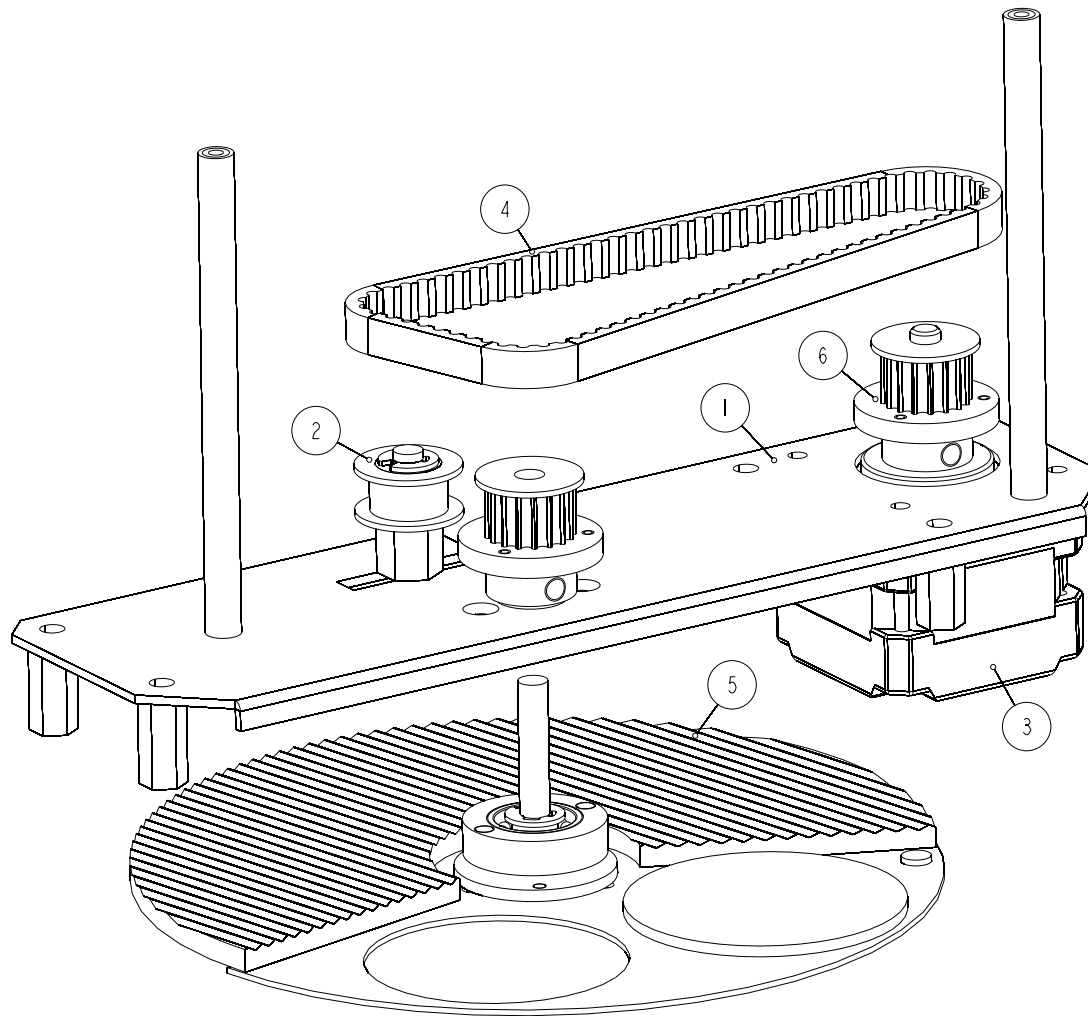
PRODUCT		PCC 575 CMY			
PIC. NO.		13-0003-03-01-00			
EDIT		FILE NO.	GS-EXP-029A	PAGE NO.	13/22
CHECK		VERSION	A	DATE	2006. 10. 21
APPROVE		ECN NO.		DATE	



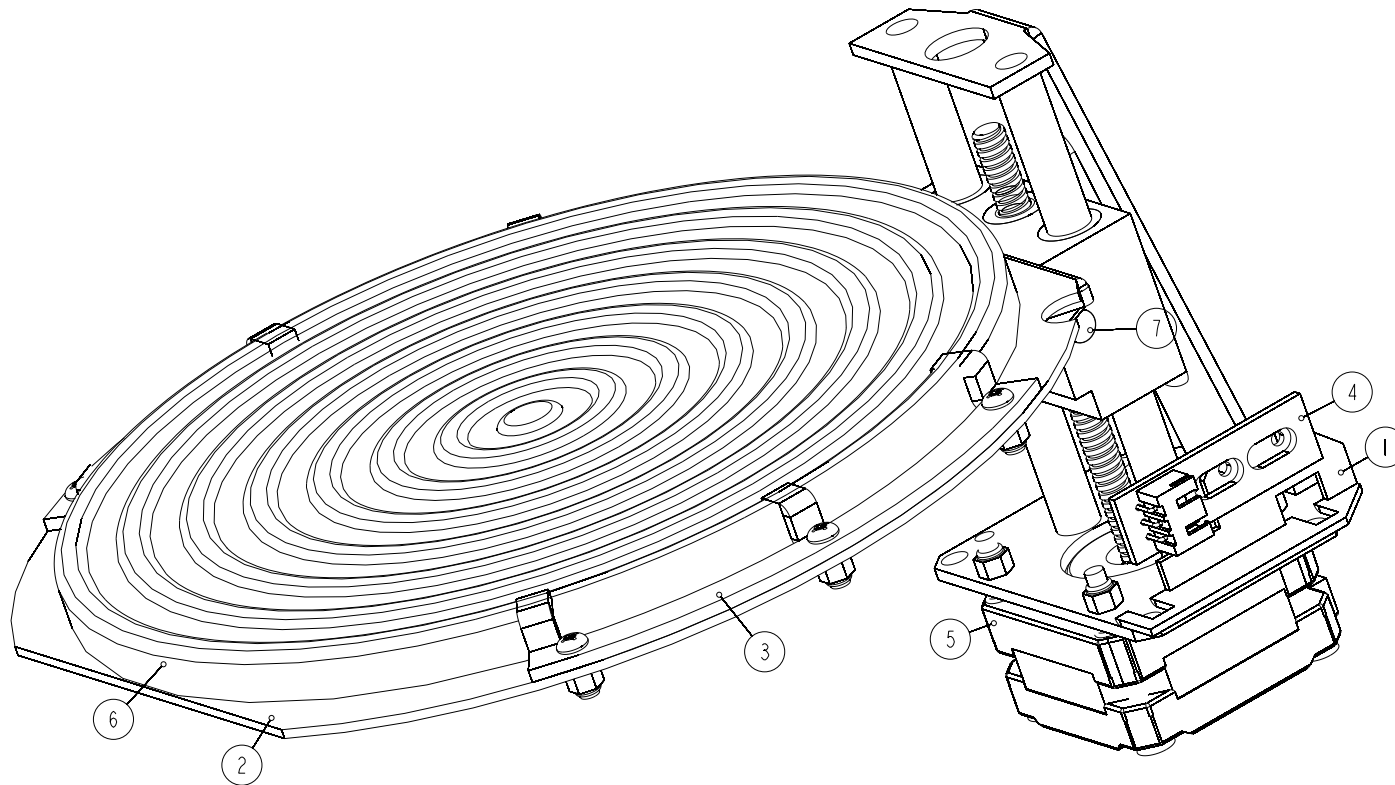
PRODUCT		PCC 575 CMY			
PIC. NO.		13-0003-03-02-00			
EDIT		FILE NO.	GS-EXP-029A	PAGE NO.	14/22
CHECK		VERSION	A	DATE	2006. 10. 21
APPROVE		ECN NO.		DATE	



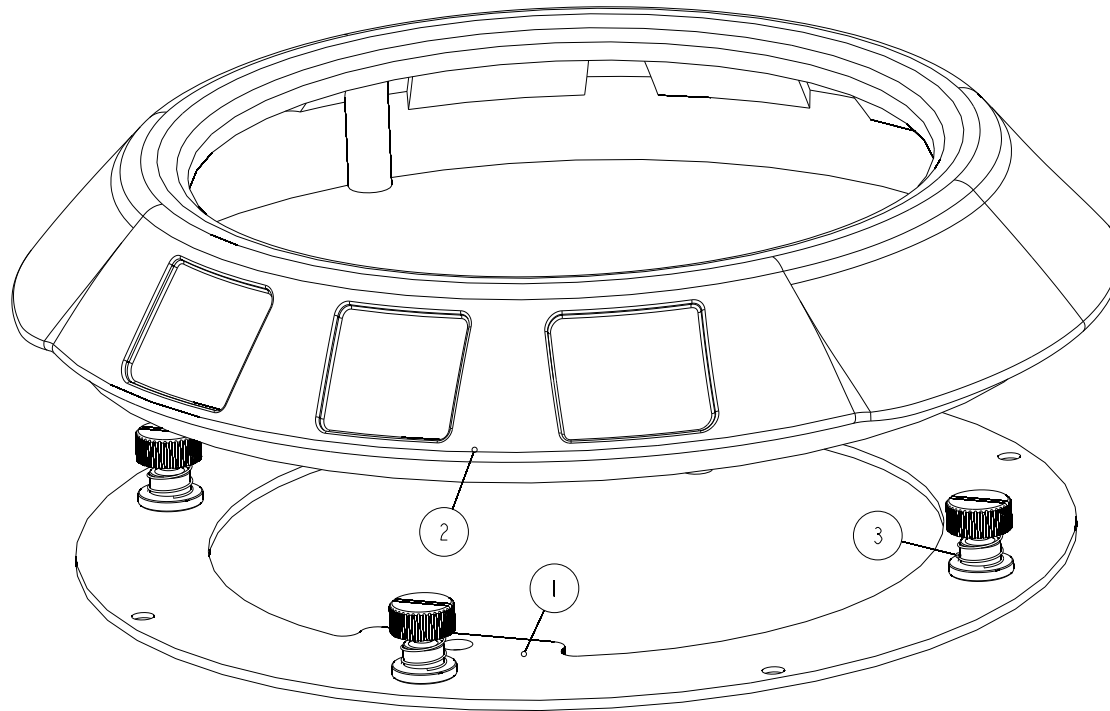
PRODUCT		PCC 575 CMY			
PIC. NO.		13-0003-03-02-01			
EDIT		FILE NO.	GS-EXP-029A	PAGE NO.	15/22
CHECK		VERSION	A	DATE	2006. 10. 21
APPROVE		ECN NO.		DATE	



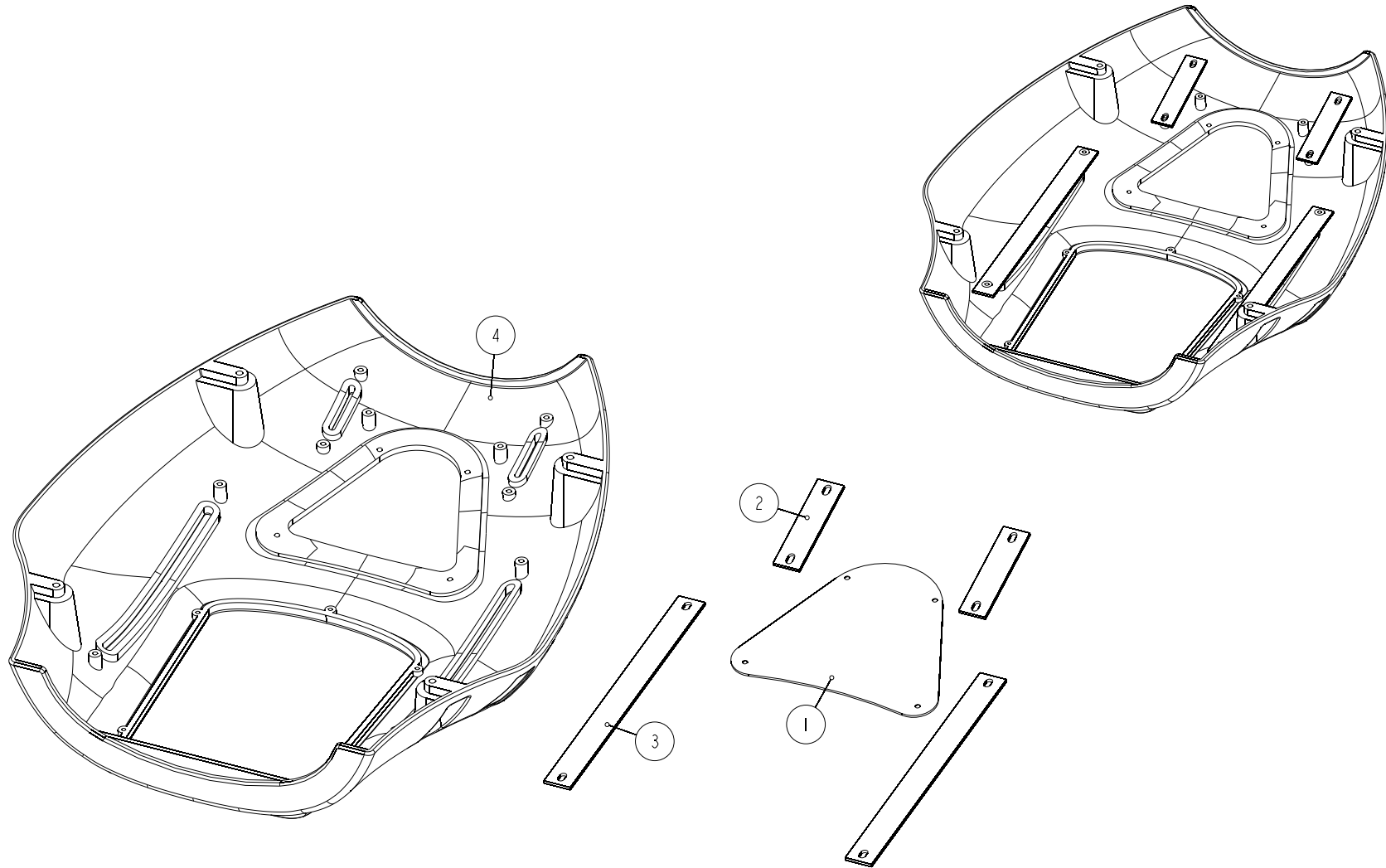
PRODUCT		PCC 575 CMY			
PIC. NO.		13-0003-03-02-02			
EDIT		FILE NO.	GS-EXP-029A	PAGE NO.	16/22
CHECK		VERSION	A	DATE	2006. 10. 21
APPROVE		ECN NO.		DATE	



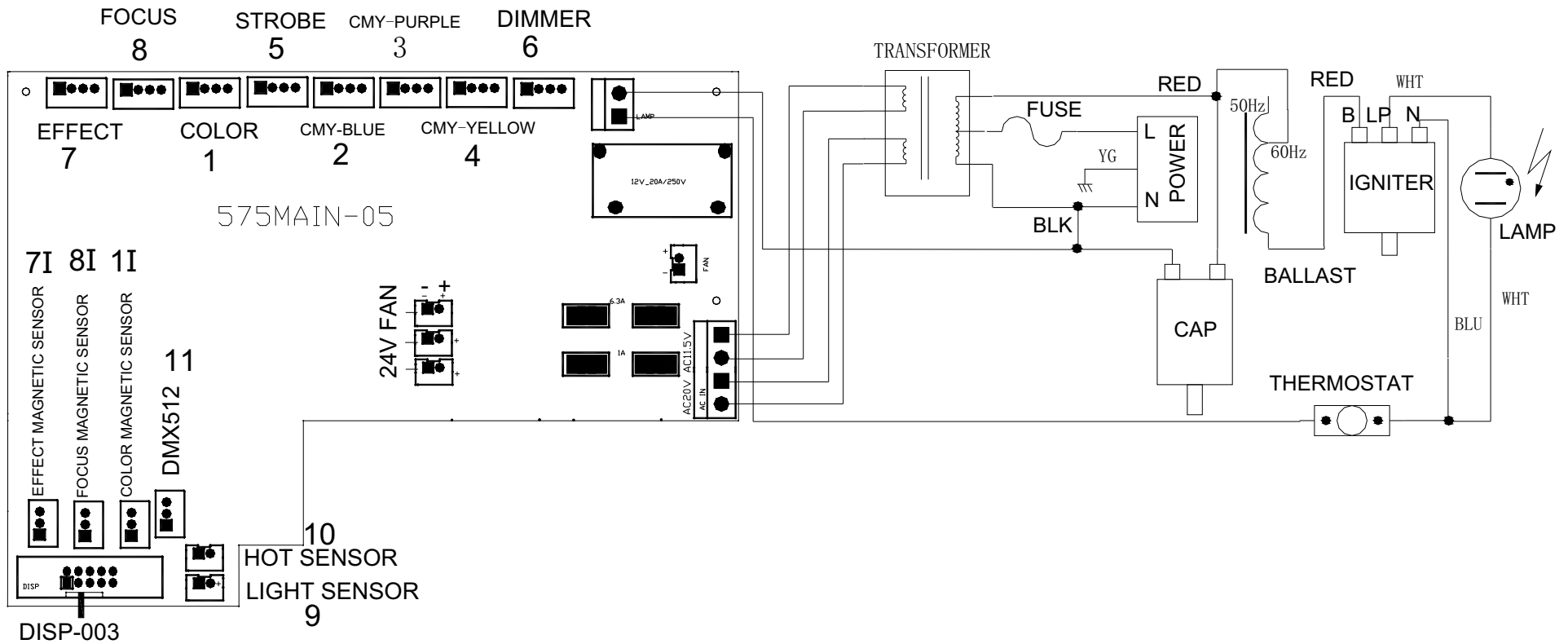
PRODUCT		PCC 575 CMY			
PIC. NO.		13-0003-03-02-03			
EDIT		FILE NO.	GS-EXP-029A	PAGE NO.	17/22
CHECK		VERSION	A	DATE	2006. 10. 21
APPROVE		ECN NO.		DATE	



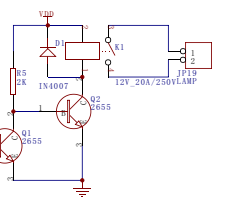
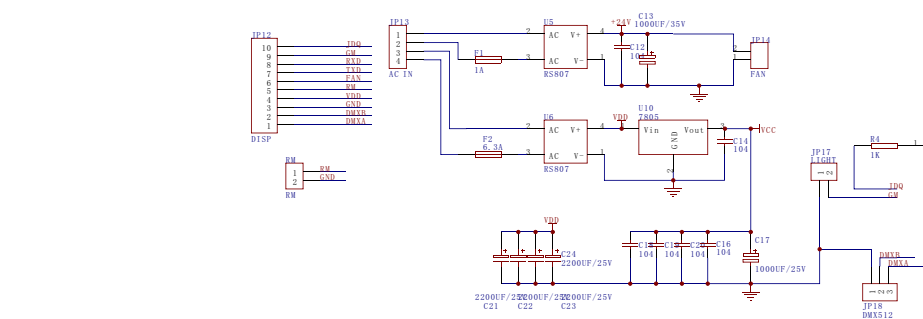
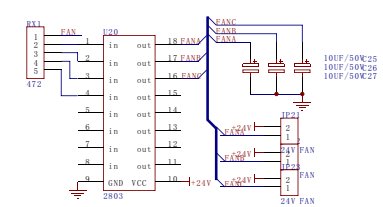
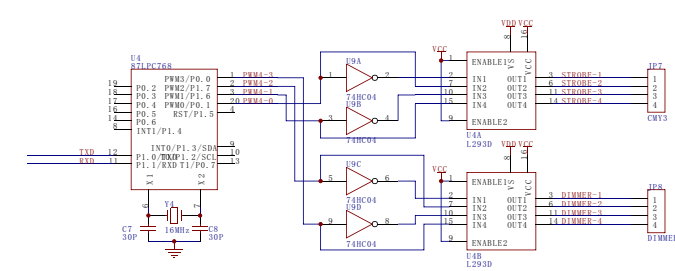
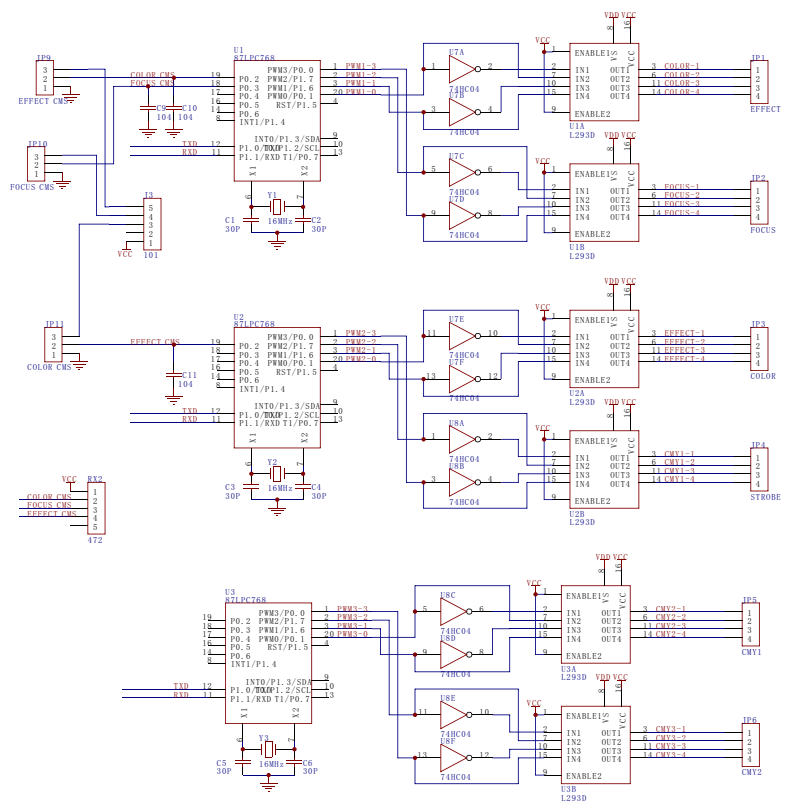
PRODUCT		PCC 575 CMY			
PIC. NO.		13-0003-04-00-00			
EDIT		FILE NO.	GS-EXP-029A	PAGE NO.	18/22
CHECK		VERSION	A	DATE	2006. 10. 21
APPROVE		ECN NO.		DATE	



PRODUCT		PCC 575 CMY			
PIC. NO.		13-0003-05-00-00			
EDIT		FILE NO.	GS-EXP-029A	PAGE NO.	19/22
CHECK		VERSION	A	DATE	2006. 10. 21
APPROVE		ECN NO.		DATE	



PRODUCT		PCC 575 CMY			
PIC. NO.		CC-575 CMY ELECTRIC			
EDIT		FILE NO.	GS-WIJL-055	PAGE NO.	20/22
CHECK		VERSION	B	DATE	2006. 10. 21
APPROVE		ECN NO.		DATE	



PRODUCT		PCC 575 CMY			
PIC. NO.		575MAIN-05 SCHEME			
EDIT		FILE NO.	GS-WIDL-032	PAGE NO.	21/22
CHECK		VERSION	NR	DATE	2006. 10. 21
APPROVE		ECN NO.		DATE	

