

**Futurelight<sup>®</sup>**

**PCC-250**

**Professional color changer**

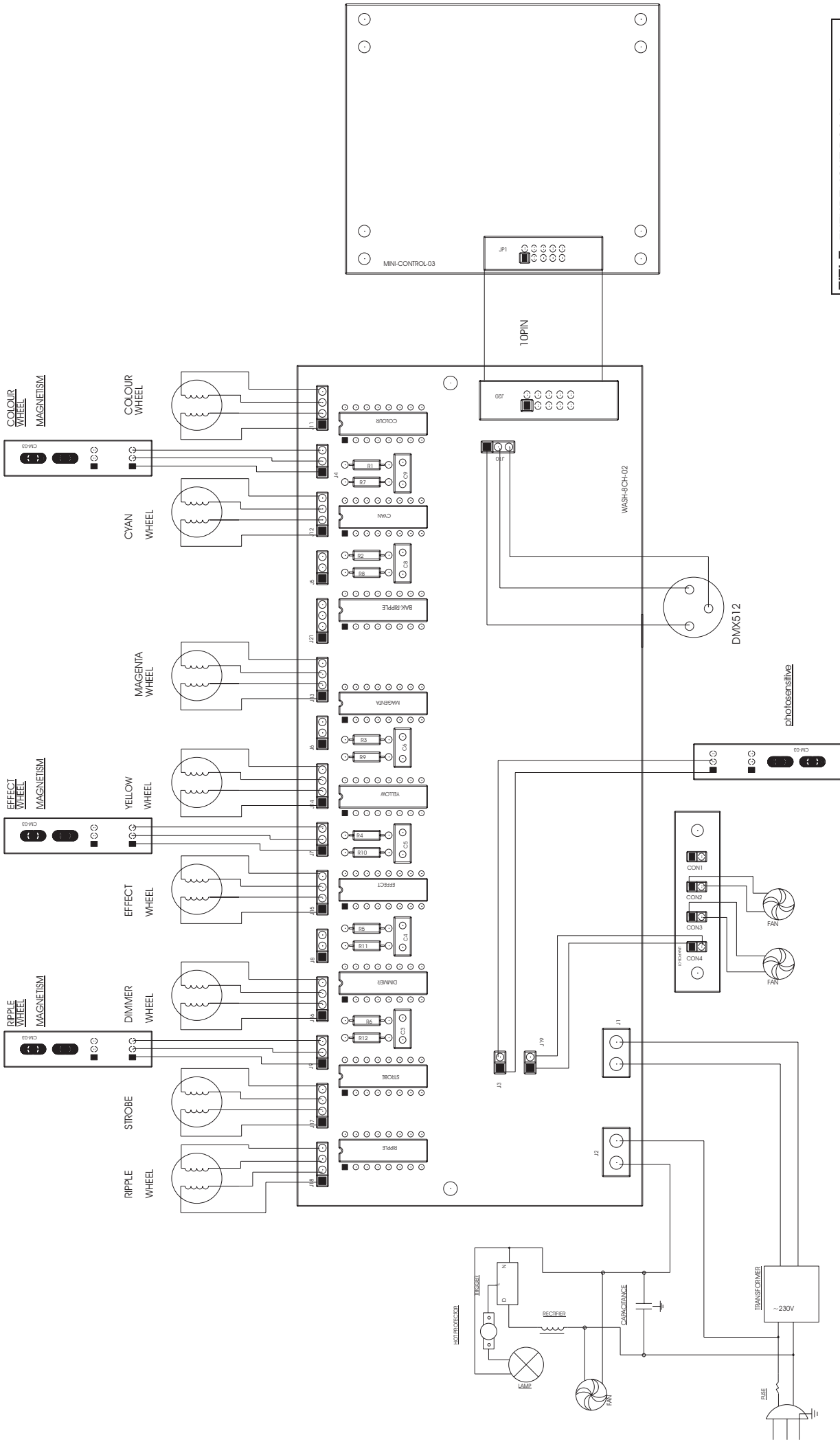
**Service-Dokumente**

**Service-documents**

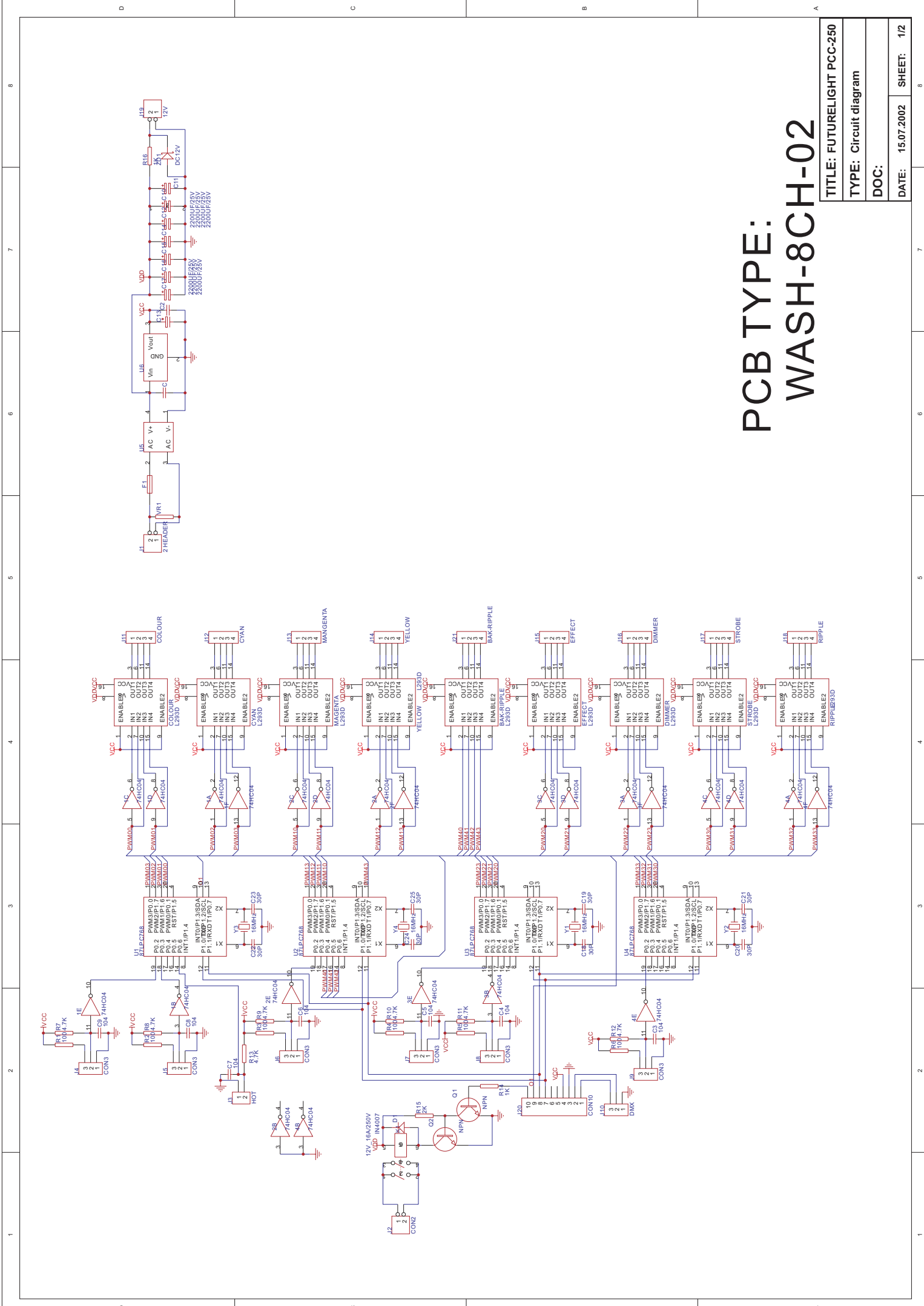
**Documents de service**

**Documentos de servicio**

**Version 1.1**

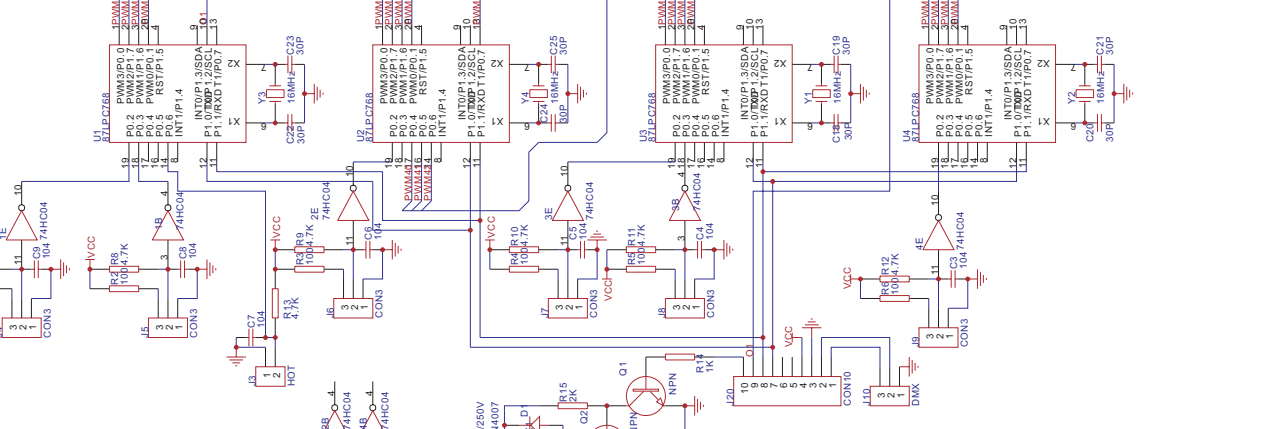
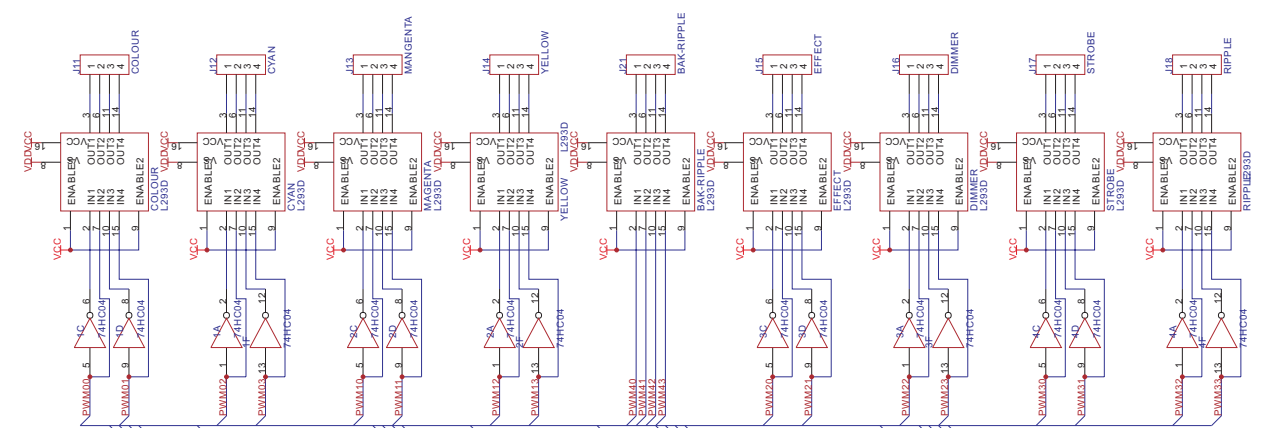
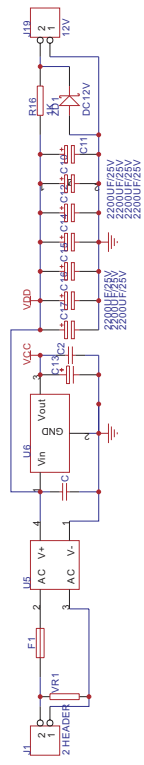


<b>TITLE:</b> FUTURELIGHT PCC-250	
<b>TYPE:</b> Block diagram	
<b>DOC:</b> electronicdiagram.dwg	
<b>DATE:</b> 15.07.2002	<b>SHEET:</b> 1/5



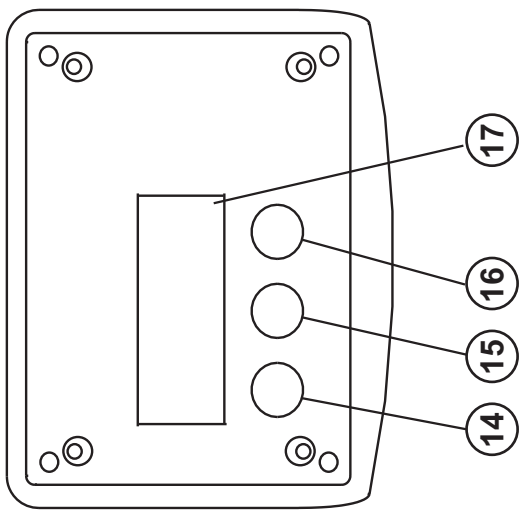
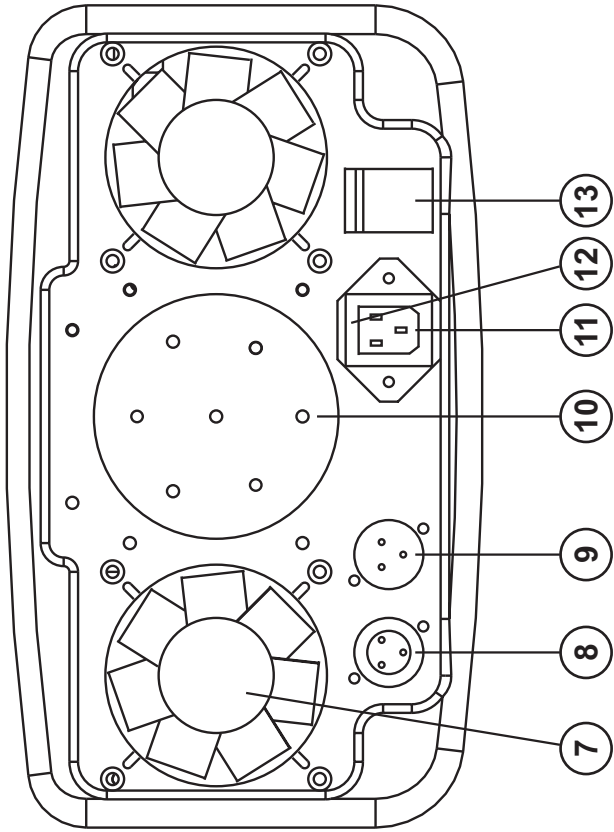
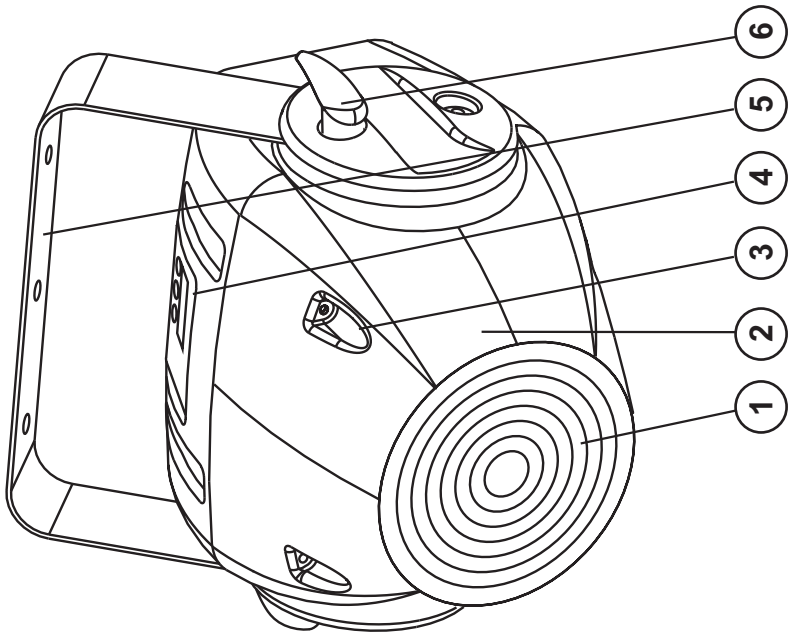
# PCB TYPE: WASH-8CH-02

TITLE: FUTURELIGHT PCC-250
TYPE: Circuit diagram
DOC:
DATE: 15.07.2002 SHEET: 1/2



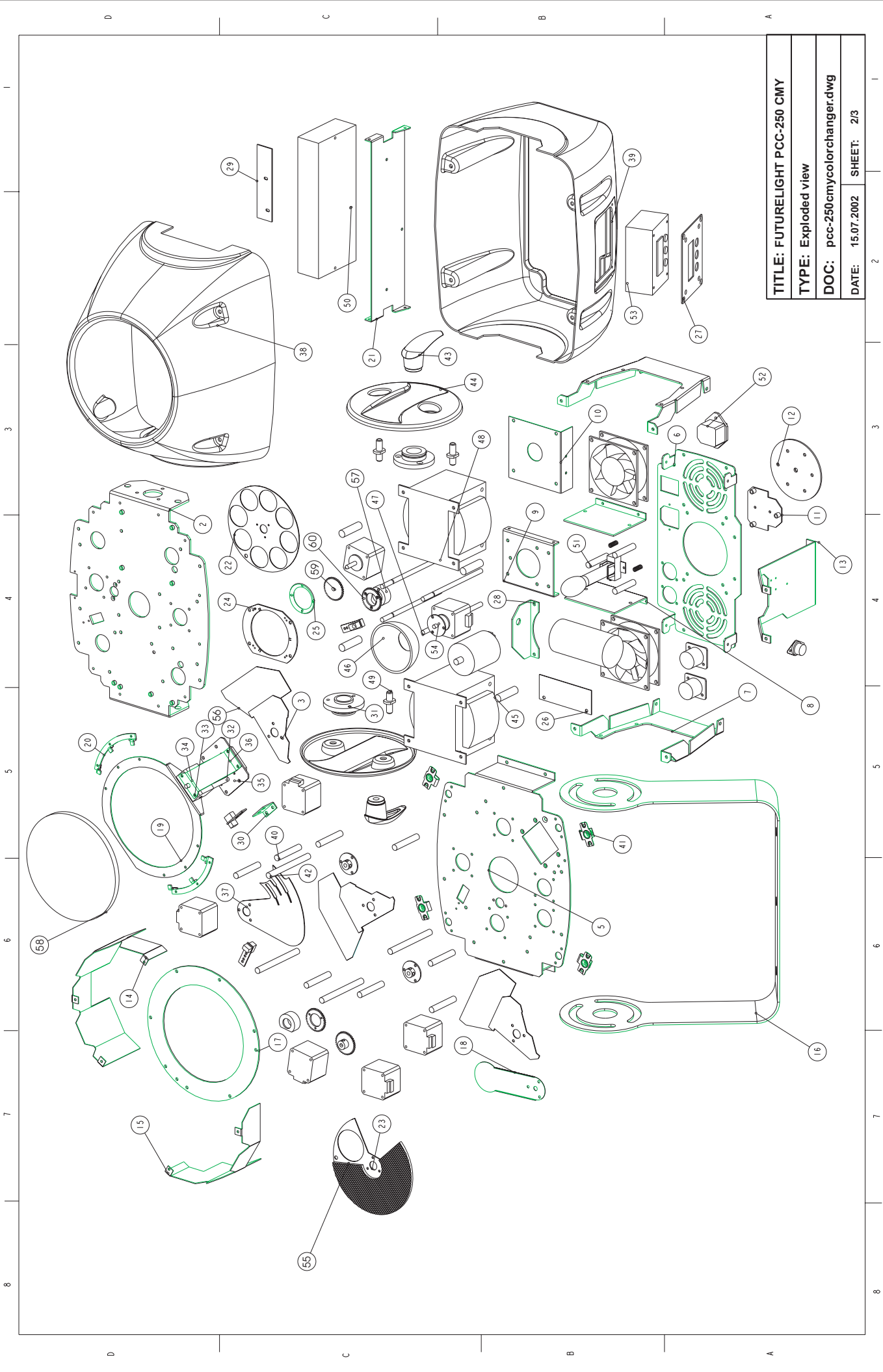






TITLE: FUTURELIGHT PCC-250	
TYPE: Exploded view	
DOC: General illustration	
DATE: 15.07.2003	SHEET: 1/3

TITLE: FUTURELIGHT PCC-250 CMY
TYPE: Exploded view
DOC: pcc-250cmycolorchanger.dwg
DATE: 15.07.2002 SHEET: 2/3



1 2 3 4 5 6 7 8

1 2 3 4 5 6 7 8

D

C

B

A

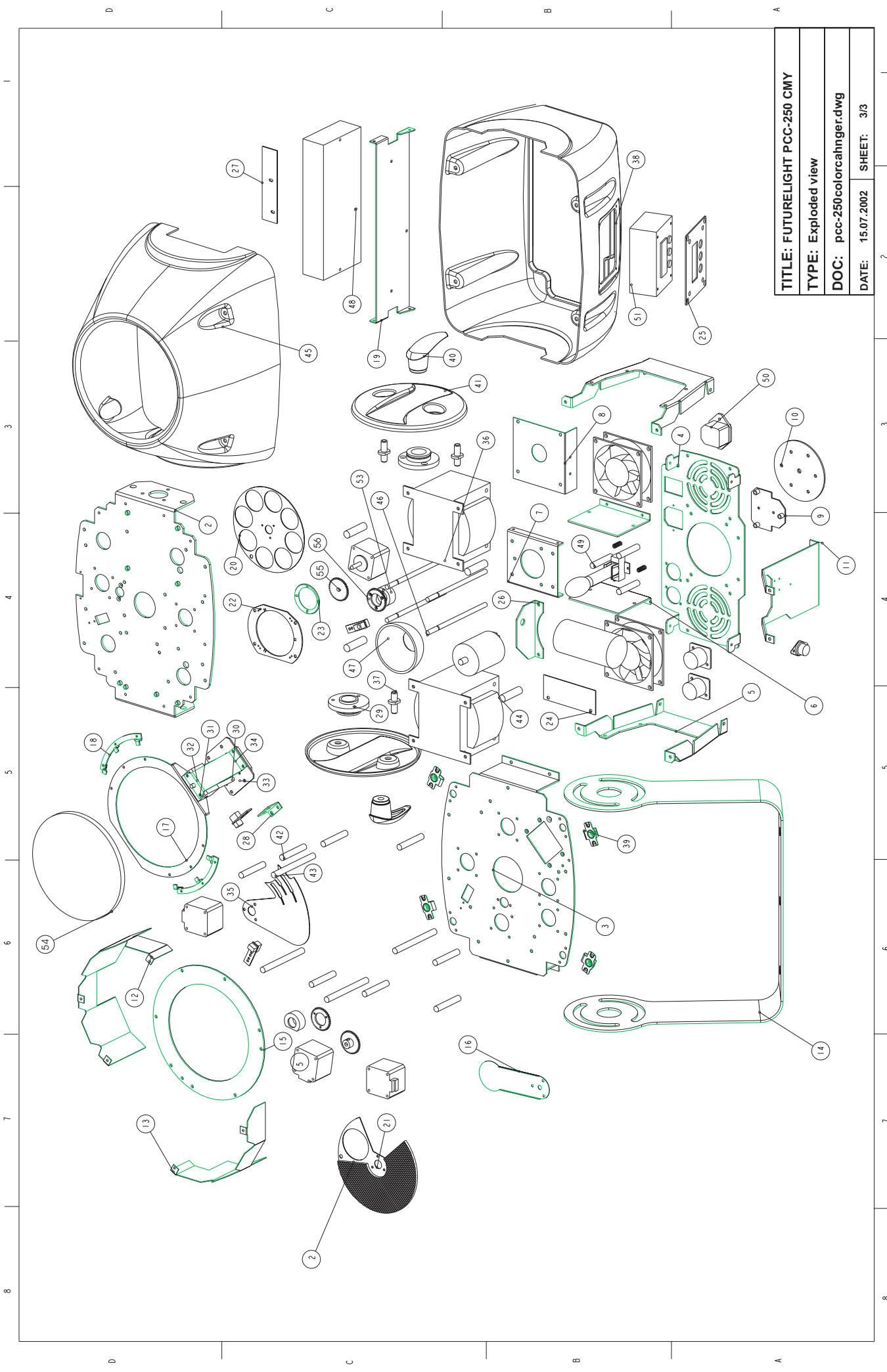
D

C

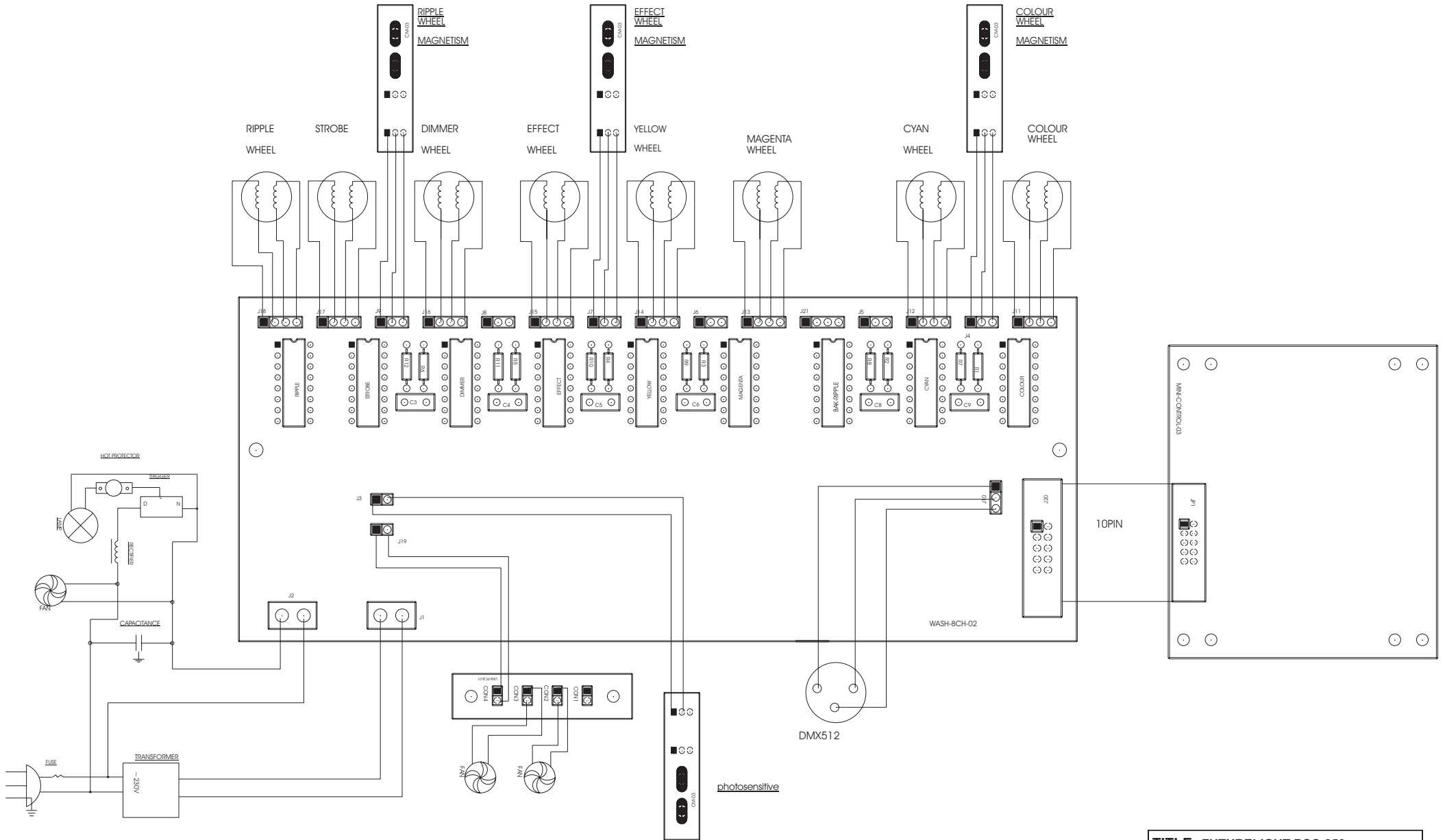
B

A

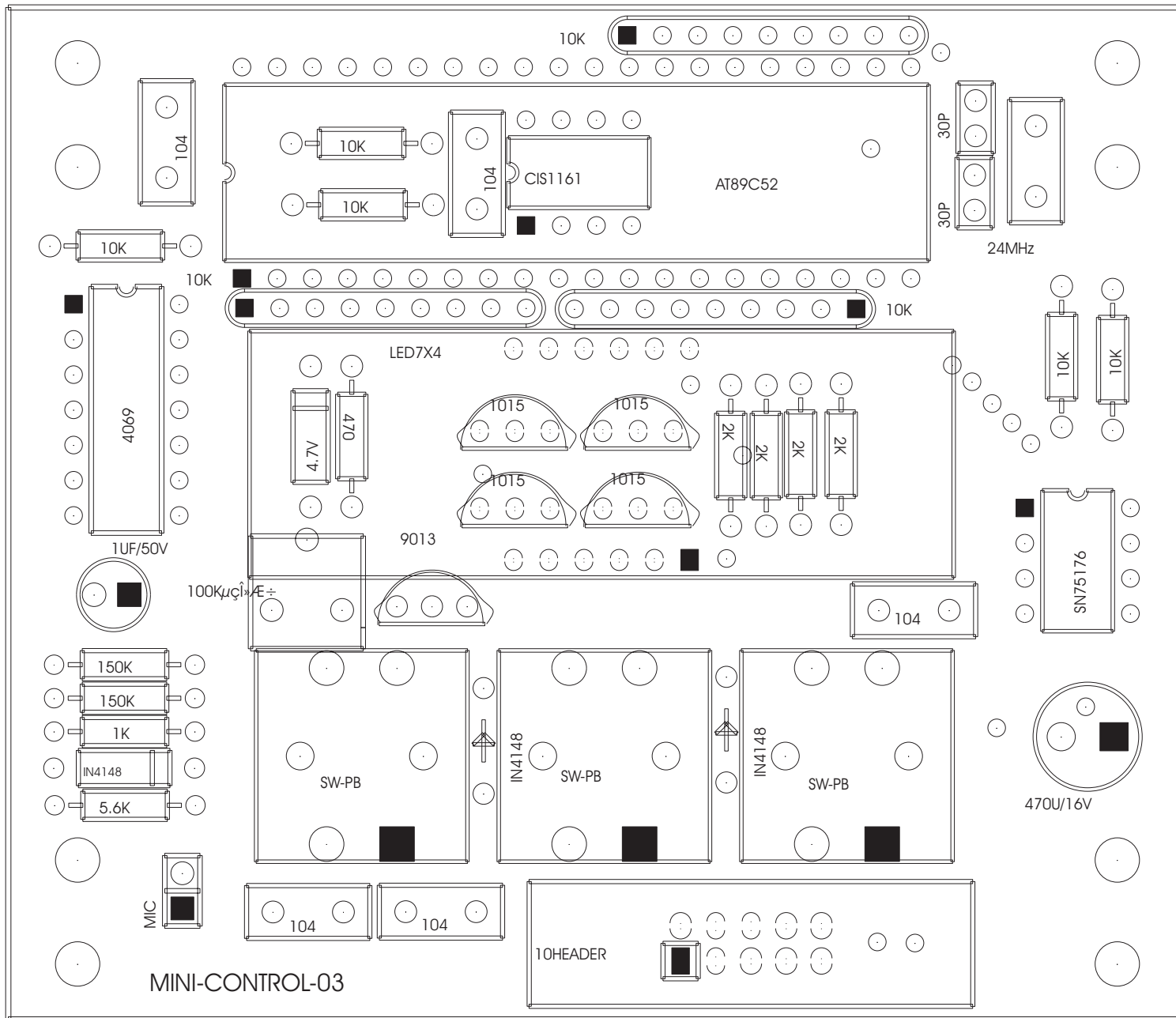
TITLE: FUTURELIGHT PCC-250 CMY
TYPE: Exploded view
DOC: pcc-250colorahnger.dwg
DATE: 15.07.2002 SHEET: 3/3







<b>TITLE:</b> FUTURELIGHT PCC-250	
<b>TYPE:</b> Block diagram	
<b>DOC:</b> electronicdiagram.dwg	
<b>DATE:</b> 15.07.2002	<b>SHEET:</b> 1/5



MINI-CONTROL-03

<b>TITLE:</b> FUTURELIGHT PCC-250	
<b>TYPE:</b> Block diagram	
<b>DOC:</b> MINI-CONTROL-03pcbassembly.dwg	
<b>DATE:</b> 15.07.2002	<b>SHEET:</b> 2/5