

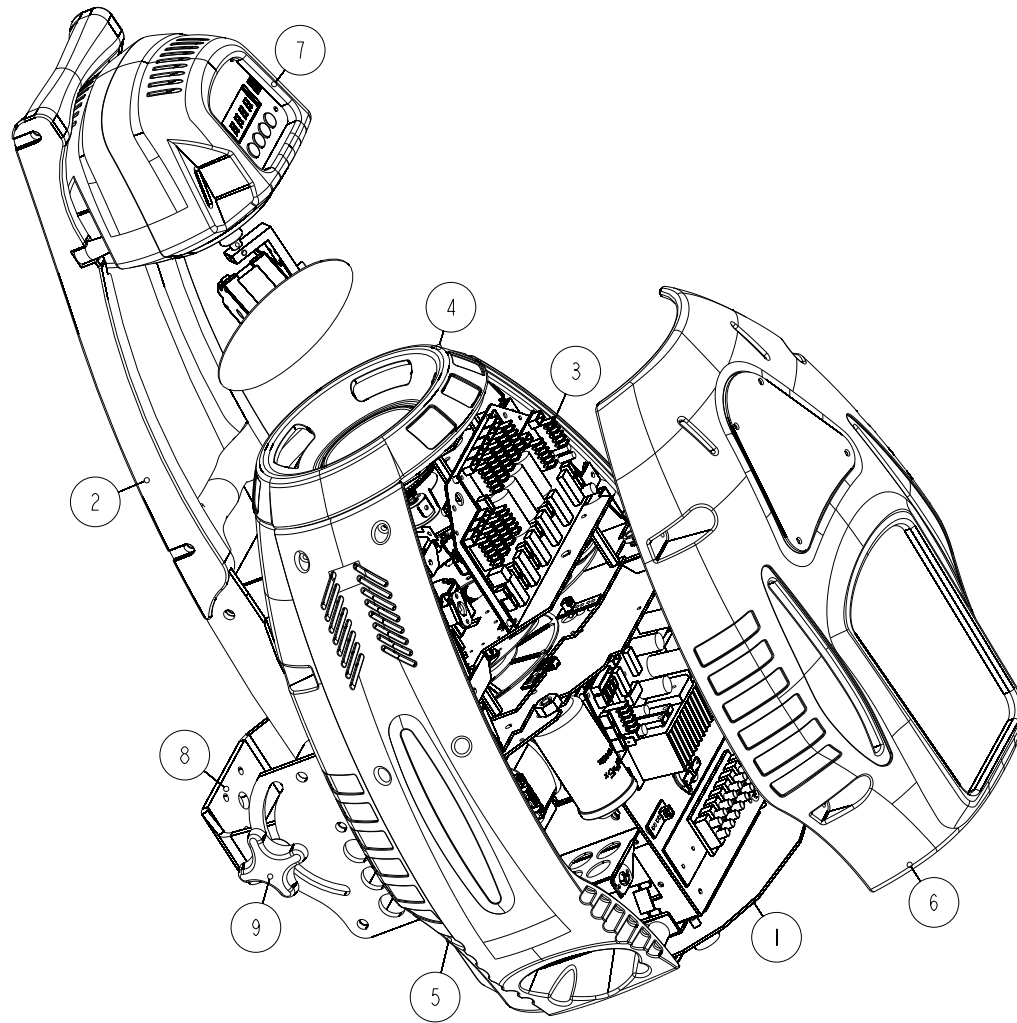
Service manual

PSX-250

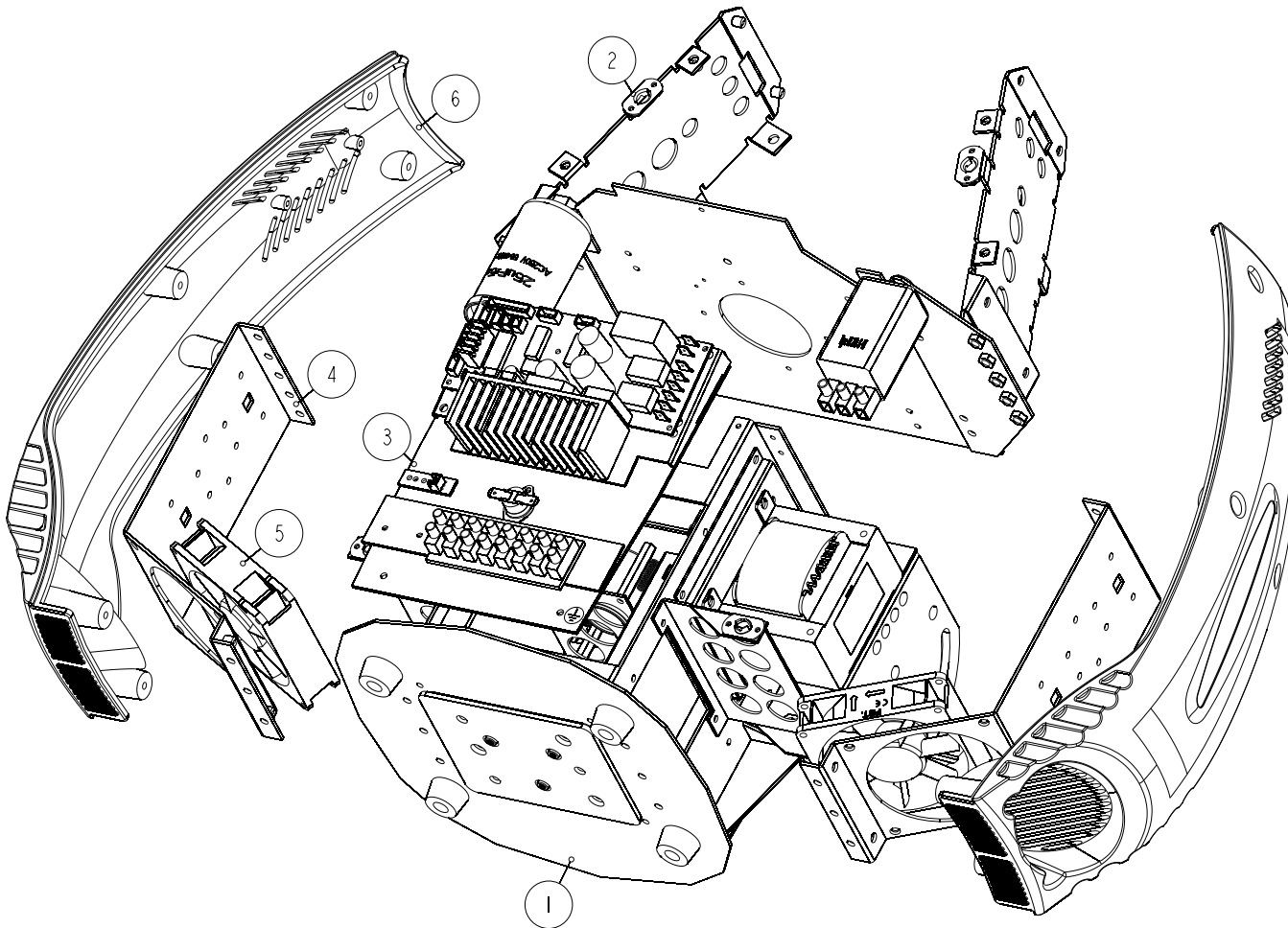
- ※ **Exploded Diagrams**
- ※ **Circuit Diagrams**
- ※ **Wiring Diagrams**
- ※ **Parts List**



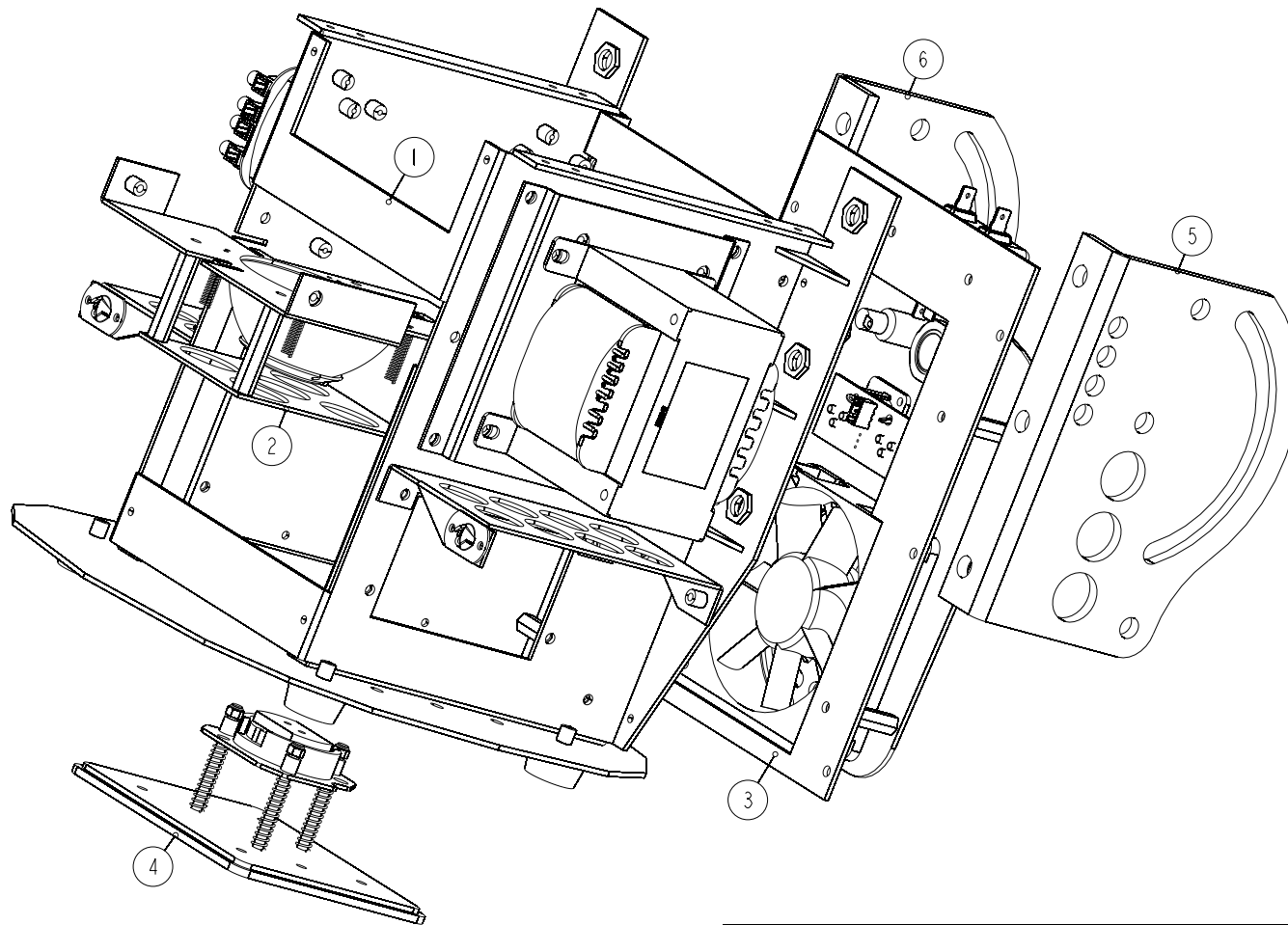
PRODUCT		PSX-250			
PIC. NO.		Front Page			
EDIT		FILE NO.	GS-EXP-072A		
CHECK		VERSION	NR	DATE	2007.01.12
APPROVE		ECN NO.		DATE	



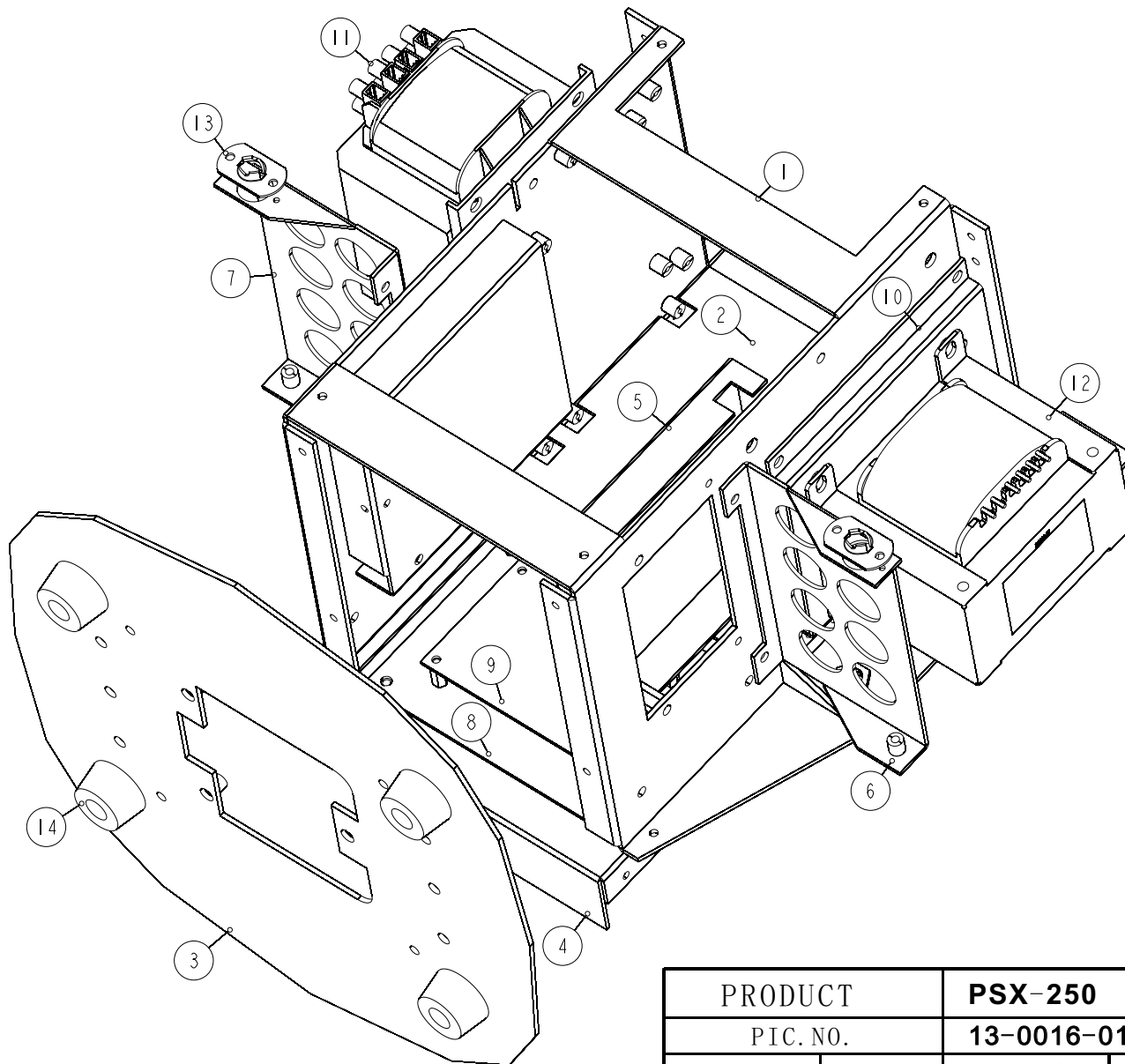
PRODUCT		PSX-250			
PIC. NO.		13-0016-00-00-00			
EDIT		FILE NO.	GS-EXP-072A	PAGE NO.	1/23
CHECK		VERSION	NR	DATE	2007.01.12
APPROVE		ECN NO.		DATE	



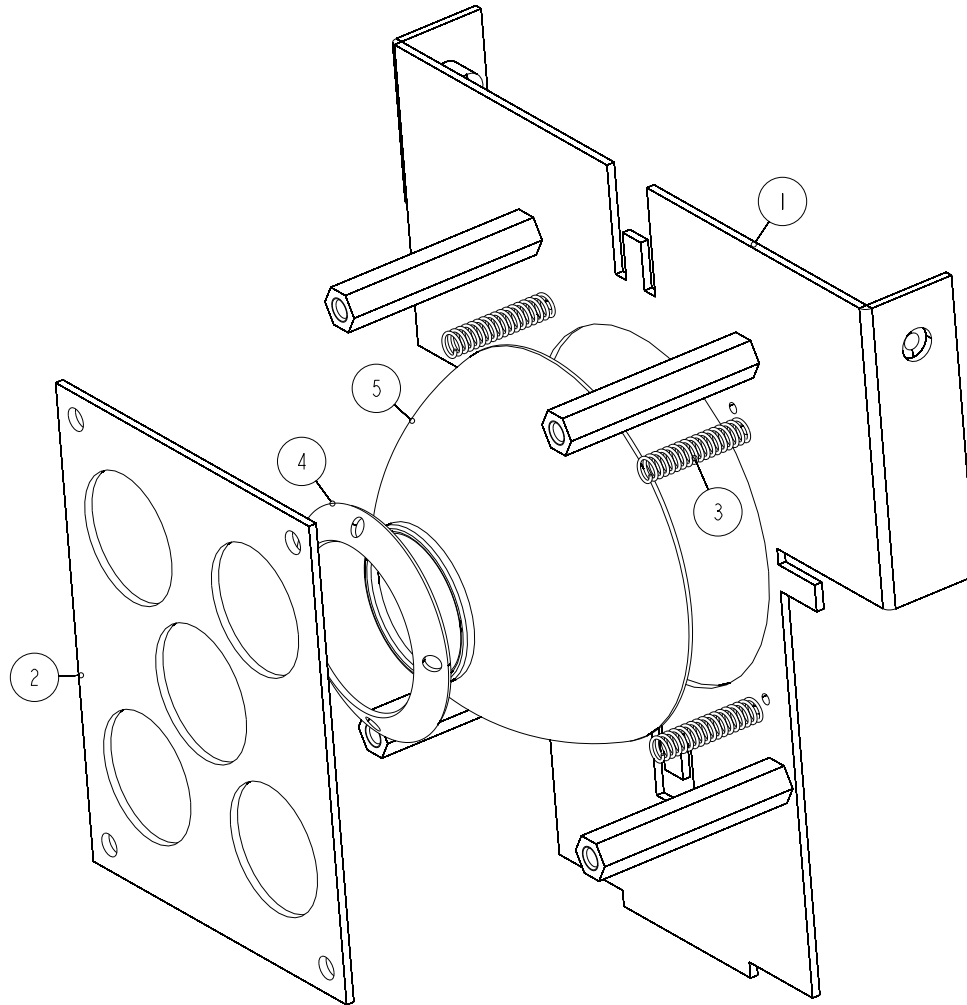
PRODUCT		PSX-250			
PIC. NO.		13-0016-01-00-00			
EDIT		FILE NO.	GS-EXP-072A	PAGE NO.	2/23
CHECK		VERSION	NR	DATE	2007.01.12
APPROVE		ECN NO.		DATE	



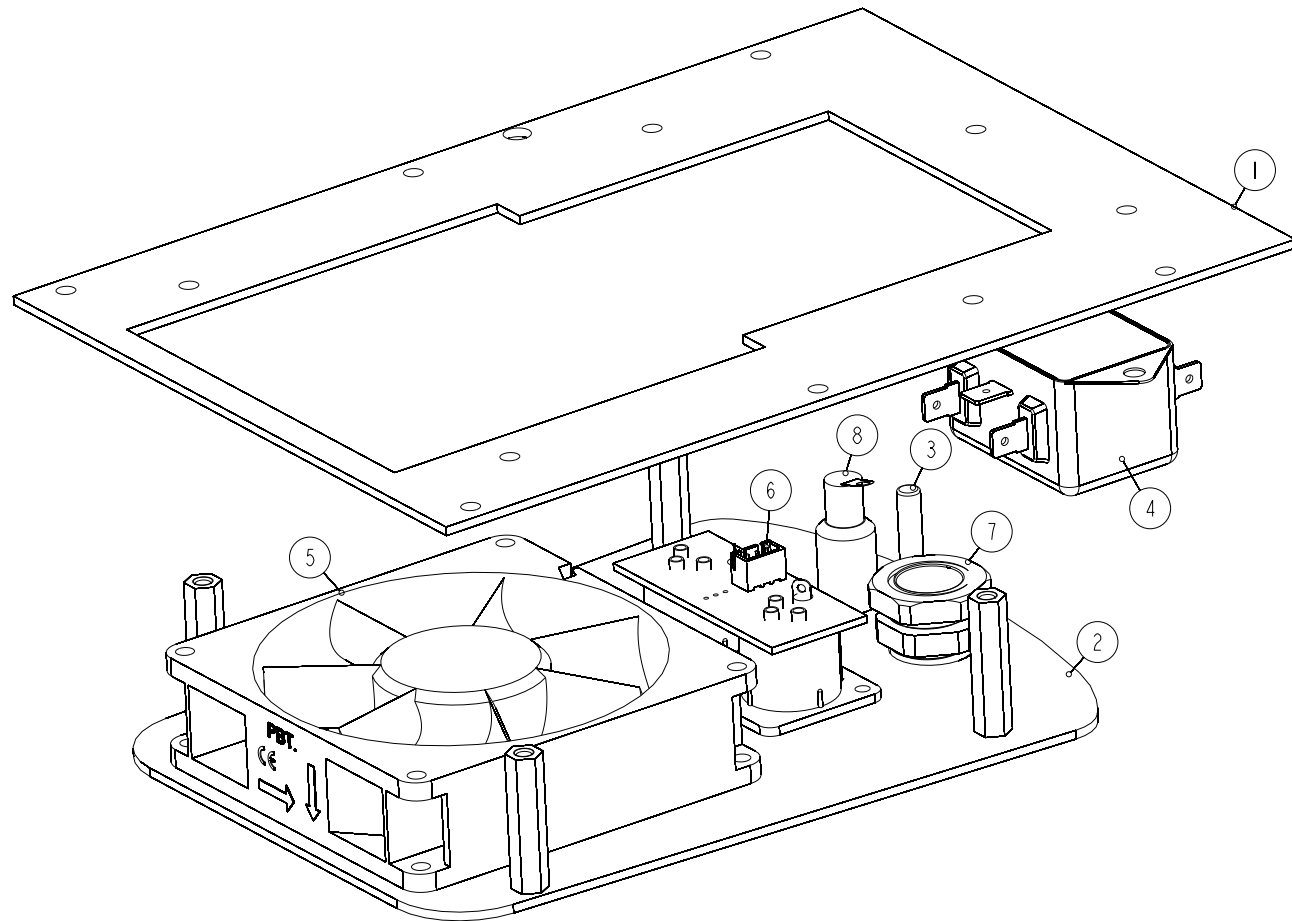
PRODUCT		PSX-250			
PIC. NO.		13-0016-01-01-00			
EDIT		FILE NO.	GS-EXP-072A	PAGE NO.	3/23
CHECK		VERSION	NR	DATE	2007.01.12
APPROVE		ECN NO.		DATE	



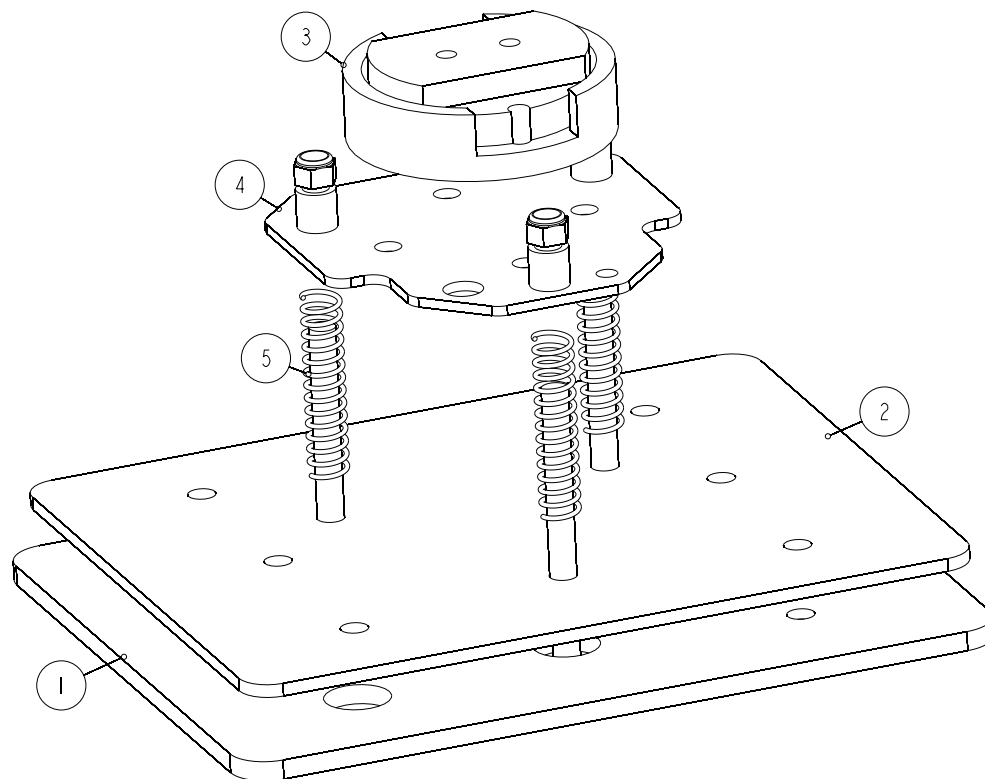
PRODUCT		PSX-250			
PIC. NO.		13-0016-01-01-01			
EDIT		FILE NO.	GS-EXP-072A	PAGE NO.	4/23
CHECK		VERSION	NR	DATE	2007.01.12
APPROVE		ECN NO.		DATE	



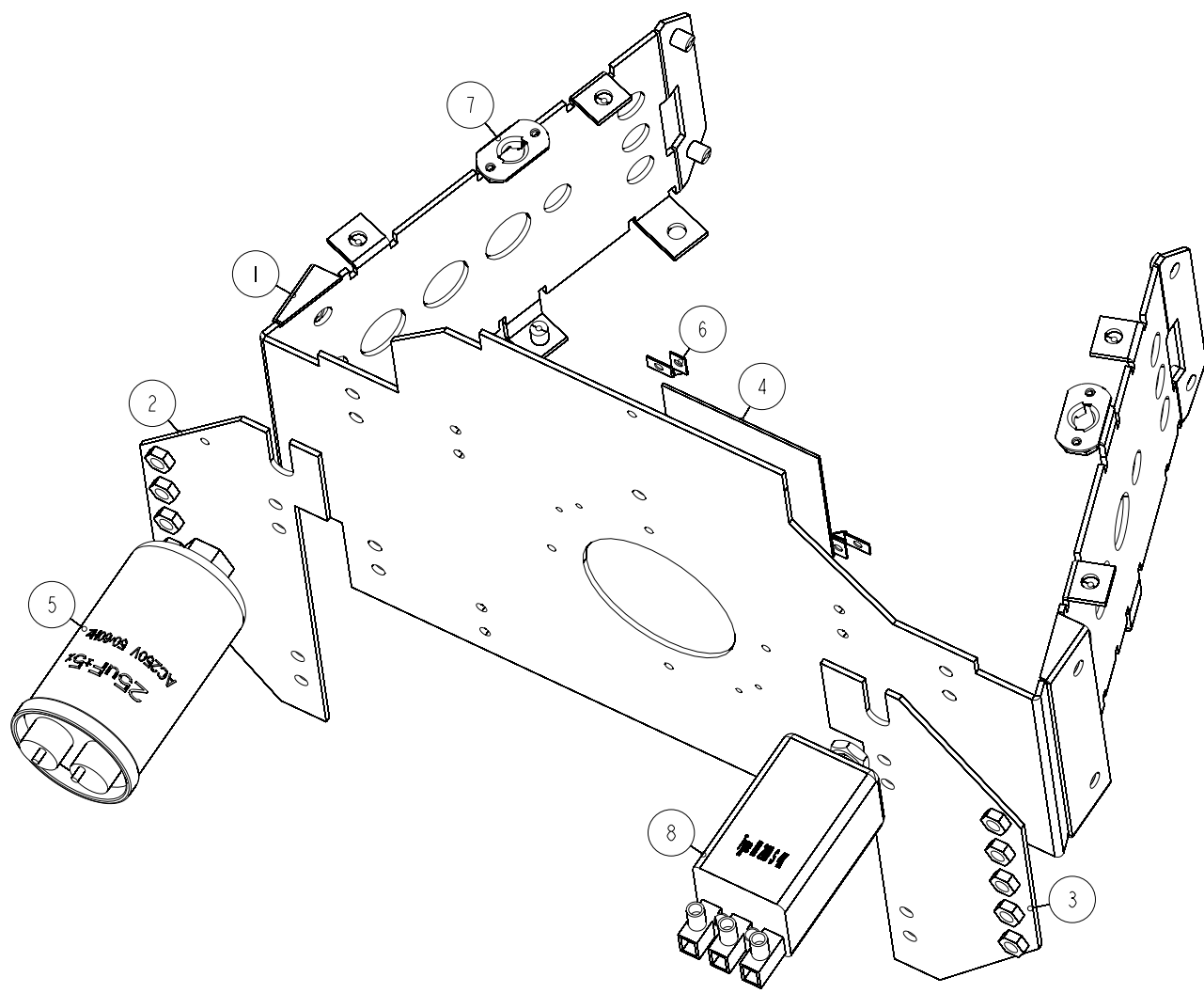
PRODUCT		PSX-250			
PIC. NO.		13-0016-01-01-02			
EDIT		FILE NO.	GS-EXP-072A	PAGE NO.	5/23
CHECK		VERSION	NR	DATE	2007.01.12
APPROVE		ECN NO.		DATE	



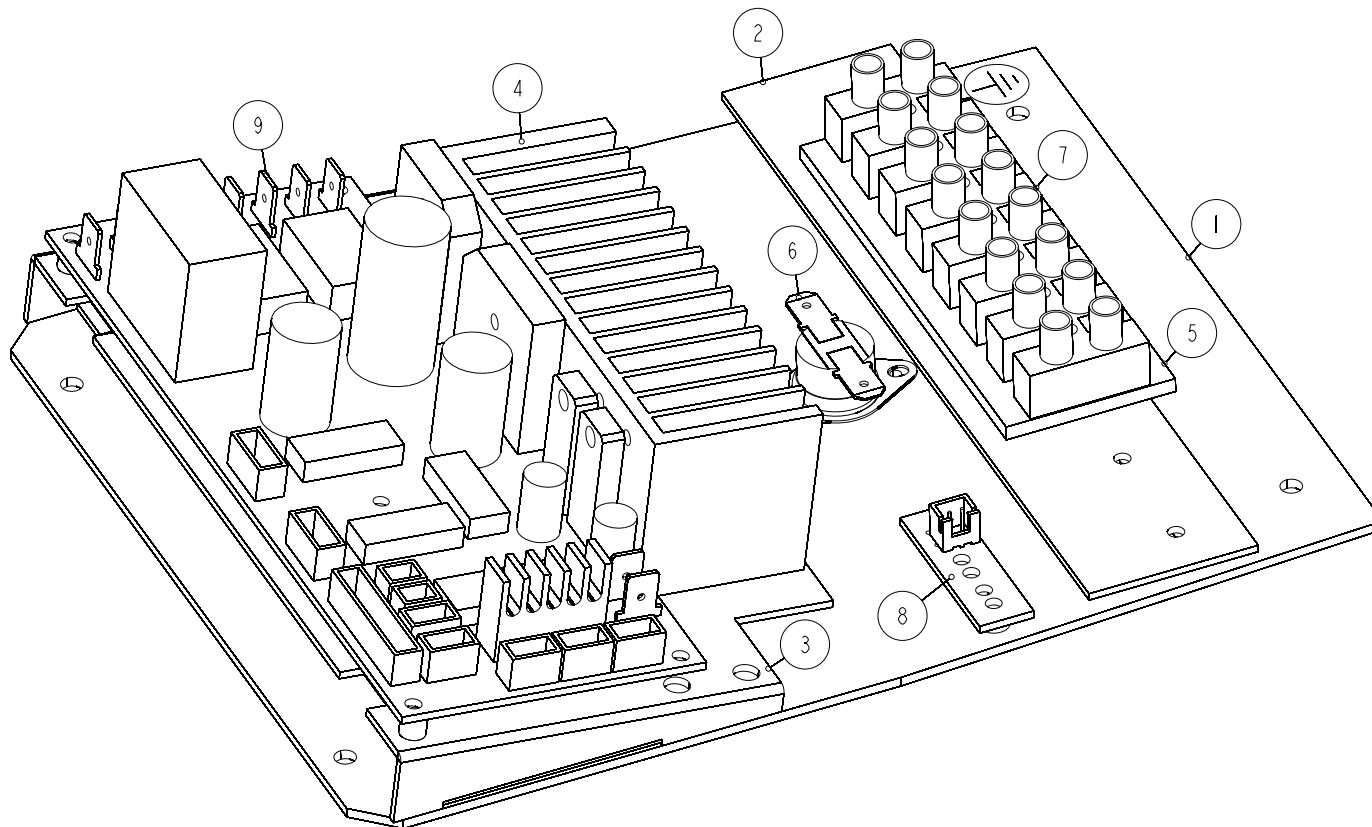
PRODUCT		PSX-250			
PIC. NO.		13-0016-01-01-03			
EDIT		FILE NO.	GS-EXP-072A	PAGE NO.	6/23
CHECK		VERSION	NR	DATE	2007.01.12
APPROVE		ECN NO.		DATE	



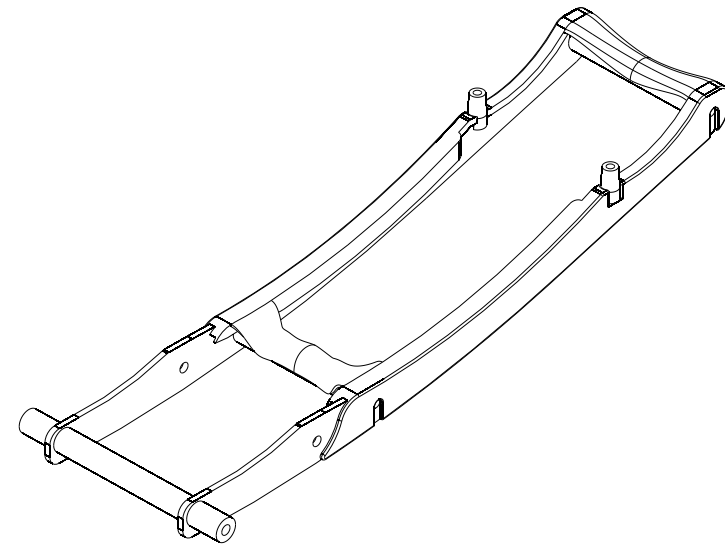
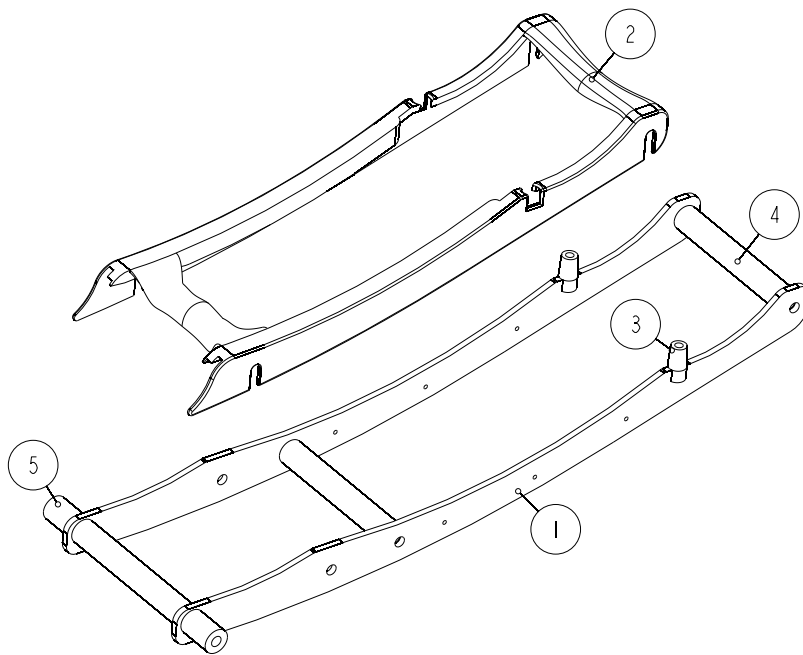
PRODUCT		PSX-250			
PIC. NO.		13-0016-01-01-04			
EDIT		FILE NO.	GS-EXP-072A	PAGE NO.	7/23
CHECK		VERSION	NR	DATE	2007.01.12
APPROVE		ECN NO.		DATE	



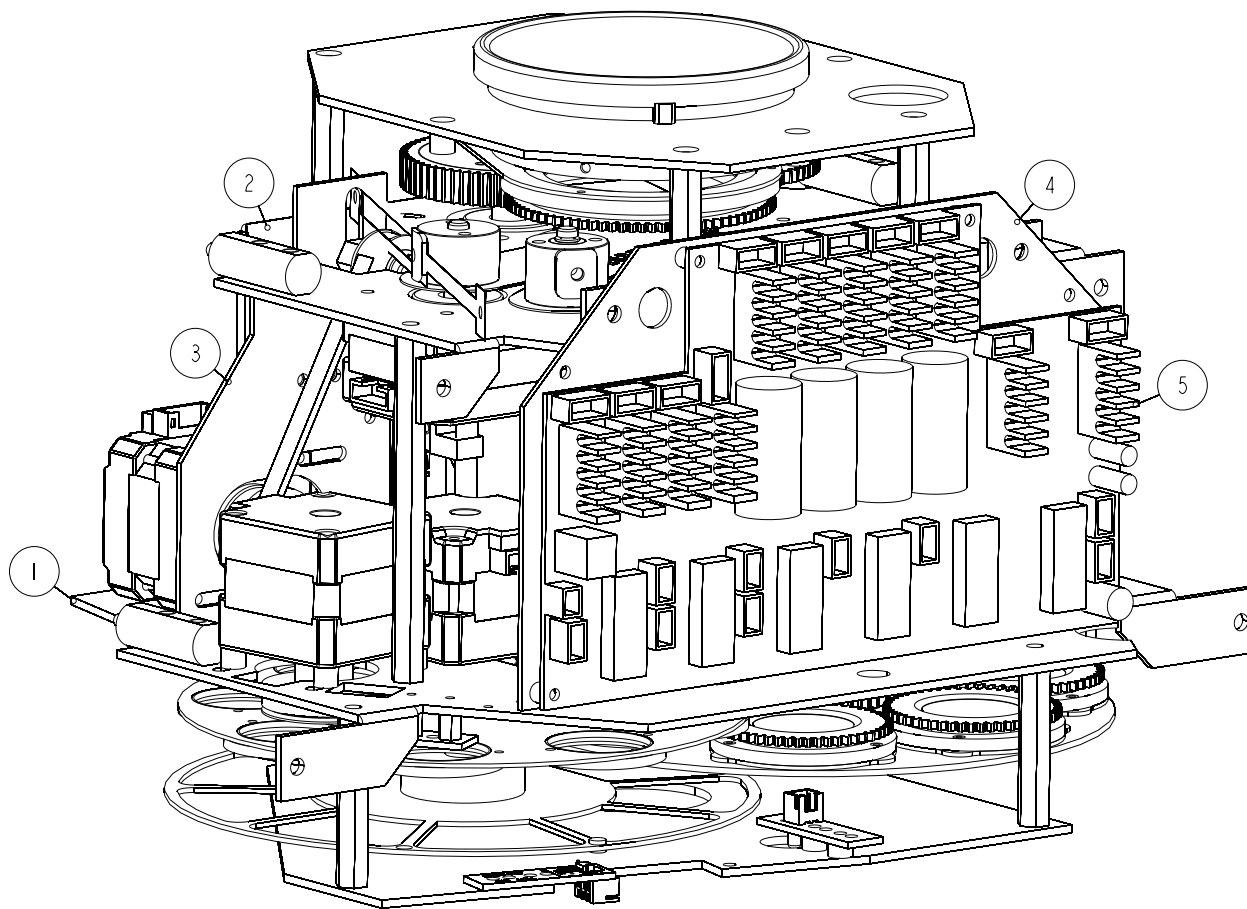
PRODUCT		PSX-250			
PIC. NO.		13-0016-01-02-00			
EDIT		FILE NO.	GS-EXP-072A	PAGE NO.	8/23
CHECK		VERSION	NR	DATE	2007.01.12
APPROVE		ECN NO.		DATE	



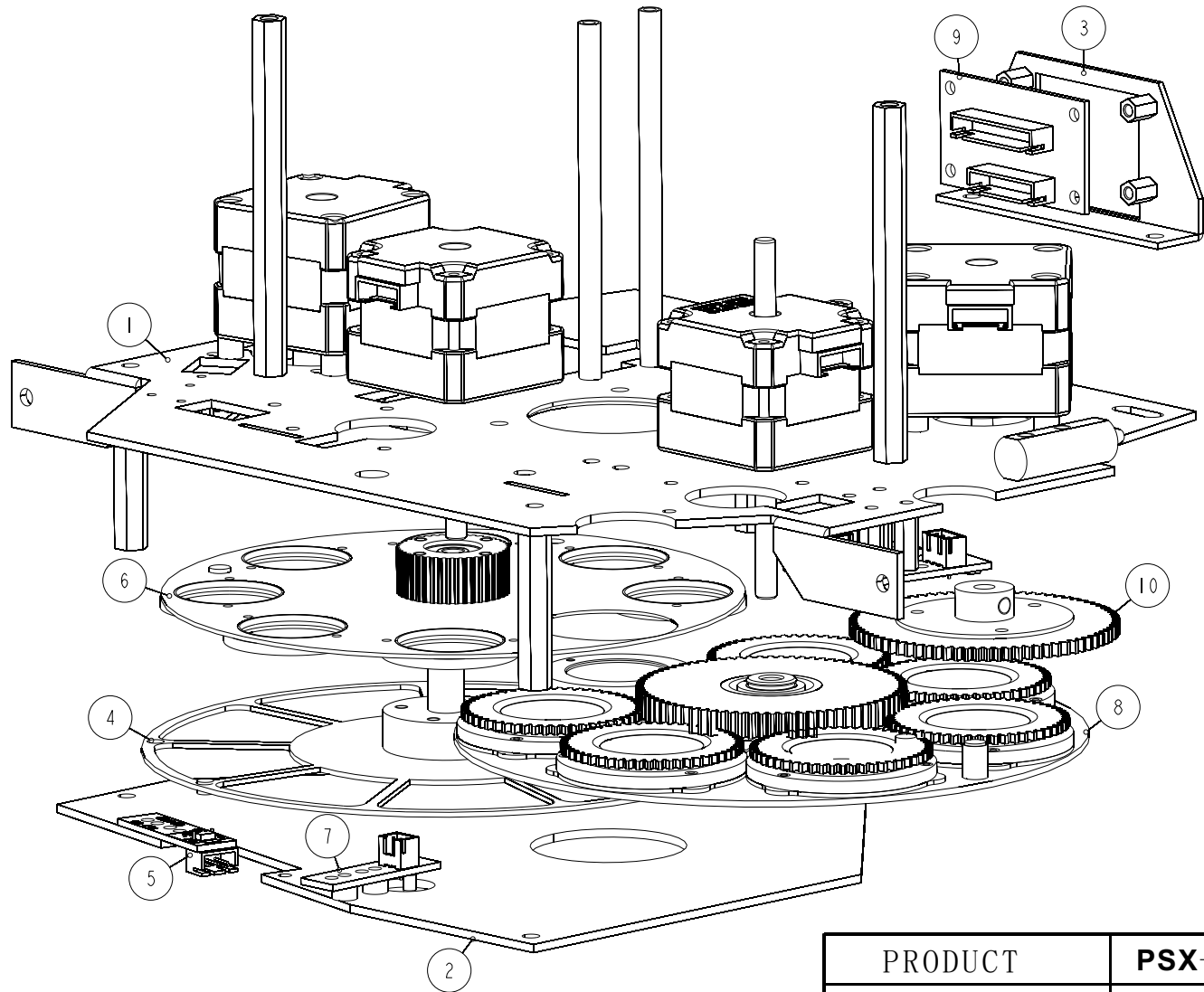
PRODUCT		PSX-250			
PIC. NO.		13-0016-01-03-00			
EDIT		FILE NO.	GS-EXP-072A	PAGE NO.	9/23
CHECK		VERSION	NR	DATE	2007.01.12
APPROVE		ECN NO.		DATE	



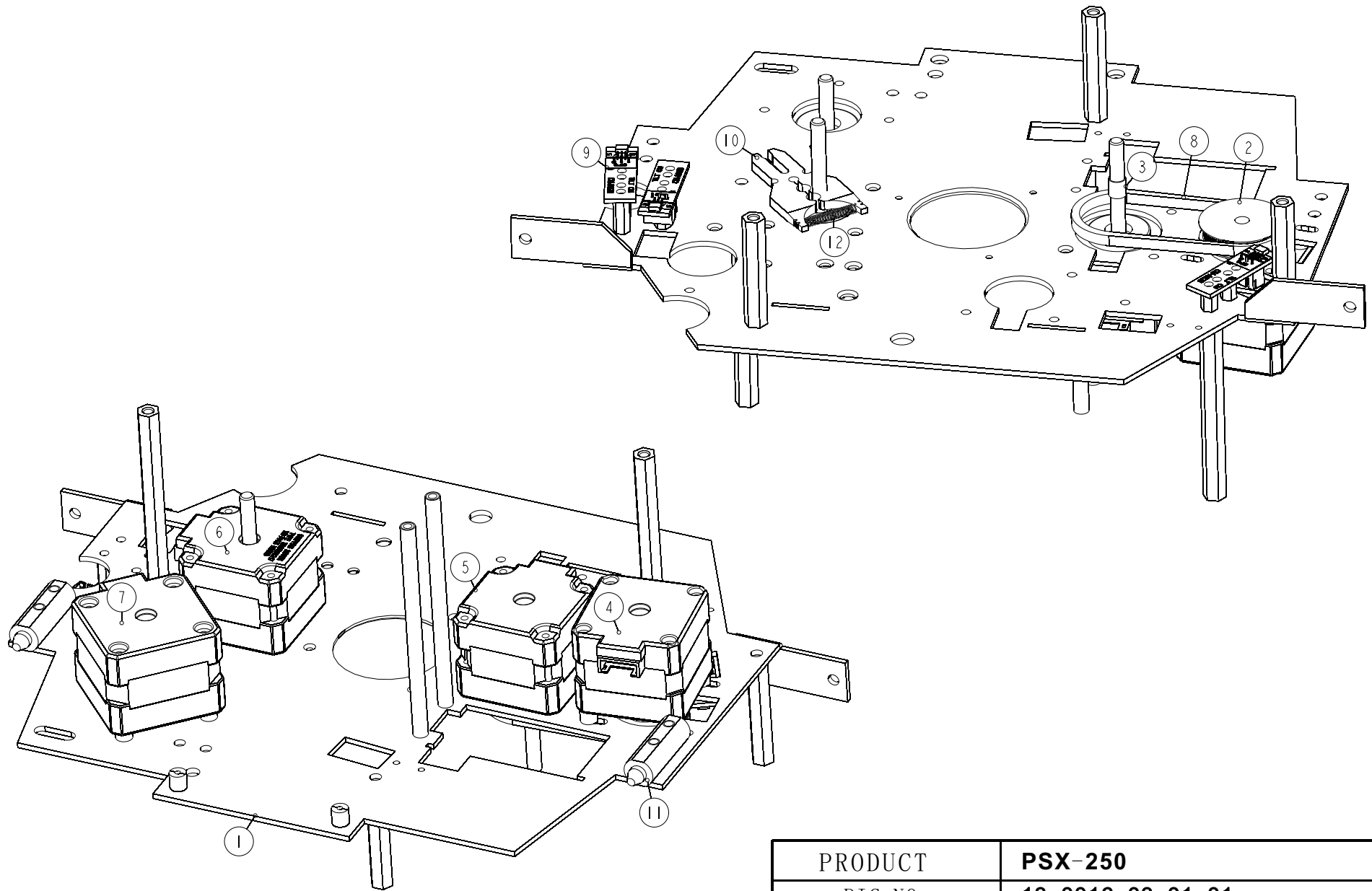
PRODUCT		PSX-250			
PIC. NO.		10-0003-02-00-00			
EDIT		FILE NO.	GS-EXP-072A	PAGE NO.	10/23
CHECK		VERSION	NR	DATE	2007.01.12
APPROVE		ECN NO.		DATE	



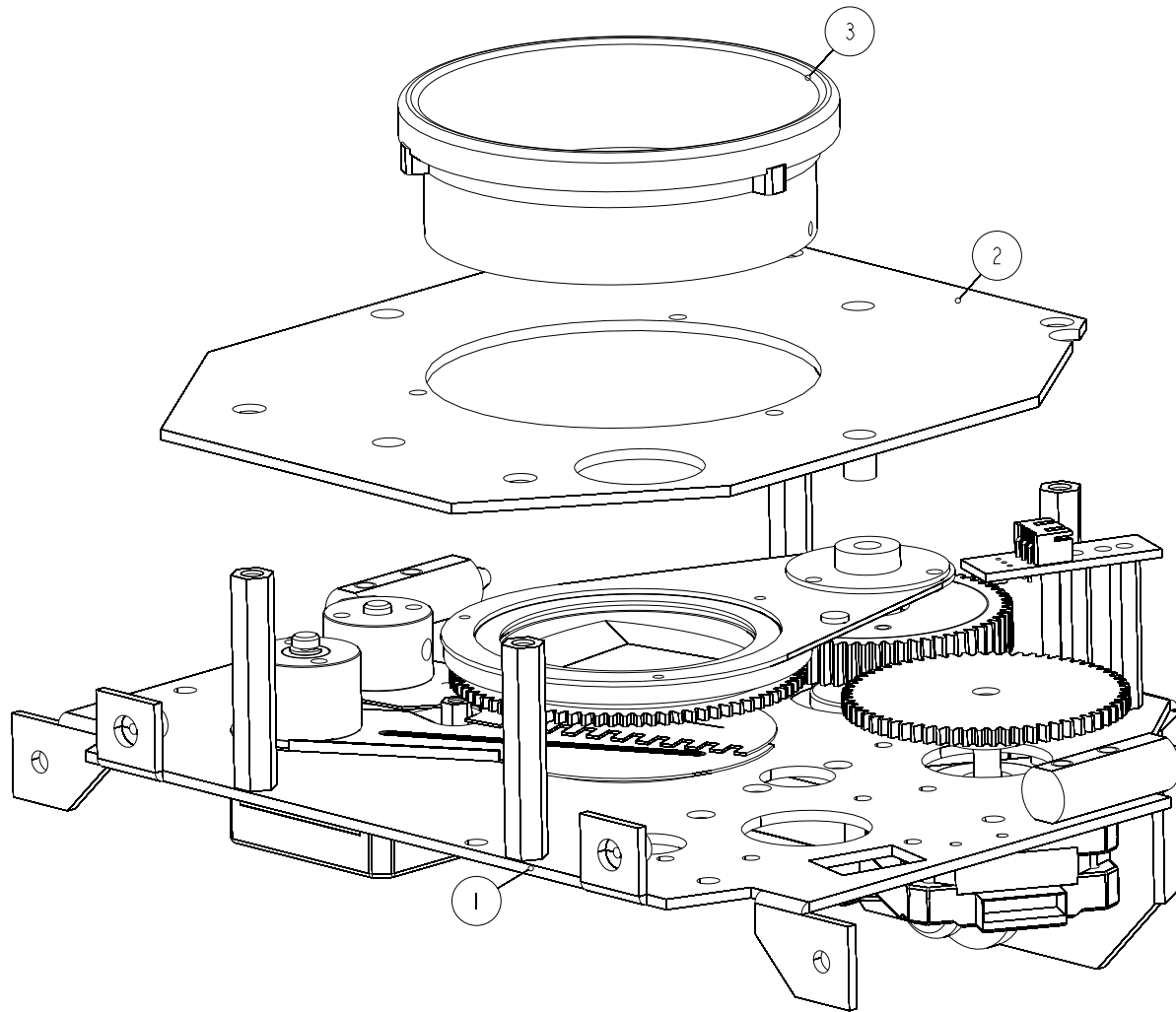
PRODUCT		PSX-250			
PIC. NO.		13-0016-03-00-00			
EDIT		FILE NO.	GS-EXP-072A	PAGE NO.	11/23
CHECK		VERSION	NR	DATE	2007.01.12
APPROVE		ECN NO.		DATE	



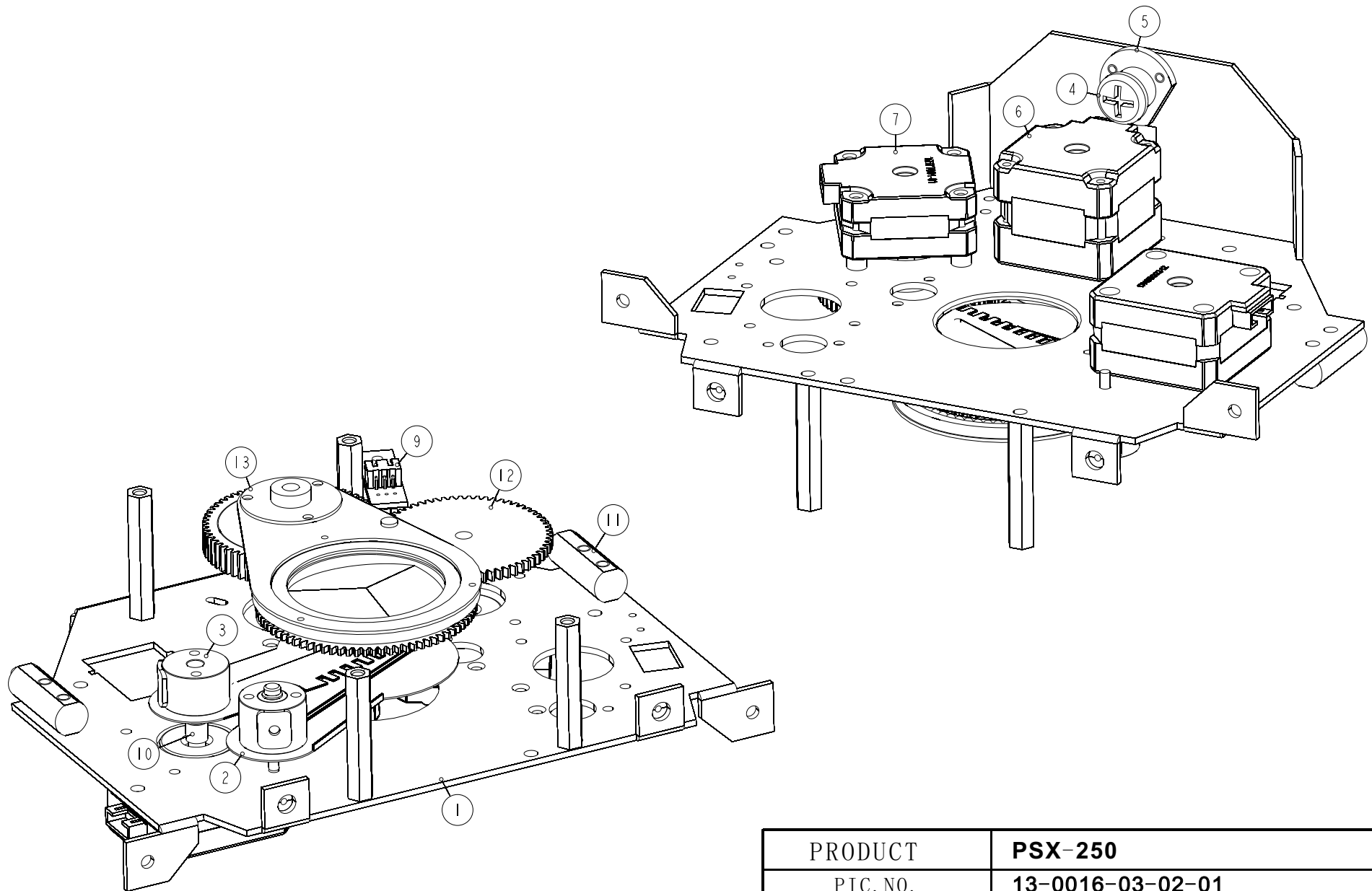
PRODUCT		PSX-250			
PIC. NO.		13-0016-03-01-00			
EDIT		FILE NO.	GS-EXP-072A	PAGE NO.	12/23
CHECK		VERSION	NR	DATE	2007.01.12
APPROVE		ECN NO.		DATE	



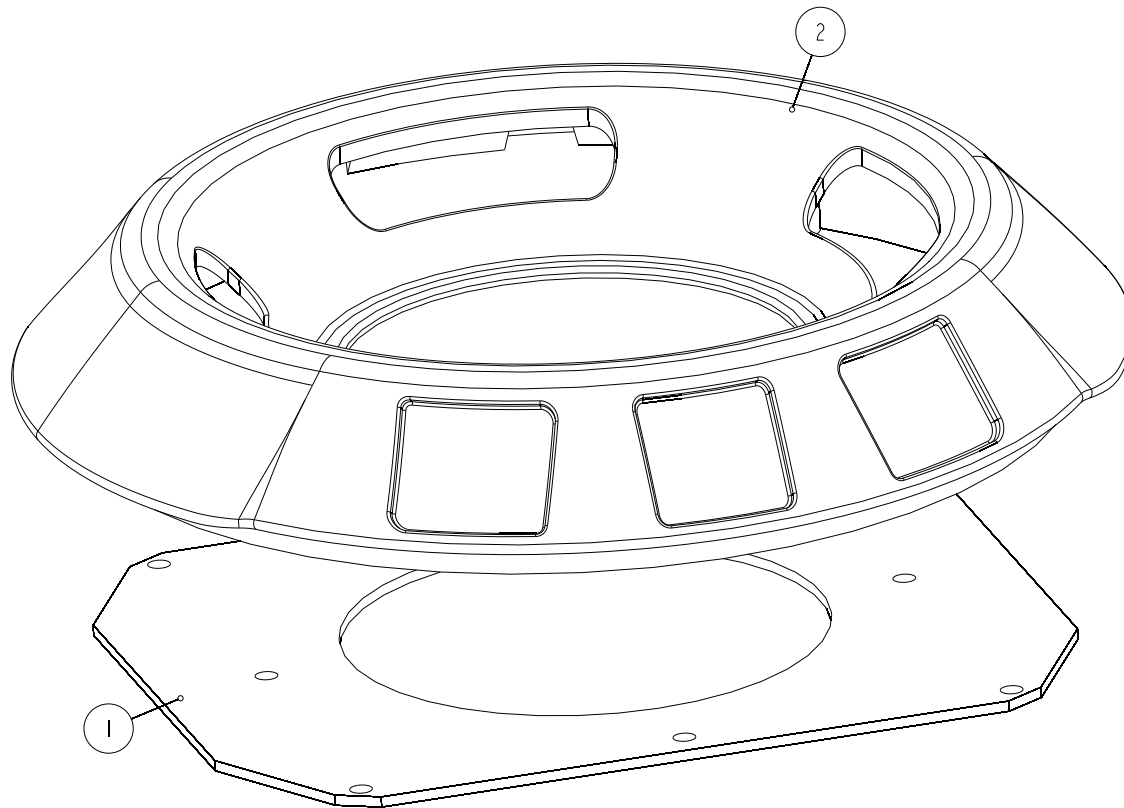
PRODUCT		PSX-250			
PIC. NO.		13-0016-03-01-01			
EDIT		FILE NO.	GS-EXP-072A	PAGE NO.	13/23
CHECK		VERSION	NR	DATE	2007.01.12
APPROVE		ECN NO.		DATE	



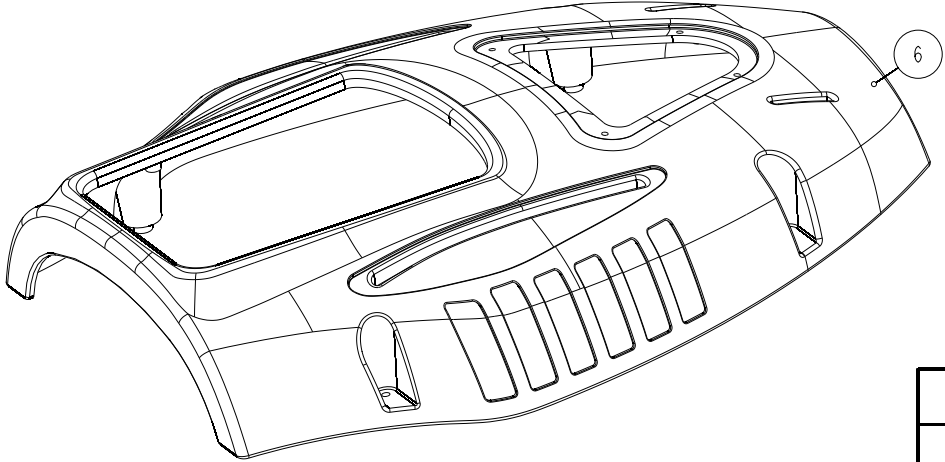
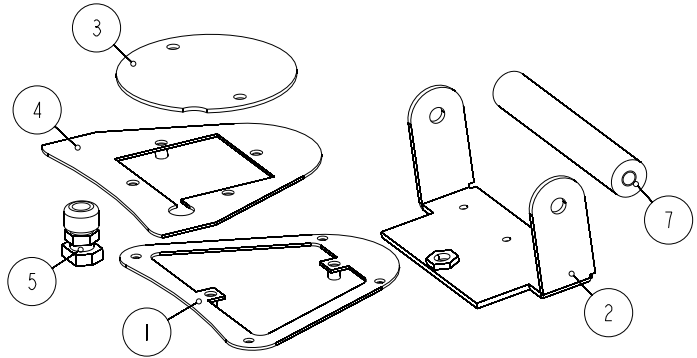
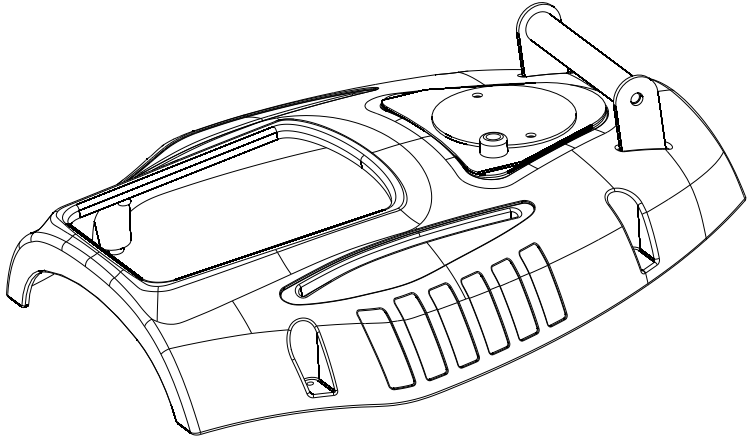
PRODUCT		PSX-250			
PIC. NO.		13-0016-03-02-00			
EDIT		FILE NO.	GS-EXP-072A	PAGE NO.	14/23
CHECK		VERSION	NR	DATE	2007.01.12
APPROVE		ECN NO.		DATE	



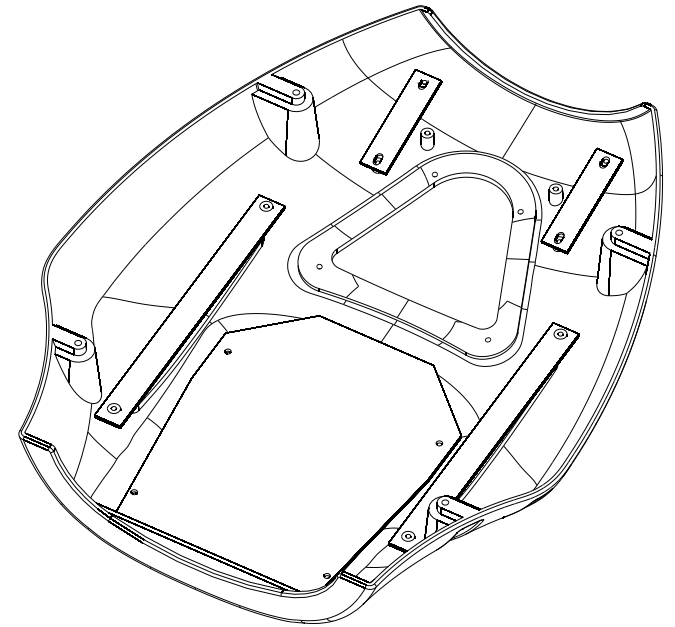
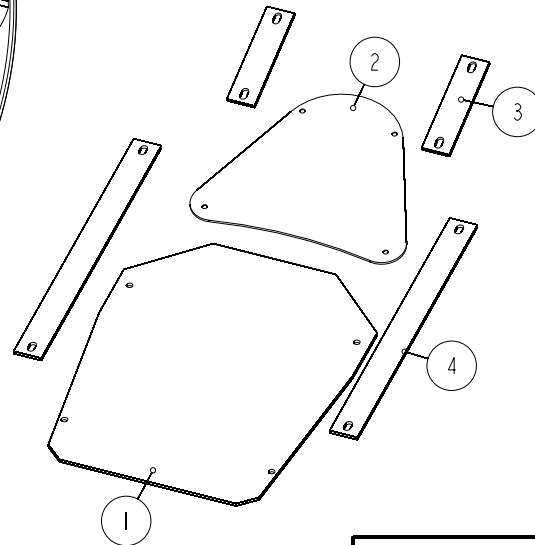
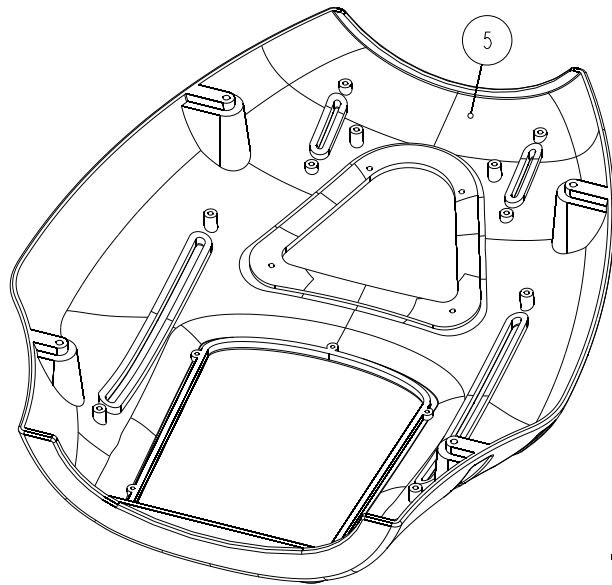
PRODUCT		PSX-250			
PIC. NO.		13-0016-03-02-01			
EDIT		FILE NO.	GS-EXP-072A	PAGE NO.	15/23
CHECK		VERSION	NR	DATE	2007.01.12
APPROVE		ECN NO.		DATE	



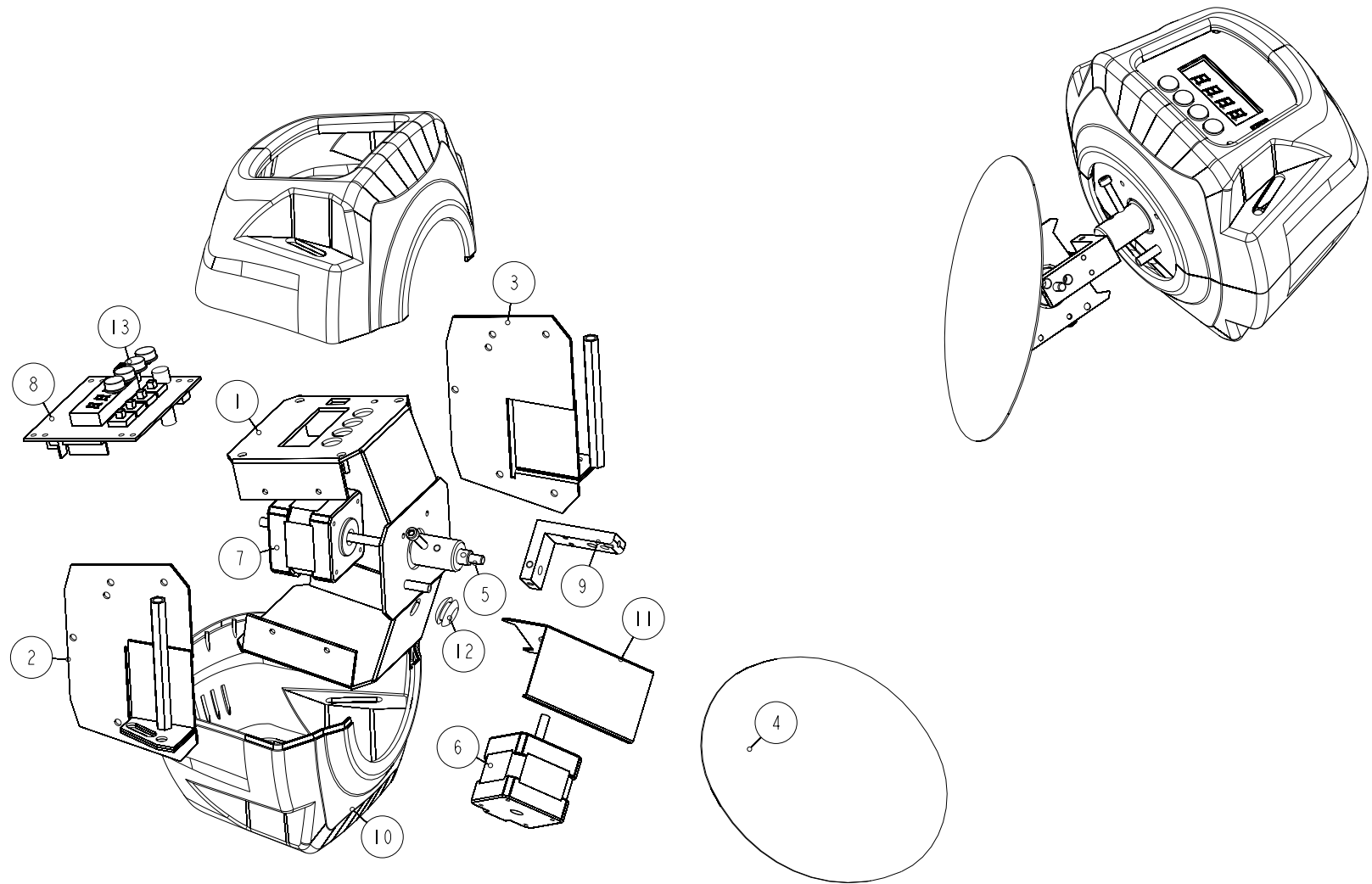
PRODUCT		PSX-250			
PIC. NO.		10-0003-04-00-00			
EDIT		FILE NO.	GS-EXP-072A	PAGE NO.	16/23
CHECK		VERSION	NR	DATE	2007.01.12
APPROVE		ECN NO.		DATE	



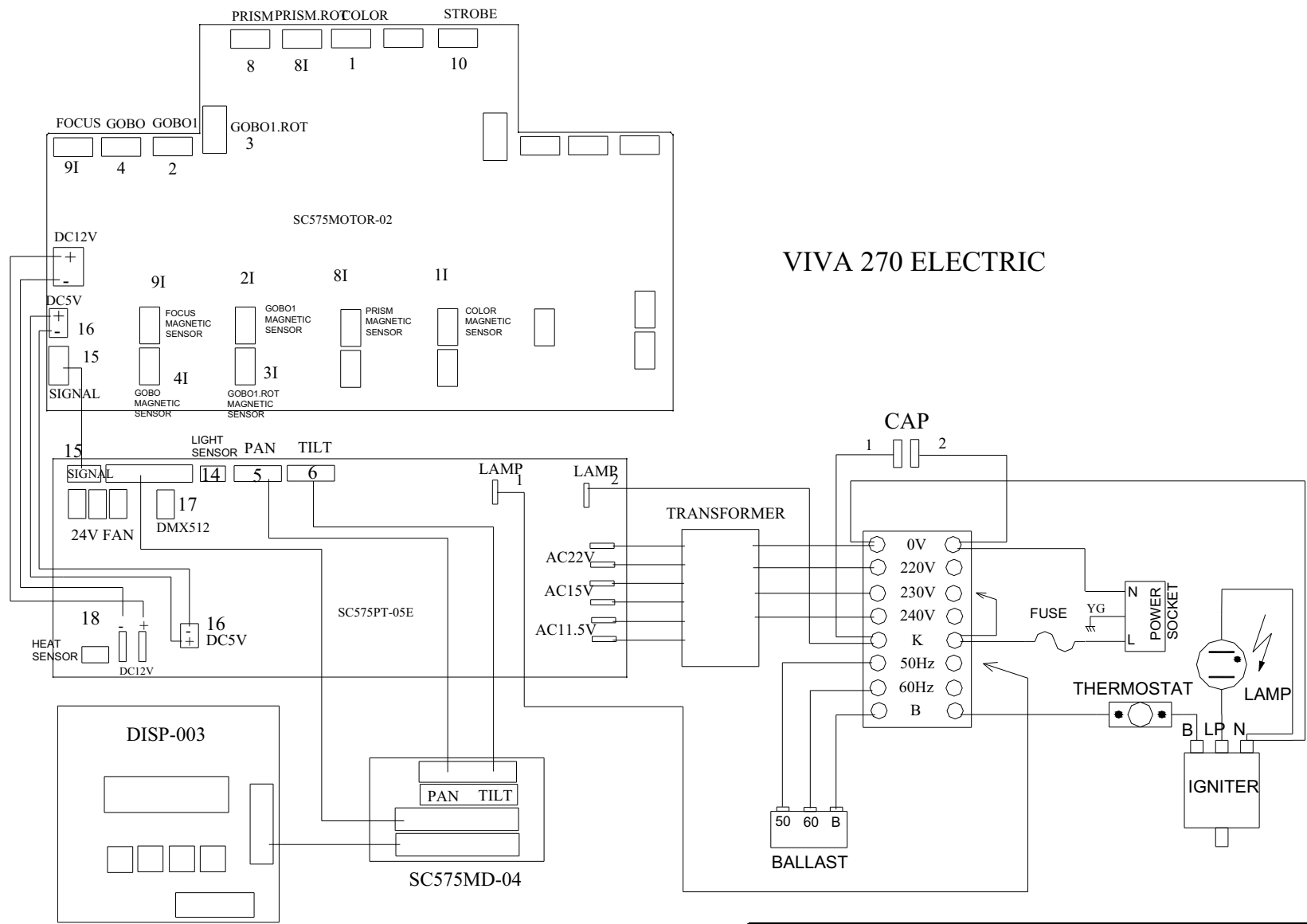
PRODUCT		PSX-250			
PIC. NO.		10-0003-05-00-00			
EDIT		FILE NO.	GS-EXP-072A	PAGE NO.	17/23
CHECK		VERSION	NR	DATE	2007.01.12
APPROVE		ECN NO.		DATE	



PRODUCT		PSX-250			
PIC. NO.		10-0003-06-00-00			
EDIT		FILE NO.	GS-EXP-072A	PAGE NO.	18/23
CHECK		VERSION	NR	DATE	2007.01.12
APPROVE		ECN NO.		DATE	

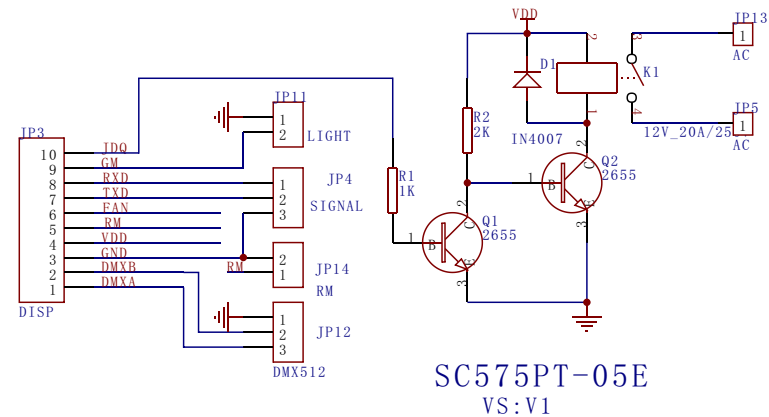
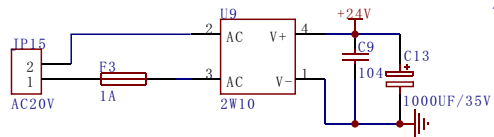
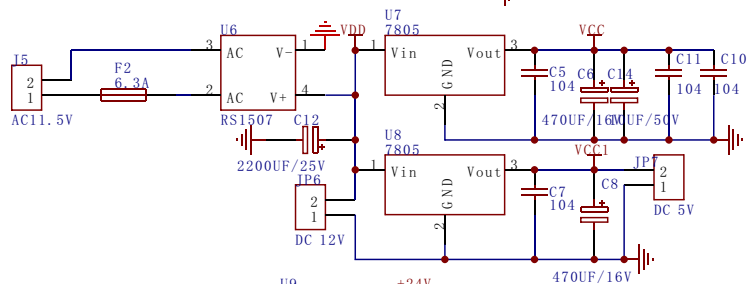
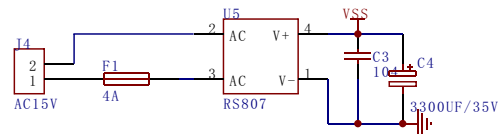
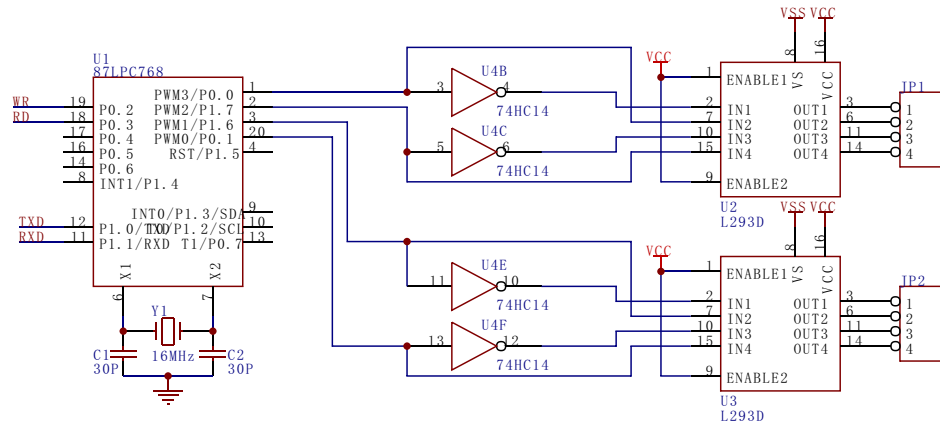
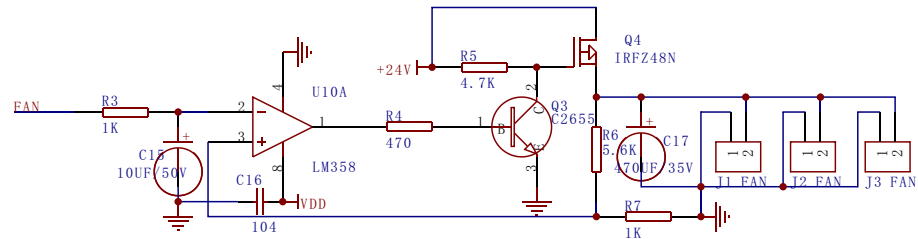


PRODUCT		PSX-250			
PIC. NO.		13-0009-07-00-00			
EDIT		FILE NO.	GS-EXP-072A	PAGE NO.	19/23
CHECK		VERSION	NR	DATE	2007.01.12
APPROVE		ECN NO.		DATE	



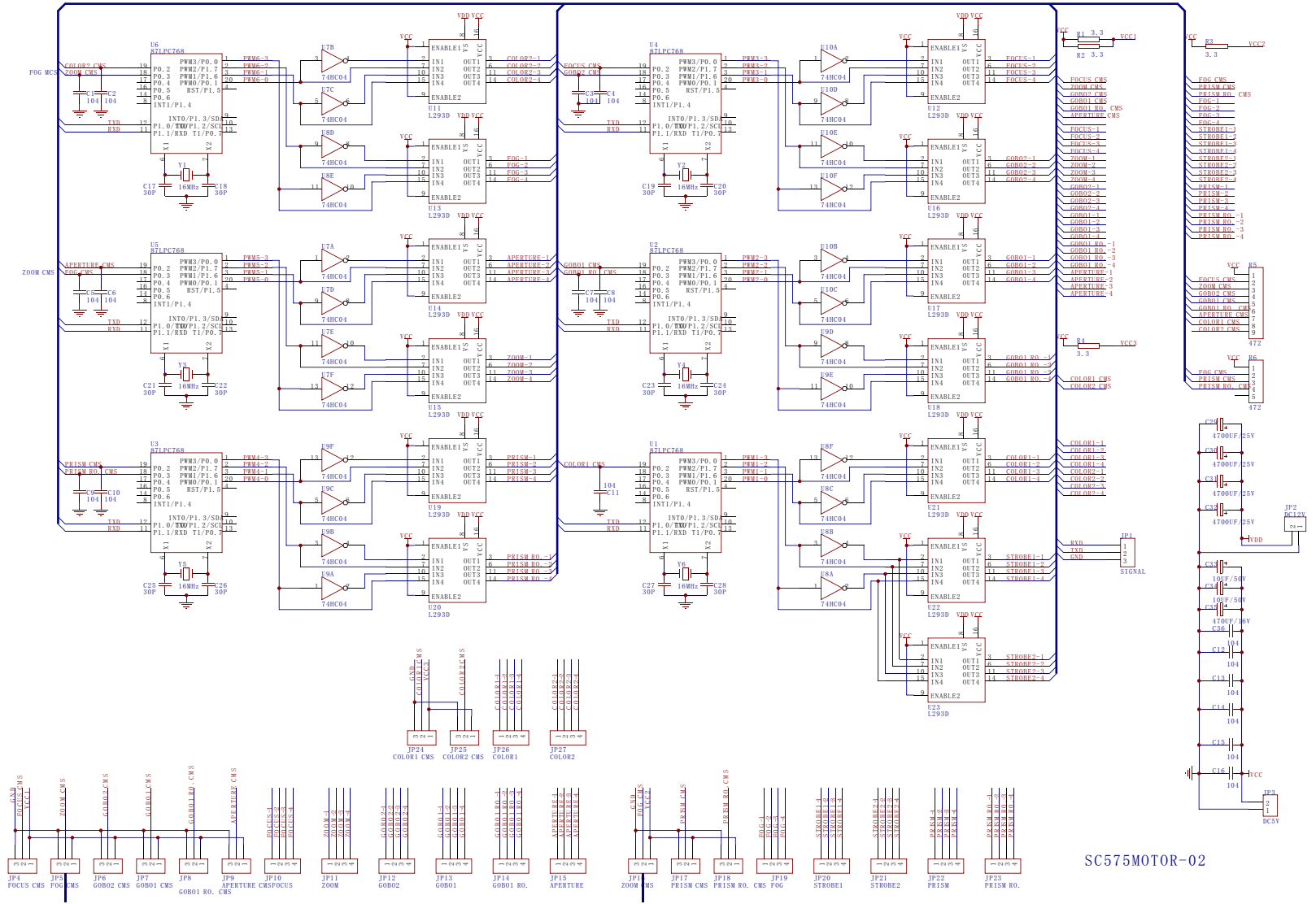
VIVA 270 ELECTRIC

PRODUCT		PSX-250			
PIC. NO.		VIVA 270 ELECTRIC			
EDIT		FILE NO.	GS-WIJL-002	PAGE NO.	20/23
CHECK		VERSION	A	DATE	2007.01.12
APPROVE		ECN NO.		DATE	



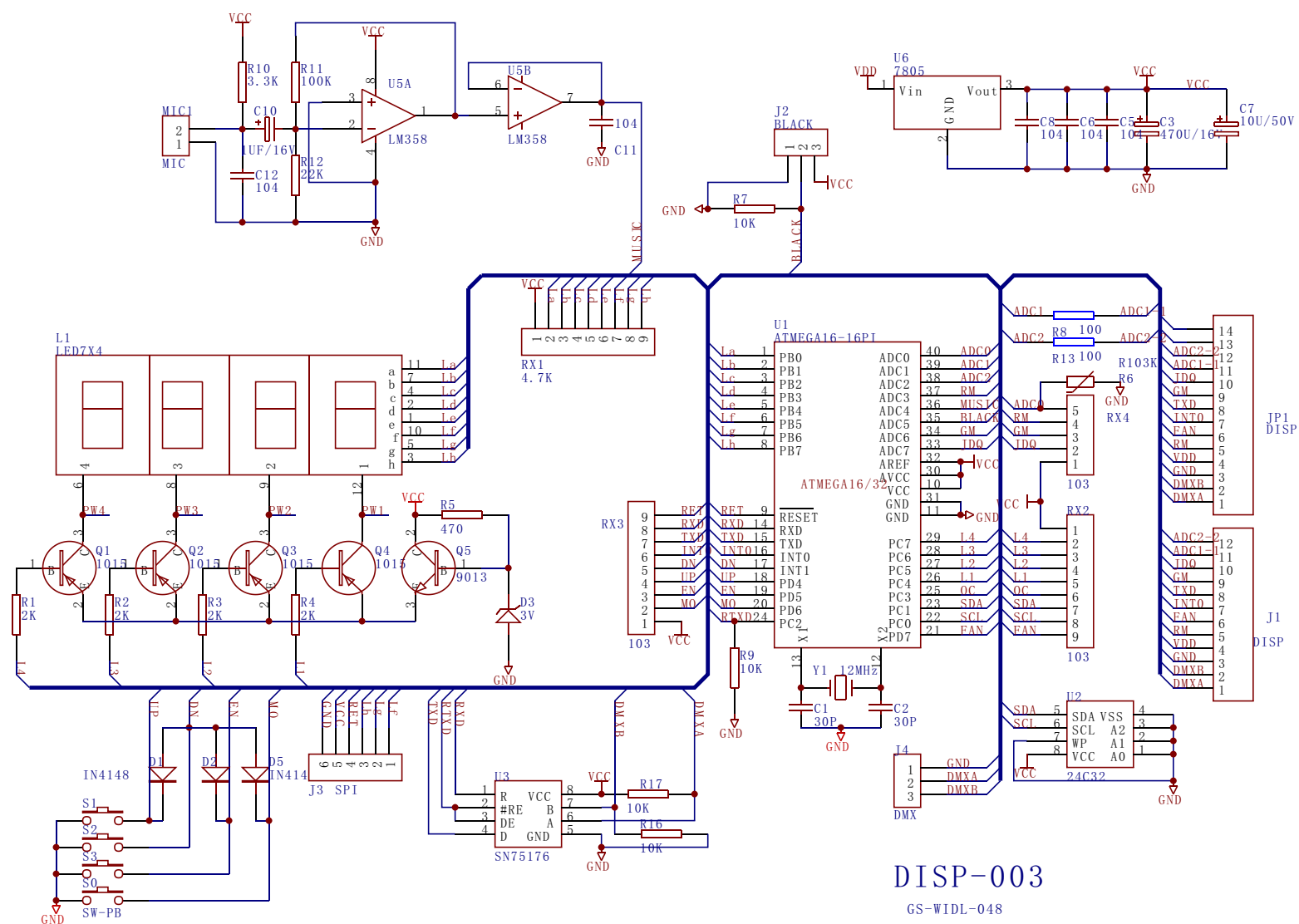
SC575PT-05E
VS:V1

PRODUCT		PSX-250			
PIC. NO.		SC575PT-05E SCHEMES			
EDIT		FILE NO.	GS-WIDL-030-02	PAGE NO.	21/23
CHECK		VERSION	NR	DATE	2007.01.12
APPROVE		ECN NO.		DATE	



SC575MOTOR-02

PRODUCT		PSX-250			
PIC. NO.		SC575MOTOR-02 SCHEMES			
EDIT	FILE NO.	GS-WIDL-031	PAGE NO.	22/23	
CHECK	VERSION	NR	DATE	2007.01.12	
APPROVE	ECN NO.		DATE		



DISP-003

GS-WIDL-048

PRODUCT		PSX-250			
PIC. NO.		DISP-003 SCHEMES			
EDIT		FILE NO.	GS-WIDL-048	PAGE NO.	23/23
CHECK		VERSION	NR	DATE	2007.01.12
APPROVE		ECN NO.		DATE	