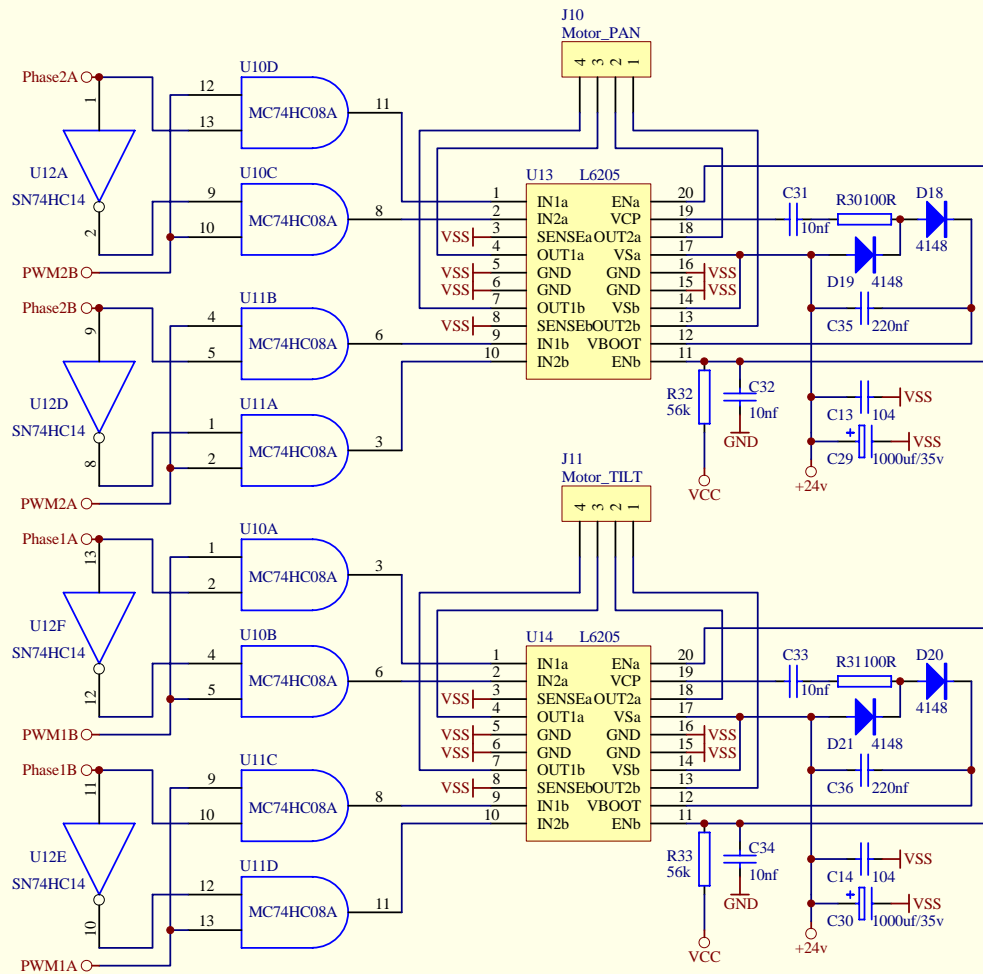
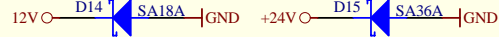
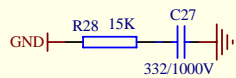
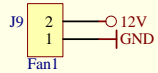
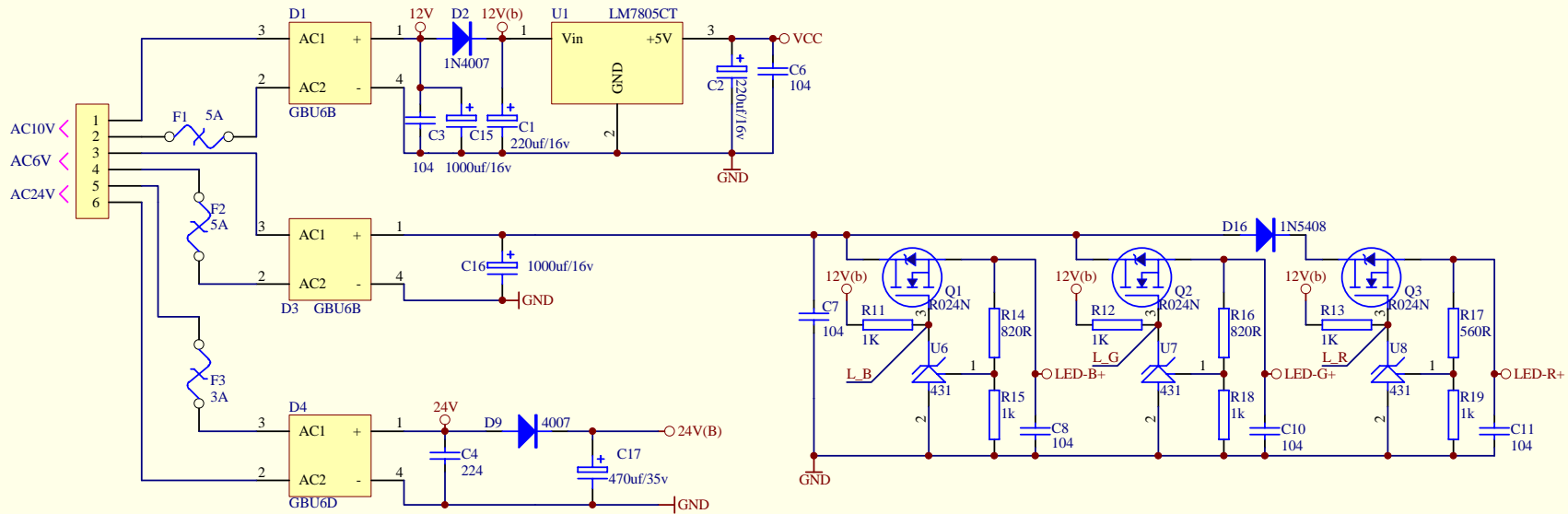


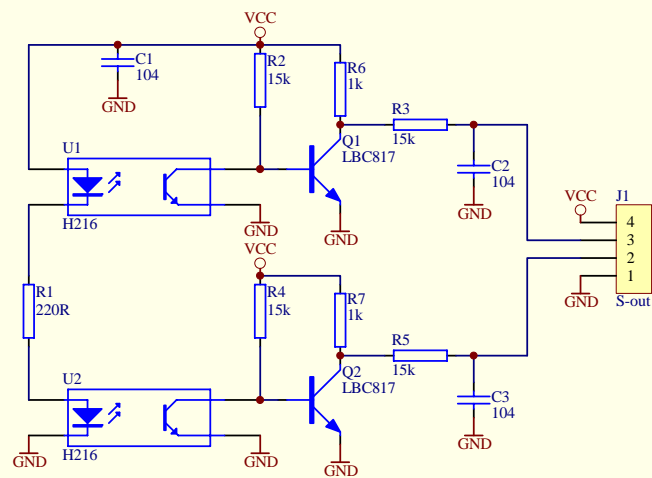
Title: Control		
Size: A4	Number: A-1	Revision:
Date:		



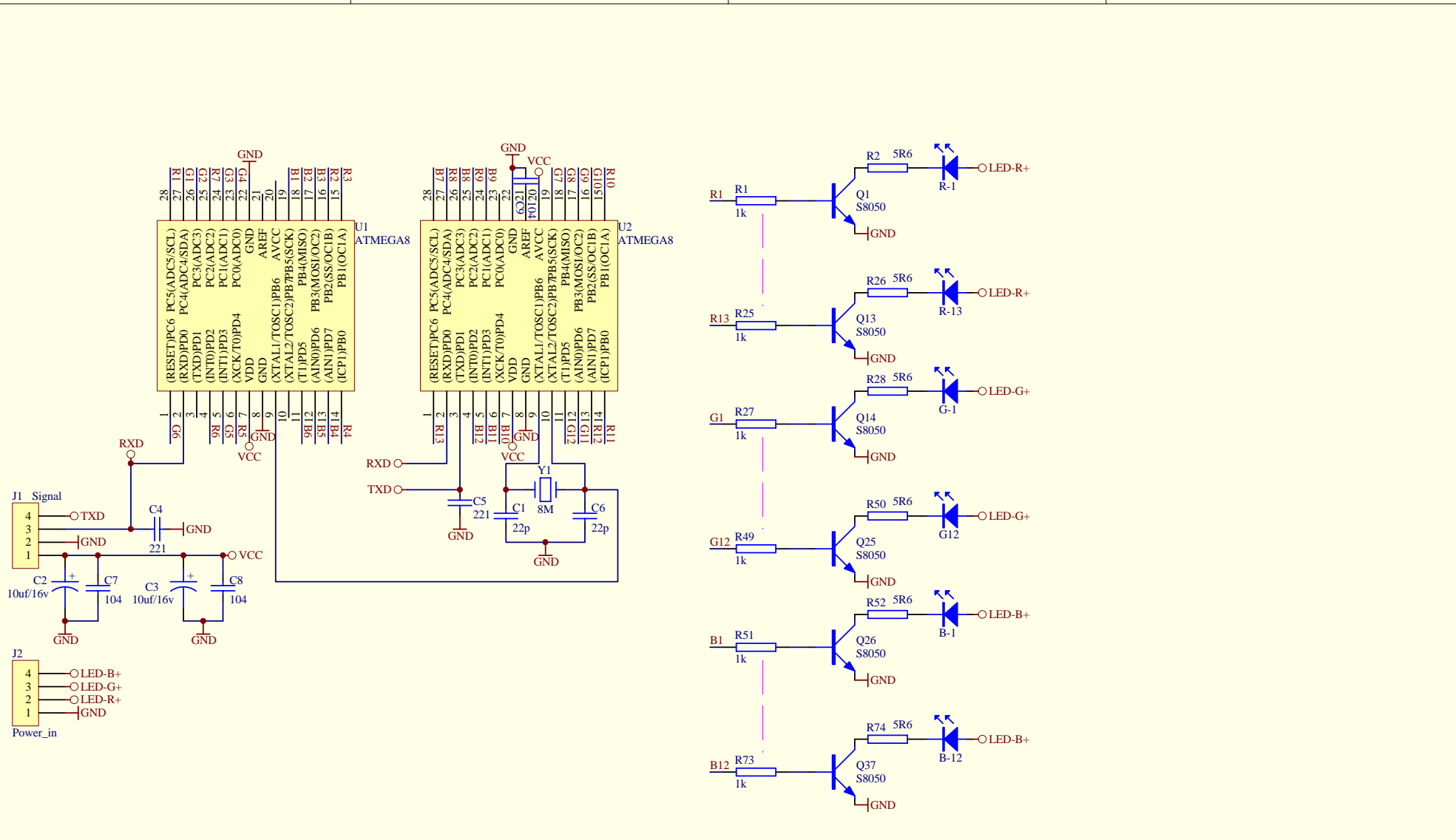
Title: Motor-Drive		
Size: A4	Number: A-1	Revision:
Date:		



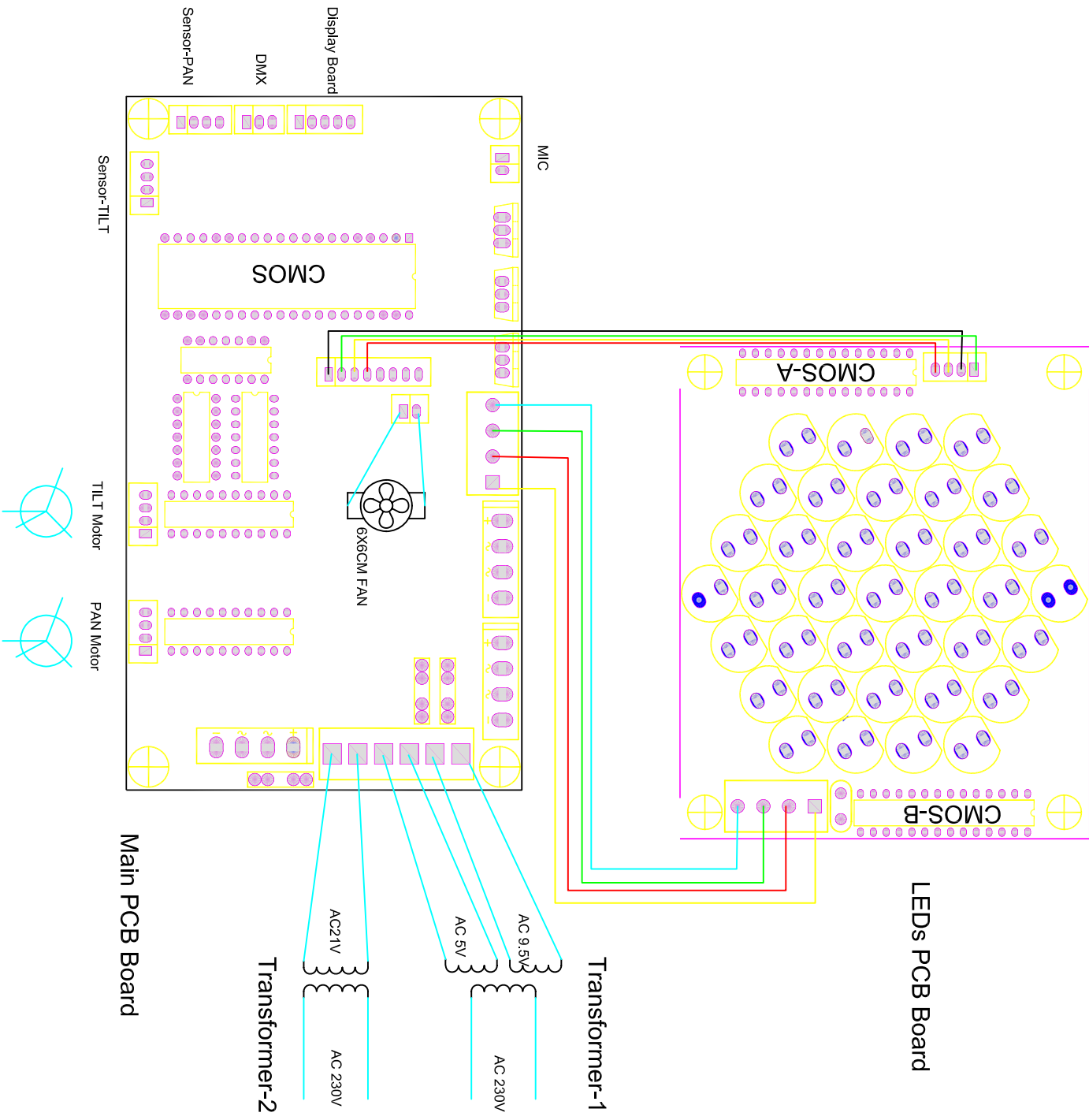
Title: Power		
Size: A4	Number: A-2	Revision:
Date:		



Title: Sensor		
Size: A4	Number: B	Revision:
Date:		



Title: Lamp		
Size: A4	Number: C	Revision:
Date:		



LEDs PCB Board

Transformer-1

Transformer-2

Main PCB Board