

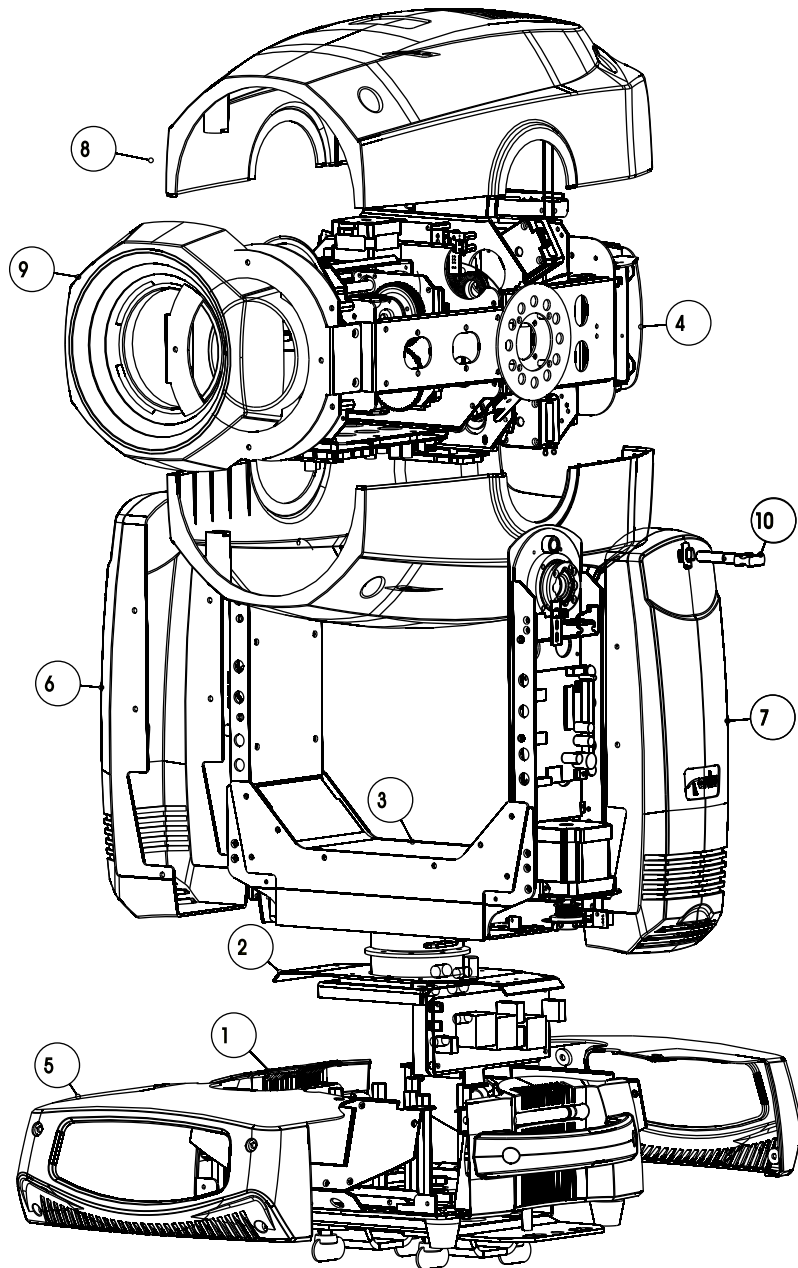
# Service manual

## PT320S-R

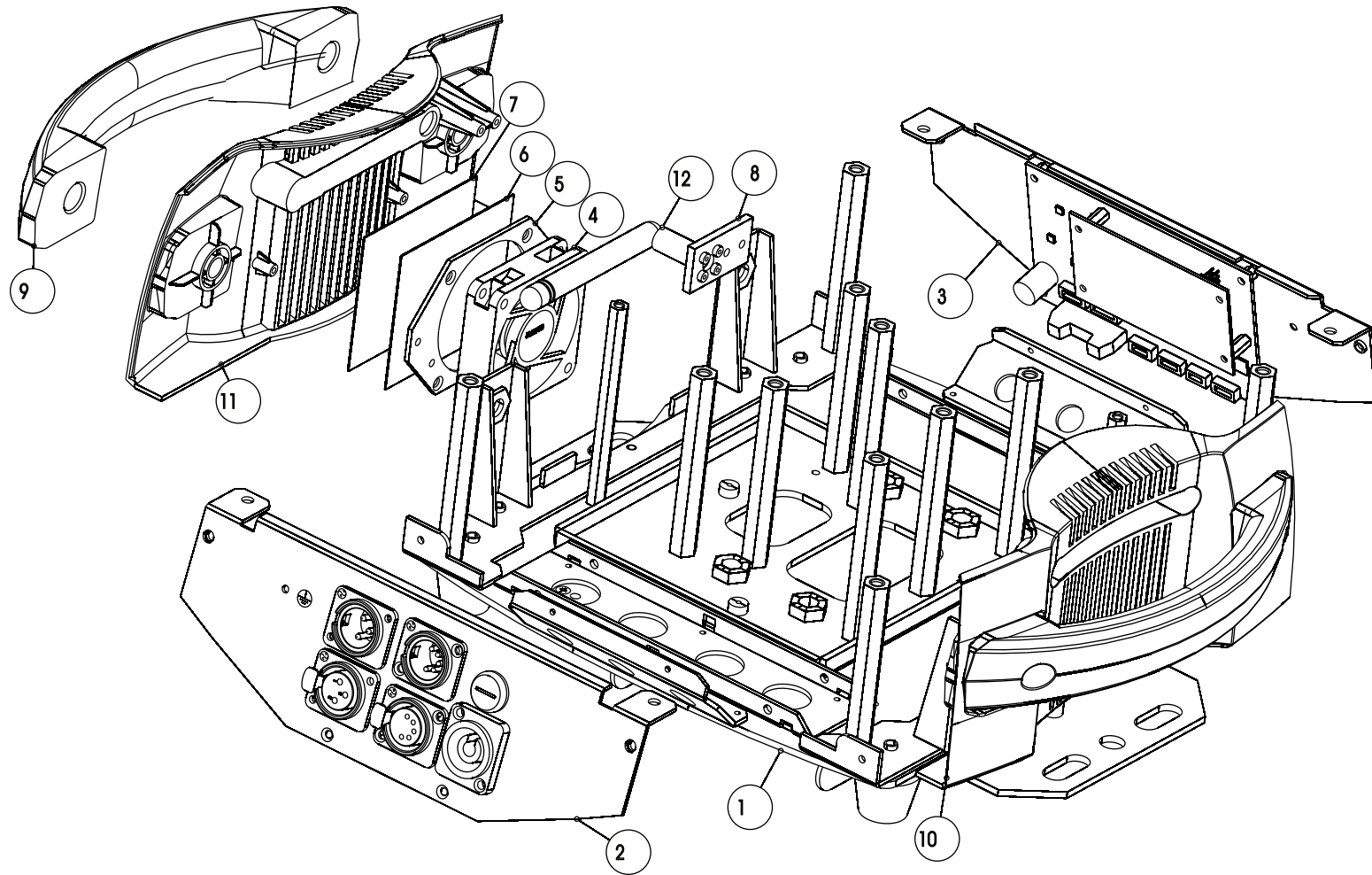
- ※ **Exploded Diagrams**
- ※ **Circuit Diagrams**
- ※ **Wiring Diagrams**
- ※ **Parts List**



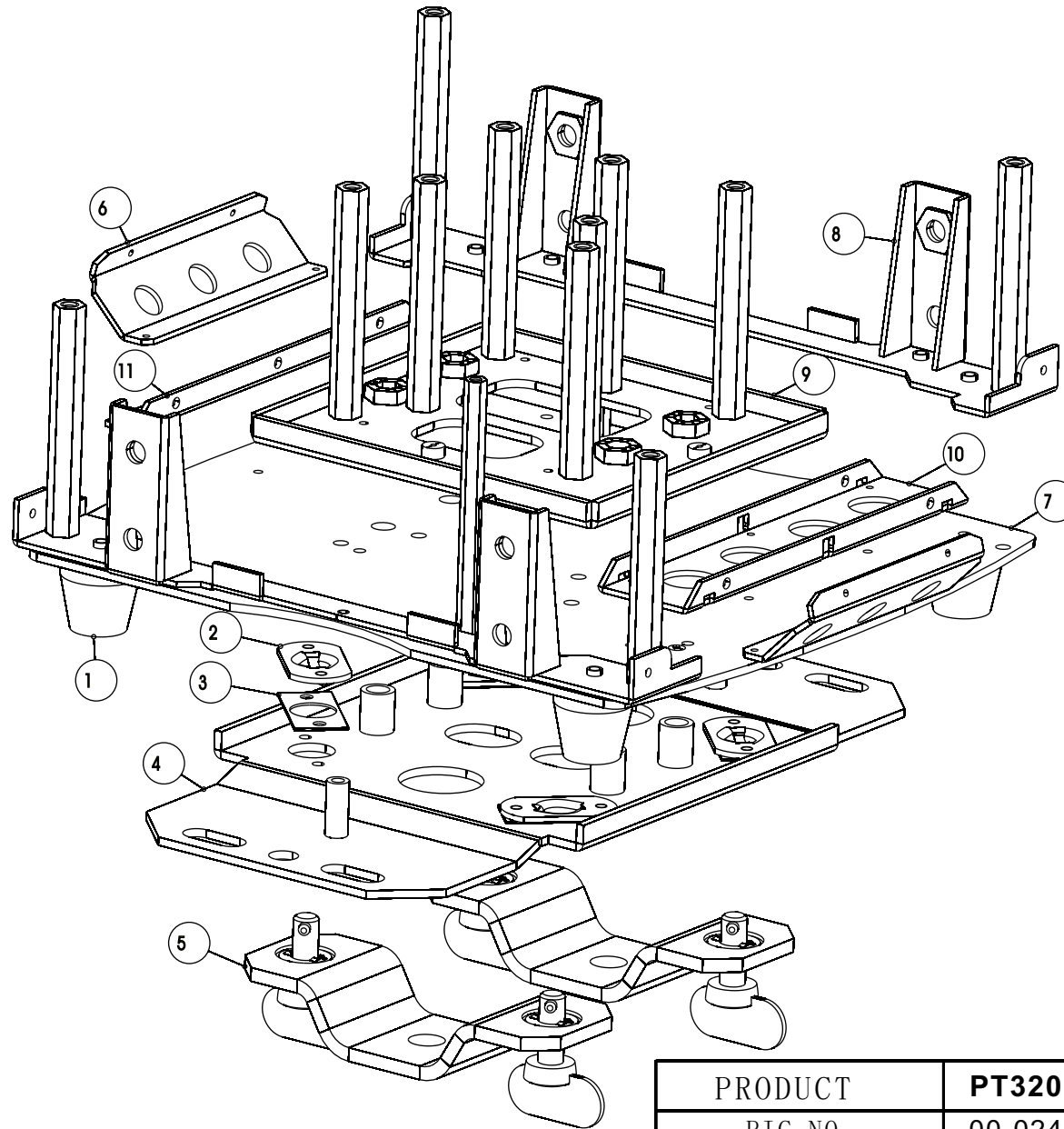
|                 |  |                   |              |                    |
|-----------------|--|-------------------|--------------|--------------------|
| <b>PRODUCT</b>  |  | <b>PT320S-R</b>   |              |                    |
| <b>PIC. NO.</b> |  | <b>Front Page</b> | Series No.   | S020121506001-6004 |
| EDIT            |  | FILE NO.          | HY-EXP-1012A |                    |
| CHECK           |  | ORDER NO.         | S020121506   |                    |
| APPROVE         |  | VERSION           | NR           | SOFTWARE VER. V1.0 |



|          |  |                  |              |          |            |
|----------|--|------------------|--------------|----------|------------|
| PRODUCT  |  | <b>PT320S-R</b>  |              |          |            |
| PIC. NO. |  | 00-0241-00-00-00 |              |          |            |
| EDIT     |  | FILE NO.         | HY-EXP-1012A | PAGE NO. | 1/26       |
| CHECK    |  | VERSION          | NR           | DATE     | 2012.08.10 |
| APPROVE  |  | ECN NO.          |              | DATE     |            |

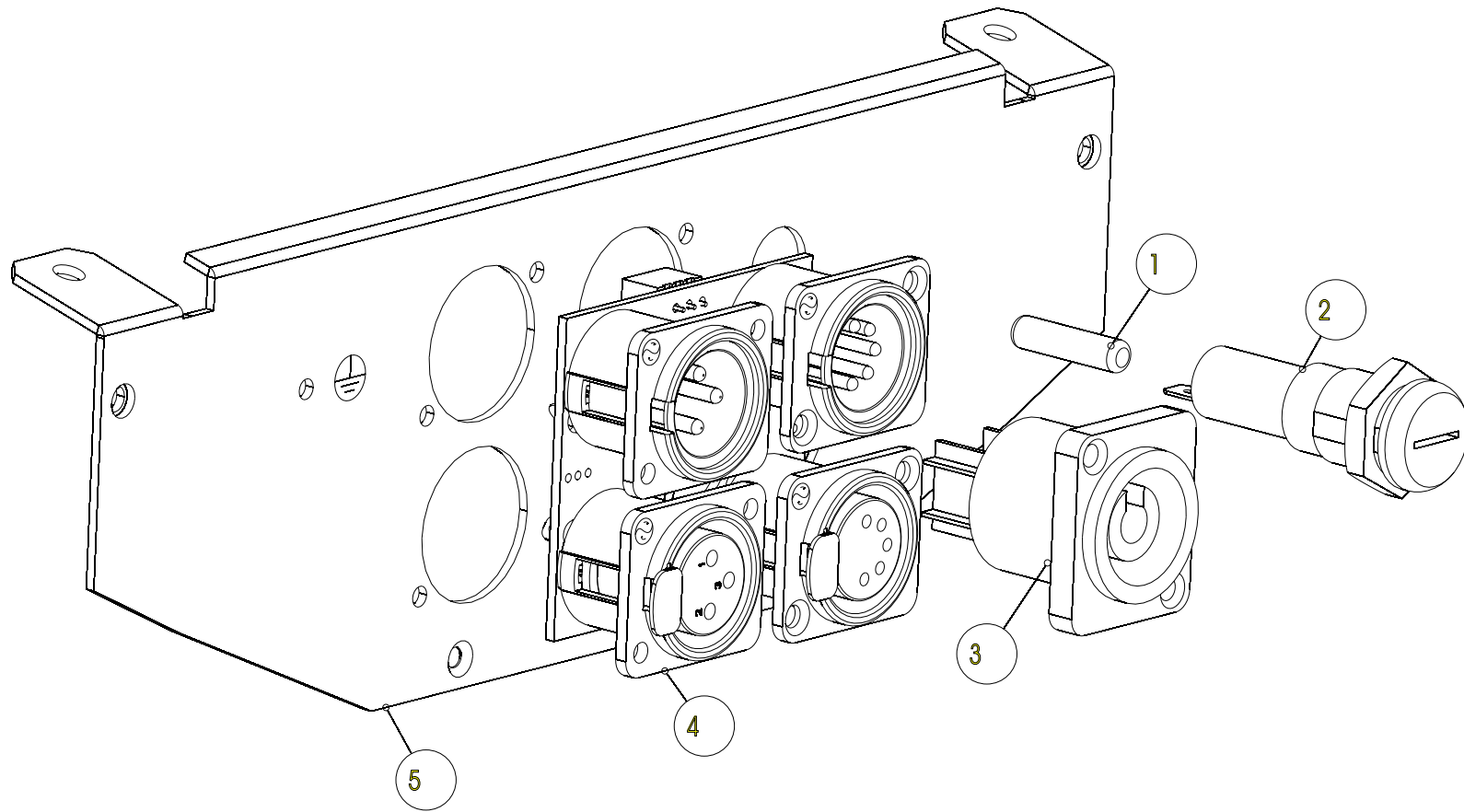


|          |  |                  |              |          |            |
|----------|--|------------------|--------------|----------|------------|
| PRODUCT  |  | <b>PT320S-R</b>  |              |          |            |
| PIC. NO. |  | 00-0241-01-00-00 |              |          |            |
| EDIT     |  | FILE NO.         | HY-EXP-1012A | PAGE NO. | 2/26       |
| CHECK    |  | VERSION          | NR           | DATE     | 2012.08.10 |
| APPROVE  |  | ECN NO.          |              | DATE     |            |

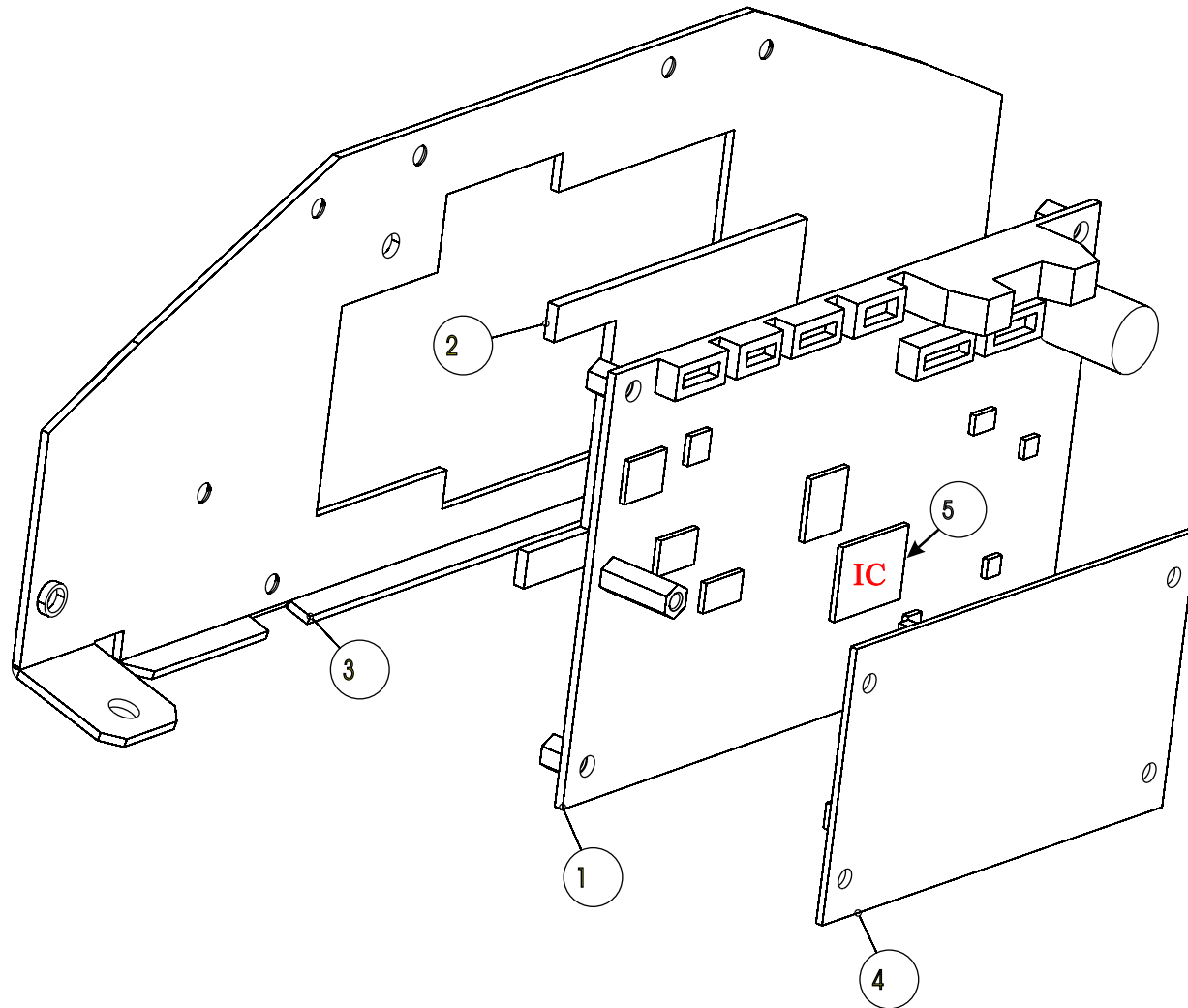


|          |  |                  |              |          |            |
|----------|--|------------------|--------------|----------|------------|
| PRODUCT  |  | <b>PT320S-R</b>  |              |          |            |
| PIC. NO. |  | 00-0241-01-01-00 |              |          |            |
| EDIT     |  | FILE NO.         | HY-EXP-1012A | PAGE NO. | 3/26       |
| CHECK    |  | VERSION          | NR           | DATE     | 2012.08.10 |
| APPROVE  |  | ECN NO.          |              | DATE     |            |

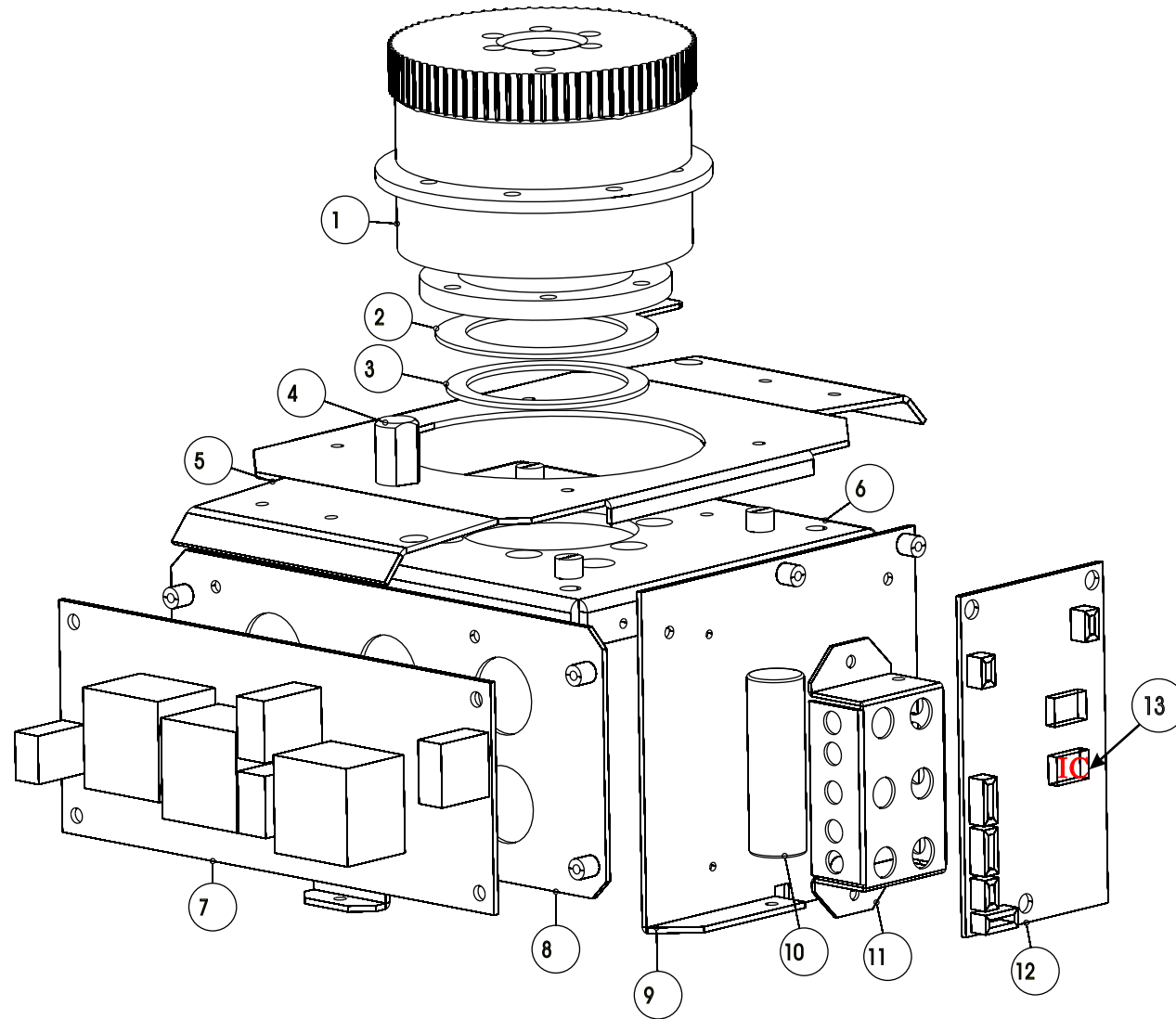




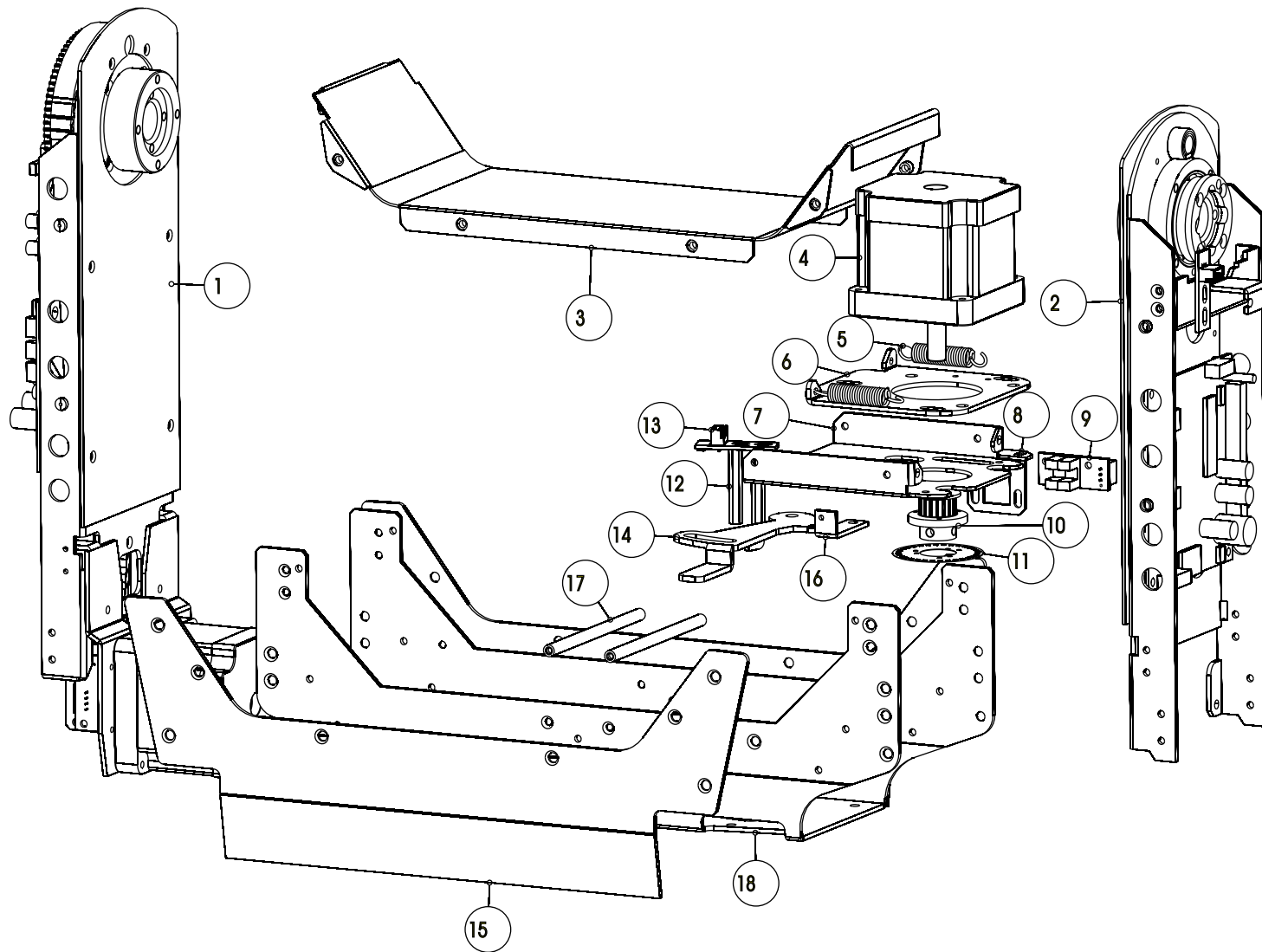
|          |  |                  |              |          |            |
|----------|--|------------------|--------------|----------|------------|
| PRODUCT  |  | <b>PT320S-R</b>  |              |          |            |
| PIC. NO. |  | 00-0241-01-02-00 |              |          |            |
| EDIT     |  | FILE NO.         | HY-EXP-1012A | PAGE NO. | 4/26       |
| CHECK    |  | VERSION          | NR           | DATE     | 2012.08.10 |
| APPROVE  |  | ECN NO.          |              | DATE     |            |



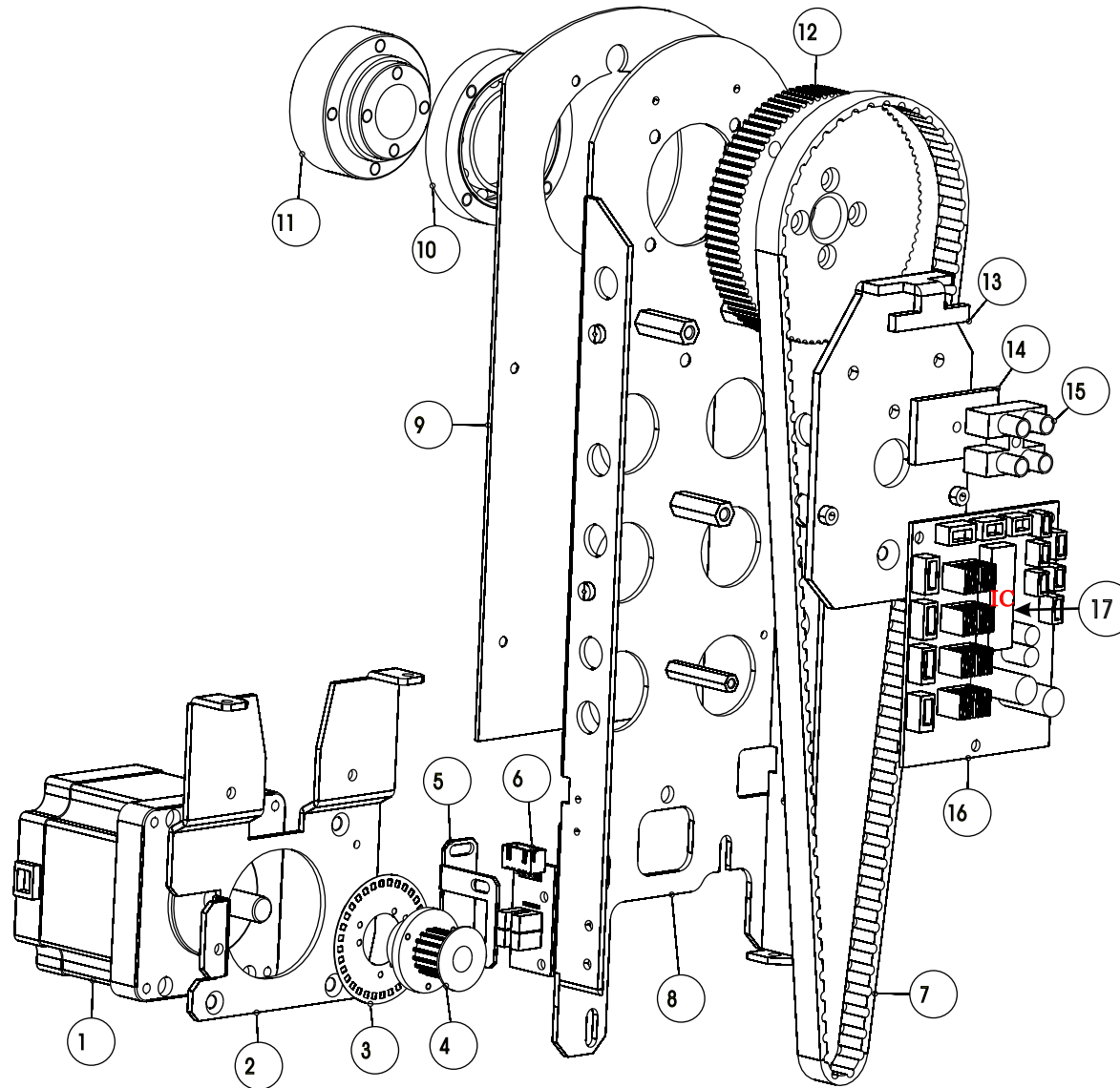
|          |  |                  |              |          |            |
|----------|--|------------------|--------------|----------|------------|
| PRODUCT  |  | <b>PT320S-R</b>  |              |          |            |
| PIC. NO. |  | 00-0241-01-03-00 |              |          |            |
| EDIT     |  | FILE NO.         | HY-EXP-1012A | PAGE NO. | 5/26       |
| CHECK    |  | VERSION          | NR           | DATE     | 2012.08.10 |
| APPROVE  |  | ECN NO.          |              | DATE     |            |



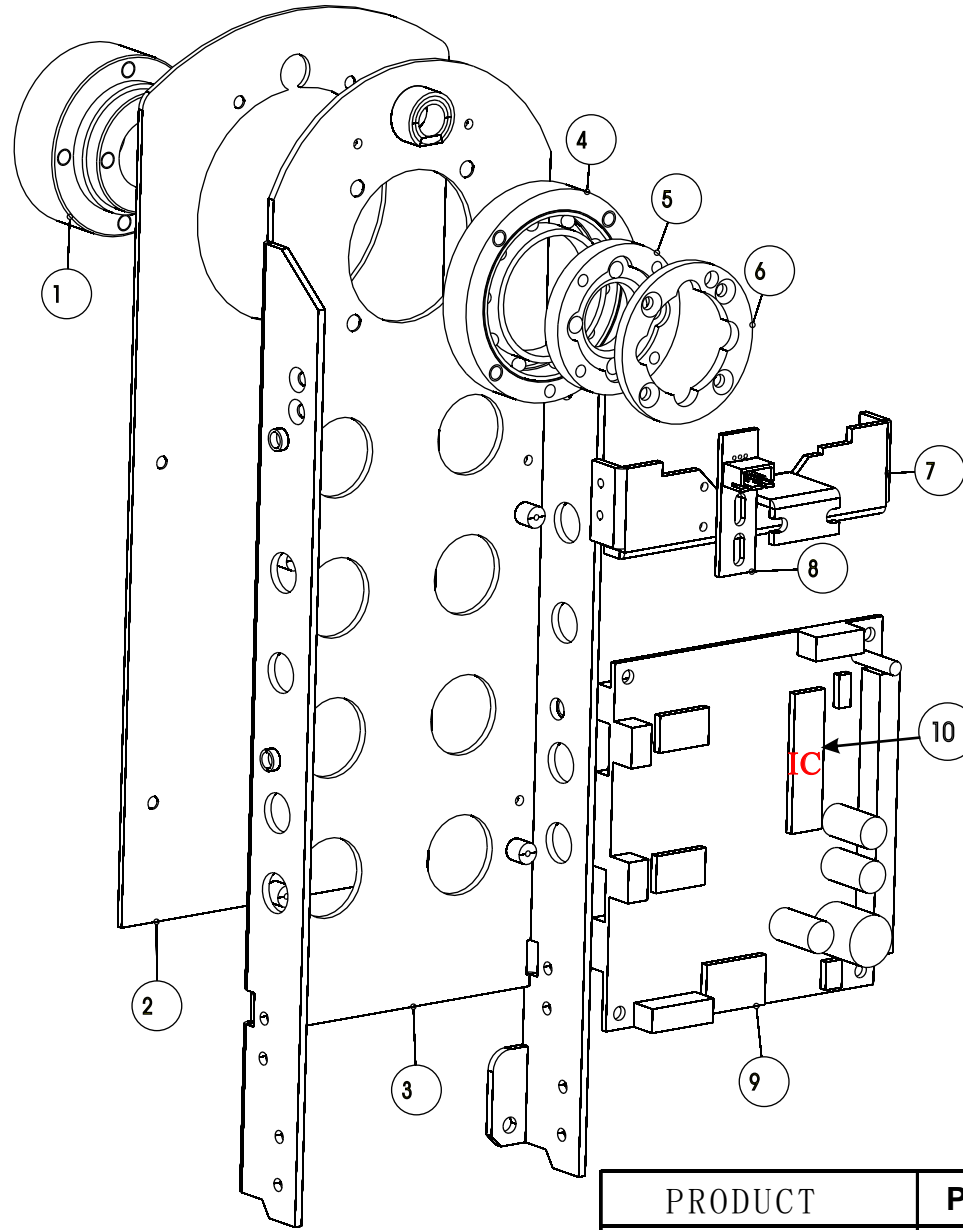
|          |  |                  |              |          |            |
|----------|--|------------------|--------------|----------|------------|
| PRODUCT  |  | <b>PT320S-R</b>  |              |          |            |
| PIC. NO. |  | 00-0241-02-00-00 |              |          |            |
| EDIT     |  | FILE NO.         | HY-EXP-1012A | PAGE NO. | 6/26       |
| CHECK    |  | VERSION          | NR           | DATE     | 2012.08.10 |
| APPROVE  |  | ECN NO.          |              | DATE     |            |



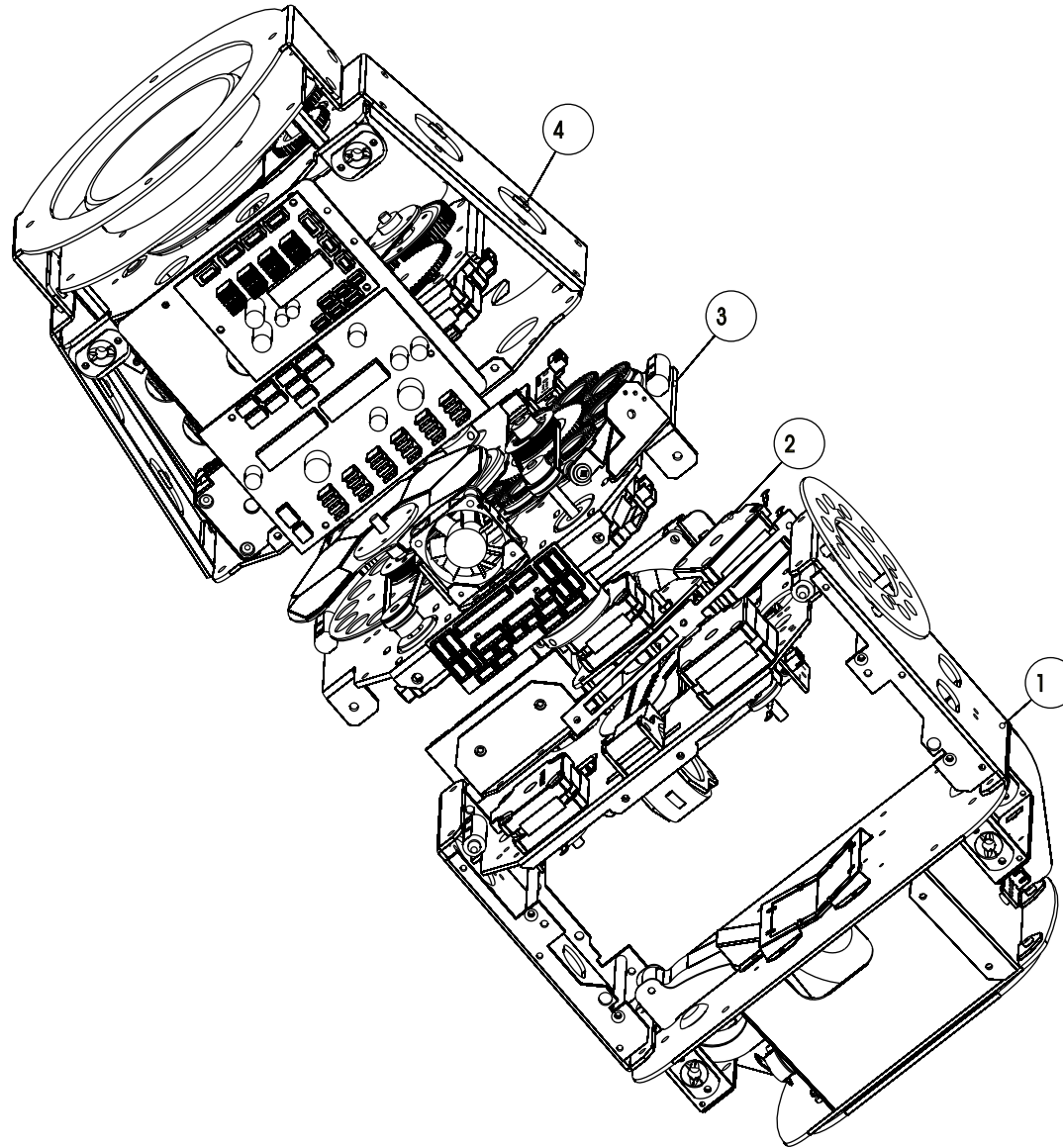
|          |  |                  |              |          |            |
|----------|--|------------------|--------------|----------|------------|
| PRODUCT  |  | <b>PT320S-R</b>  |              |          |            |
| PIC. NO. |  | 00-0241-03-00-00 |              |          |            |
| EDIT     |  | FILE NO.         | HY-EXP-1012A | PAGE NO. | 7/26       |
| CHECK    |  | VERSION          | NR           | DATE     | 2012.08.10 |
| APPROVE  |  | ECN NO.          |              | DATE     |            |



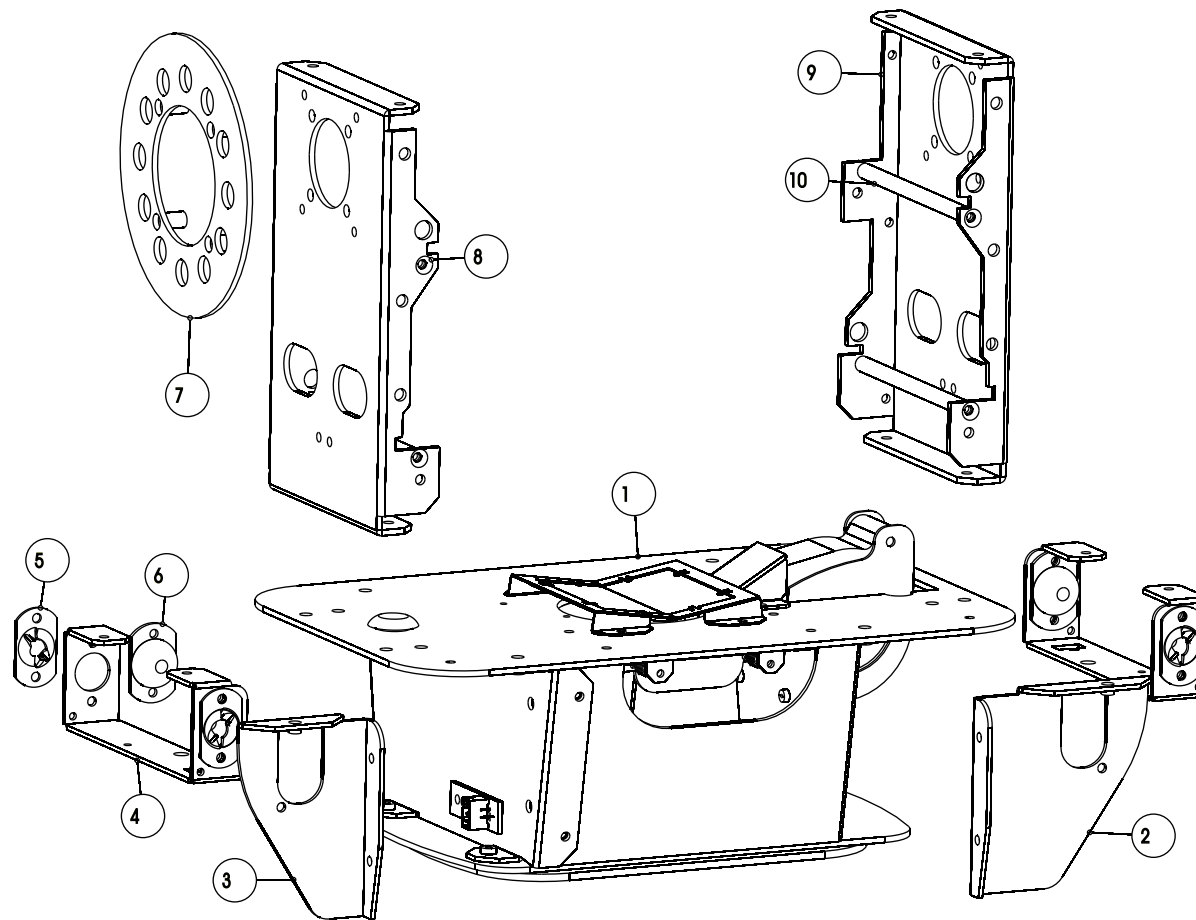
|          |  |                  |              |          |            |
|----------|--|------------------|--------------|----------|------------|
| PRODUCT  |  | <b>PT320S-R</b>  |              |          |            |
| PIC. NO. |  | 00-0241-03-01-00 |              |          |            |
| EDIT     |  | FILE NO.         | HY-EXP-1012A | PAGE NO. | 8/26       |
| CHECK    |  | VERSION          | NR           | DATE     | 2012.08.10 |
| APPROVE  |  | ECN NO.          |              | DATE     |            |



|          |  |                  |              |          |            |
|----------|--|------------------|--------------|----------|------------|
| PRODUCT  |  | <b>PT320S-R</b>  |              |          |            |
| PIC. NO. |  | 00-0241-03-02-00 |              |          |            |
| EDIT     |  | FILE NO.         | HY-EXP-1012A | PAGE NO. | 9/26       |
| CHECK    |  | VERSION          | NR           | DATE     | 2012.08.10 |
| APPROVE  |  | ECN NO.          |              | DATE     |            |

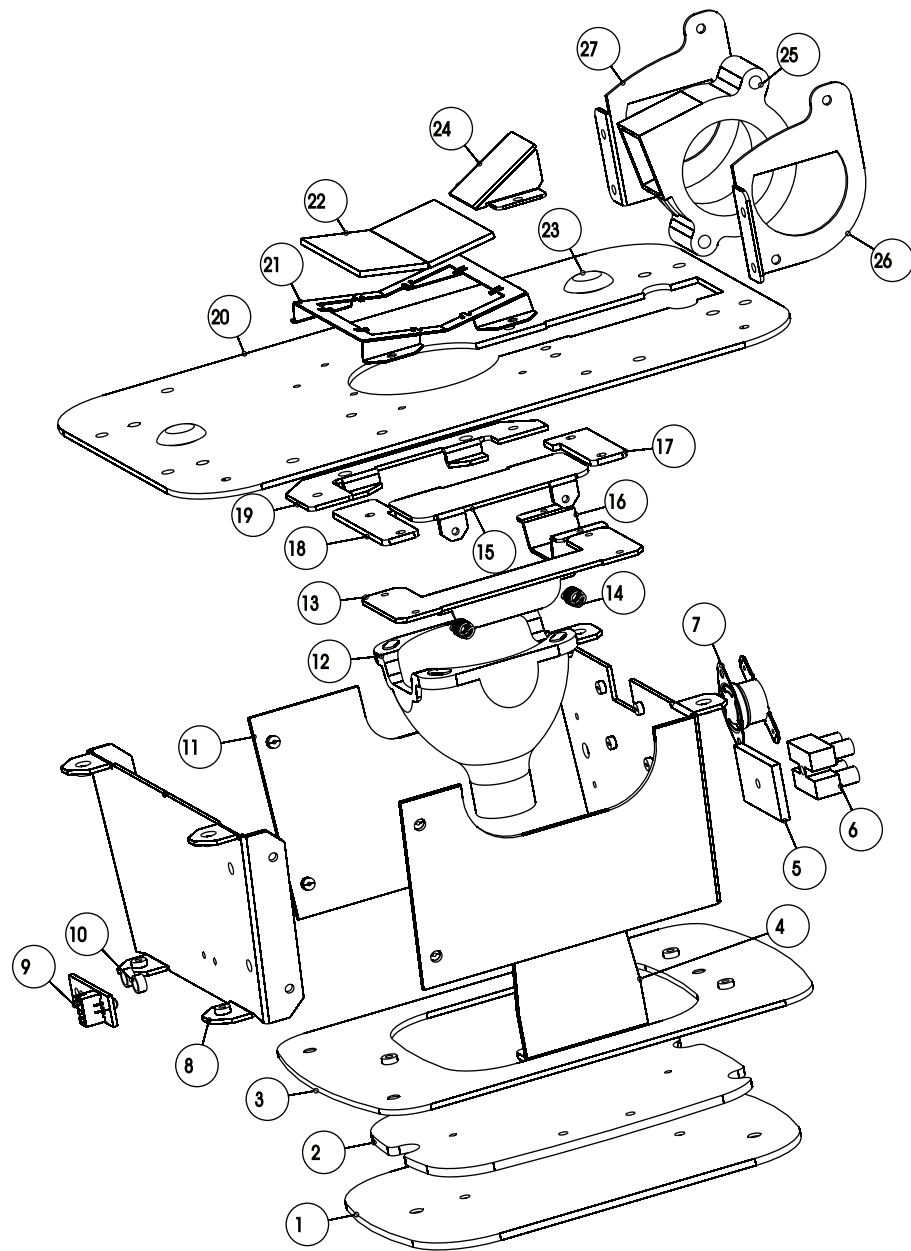


|          |  |                  |              |          |            |
|----------|--|------------------|--------------|----------|------------|
| PRODUCT  |  | <b>PT320S-R</b>  |              |          |            |
| PIC. NO. |  | 00-0241-04-00-00 |              |          |            |
| EDIT     |  | FILE NO.         | HY-EXP-1012A | PAGE NO. | 10/26      |
| CHECK    |  | VERSION          | NR           | DATE     | 2012.08.10 |
| APPROVE  |  | ECN NO.          |              | DATE     |            |

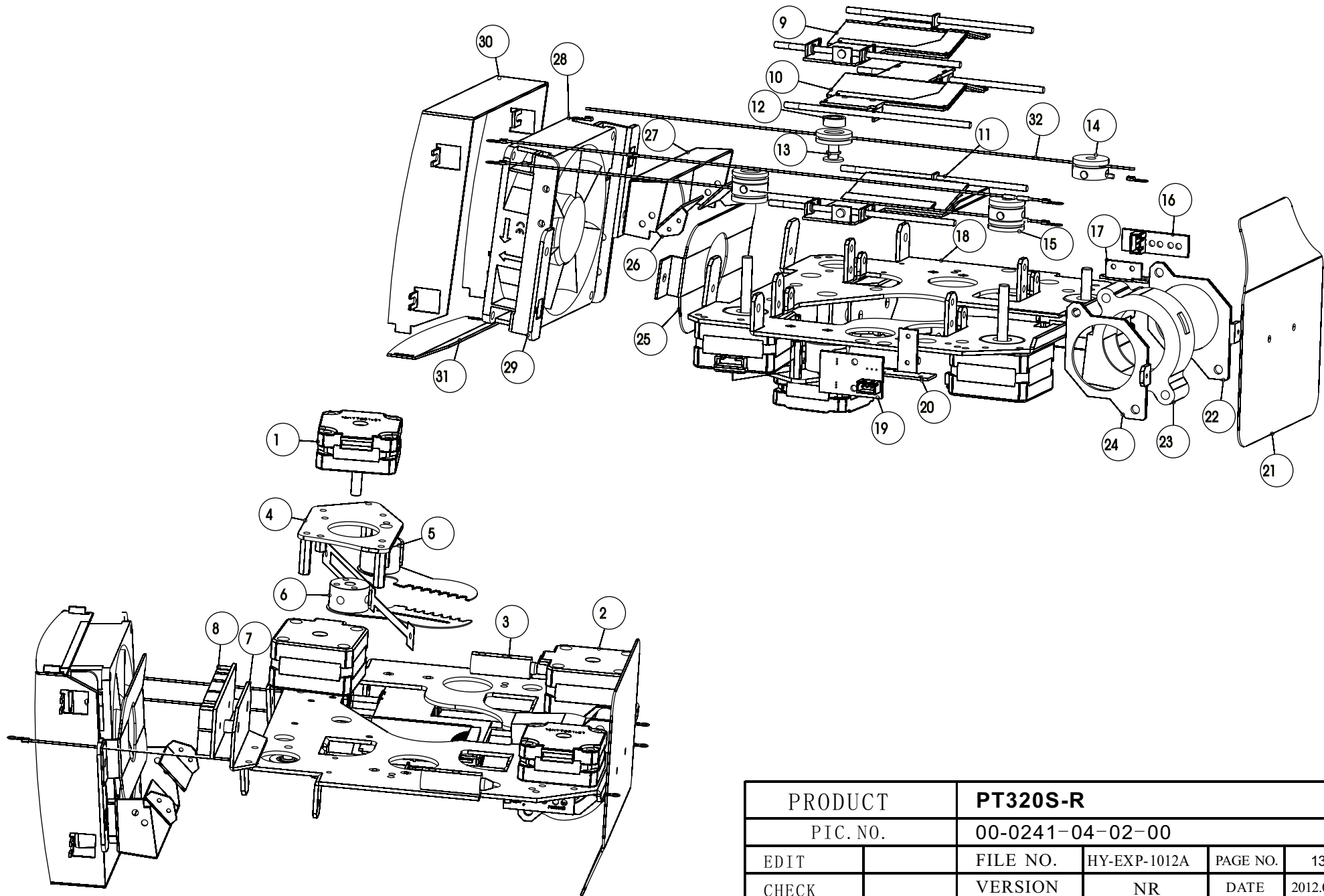


|          |  |                  |              |          |            |
|----------|--|------------------|--------------|----------|------------|
| PRODUCT  |  | <b>PT320S-R</b>  |              |          |            |
| PIC. NO. |  | 00-0241-04-01-00 |              |          |            |
| EDIT     |  | FILE NO.         | HY-EXP-1012A | PAGE NO. | 11/26      |
| CHECK    |  | VERSION          | NR           | DATE     | 2012.08.10 |
| APPROVE  |  | ECN NO.          |              | DATE     |            |

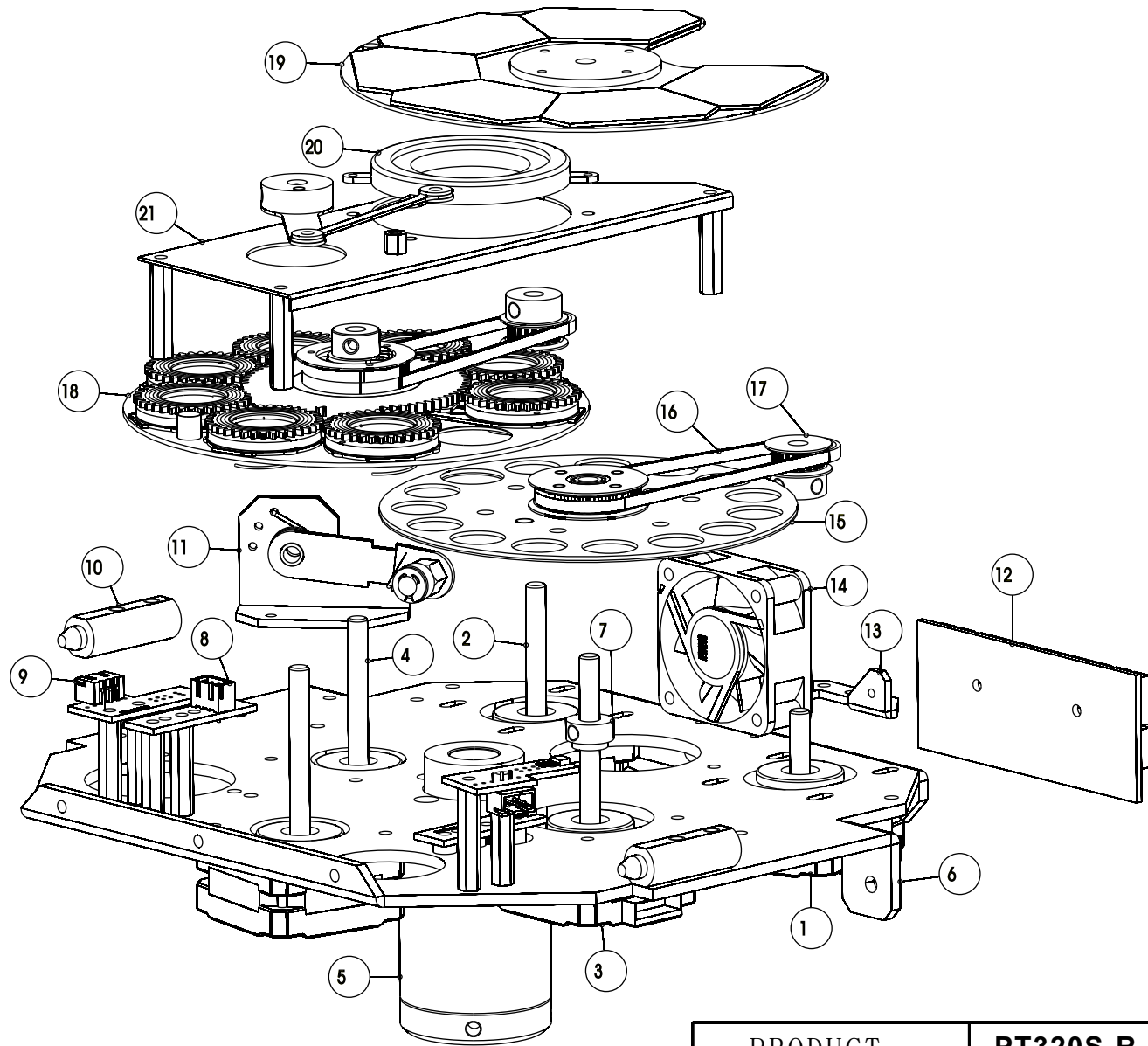




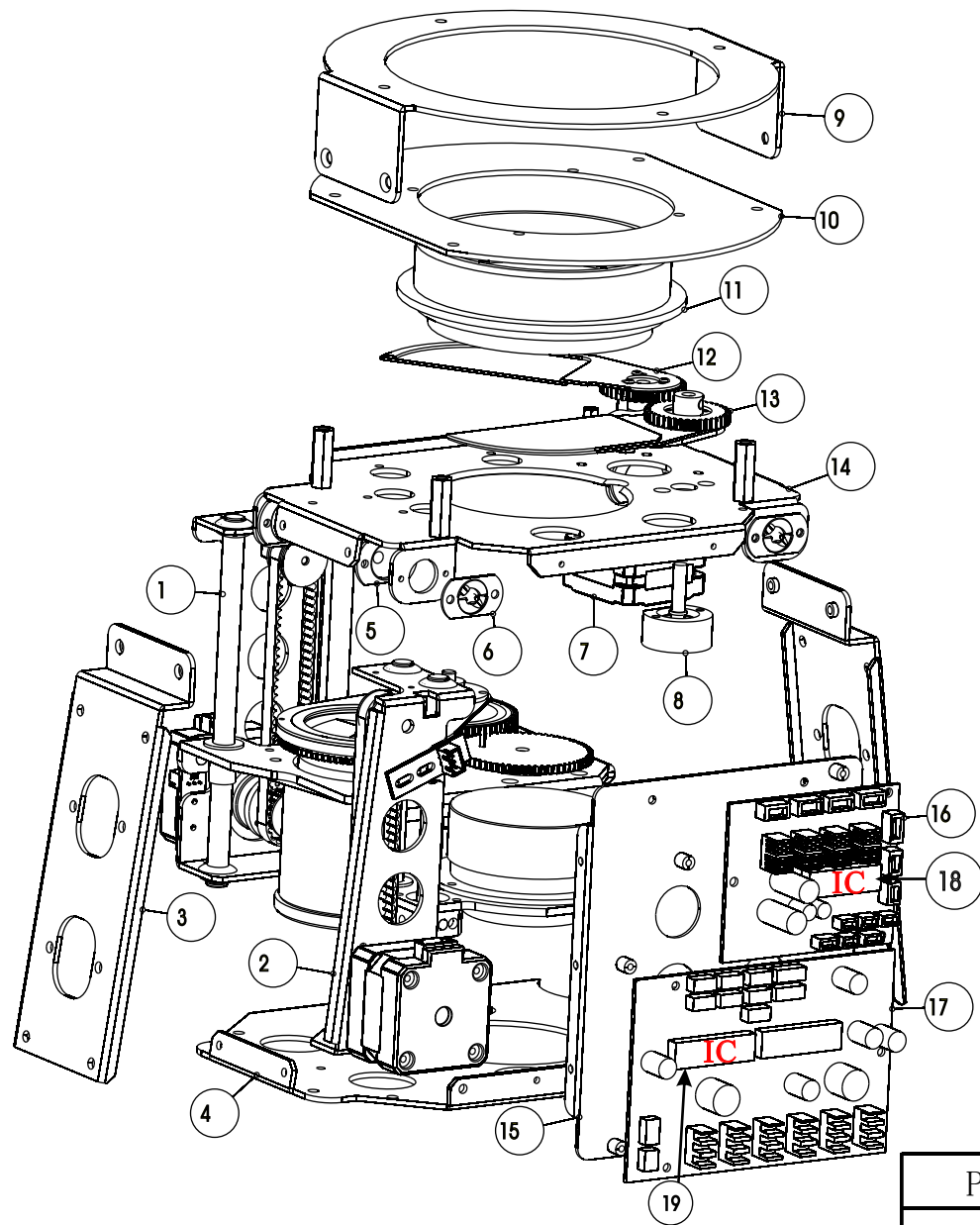
|          |  |                  |              |          |            |
|----------|--|------------------|--------------|----------|------------|
| PRODUCT  |  | <b>PT320S-R</b>  |              |          |            |
| PIC. NO. |  | 10-0145-04-01-02 |              |          |            |
| EDIT     |  | FILE NO.         | HY-EXP-1012A | PAGE NO. | 12/26      |
| CHECK    |  | VERSION          | NR           | DATE     | 2012.08.10 |
| APPROVE  |  | ECN NO.          |              | DATE     |            |



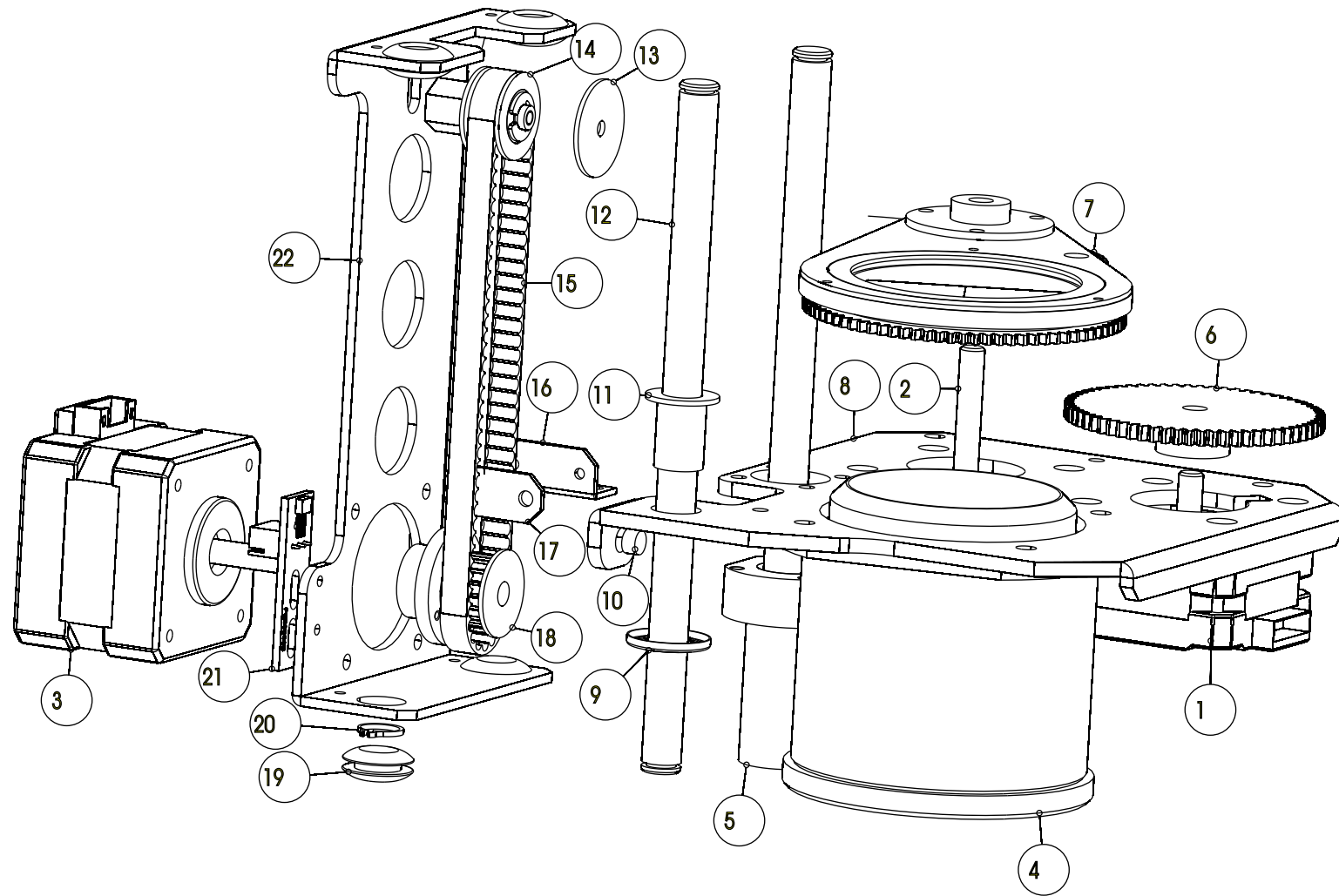
|          |  |                  |              |          |            |
|----------|--|------------------|--------------|----------|------------|
| PRODUCT  |  | <b>PT320S-R</b>  |              |          |            |
| PIC. NO. |  | 00-0241-04-02-00 |              |          |            |
| EDIT     |  | FILE NO.         | HY-EXP-1012A | PAGE NO. | 13/26      |
| CHECK    |  | VERSION          | NR           | DATE     | 2012.08.10 |
| APPROVE  |  | ECN NO.          |              | DATE     |            |



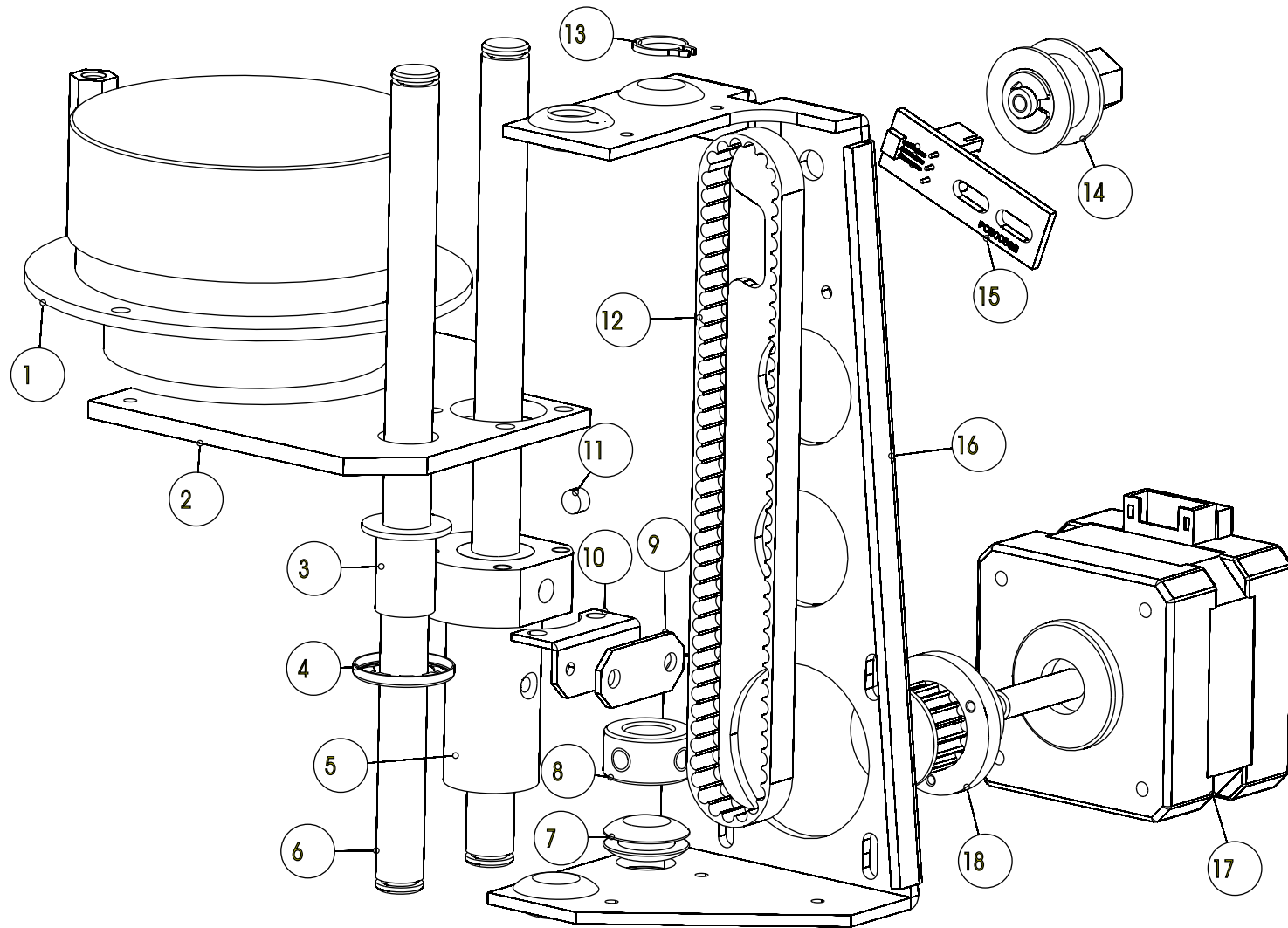
|          |  |                  |              |          |            |
|----------|--|------------------|--------------|----------|------------|
| PRODUCT  |  | <b>PT320S-R</b>  |              |          |            |
| PIC. NO. |  | 00-0204-04-03-00 |              |          |            |
| EDIT     |  | FILE NO.         | HY-EXP-1012A | PAGE NO. | 14/26      |
| CHECK    |  | VERSION          | NR           | DATE     | 2012.08.10 |
| APPROVE  |  | ECN NO.          |              | DATE     |            |



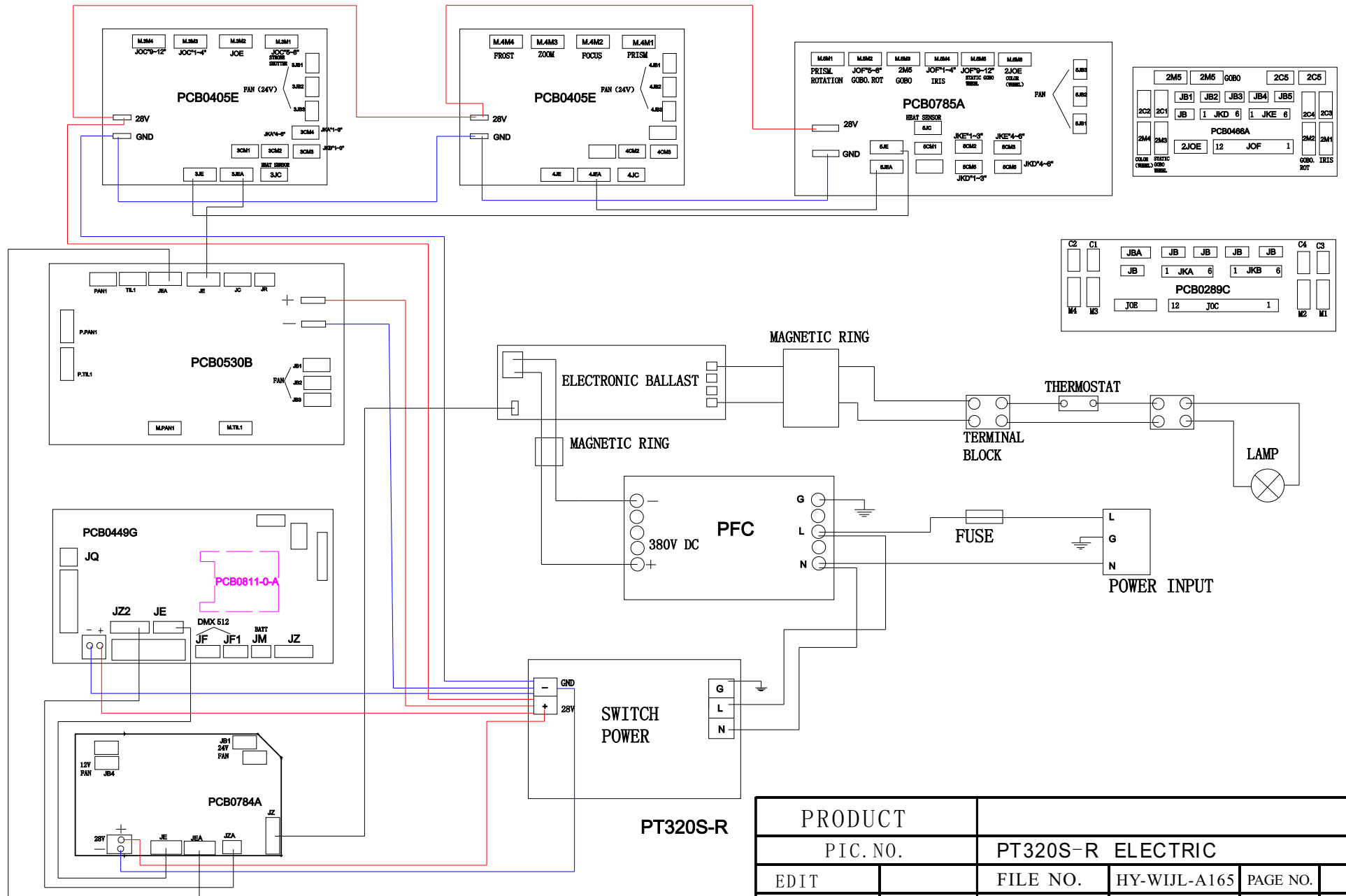
|          |  |                  |              |          |            |
|----------|--|------------------|--------------|----------|------------|
| PRODUCT  |  | <b>PT320S-R</b>  |              |          |            |
| PIC. NO. |  | 00-0241-04-04-00 |              |          |            |
| EDIT     |  | FILE NO.         | HY-EXP-1012A | PAGE NO. | 15/26      |
| CHECK    |  | VERSION          | NR           | DATE     | 2012.08.10 |
| APPROVE  |  | ECN NO.          |              | DATE     |            |



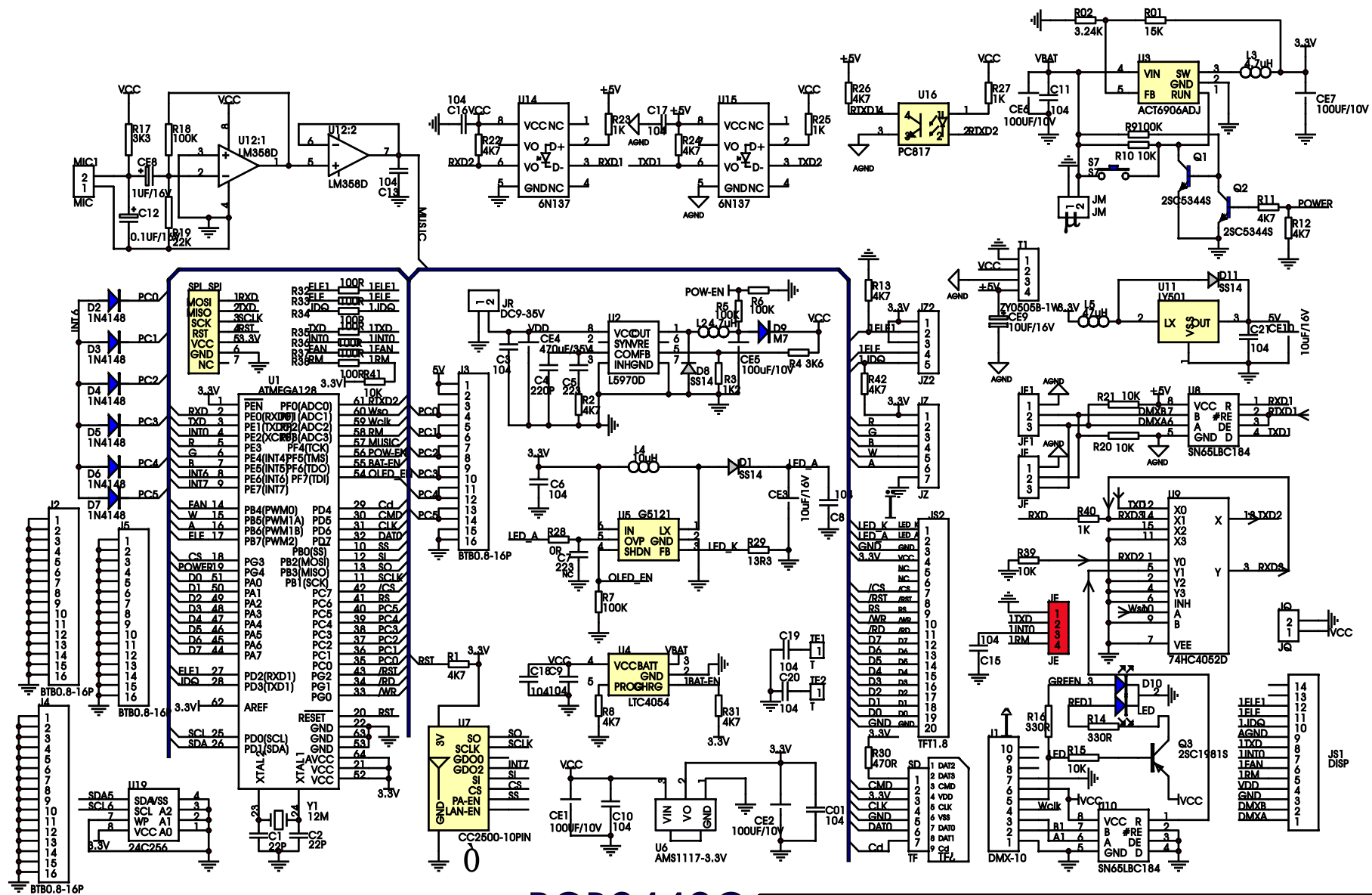
|          |  |                             |              |          |            |
|----------|--|-----------------------------|--------------|----------|------------|
| PRODUCT  |  | <b>PT320S-R</b>             |              |          |            |
| PIC. NO. |  | 05-A001-V320S-03-5-02-A_A00 |              |          |            |
| EDIT     |  | FILE NO.                    | HY-EXP-1012A | PAGE NO. | 16/26      |
| CHECK    |  | VERSION                     | NR           | DATE     | 2012.08.10 |
| APPROVE  |  | ECN NO.                     |              | DATE     |            |



|          |  |                           |              |          |            |
|----------|--|---------------------------|--------------|----------|------------|
| PRODUCT  |  | PT320S-R                  |              |          |            |
| PIC. NO. |  | 07-A001-V320S-03-5-06_A00 |              |          |            |
| EDIT     |  | FILE NO.                  | HY-EXP-1012A | PAGE NO. | 17/26      |
| CHECK    |  | VERSION                   | NR           | DATE     | 2012.08.10 |
| APPROVE  |  | ECN NO.                   |              | DATE     |            |



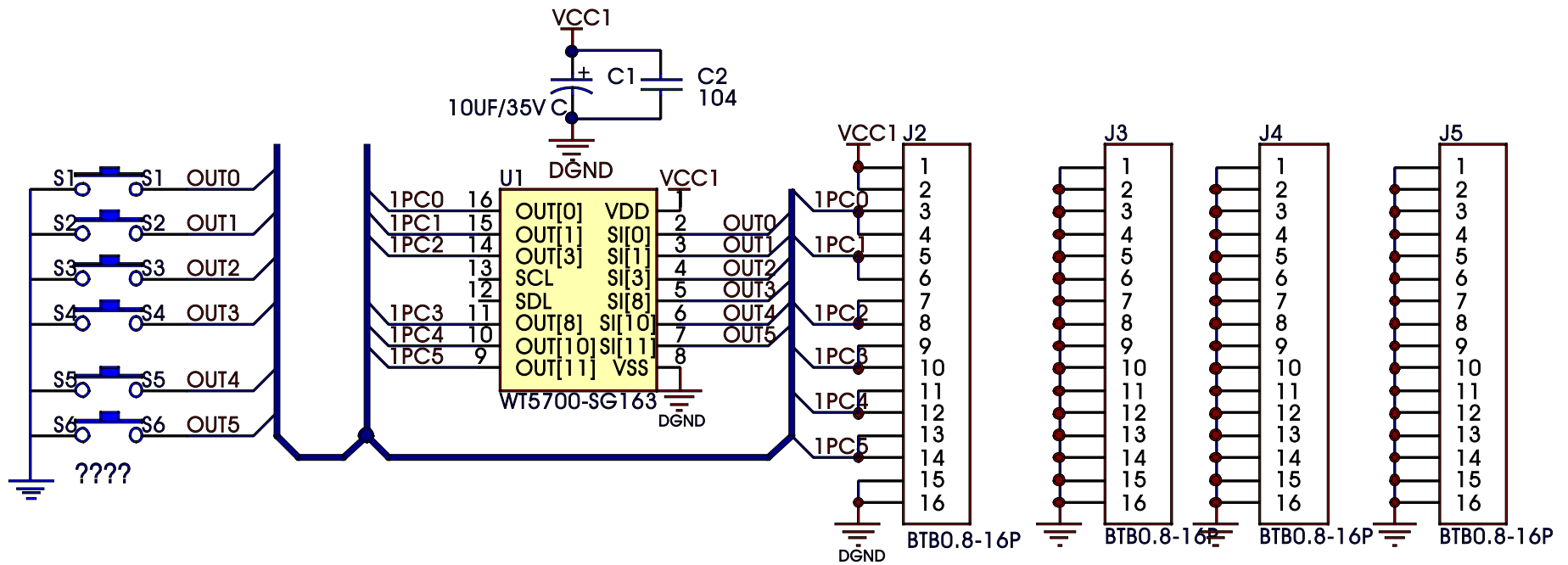
|          |  |                   |              |          |       |
|----------|--|-------------------|--------------|----------|-------|
| PRODUCT  |  |                   |              |          |       |
| PIC. NO. |  | PT320S-R ELECTRIC |              |          |       |
| EDIT     |  | FILE NO.          | HY-WIJL-A165 | PAGE NO. | 18/26 |
| CHECK    |  | VERSION           | NR           | DATE     |       |
| APPROVE  |  | ECN NO.           |              | DATE     |       |



# PCB0449G

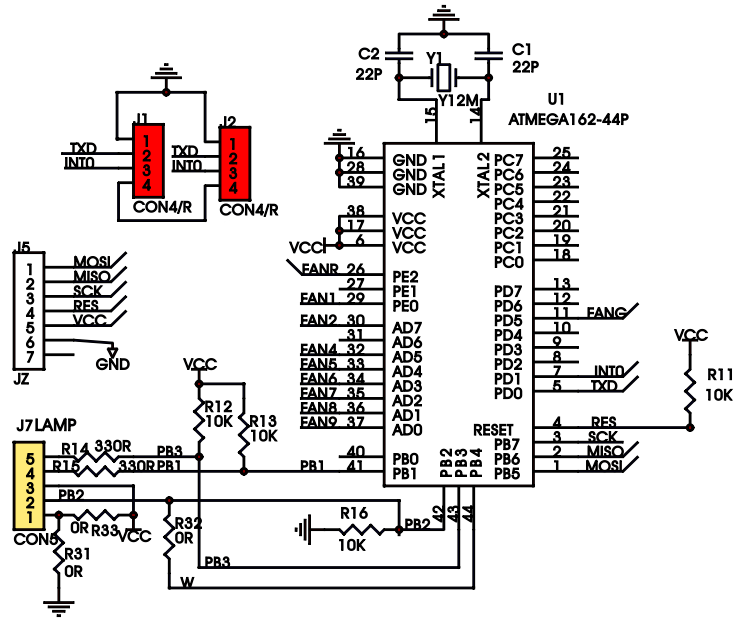
|          |  |                       |              |          |            |
|----------|--|-----------------------|--------------|----------|------------|
| PRODUCT  |  | PLATINUM BEAM 15R PRO |              |          |            |
| PIC. NO. |  | PCB0449G SCHEME       |              |          |            |
| EDIT     |  | FILE NO.              | HY-WIEC-0888 | PAGE NO. | 19/26      |
| CHECK    |  | VERSION               | NR           | DATE     | 2012.07.12 |
| APPROVE  |  | ECN NO.               |              | DATE     |            |



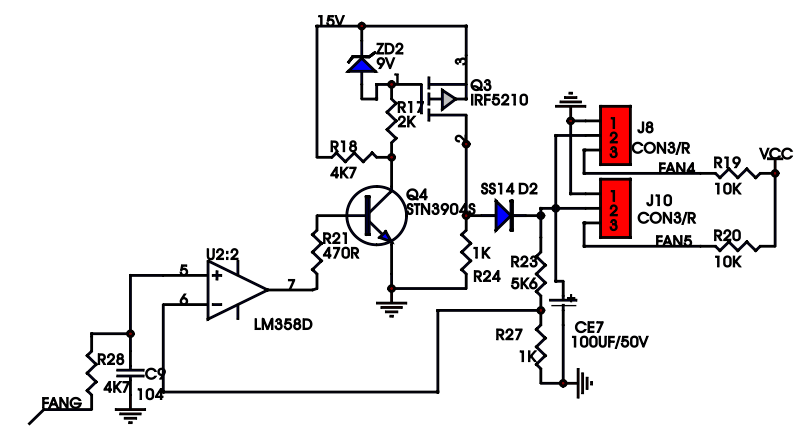
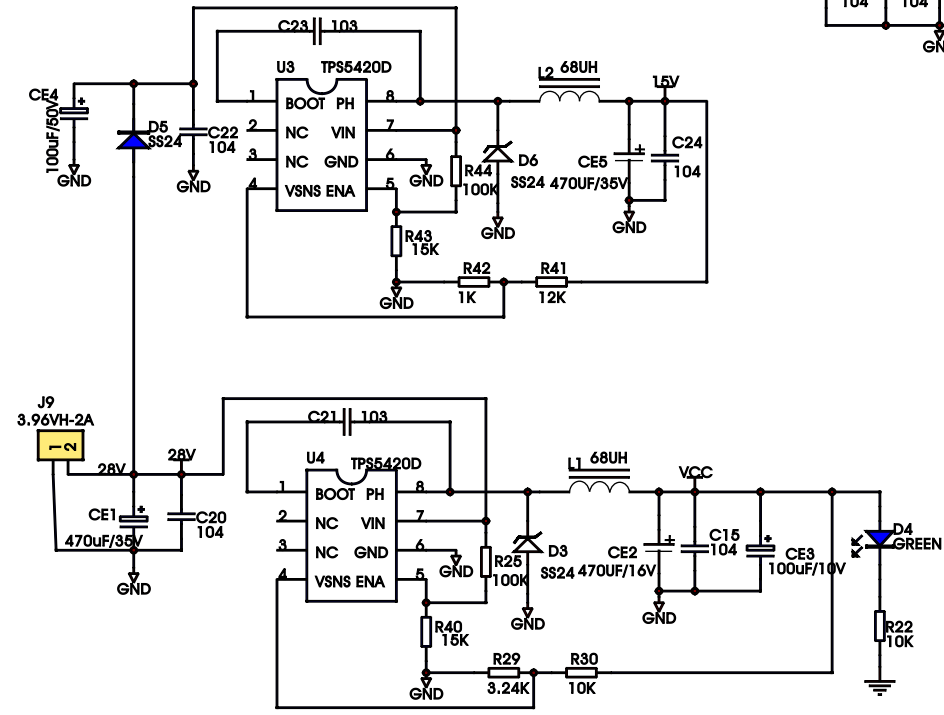
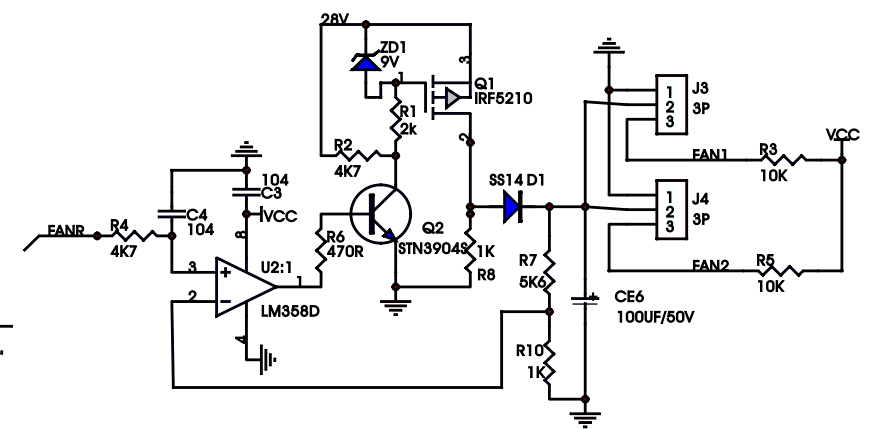
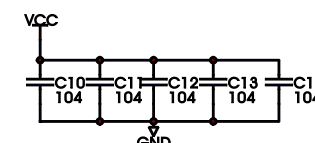
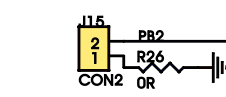


# PCB0811-0-A

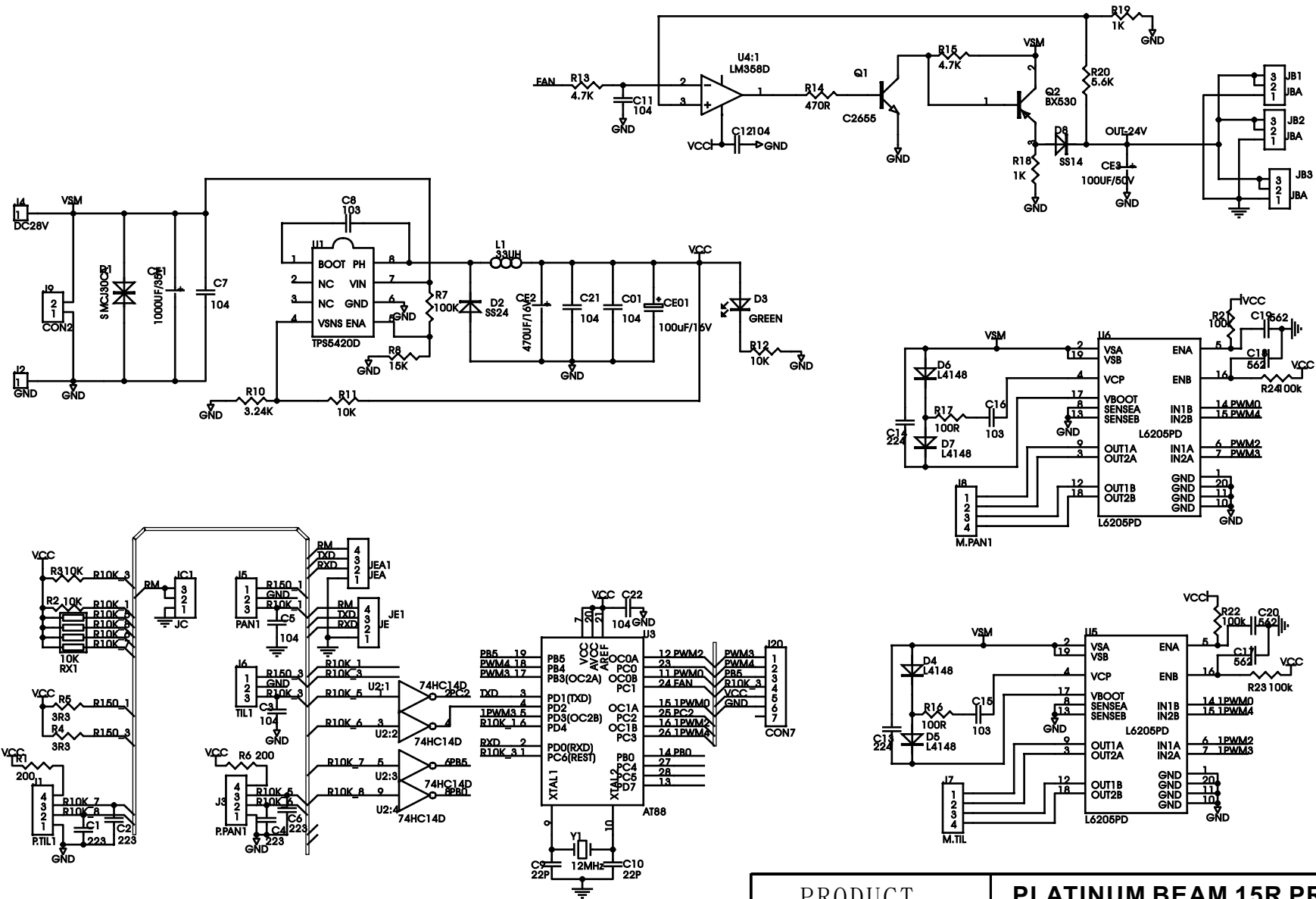
|          |  |                       |              |          |            |
|----------|--|-----------------------|--------------|----------|------------|
| PRODUCT  |  | PLATINUM BEAM 15R PRO |              |          |            |
| PIC. NO. |  | PCB0811-0-A SCHEME    |              |          |            |
| EDIT     |  | FILE NO.              | HY-WIEC-0996 | PAGE NO. | 20/26      |
| CHECK    |  | VERSION               | NR           | DATE     | 2012.07.12 |
| APPROVE  |  | ECN NO.               |              | DATE     |            |



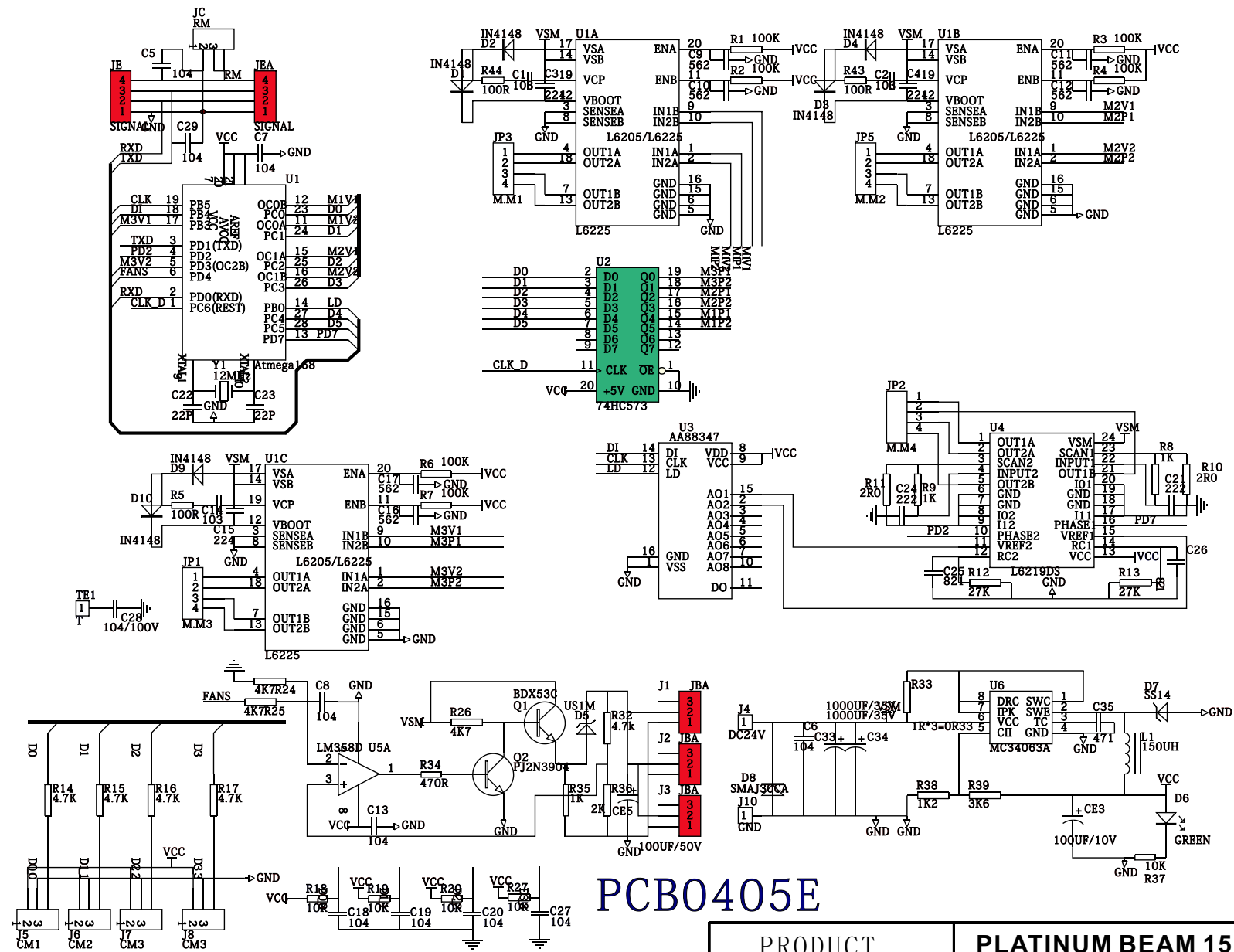
# PCB0784A



|          |                       |              |          |            |  |
|----------|-----------------------|--------------|----------|------------|--|
| PRODUCT  | PLATINUM BEAM 15R PRO |              |          |            |  |
| PIC. NO. | PCB0784A SCHEME       |              |          |            |  |
| EDIT     | FILE NO.              | HY-WIEC-0975 | PAGE NO. | 21/26      |  |
| CHECK    | VERSION               | NR           | DATE     | 2012.07.12 |  |
| APPROVE  | ECN NO.               |              | DATE     |            |  |

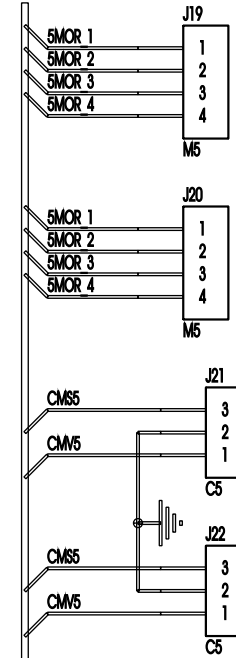
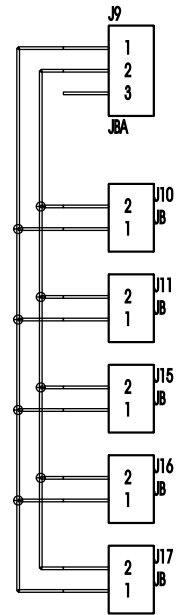
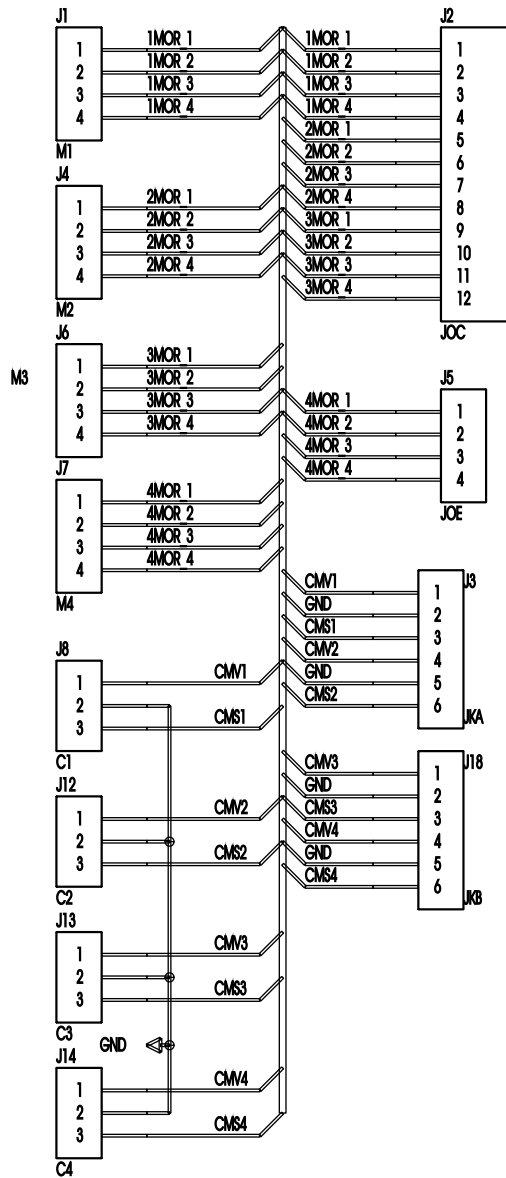


|          |  |                       |              |          |            |
|----------|--|-----------------------|--------------|----------|------------|
| PRODUCT  |  | PLATINUM BEAM 15R PRO |              |          |            |
| PIC. NO. |  | PCB0530B SCHEME       |              |          |            |
| EDIT     |  | FILE NO.              | HY-WIEC-0879 | PAGE NO. | 22/26      |
| CHECK    |  | VERSION               | NR           | DATE     | 2012.07.12 |
| APPROVE  |  | ECN NO.               |              | DATE     |            |

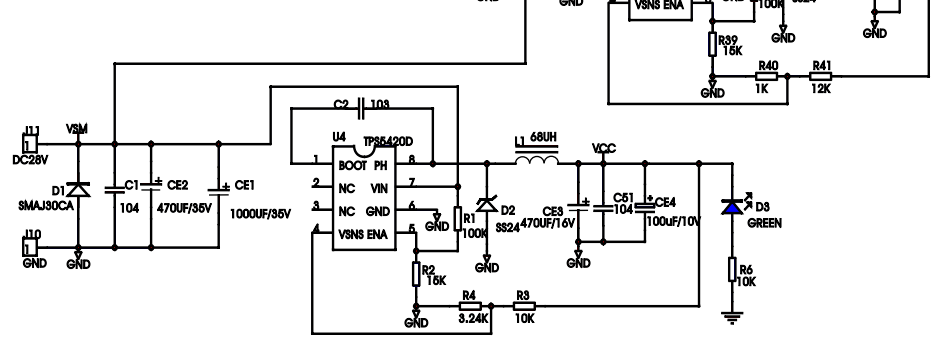
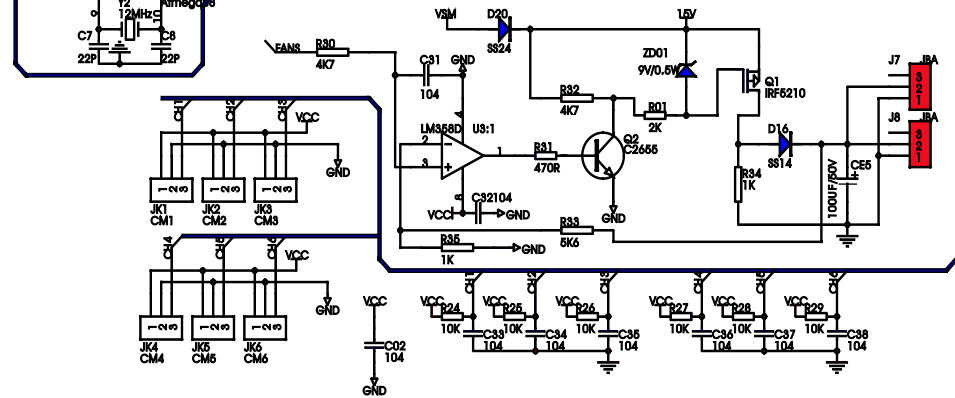
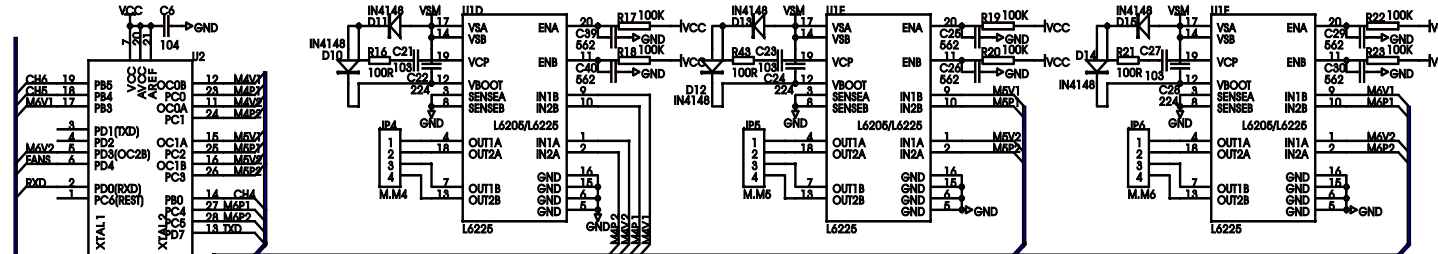
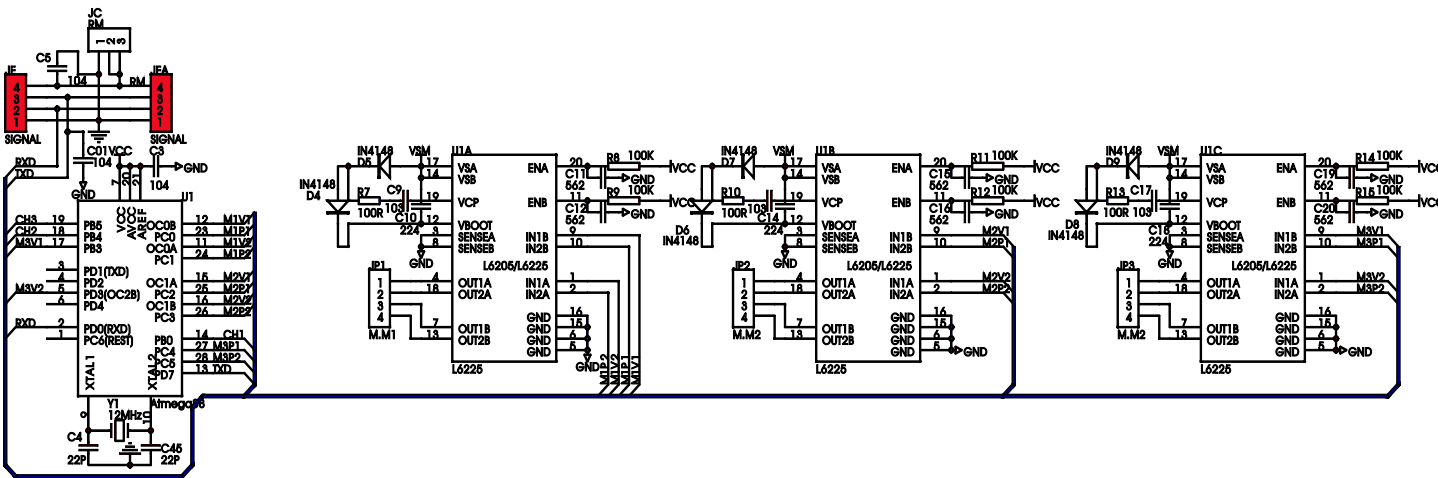


# PCB0405E

|          |  |                       |              |          |            |
|----------|--|-----------------------|--------------|----------|------------|
| PRODUCT  |  | PLATINUM BEAM 15R PRO |              |          |            |
| PIC. NO. |  | PCB0405E SCHEME       |              |          |            |
| EDIT     |  | FILE NO.              | HY-WIEC-0613 | PAGE NO. | 23/26      |
| CHECK    |  | VERSION               | NR           | DATE     | 2012.07.12 |
| APPROVE  |  | ECN NO.               |              | DATE     |            |

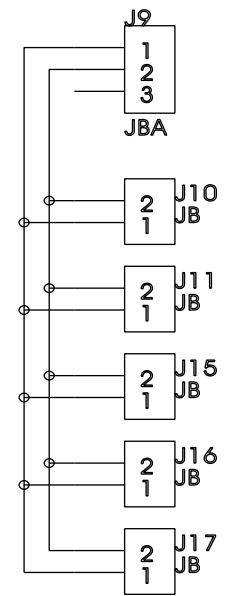
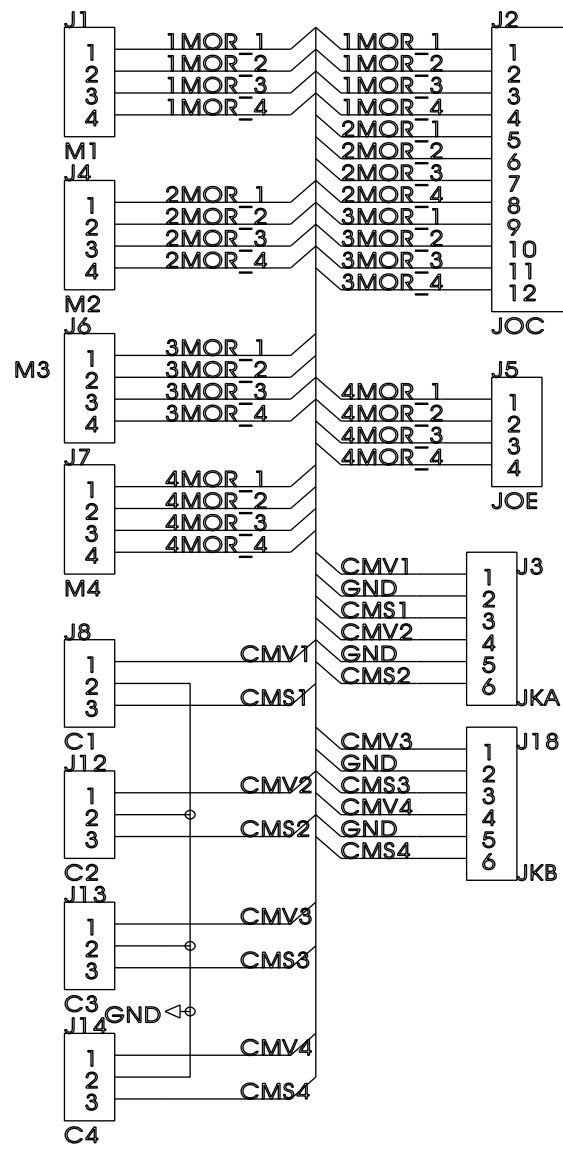


|          |  |                       |              |          |            |
|----------|--|-----------------------|--------------|----------|------------|
| PRODUCT  |  | PLATINUM BEAM 15R PRO |              |          |            |
| PIC. NO. |  | PCB0466A SCHEME       |              |          |            |
| EDIT     |  | FILE NO.              | HY-WIEC-0568 | PAGE NO. | 24/26      |
| CHECK    |  | VERSION               | NR           | DATE     | 2012.07.12 |
| APPROVE  |  | ECN NO.               |              | DATE     |            |



PCB0785A

|          |  |                       |              |          |            |
|----------|--|-----------------------|--------------|----------|------------|
| PRODUCT  |  | PLATINUM BEAM 15R PRO |              |          |            |
| PIC. NO. |  | PCB0785A SCHEME       |              |          |            |
| EDIT     |  | FILE NO.              | HY-WIEC-0976 | PAGE NO. | 25/26      |
| CHECK    |  | VERSION               | NR           | DATE     | 2012.07.12 |
| APPROVE  |  | ECN NO.               |              | DATE     |            |



PCB0289C

|          |  |                       |              |          |            |
|----------|--|-----------------------|--------------|----------|------------|
| PRODUCT  |  | PLATINUM BEAM 15R PRO |              |          |            |
| PIC. NO. |  | PCB0289C SCHEME       |              |          |            |
| EDIT     |  | FILE NO.              | HY-WIEC-0390 | PAGE NO. | 26/26      |
| CHECK    |  | VERSION               | NR           | DATE     | 2012.07.12 |
| APPROVE  |  | ECN NO.               |              | DATE     |            |