

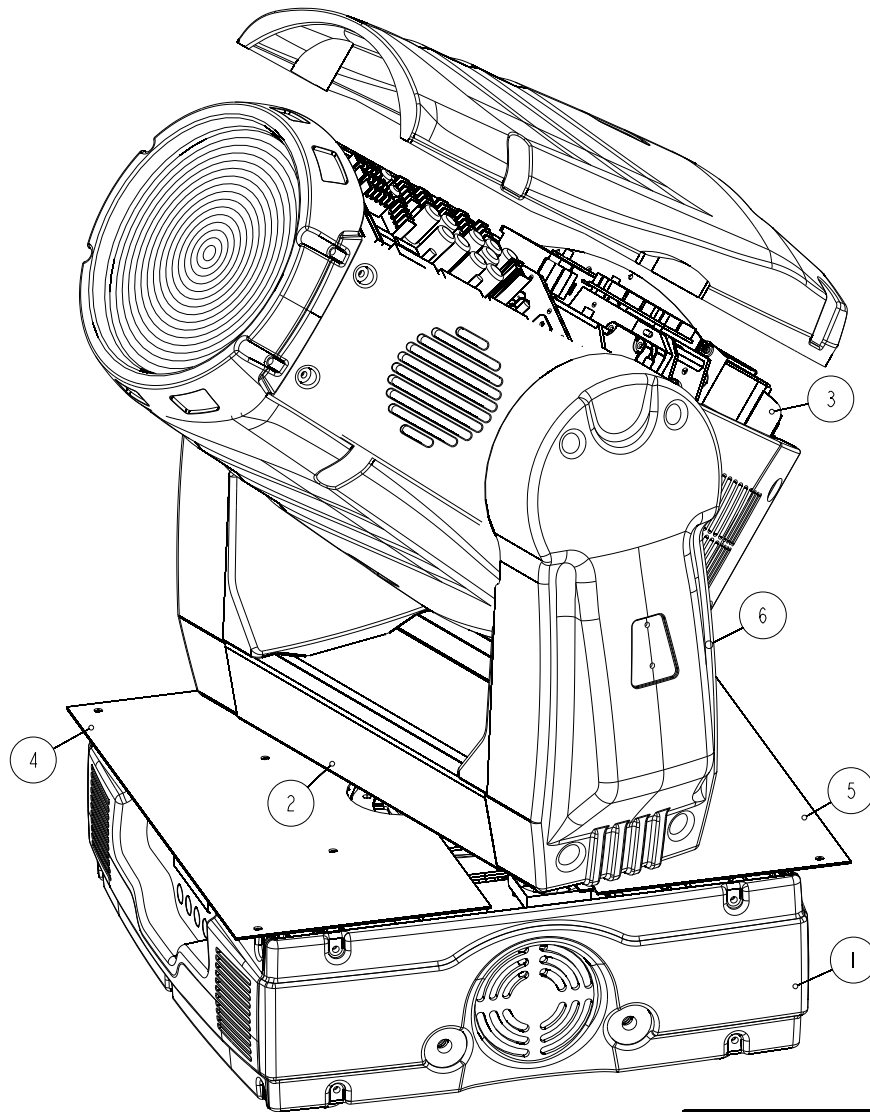
Service manual

FUTURELIGHT PHW-750E

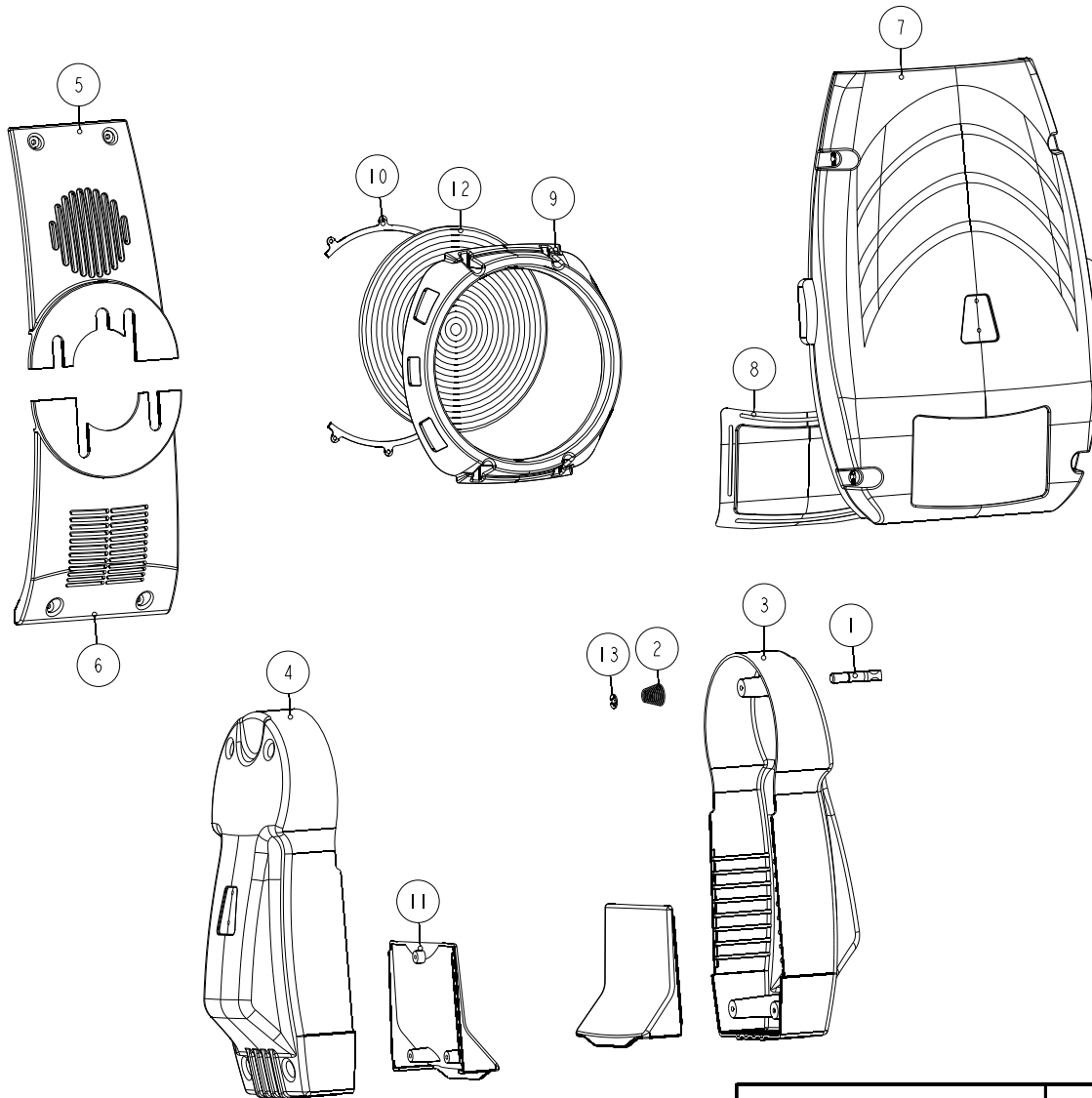
- ✘ **Exploded Diagrams**
- ✘ **Circuit Diagrams**
- ✘ **Wiring Diagrams**
- ✘ **Parts List**



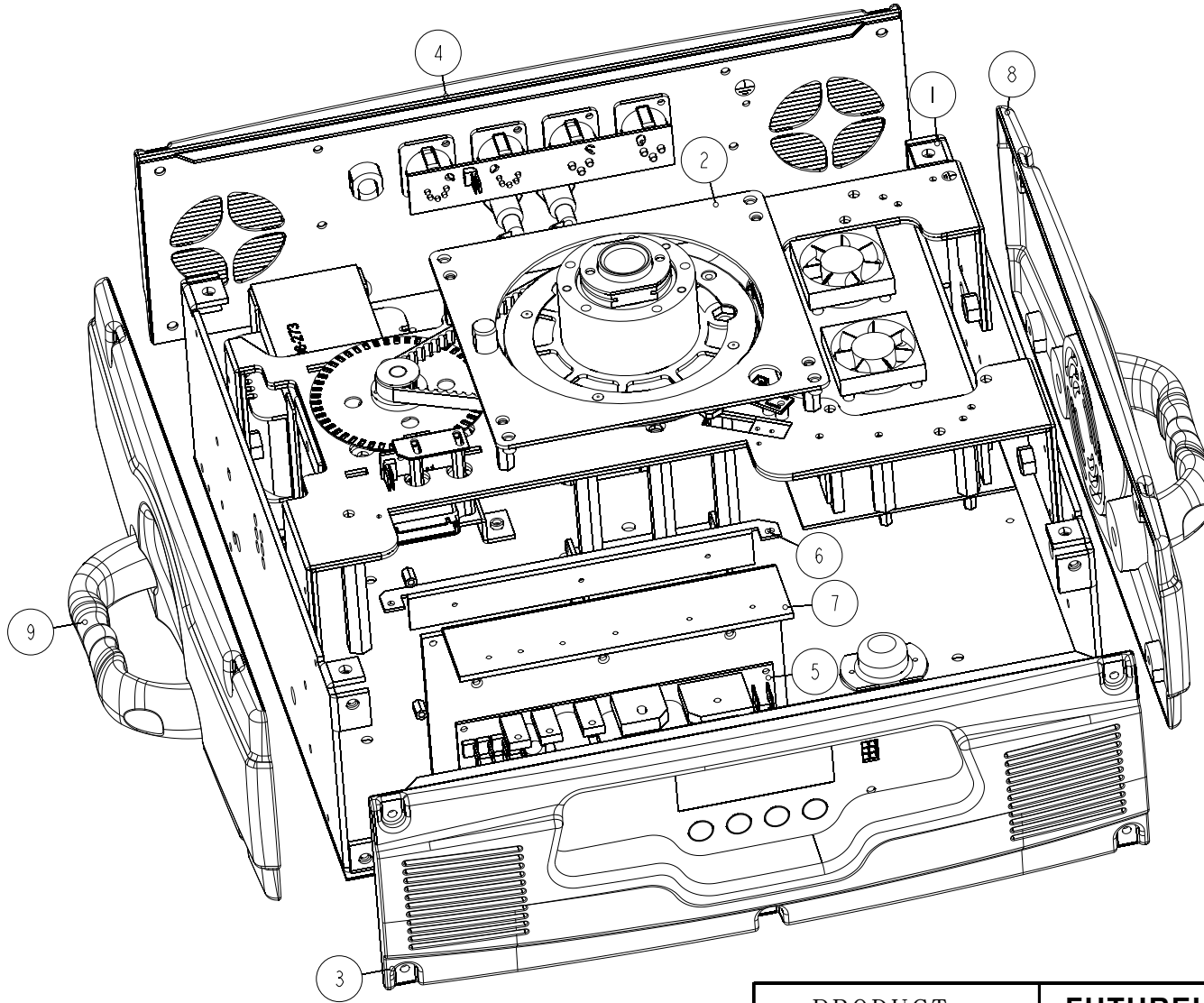
PRODUCT		FUTURELIGHT PHW-750E			
PIC. NO.		Front Page			
EDIT		FILE NO.			
CHECK		ORDER NO.			
APPROVE		VERSION	NR	VERSION	V1.0



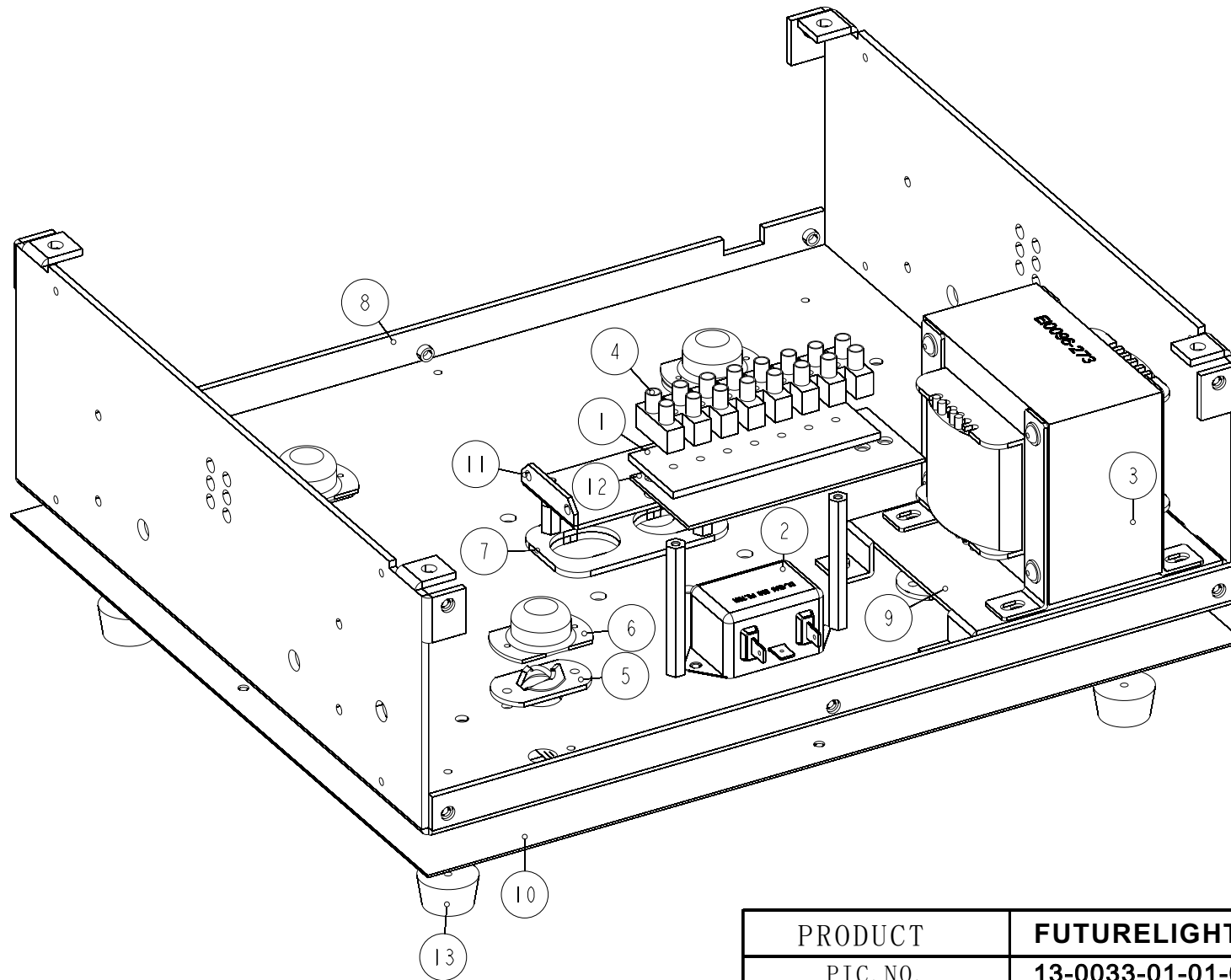
PRODUCT		FUTURELIGHT PHW-750E			
PIC. NO.		13-0046-00-00-00			
EDIT		FILE NO.		PAGE NO.	1/28
CHECK		VERSION	NR	DATE	2008.03.05
APPROVE		ECN NO.		DATE	



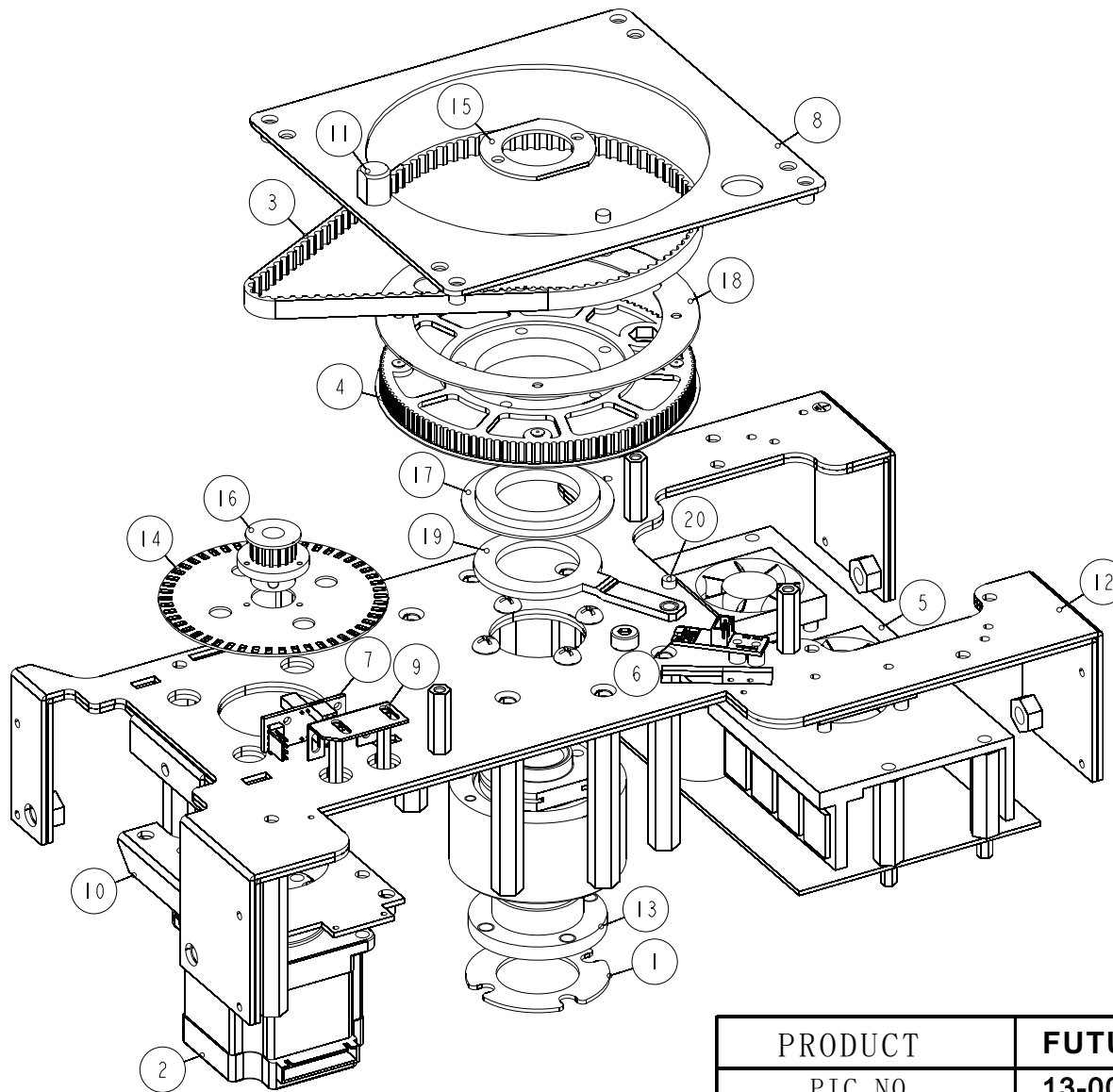
PRODUCT		FUTURELIGHT PHW-750E			
PIC. NO.		10-0051-00-00-SJK			
EDIT		FILE NO.		PAGE NO.	2/28
CHECK		VERSION	NR	DATE	2008.03.05
APPROVE		ECN NO.		DATE	



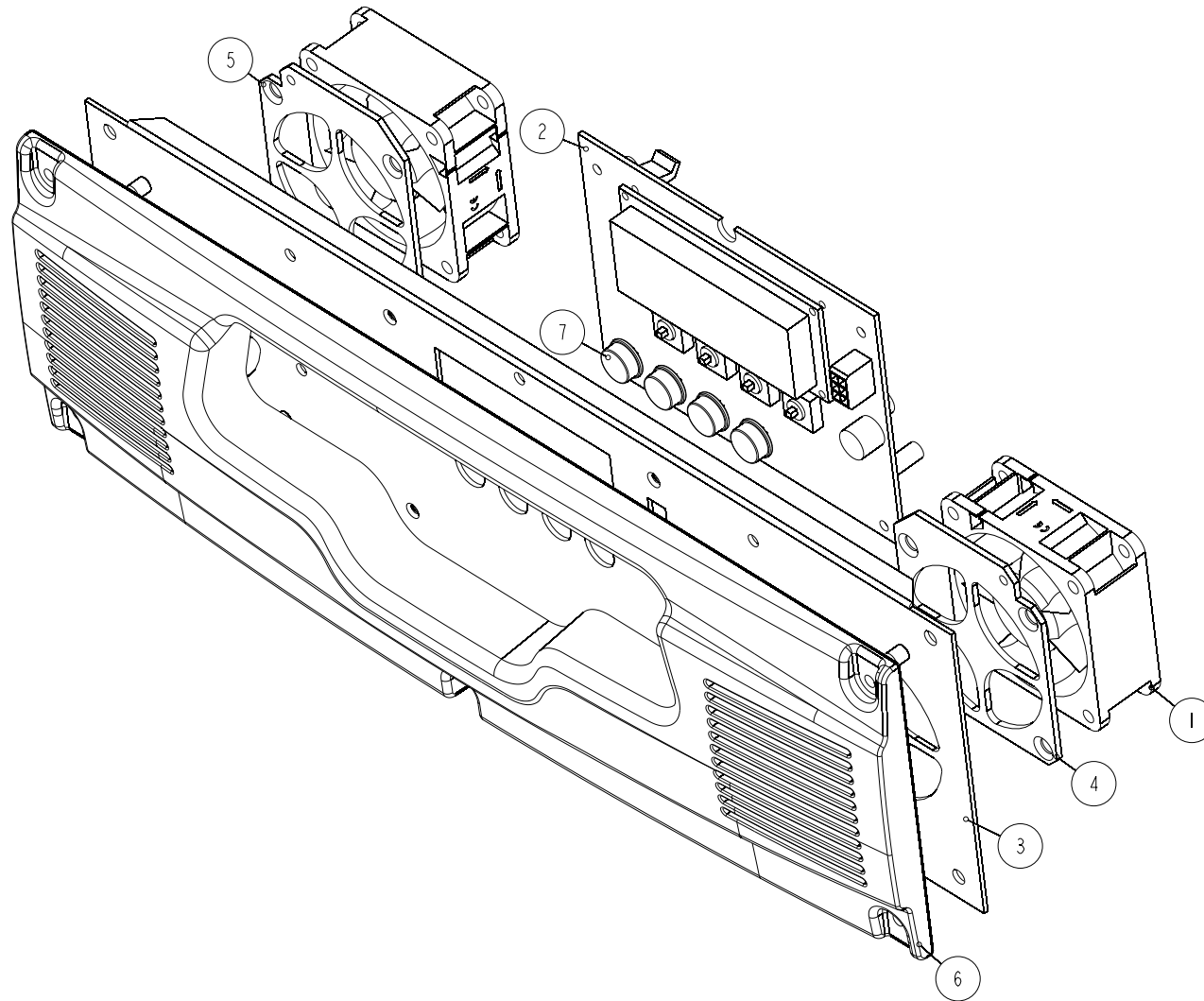
PRODUCT		FUTURELIGHT PHW-750E			
PIC. NO.		13-0046-01-00-00			
EDIT		FILE NO.		PAGE NO.	3/28
CHECK		VERSION	NR	DATE	2008.03.05
APPROVE		ECN NO.		DATE	



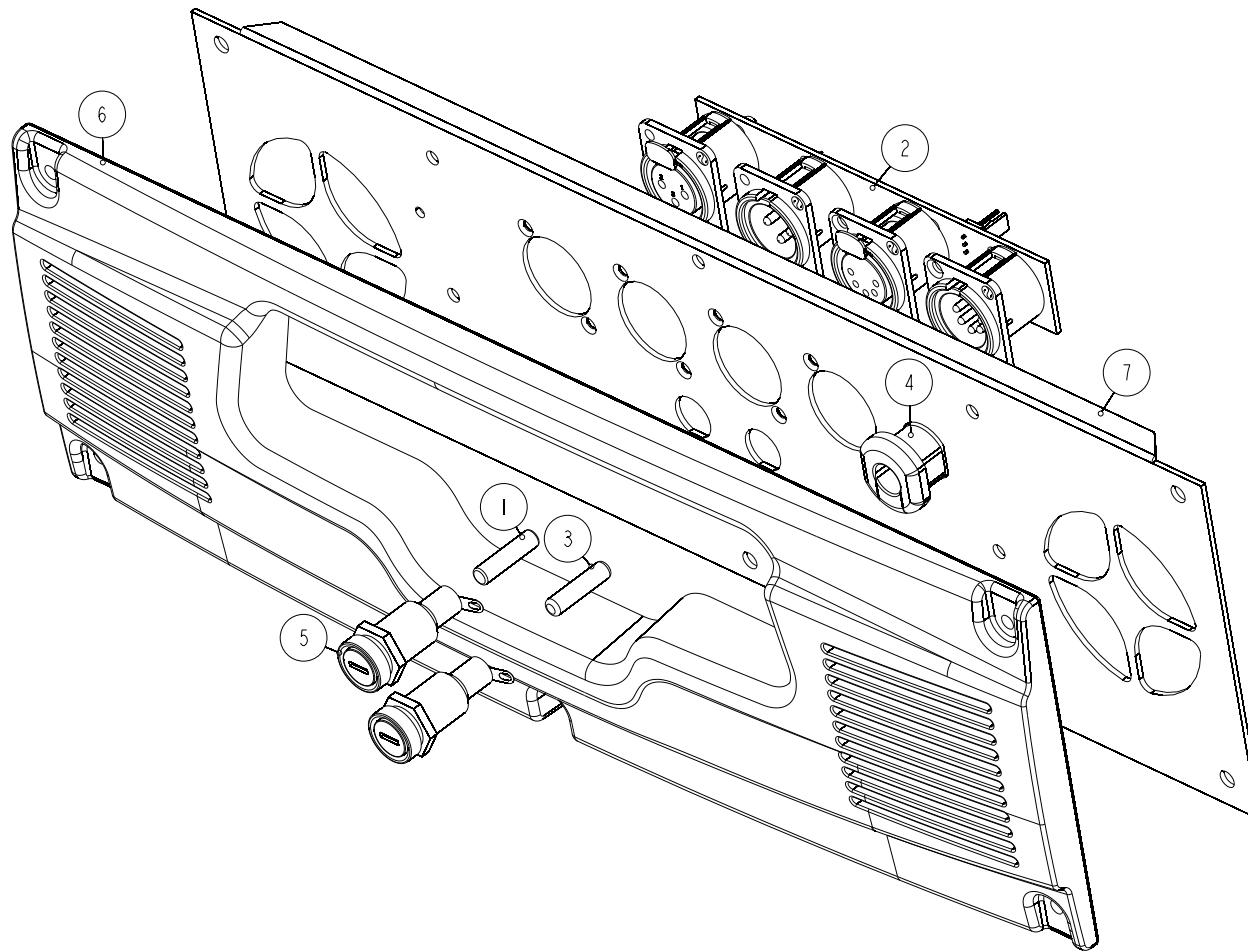
PRODUCT		FUTURELIGHT PHW-750E			
PIC. NO.		13-0033-01-01-00			
EDIT		FILE NO.		PAGE NO.	4/28
CHECK		VERSION	NR	DATE	2008.03.05
APPROVE		ECN NO.		DATE	



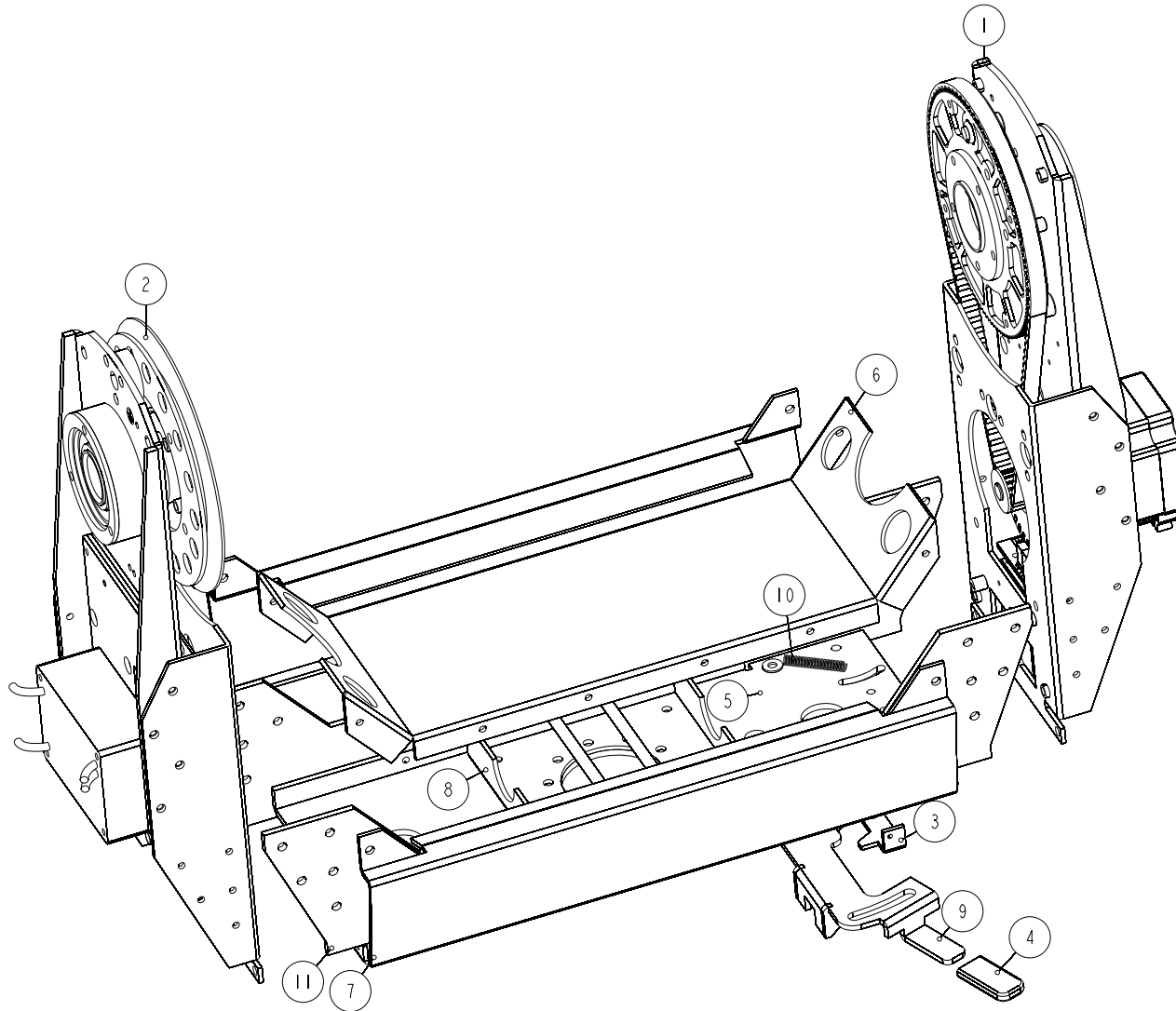
PRODUCT		FUTURELIGHT PHW-750E			
PIC. NO.		13-0046-01-02-00			
EDIT		FILE NO.		PAGE NO.	5/28
CHECK		VERSION	NR	DATE	2008.03.05
APPROVE		ECN NO.		DATE	



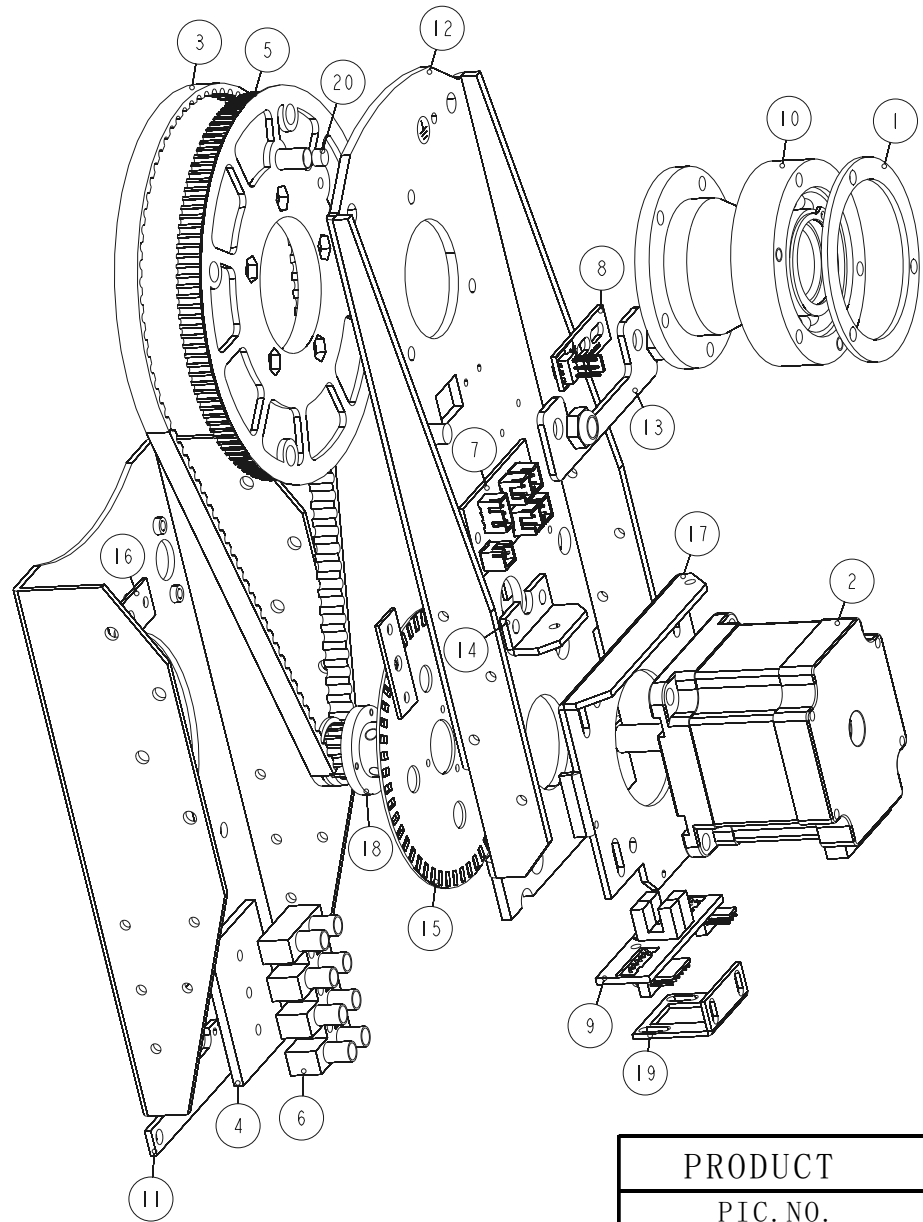
PRODUCT		FUTURELIGHT PHW-750E			
PIC. NO.		10-0033-01-03-00			
EDIT		FILE NO.		PAGE NO.	6/28
CHECK		VERSION	NR	DATE	2008.03.05
APPROVE		ECN NO.		DATE	



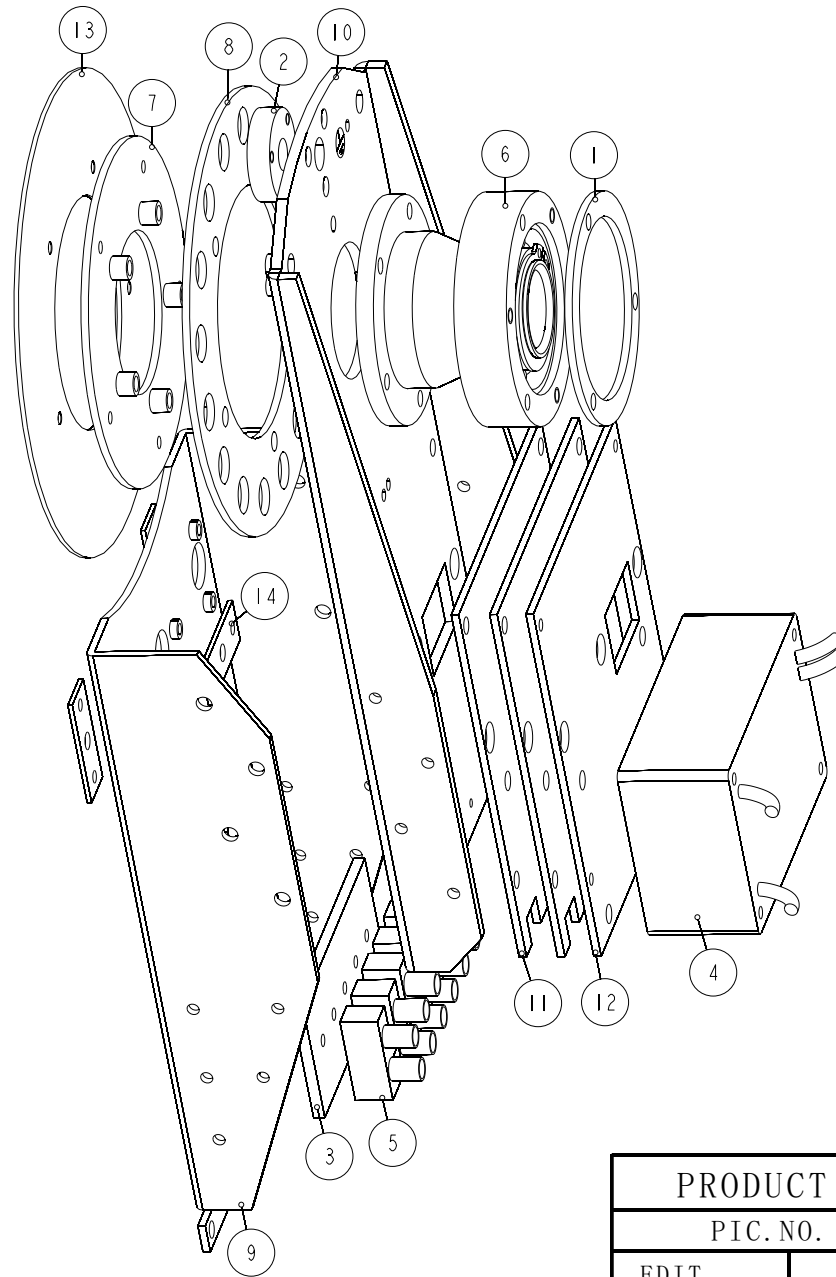
PRODUCT		FUTURELIGHT PHW-750E			
PIC. NO.		13-0044-01-04-00			
EDIT		FILE NO.		PAGE NO.	7/28
CHECK		VERSION	NR	DATE	2008.03.05
APPROVE		ECN NO.		DATE	



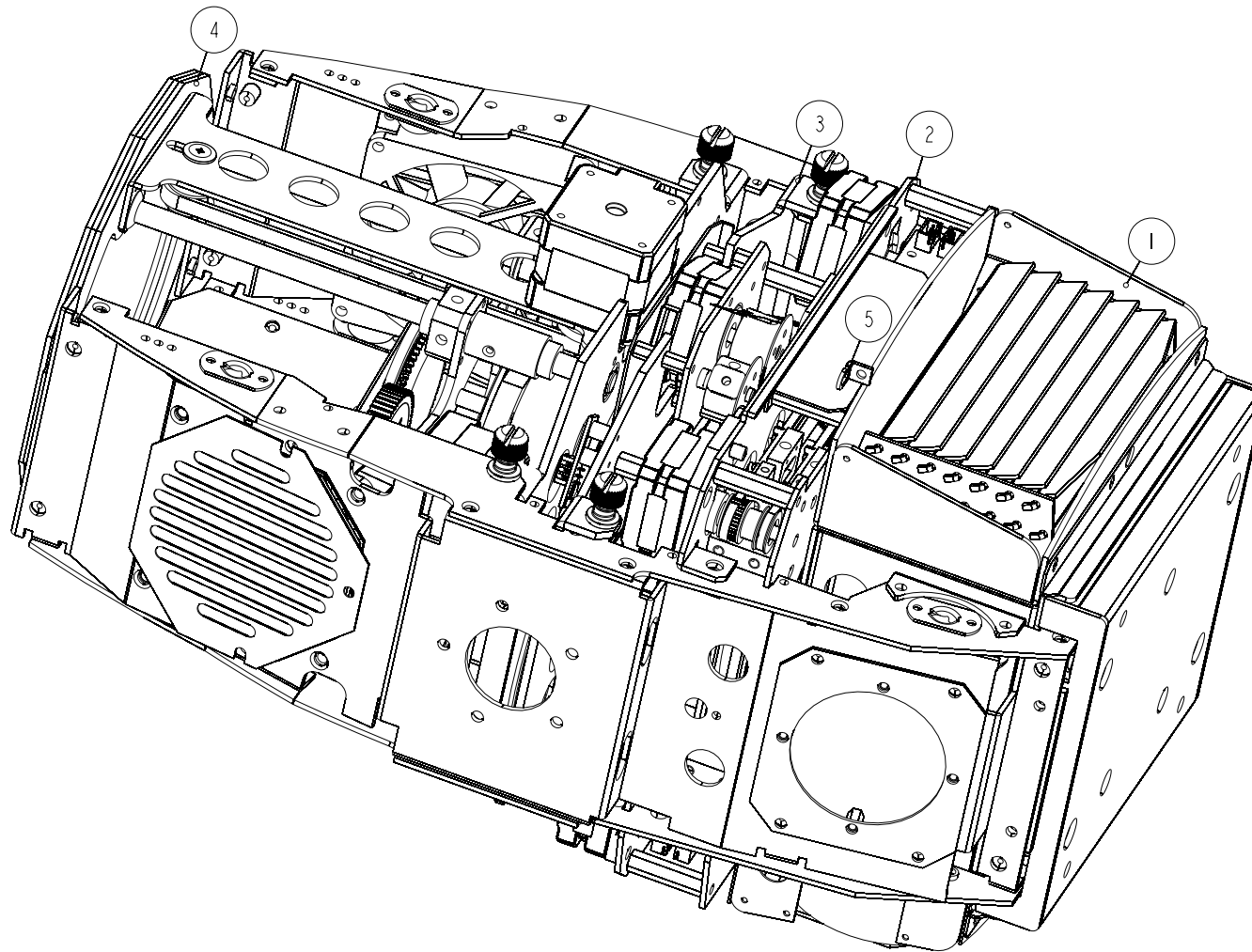
PRODUCT		FUTURELIGHT PHW-750E			
PIC. NO.		13-0044-03-00-00			
EDIT		FILE NO.		PAGE NO.	8/28
CHECK		VERSION	NR	DATE	2008.03.05
APPROVE		ECN NO.		DATE	



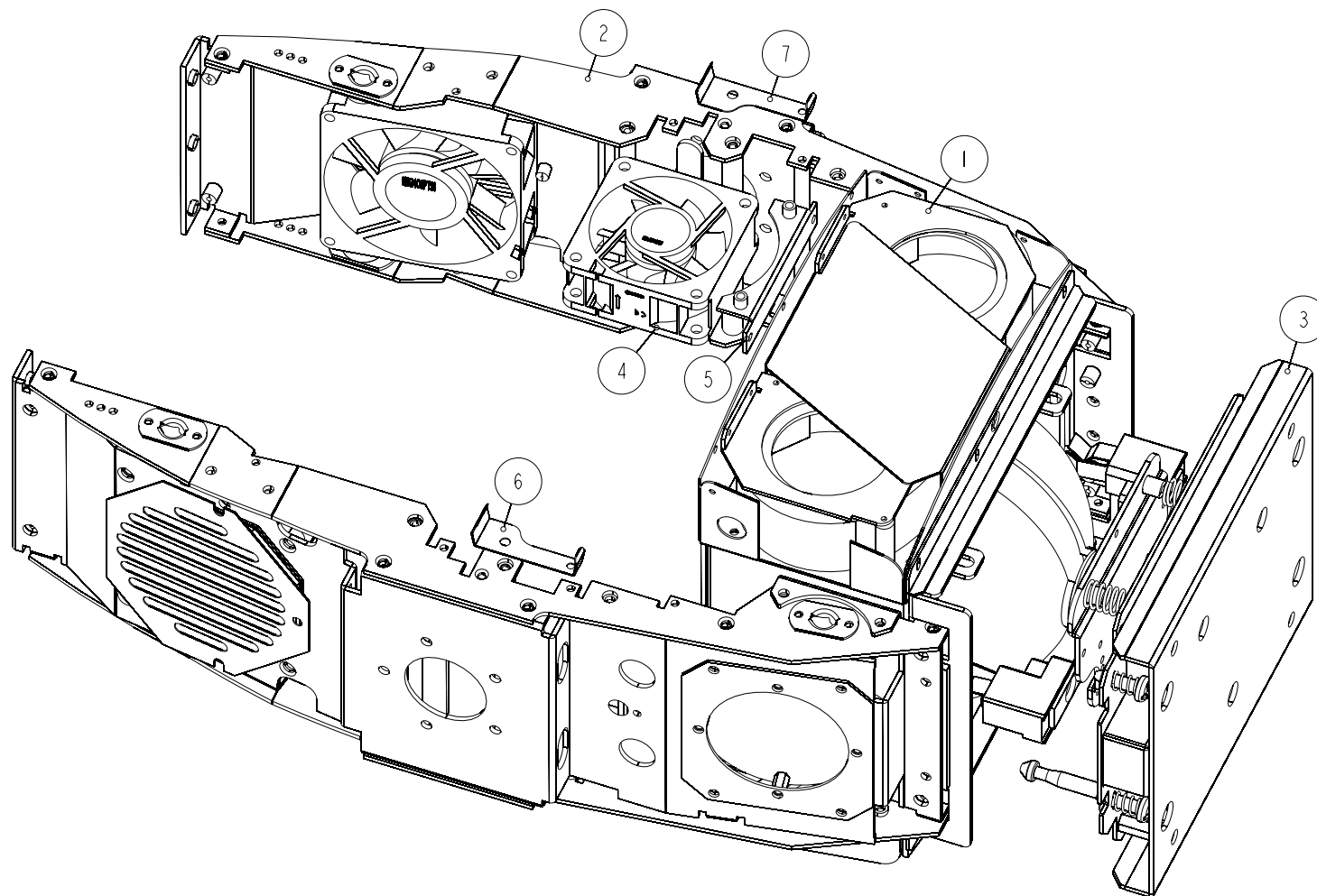
PRODUCT		FUTURELIGHT PHW-750E			
PIC. NO.		10-0033-03-01-00			
EDIT		FILE NO.		PAGE NO.	9/28
CHECK		VERSION	NR	DATE	2008.03.05
APPROVE		ECN NO.		DATE	



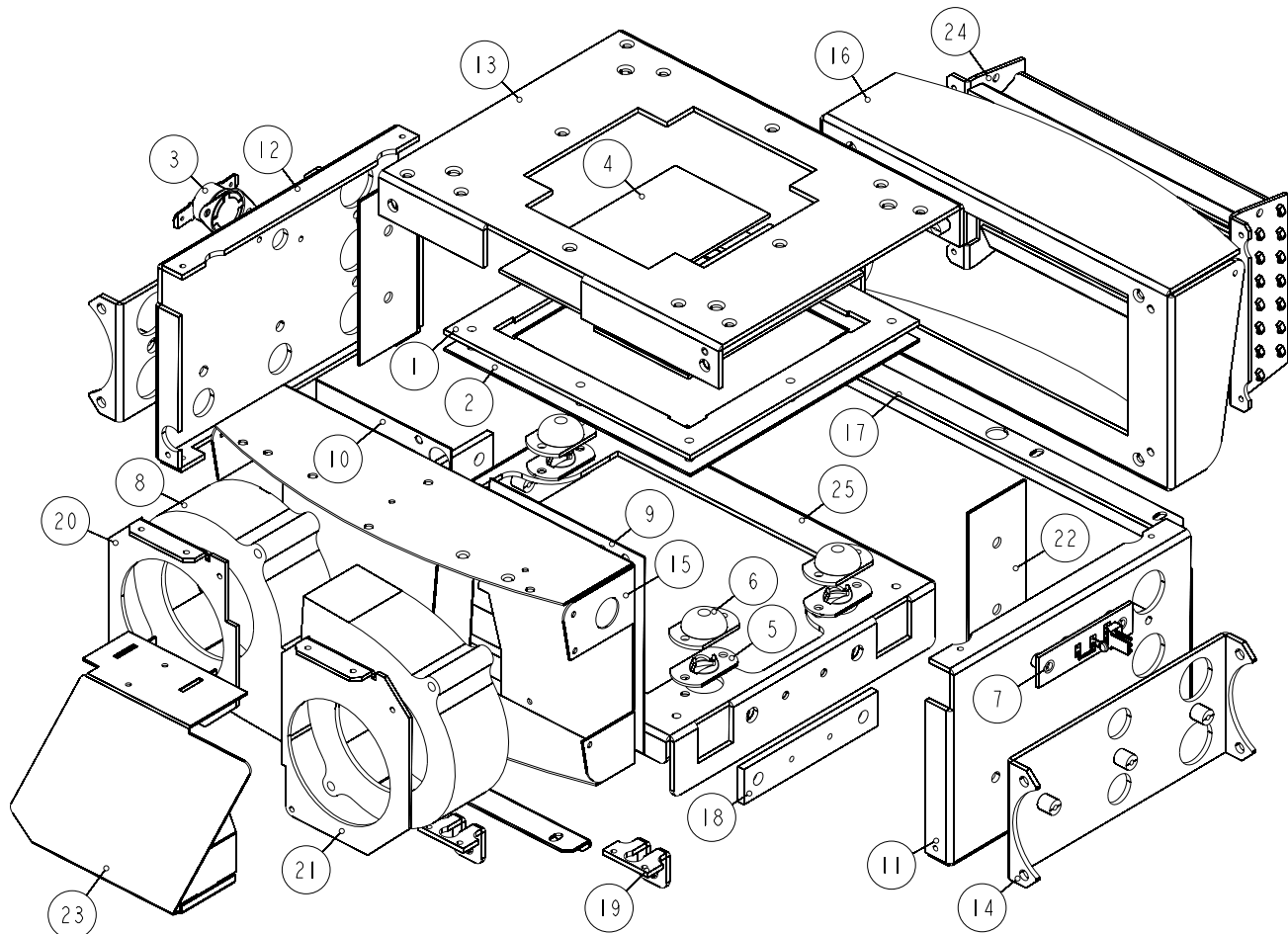
PRODUCT		FUTURELIGHT PHW-750E			
PIC. NO.		13-0044-03-02-00			
EDIT		FILE NO.		PAGE NO.	10/28
CHECK		VERSION	NR	DATE	2008.03.05
APPROVE		ECN NO.		DATE	



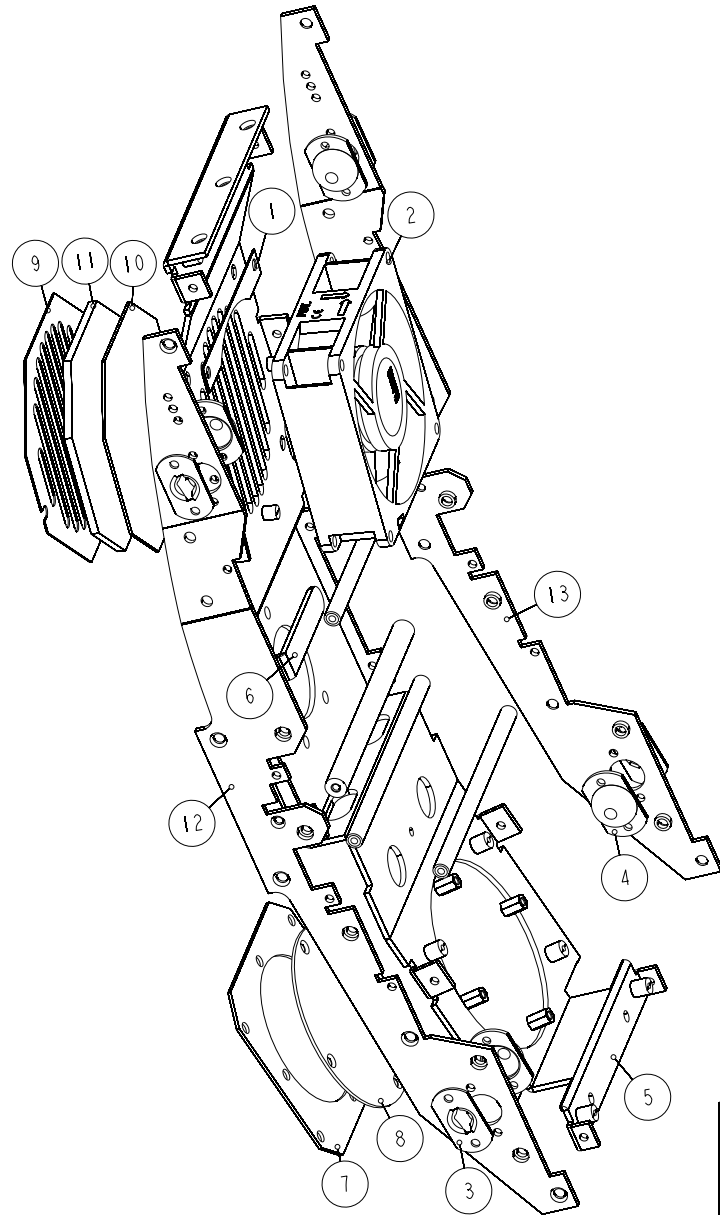
PRODUCT		FUTURELIGHT PHW-750E			
PIC. NO.		13-0046-04-00-00			
EDIT		FILE NO.		PAGE NO.	11/28
CHECK		VERSION	NR	DATE	2008.03.05
APPROVE		ECN NO.		DATE	



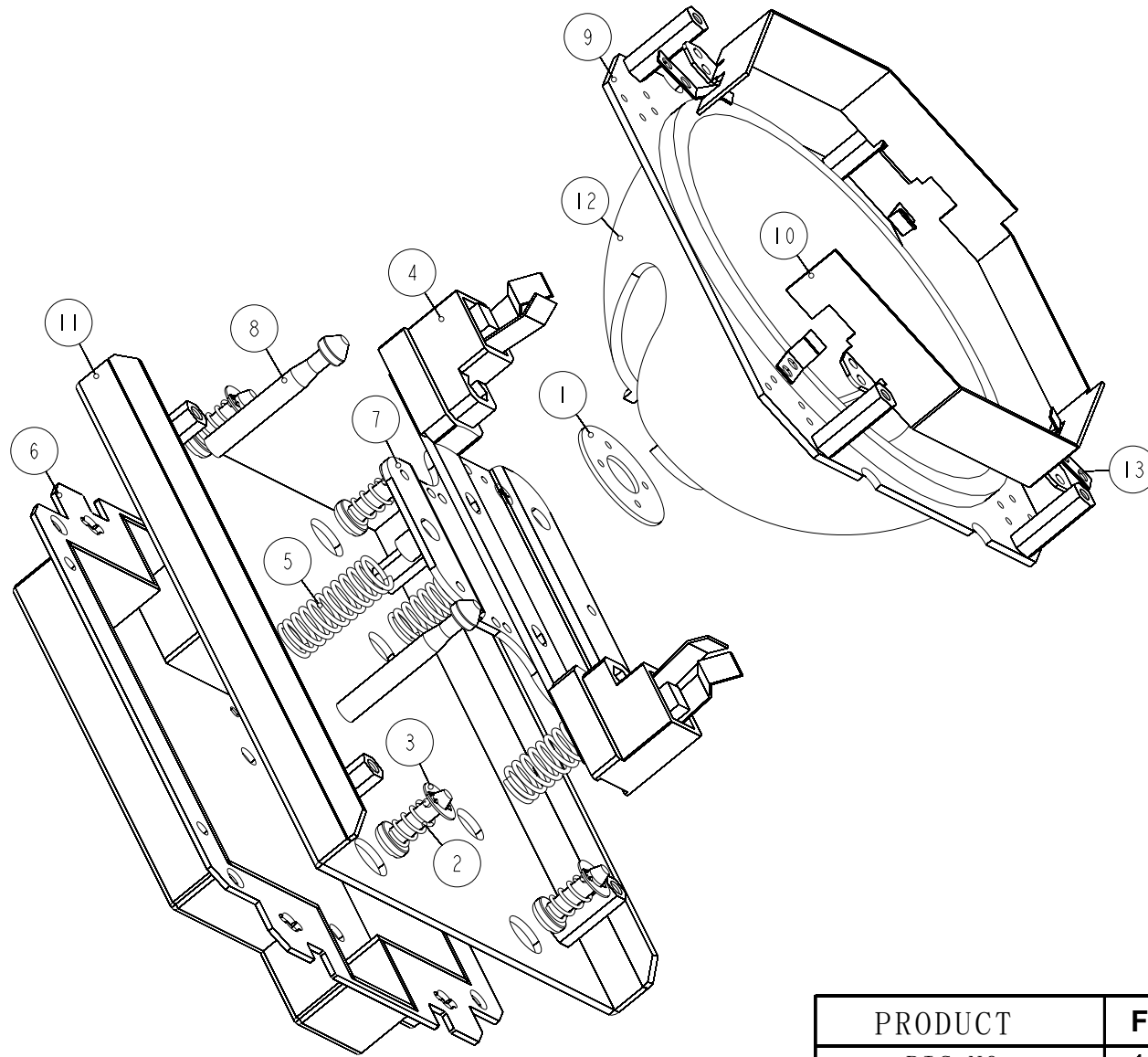
PRODUCT		FUTURELIGHT PHW-750E			
PIC. NO.		13-0046-04-01-00			
EDIT		FILE NO.		PAGE NO.	12/28
CHECK		VERSION	NR	DATE	2008.03.05
APPROVE		ECN NO.		DATE	



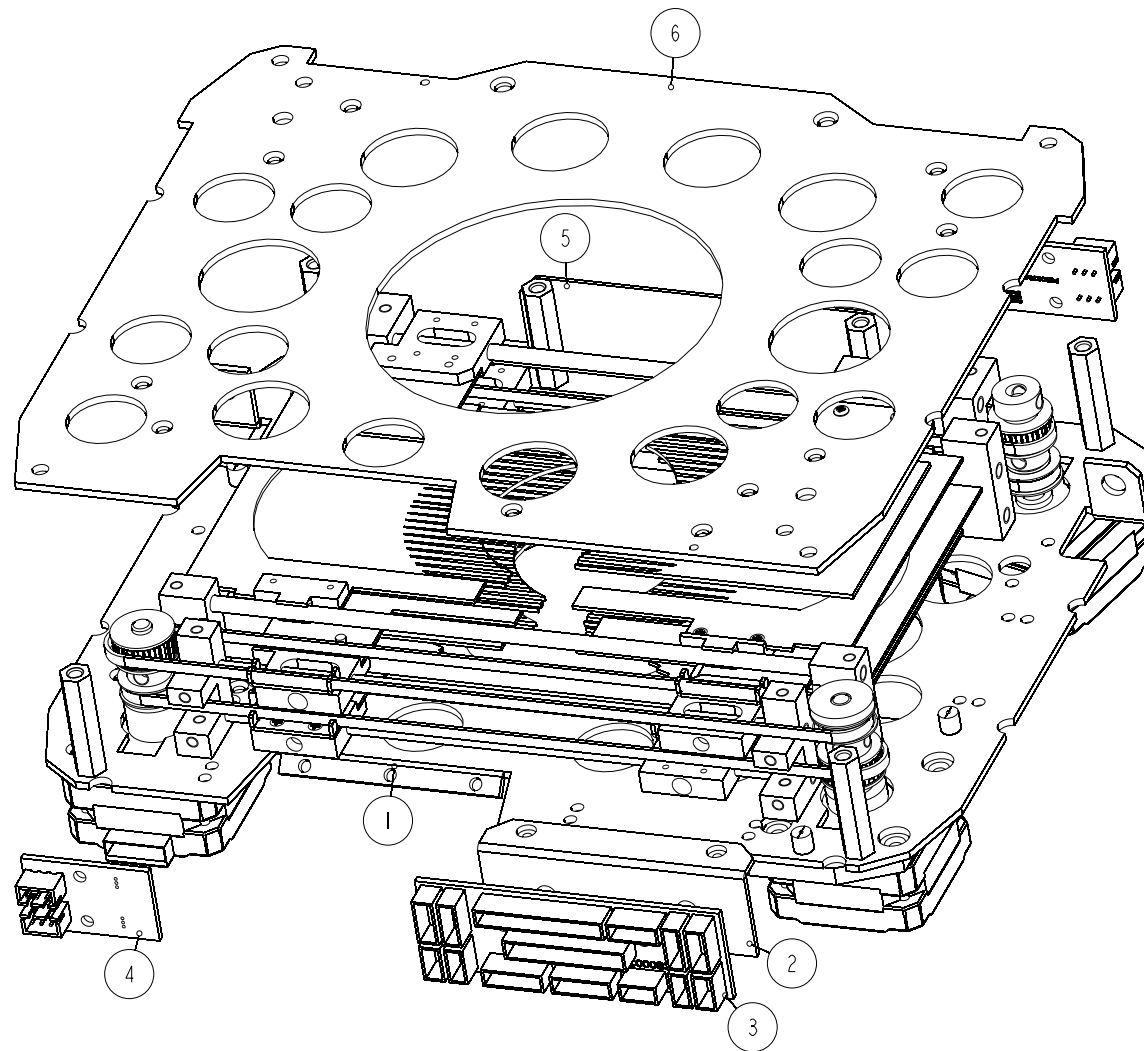
PRODUCT		FUTURELIGHT PHW-750E			
PIC. NO.		13-0046-04-01-01			
EDIT		FILE NO.		PAGE NO.	13/28
CHECK		VERSION	NR	DATE	2008.03.05
APPROVE		ECN NO.		DATE	



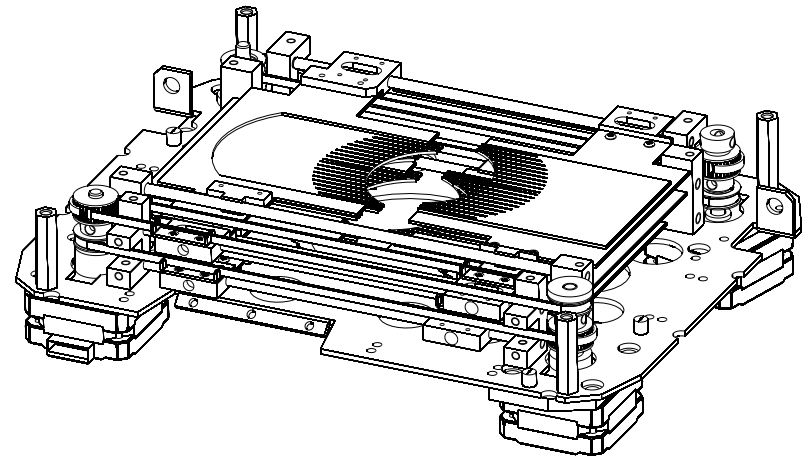
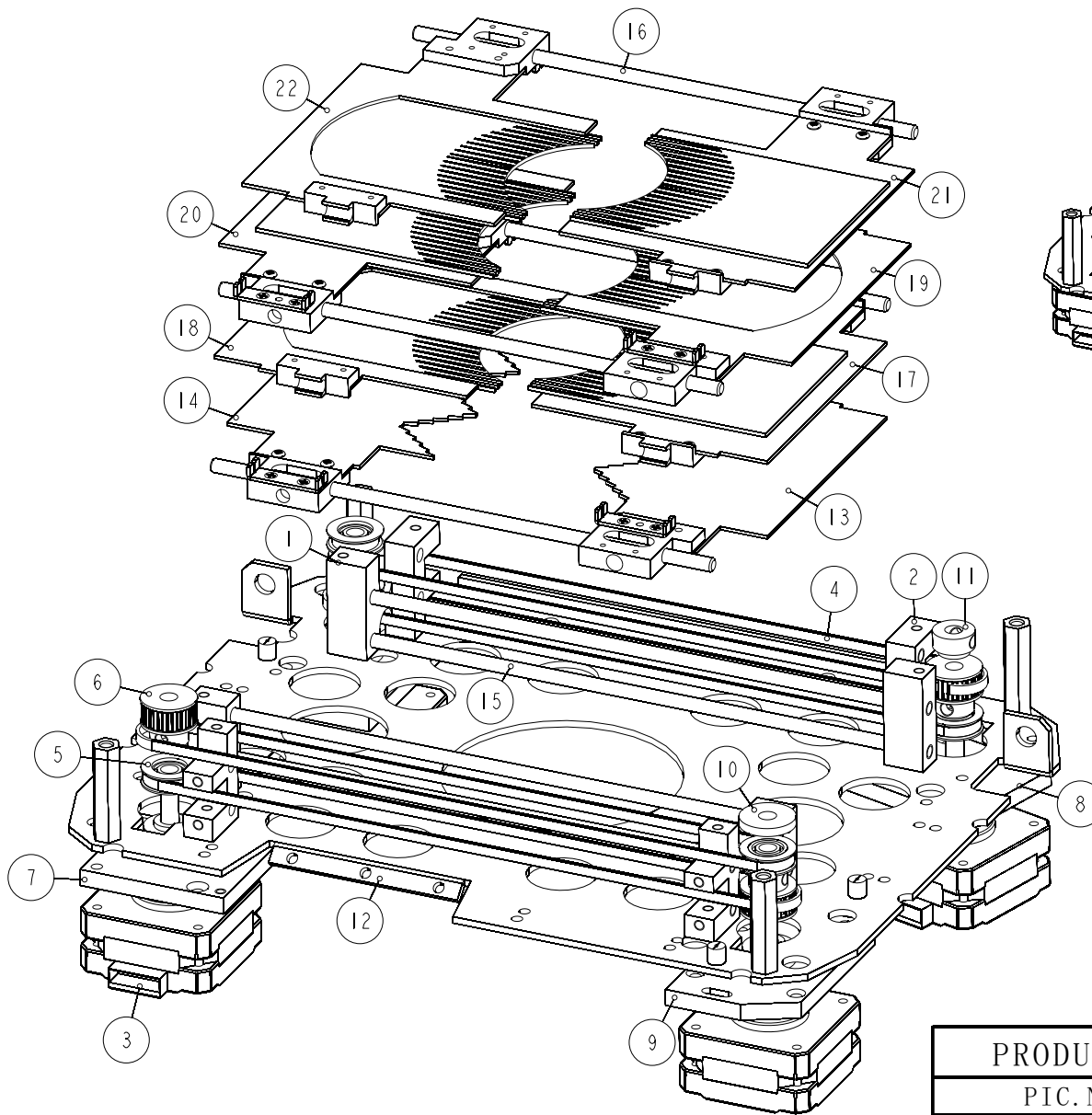
PRODUCT		FUTURELIGHT PHW-750E			
PIC. NO.		10-0051-04-01-02			
EDIT		FILE NO.		PAGE NO.	14/28
CHECK		VERSION	NR	DATE	2008.03.05
APPROVE		ECN NO.		DATE	



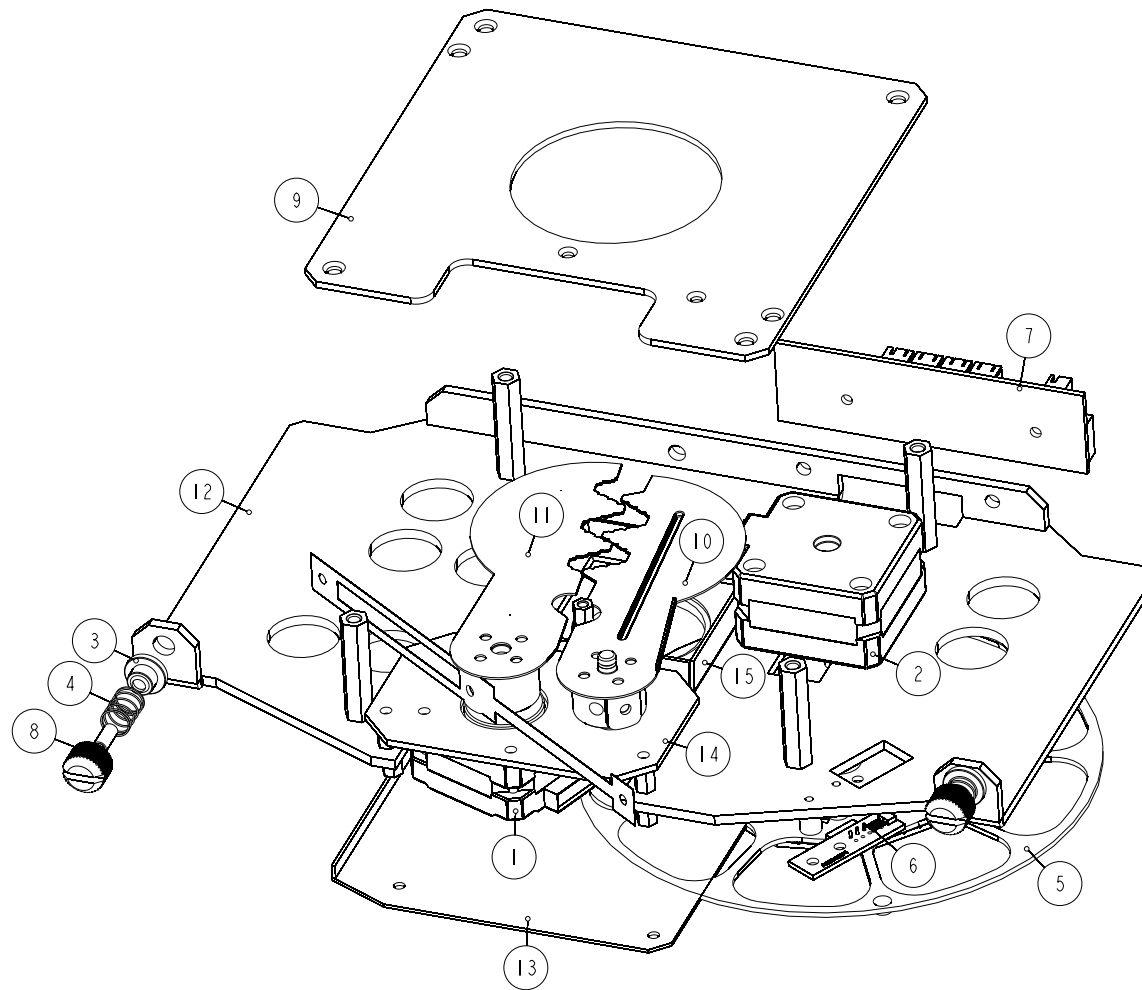
PRODUCT		FUTURELIGHT PHW-750E			
PIC. NO.		13-0046-04-01-03			
EDIT		FILE NO.		PAGE NO.	15/28
CHECK		VERSION	NR	DATE	2008.03.05
APPROVE		ECN NO.		DATE	



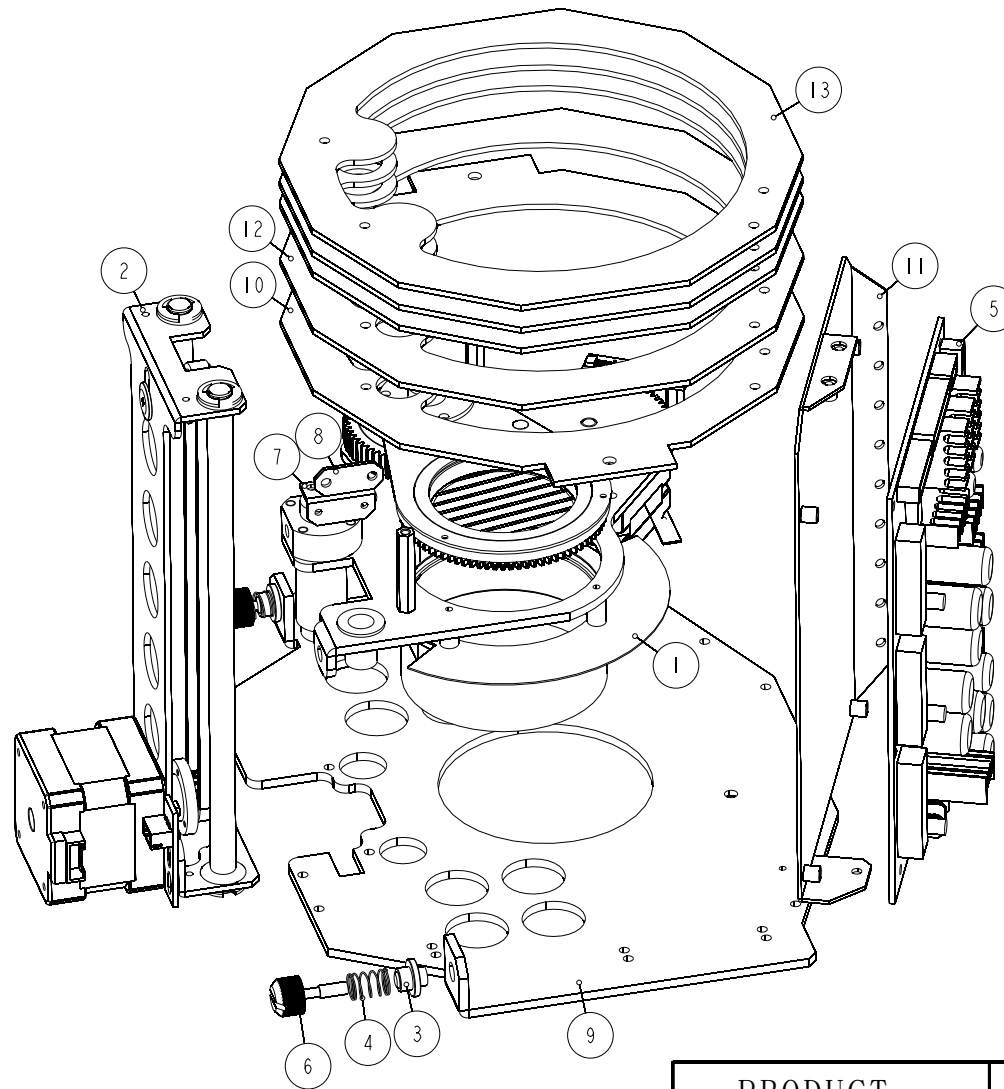
PRODUCT		FUTURELIGHT PHW-750E			
PIC. NO.		10-0051-04-02-00			
EDIT		FILE NO.		PAGE NO.	16/28
CHECK		VERSION	NR	DATE	2008.03.05
APPROVE		ECN NO.		DATE	



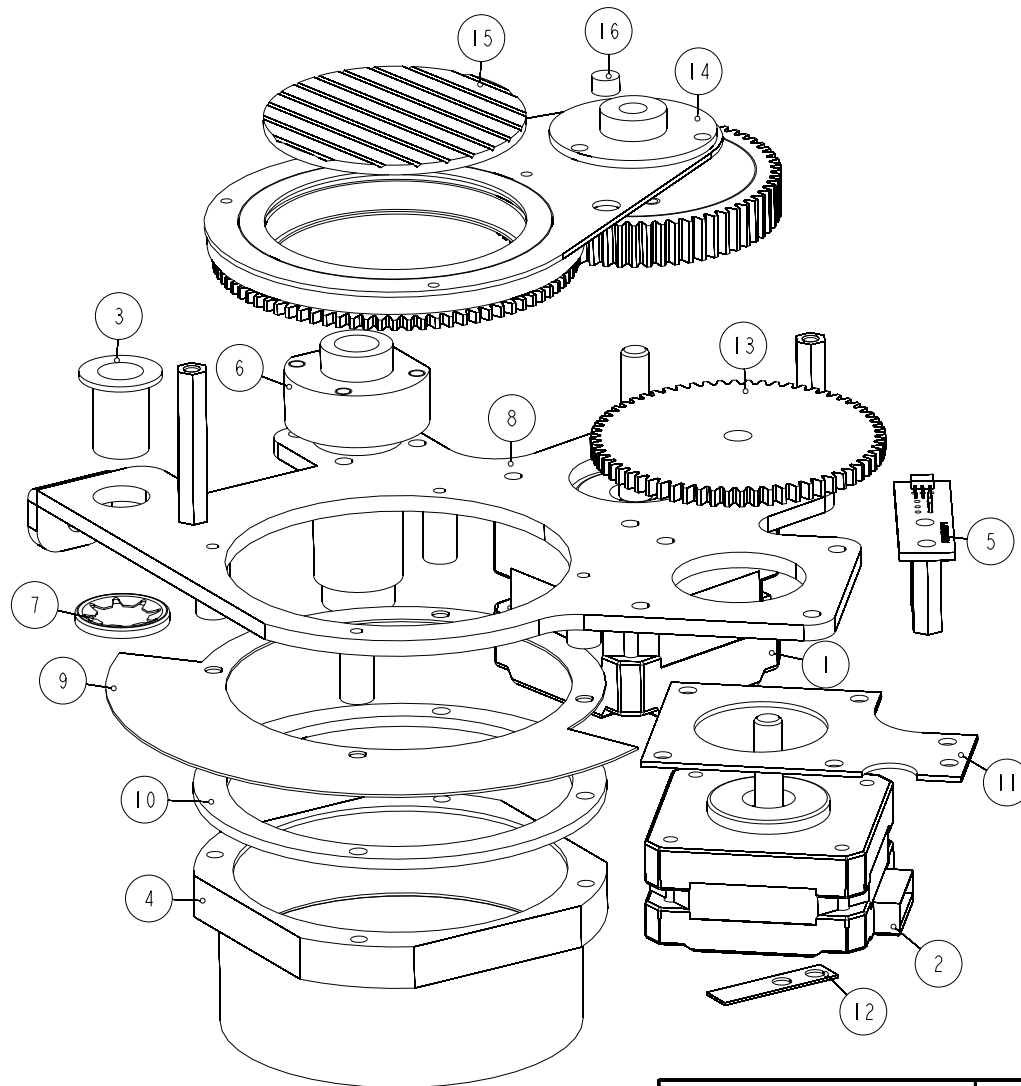
PRODUCT		FUTURELIGHT PHW-750E			
PIC. NO.		10-0051-04-02-01			
EDIT		FILE NO.		PAGE NO.	17/28
CHECK		VERSION	NR	DATE	2008.03.05
APPROVE		ECN NO.		DATE	



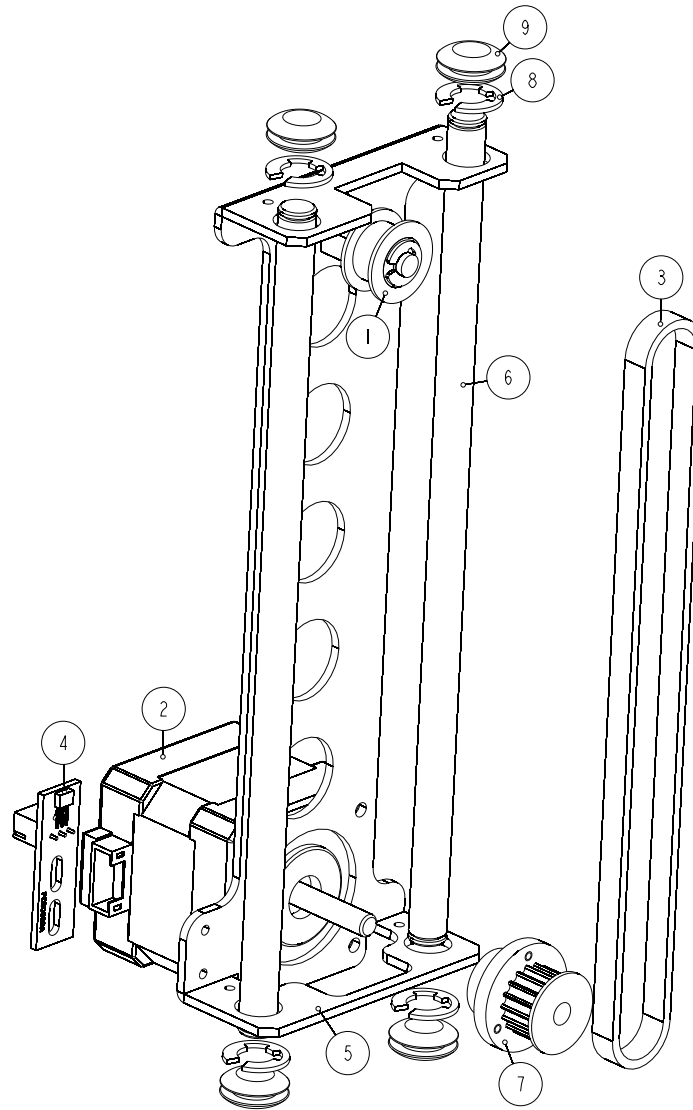
PRODUCT		FUTURELIGHT PHW-750E			
PIC. NO.		10-0051-04-03-00			
EDIT		FILE NO.		PAGE NO.	18/28
CHECK		VERSION	NR	DATE	2008.03.05
APPROVE		ECN NO.		DATE	



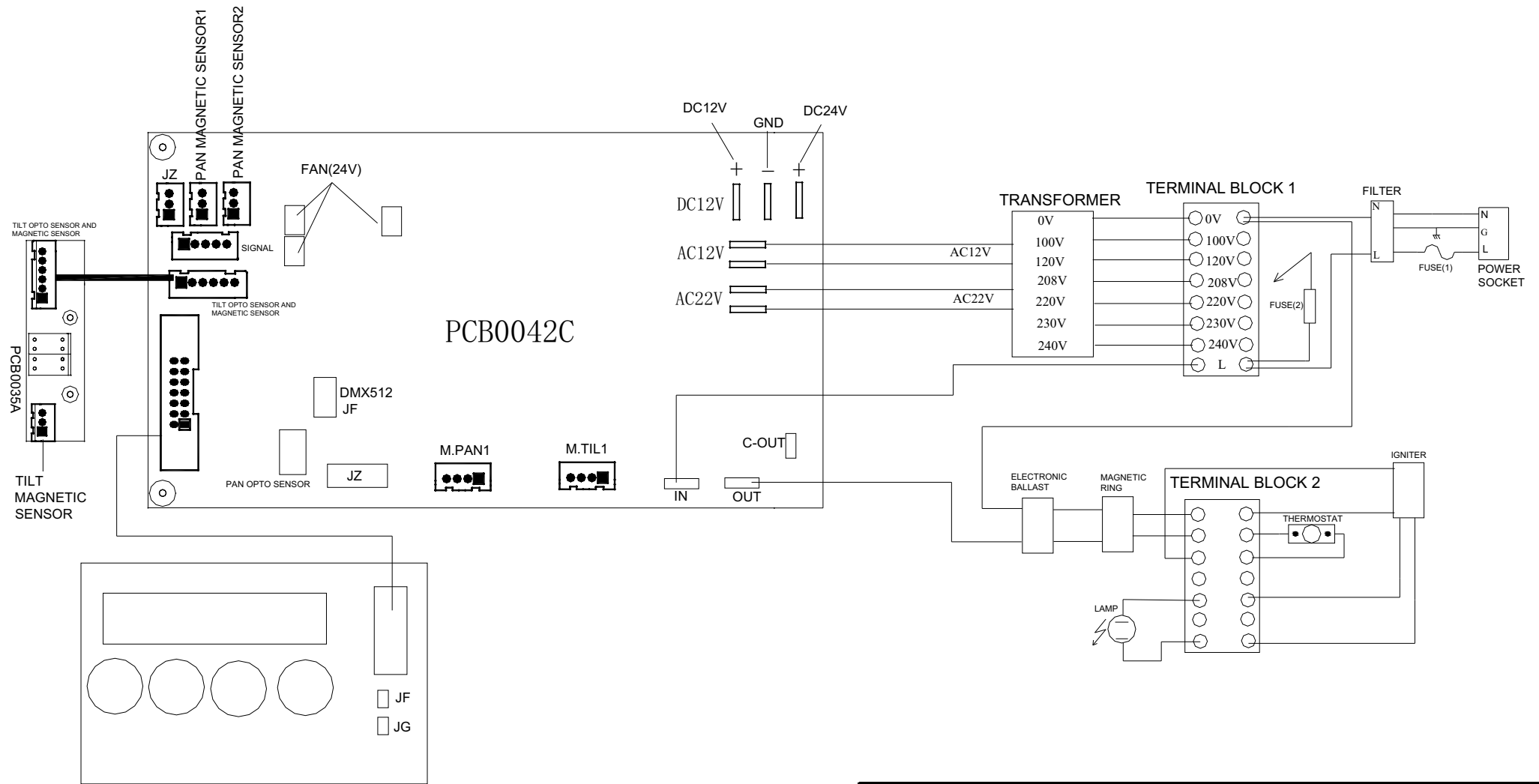
PRODUCT		FUTURELIGHT PHW-750E			
PIC. NO.		13-0046-04-04-00			
EDIT		FILE NO.		PAGE NO.	19/28
CHECK		VERSION	NR	DATE	2008.03.05
APPROVE		ECN NO.		DATE	



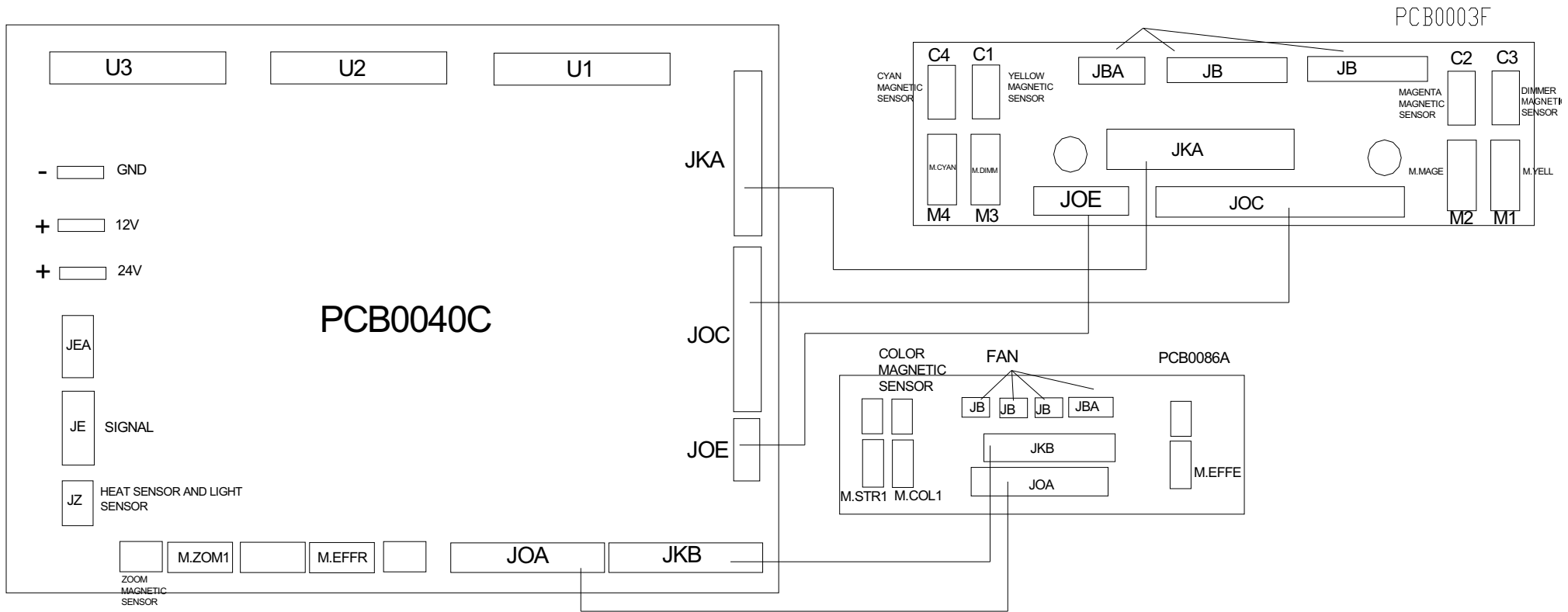
PRODUCT		FUTURELIGHT PHW-750E			
PIC. NO.		V575WE-03-5-05_B00			
EDIT		FILE NO.		PAGE NO.	20/28
CHECK		VERSION	NR	DATE	2008.03.05
APPROVE		ECN NO.		DATE	



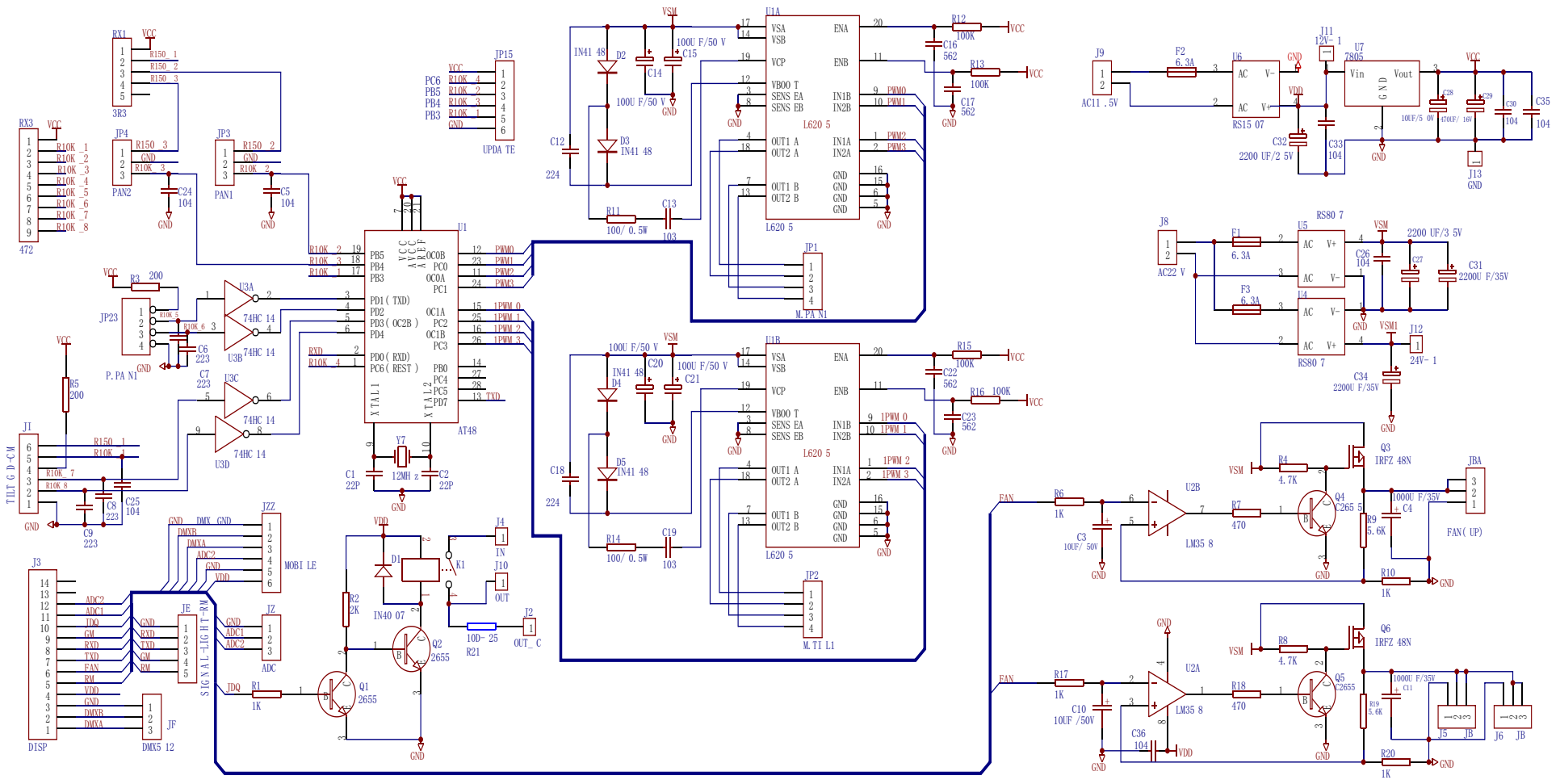
PRODUCT		FUTURELIGHT PHW-750E			
PIC. NO.		V575WE-03-5-11_A00			
EDIT		FILE NO.		PAGE NO.	21/28
CHECK		VERSION	NR	DATE	2008.03.05
APPROVE		ECN NO.		DATE	



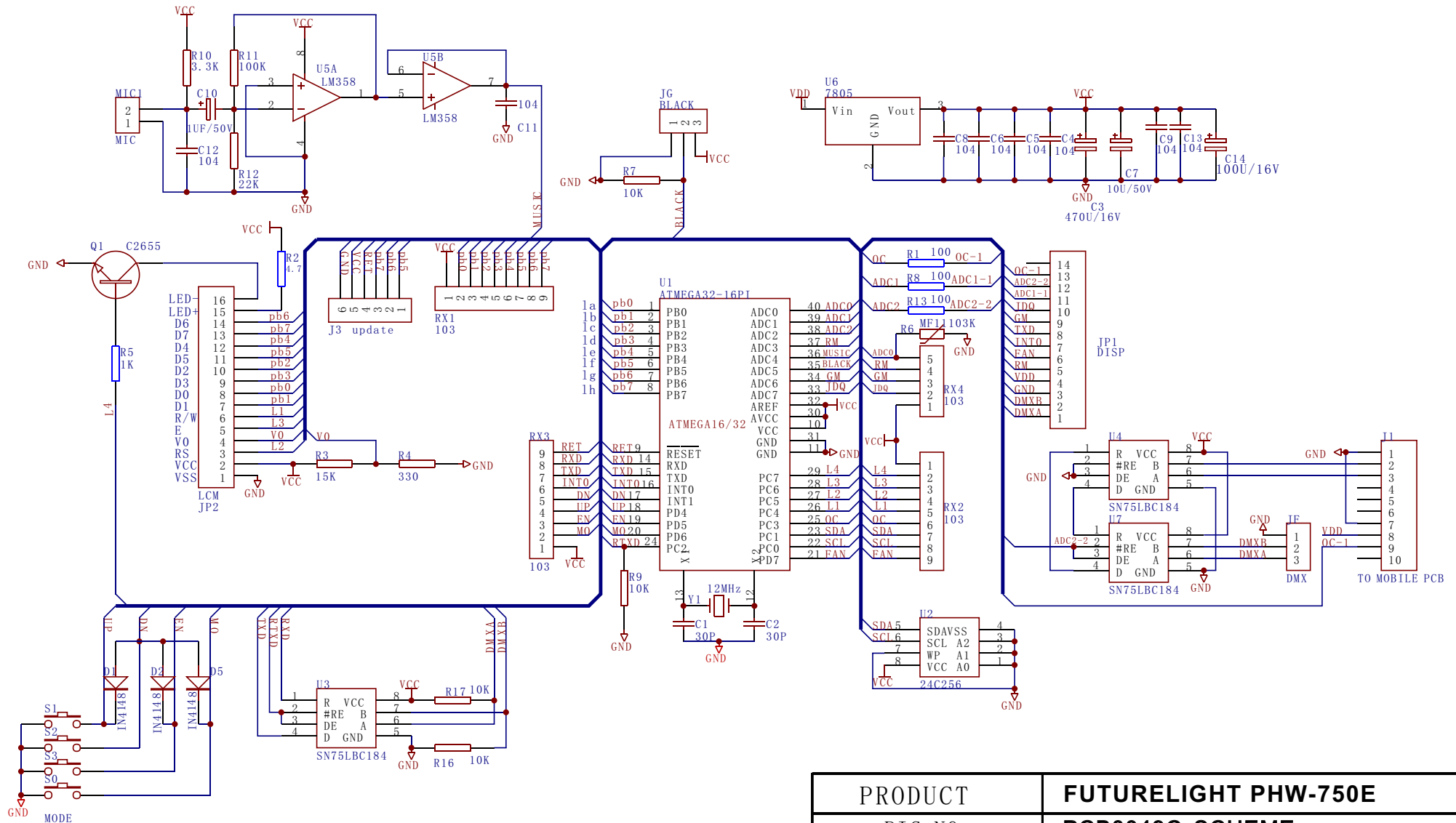
PRODUCT		FUTURELIGHT PHW-750E			
PIC. NO.		V700W-E ELECTRIC			
EDIT		FILE NO.		PAGE NO.	22/28
CHECK		VERSION	NR	DATE	2008. 03. 05
APPROVE		ECN NO.		DATE	



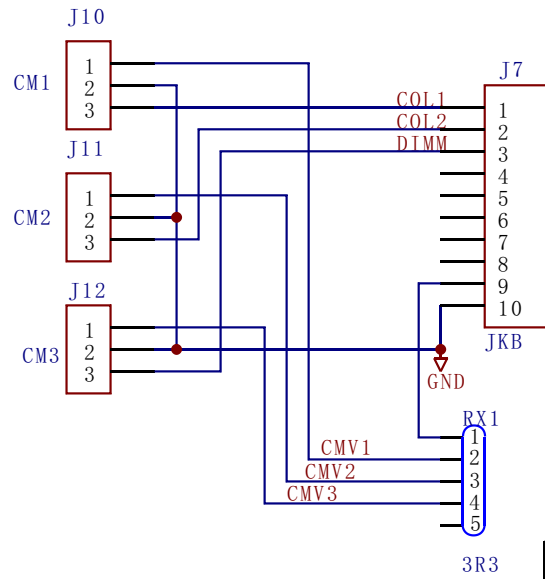
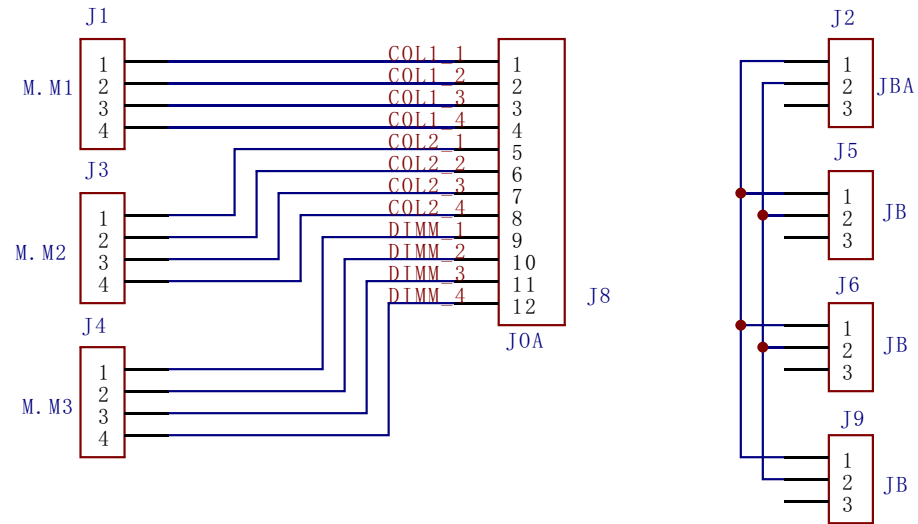
PRODUCT		FUTURELIGHT PHW-750E			
PIC. NO.		V700W-E SCHEME			
EDIT		FILE NO.		PAGE NO.	23/28
CHECK		VERSION	NR	DATE	2008.03.05
APPROVE		ECN NO.		DATE	



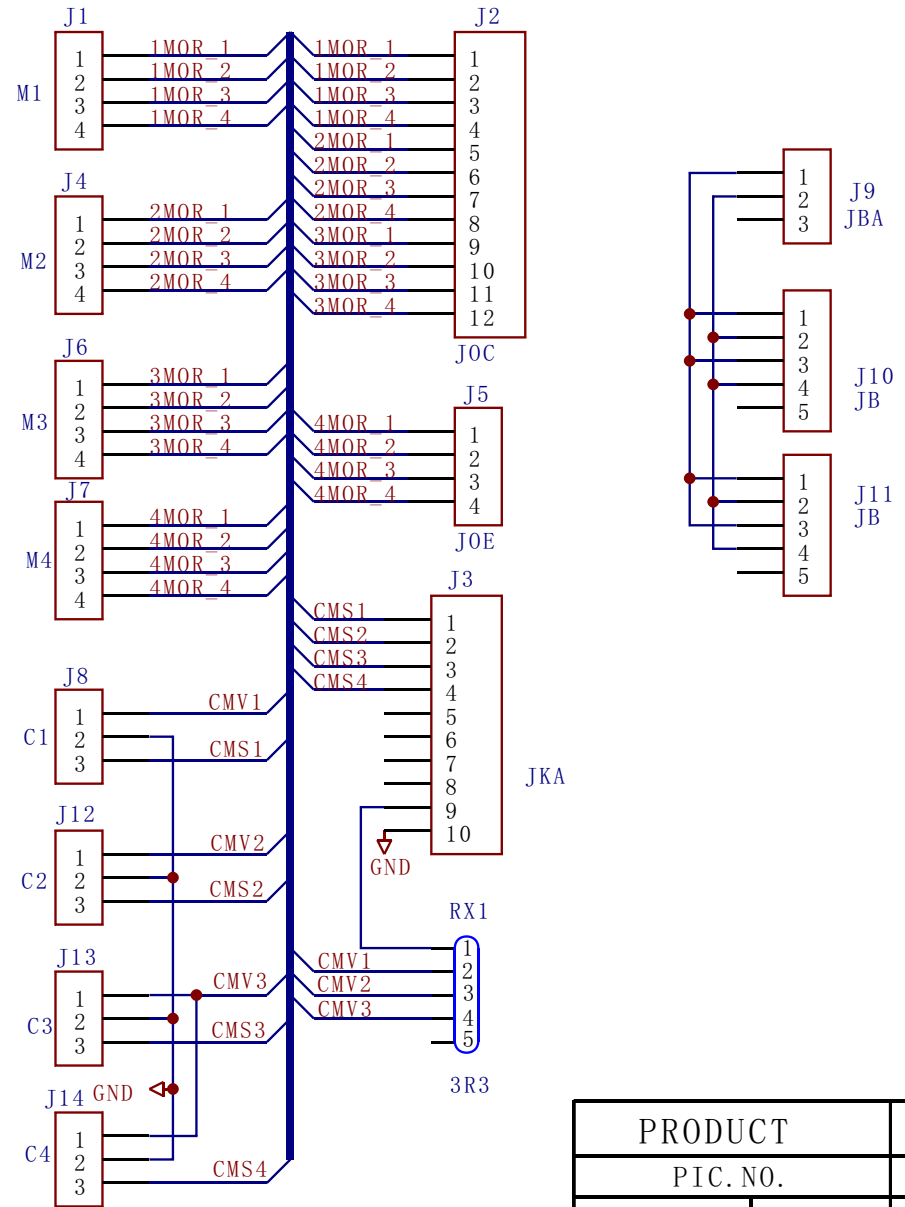
PRODUCT		FUTURELIGHT PHW-750E		
PIC. NO.		PCB0042C SCHEME		
EDIT		FILE NO.		PAGE NO. 24/28
CHECK		VERSION	NR	DATE 2008.03.05
APPROVE		ECN NO.		DATE



PRODUCT		FUTURELIGHT PHW-750E		
PIC. NO.		PCB0049C SCHEME		
EDIT		FILE NO.		PAGE NO. 25/28
CHECK		VERSION	NR	DATE 2008.03.05
APPROVE		ECN NO.		DATE



PRODUCT		FUTURELIGHT PHW-750E			
PIC. NO.		PCB0086A SCHEME			
EDIT		FILE NO.		PAGE NO.	27/28
CHECK		VERSION	NR	DATE	2008.03.05
APPROVE		ECN NO.		DATE	



PRODUCT		FUTURELIGHT PHW-750E			
PIC. NO.		PCB0003F SCHEME			
EDIT		FILE NO.		PAGE NO.	28/28
CHECK		VERSION	NR	DATE	2008.03.05
APPROVE		ECN NO.		DATE	