

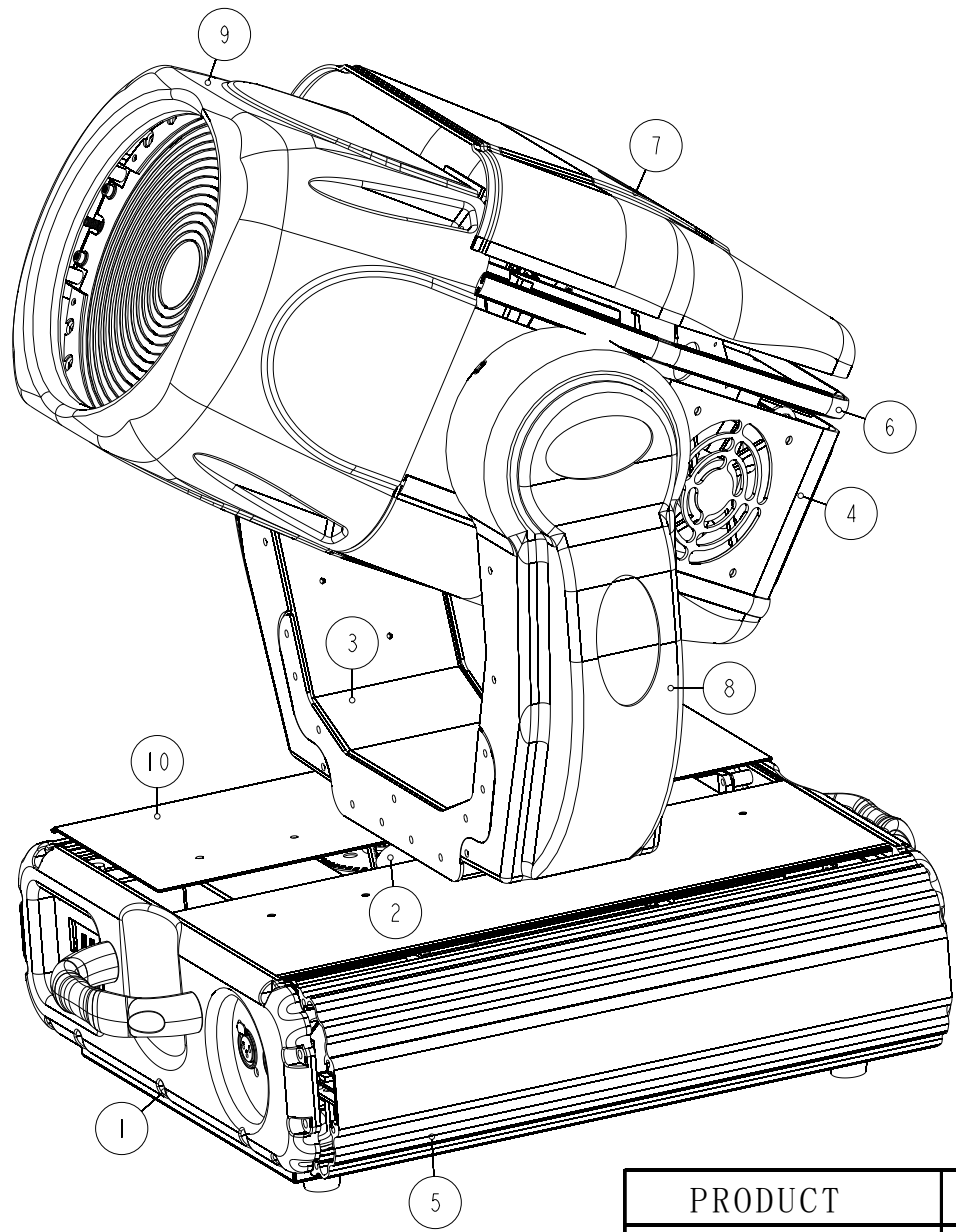
Service manual

PHW-710

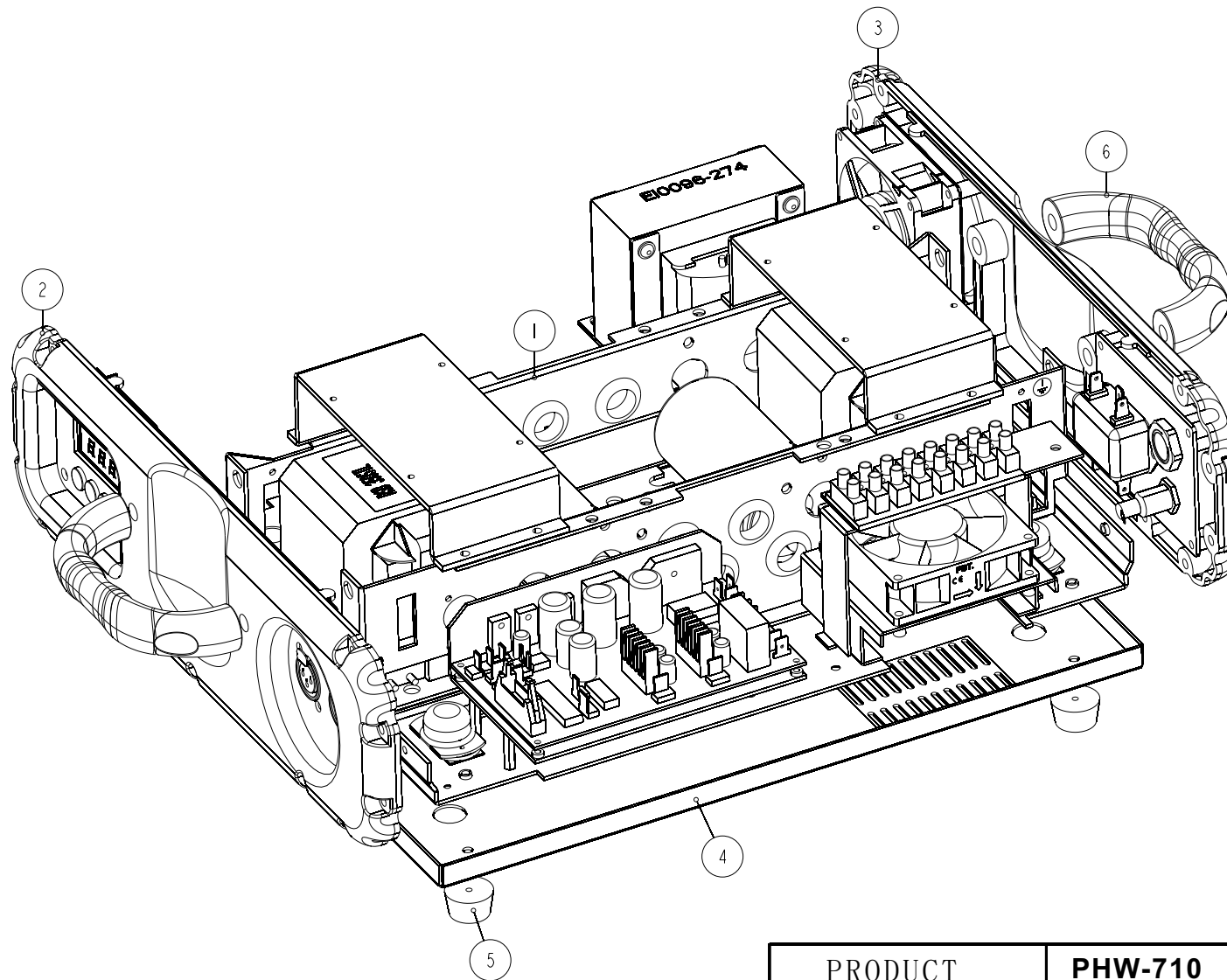
- ※ **Exploded Diagrams**
- ※ **Circuit Diagrams**
- ※ **Wiring Diagrams**
- ※ **Parts List**



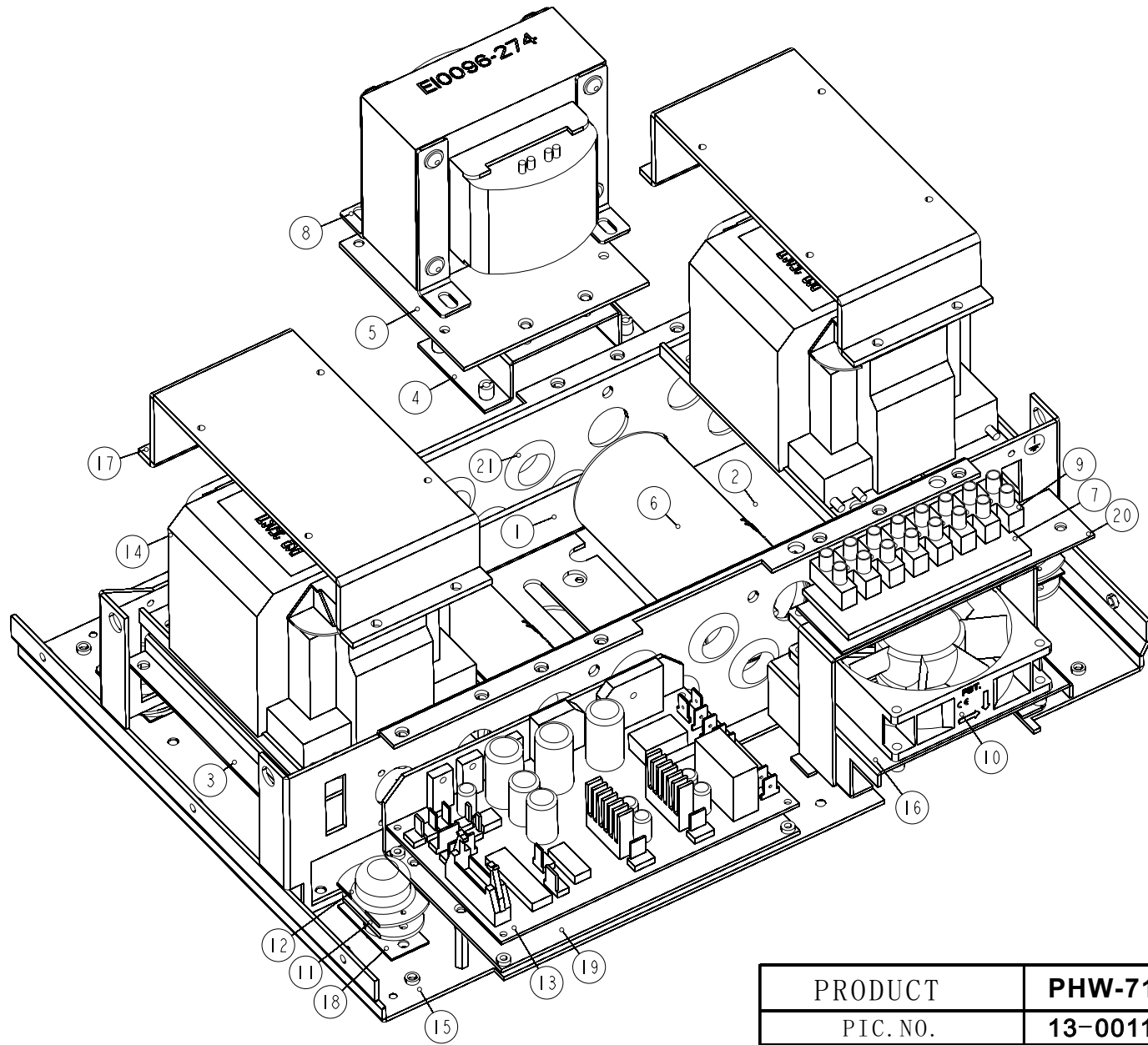
PRODUCT		PHW-710			
PIC. NO.		Front Page			
EDIT		FILE NO.	GS-EXP-056A		
CHECK		VERSION	NR	DATE	2007. 12. 18
APPROVE		ECN NO.		DATE	



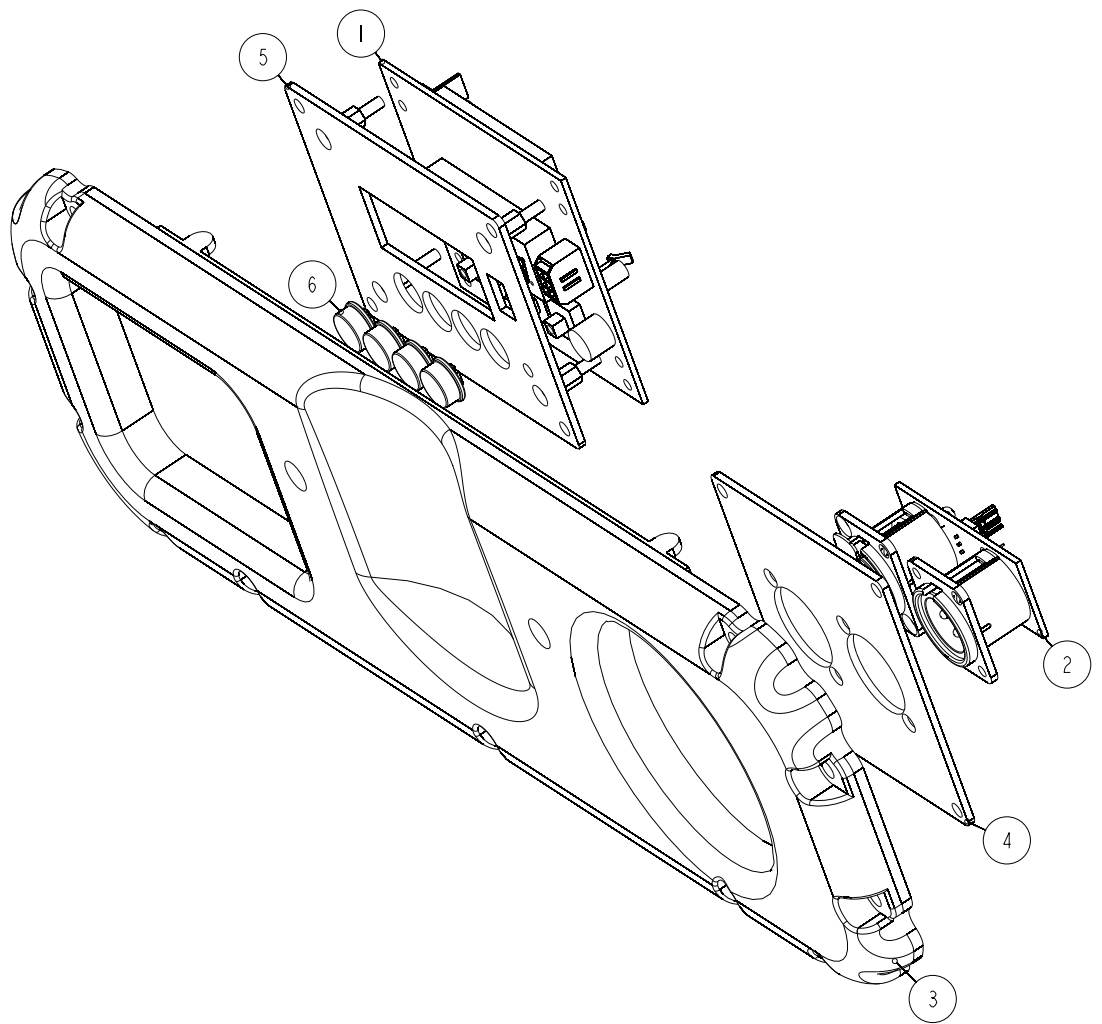
PRODUCT		PHW-710			
PIC. NO.		13-0012-00-00-00			
EDIT		FILE NO.	GS-EXP-056A	PAGE NO.	1/25
CHECK		VERSION	NR	DATE	2007. 12. 18
APPROVE		ECN NO.		DATE	



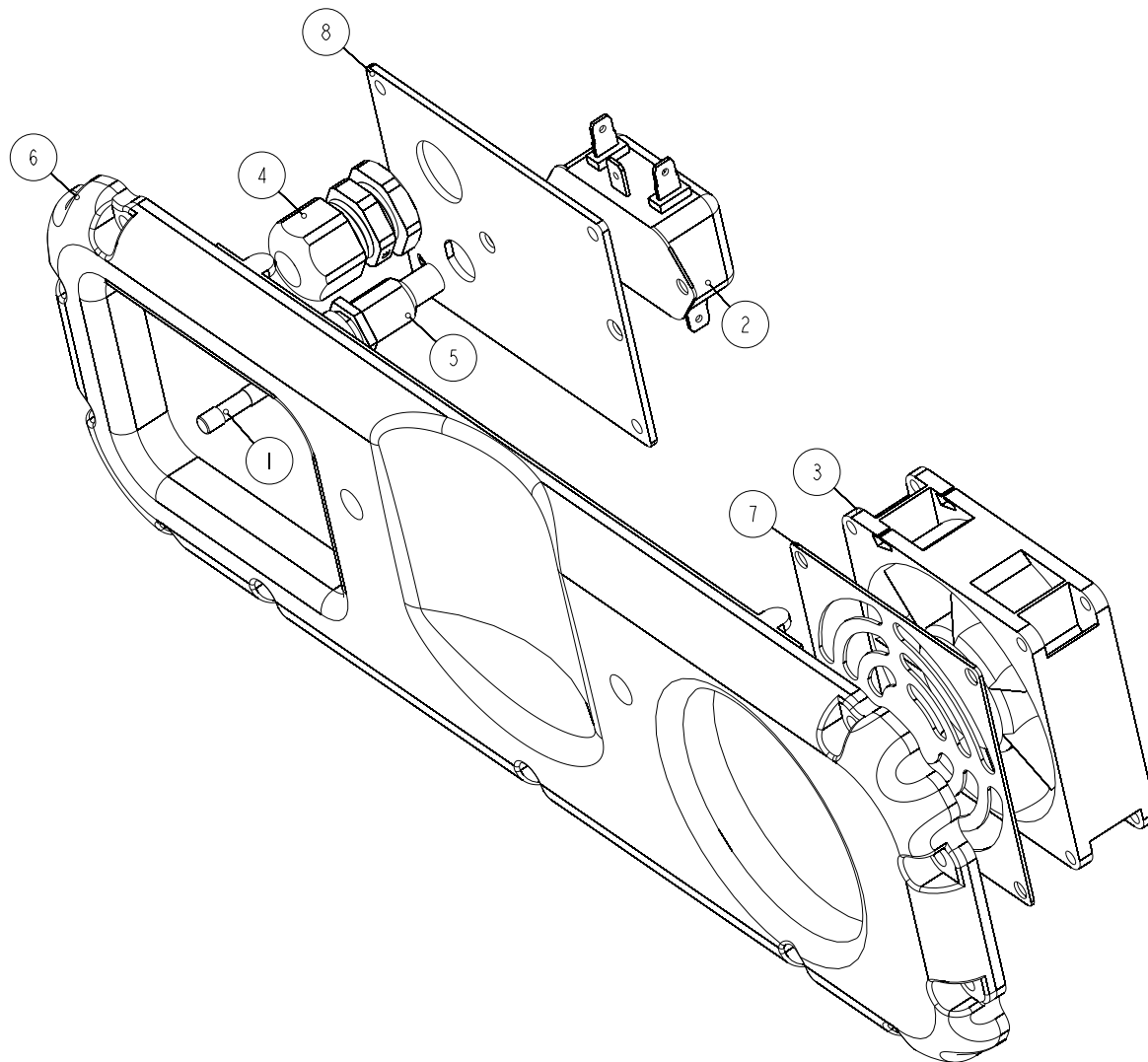
PRODUCT		PHW-710			
PIC. NO.		13-0011-01-00-00			
EDIT		FILE NO.	GS-EXP-056A	PAGE NO.	2/25
CHECK		VERSION	NR	DATE	2007. 12. 18
APPROVE		ECN NO.		DATE	



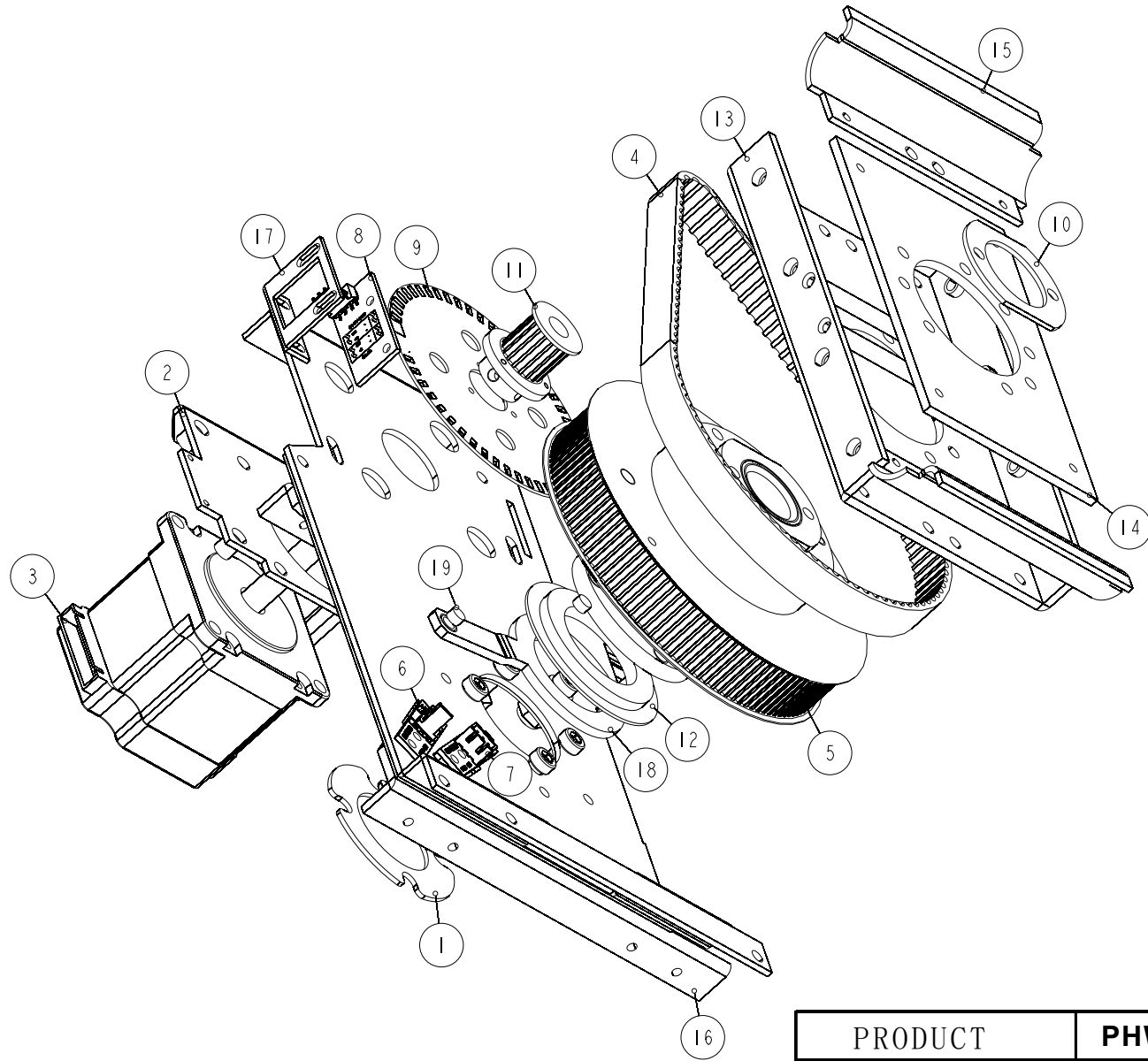
PRODUCT		PHW-710			
PIC. NO.		13-0011-01-01-00			
EDIT		FILE NO.	GS-EXP-056A	PAGE NO.	3/25
CHECK		VERSION	NR	DATE	2007. 12. 18
APPROVE		ECN NO.		DATE	



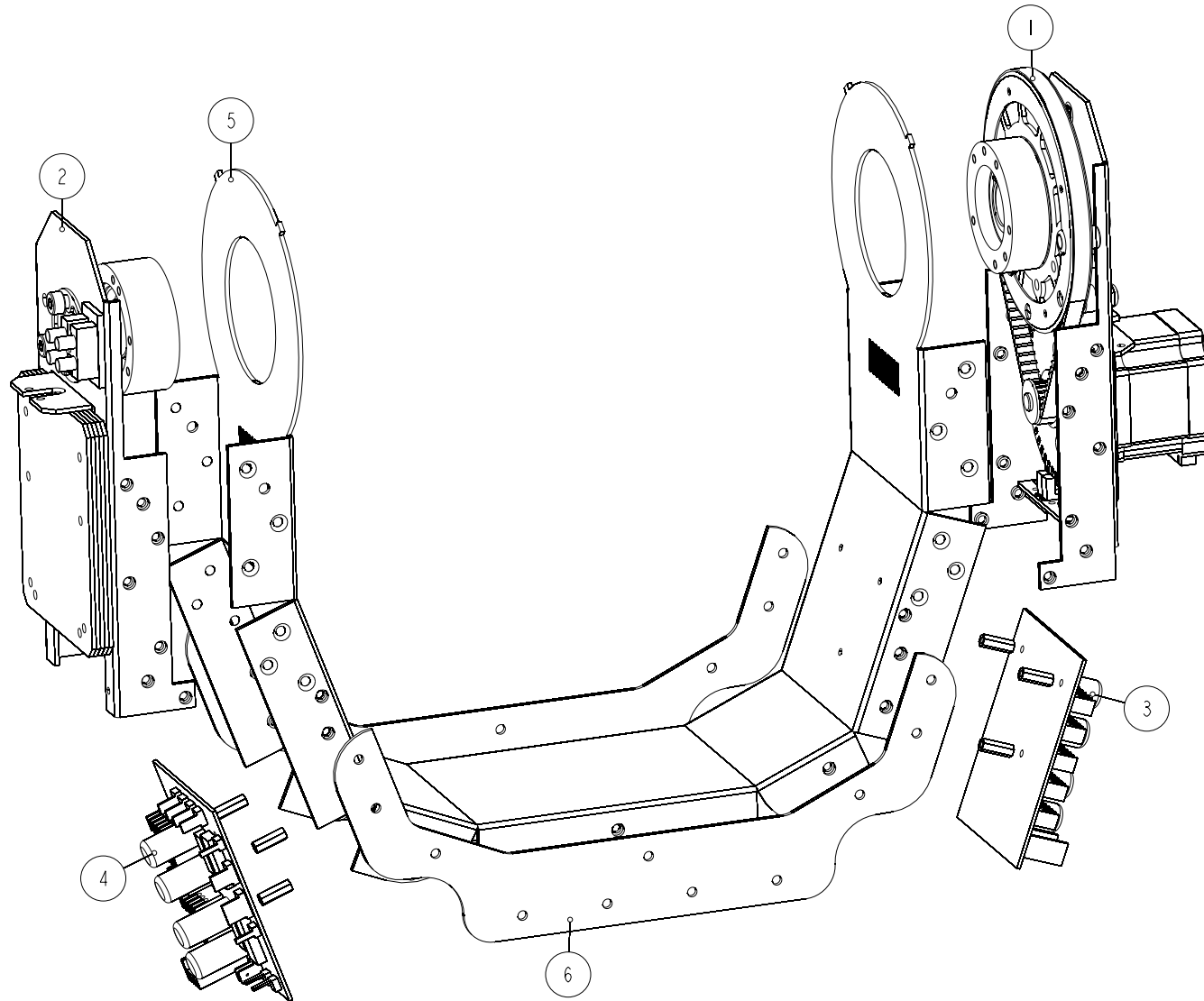
PRODUCT		PHW-710			
PIC. NO.		13-0011-01-02-00			
EDIT		FILE NO.	GS-EXP-056A	PAGE NO.	4/25
CHECK		VERSION	NR	DATE	2007.12.18
APPROVE		ECN NO.		DATE	



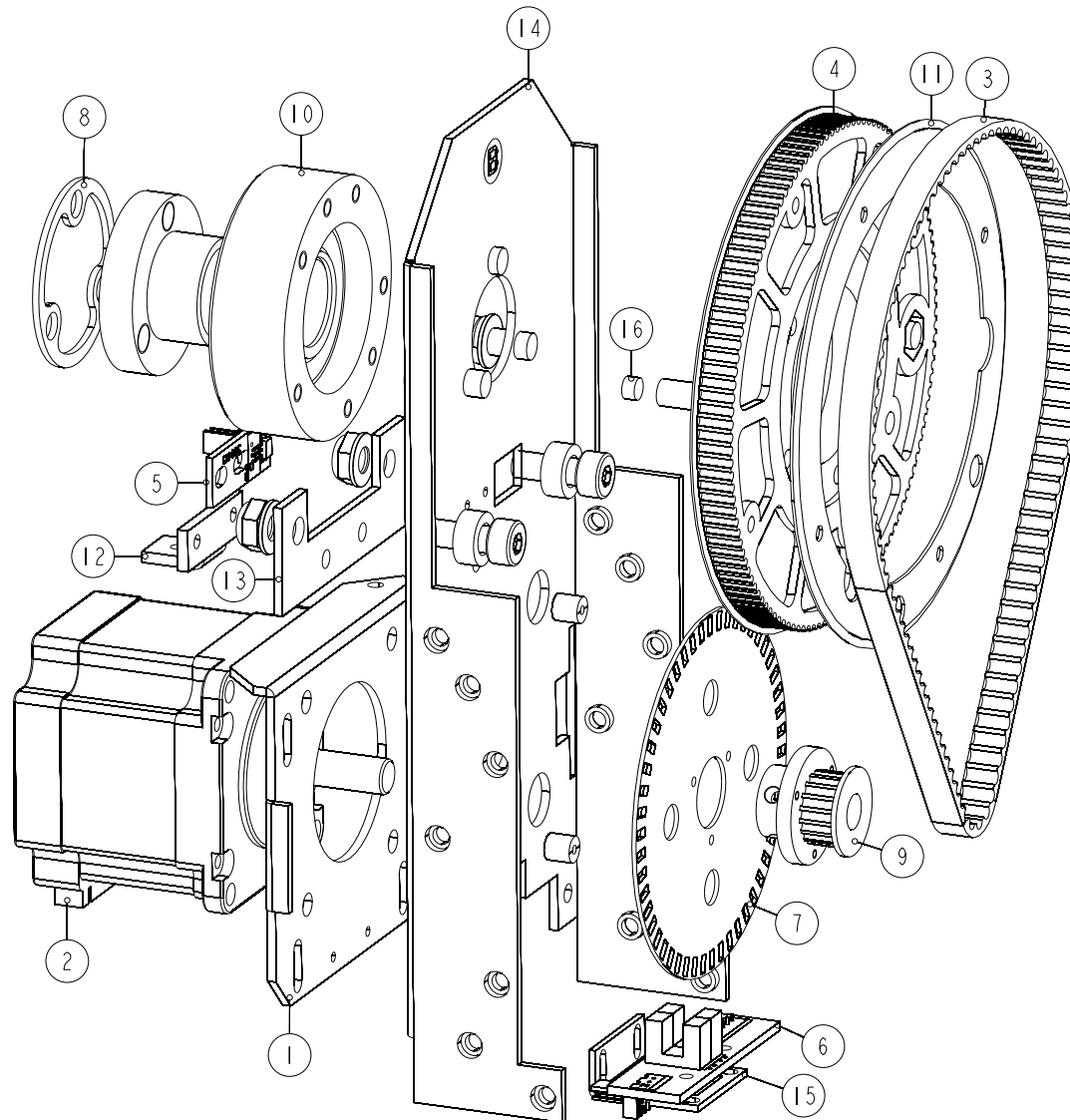
PRODUCT		PHW-710			
PIC. NO.		13-0011-01-03-00			
EDIT		FILE NO.	GS-EXP-056A	PAGE NO.	5/25
CHECK		VERSION	NR	DATE	2007.12.18
APPROVE		ECN NO.		DATE	



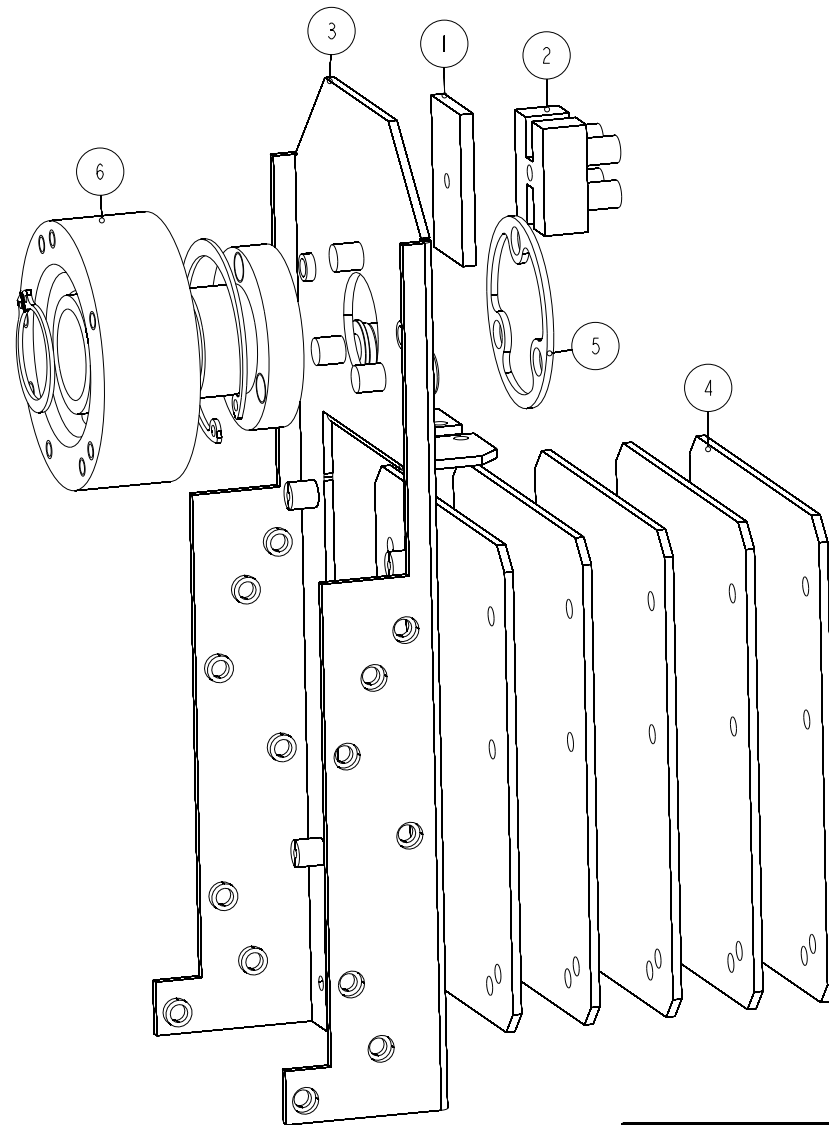
PRODUCT		PHW-710			
PIC. NO.		13-0011-02-00-00			
EDIT		FILE NO.	GS-EXP-056A	PAGE NO.	6/25
CHECK		VERSION	NR	DATE	2007.12.18
APPROVE		ECN NO.		DATE	



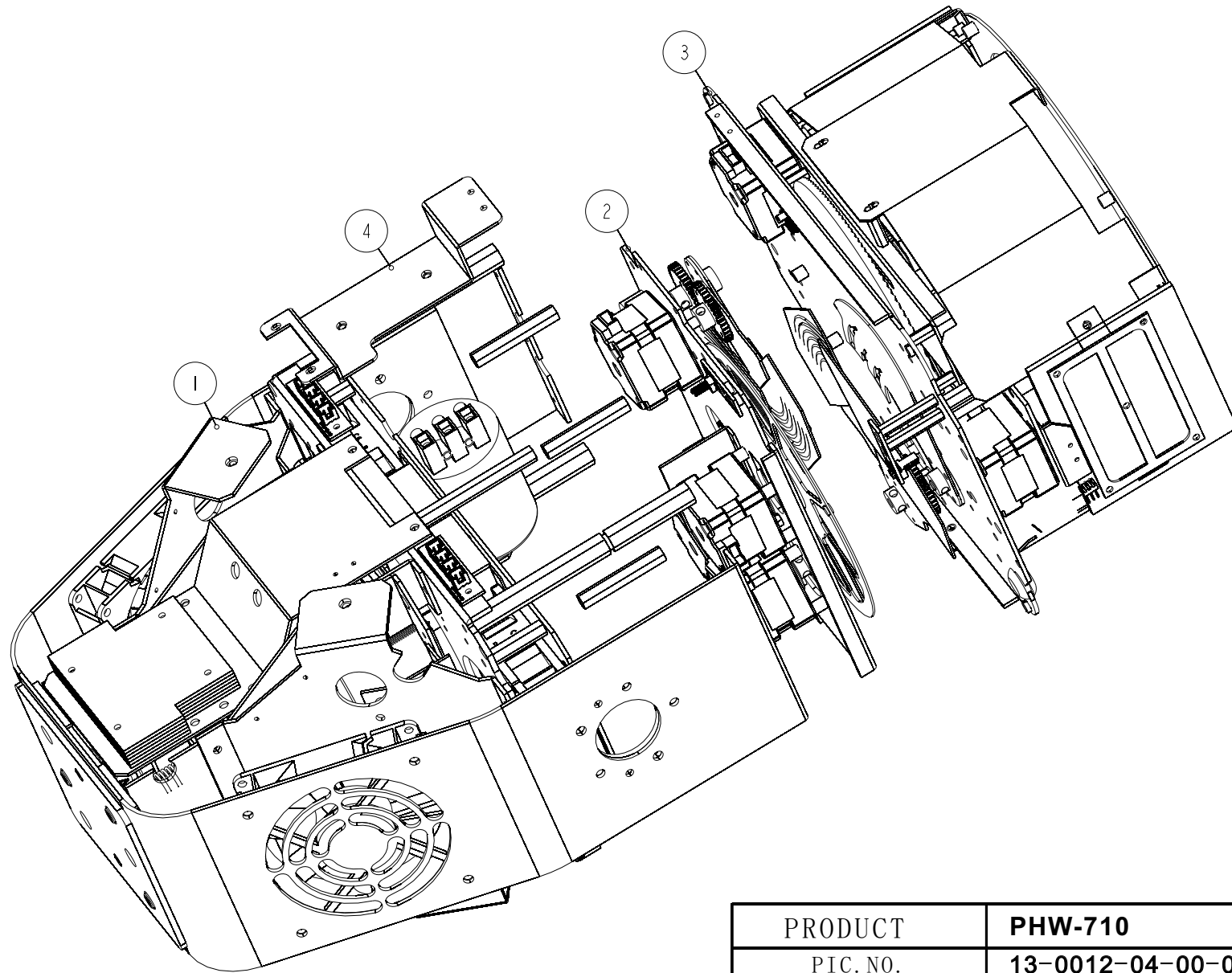
PRODUCT		PHW-710			
PIC. NO.		13-0012-03-00-00			
EDIT		FILE NO.	GS-EXP-056A	PAGE NO.	7/25
CHECK		VERSION	NR	DATE	2007.12.18
APPROVE		ECN NO.		DATE	



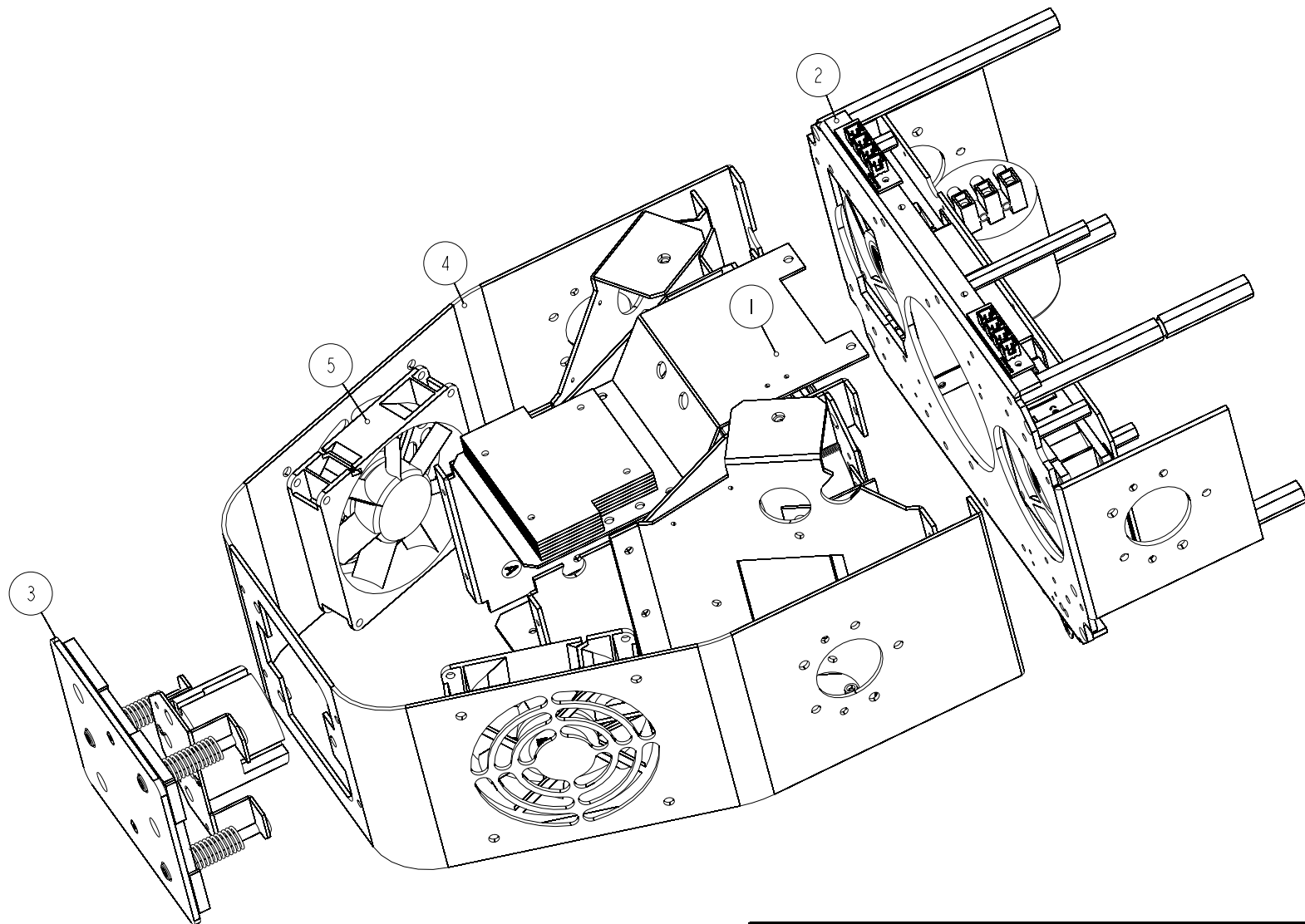
PRODUCT		PHW-710			
PIC. NO.		14-0001-03-01-00			
EDIT		FILE NO.	GS-EXP-056A	PAGE NO.	8/25
CHECK		VERSION	NR	DATE	2007.12.18
APPROVE		ECN NO.		DATE	



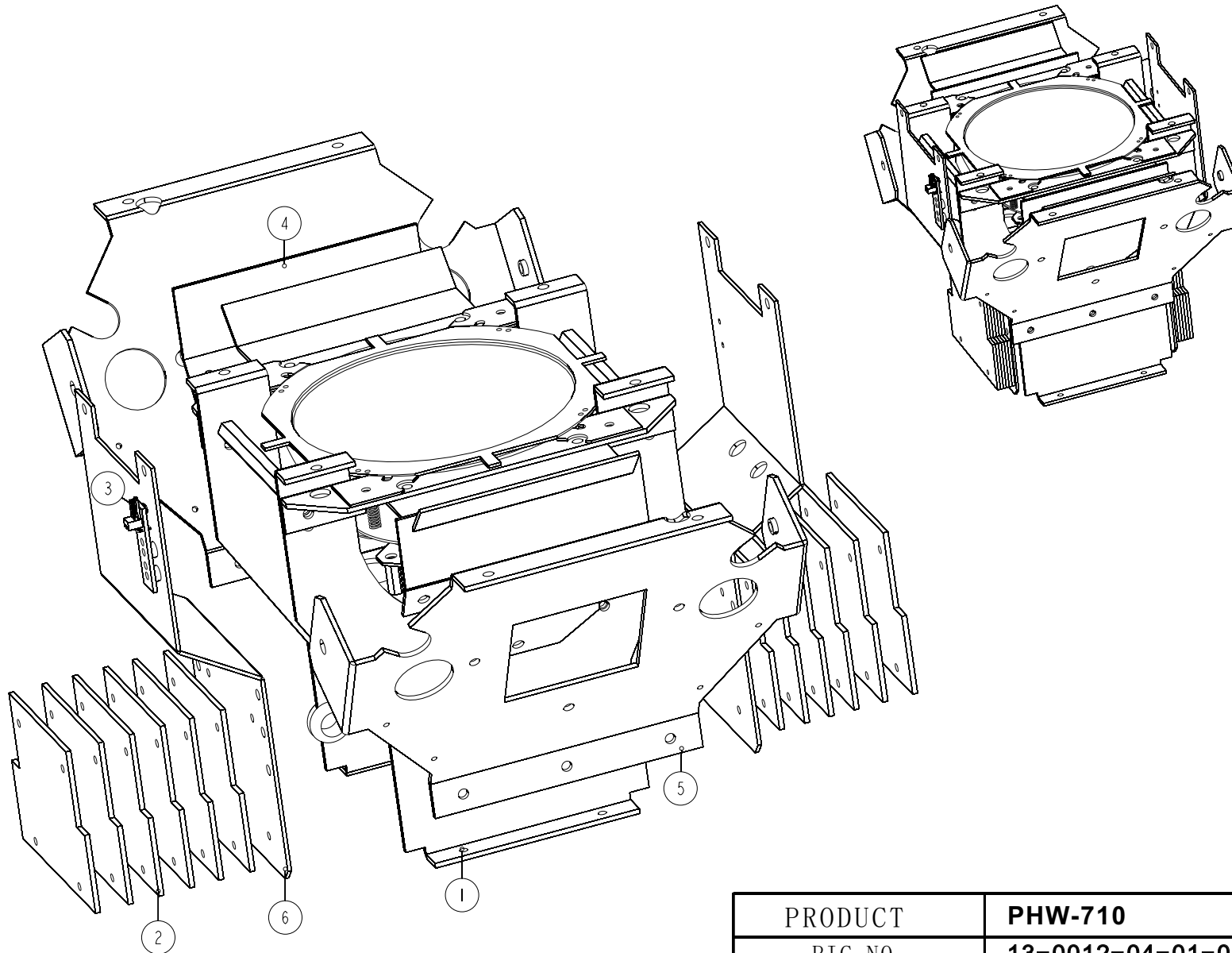
PRODUCT		PHW-710			
PIC. NO.		14-0001-03-02-00			
EDIT		FILE NO.	GS-EXP-056A	PAGE NO.	9/25
CHECK		VERSION	NR	DATE	2007.12.18
APPROVE		ECN NO.		DATE	



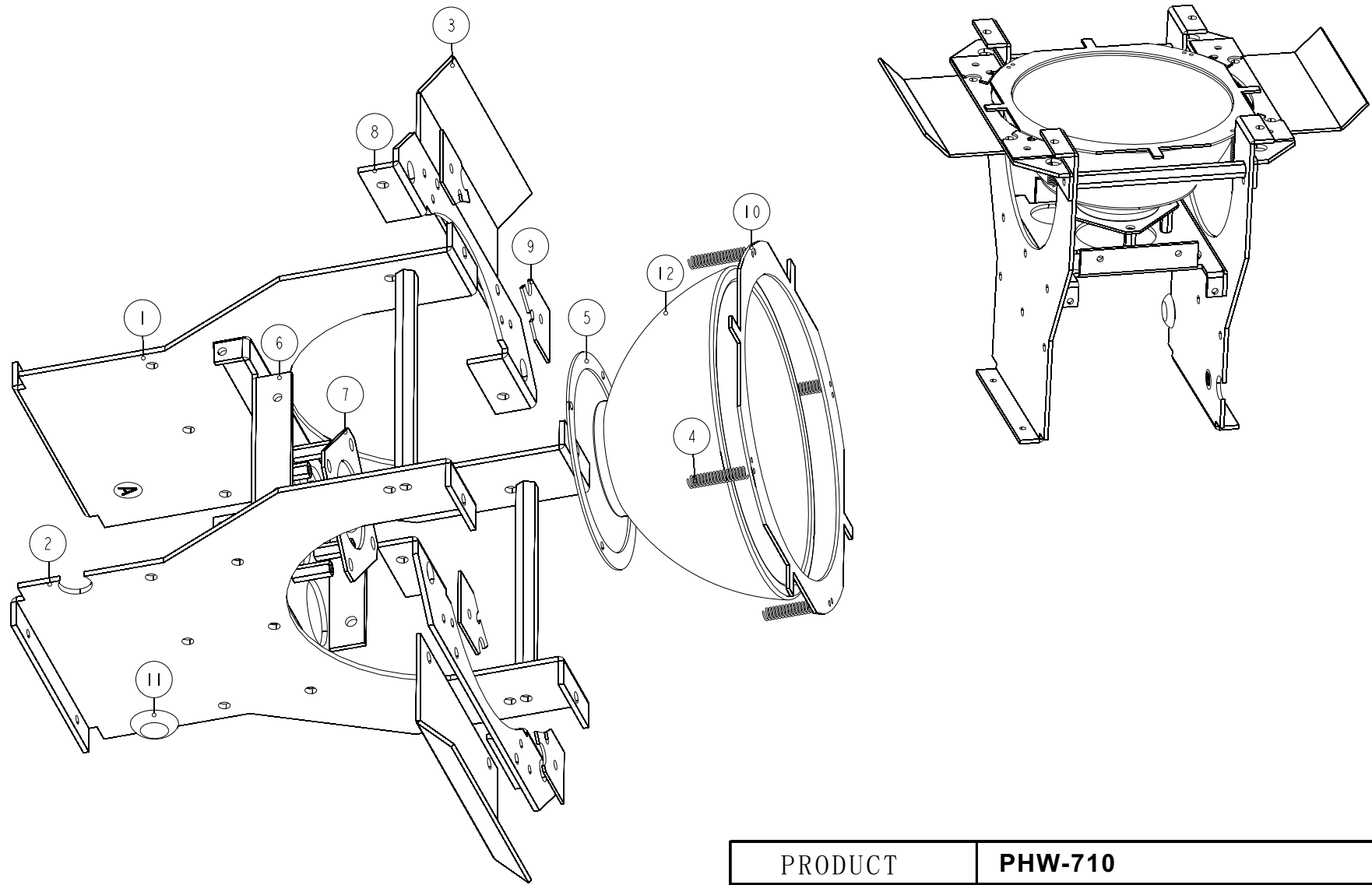
PRODUCT		PHW-710			
PIC. NO.		13-0012-04-00-00			
EDIT		FILE NO.	GS-EXP-056A	PAGE NO.	10/25
CHECK		VERSION	NR	DATE	2007. 12. 18
APPROVE		ECN NO.		DATE	



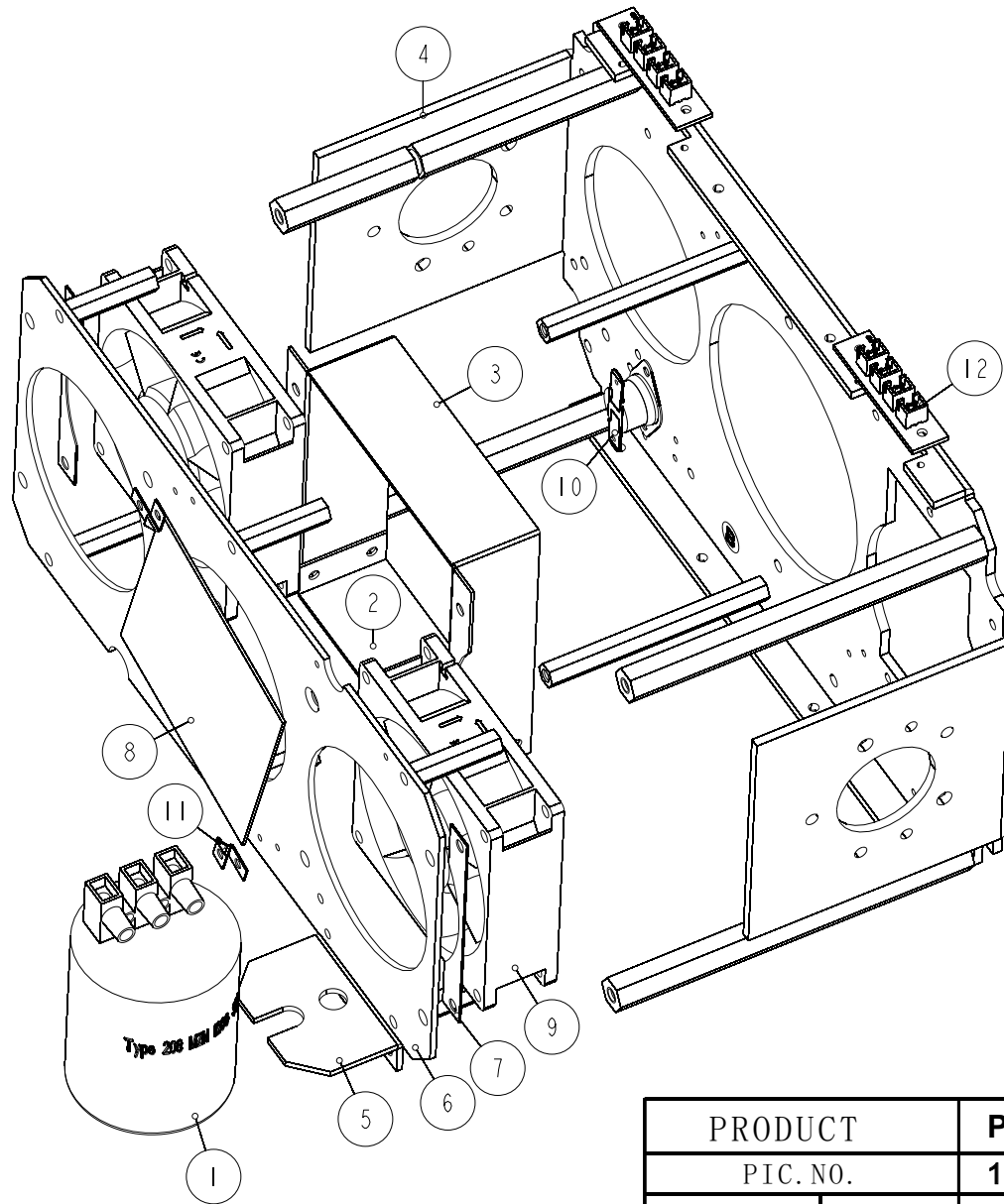
PRODUCT		PHW-710			
PIC. NO.		13-0012-04-01-00			
EDIT		FILE NO.	GS-EXP-056A	PAGE NO.	11/25
CHECK		VERSION	NR	DATE	2007. 12. 18
APPROVE		ECN NO.		DATE	



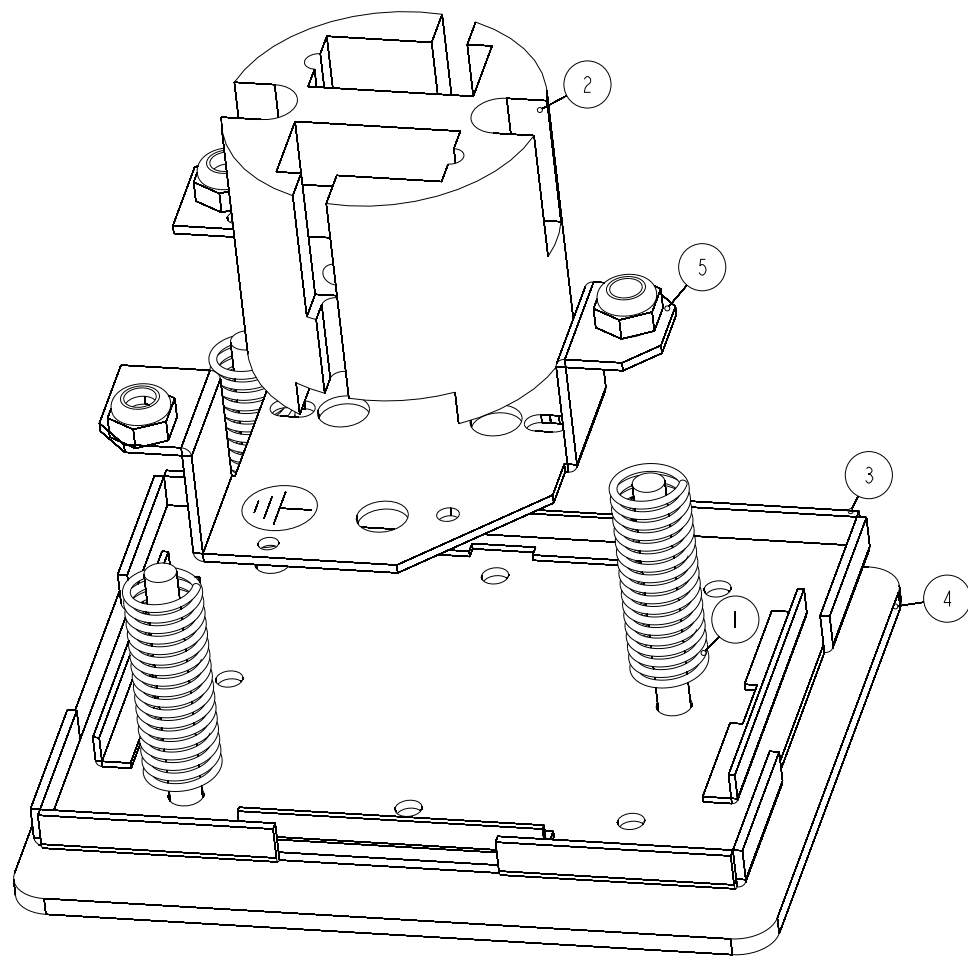
PRODUCT		PHW-710			
PIC. NO.		13-0012-04-01-01			
EDIT		FILE NO.	GS-EXP-056A	PAGE NO.	12/25
CHECK		VERSION	NR	DATE	2007. 12. 18
APPROVE		ECN NO.		DATE	



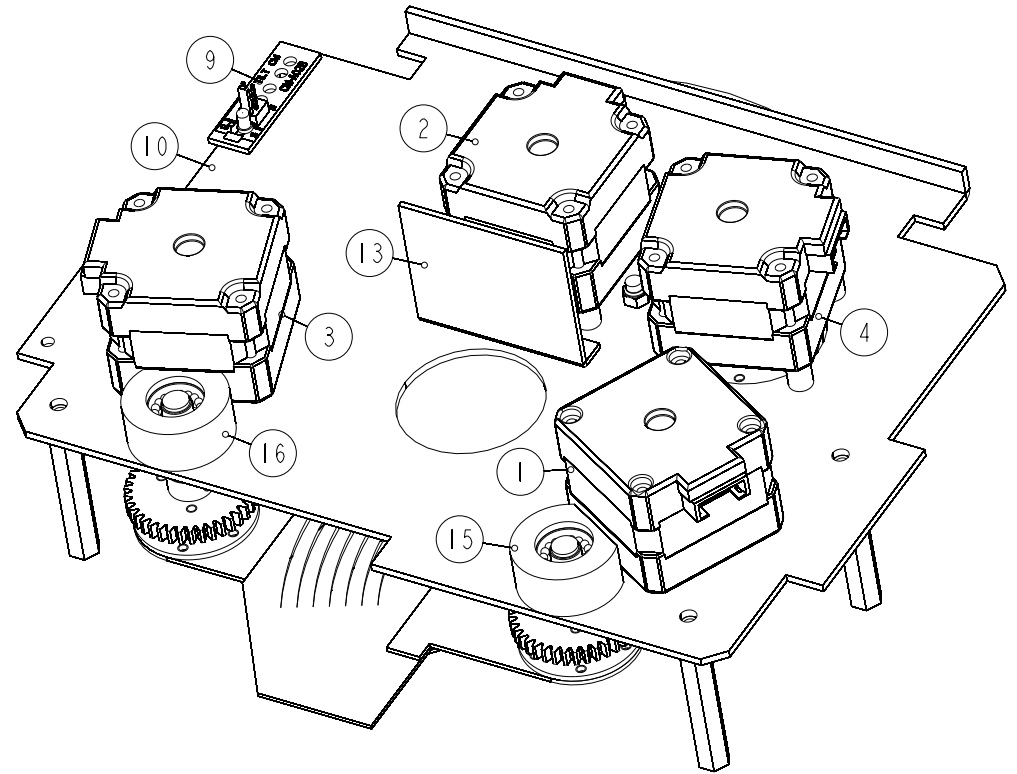
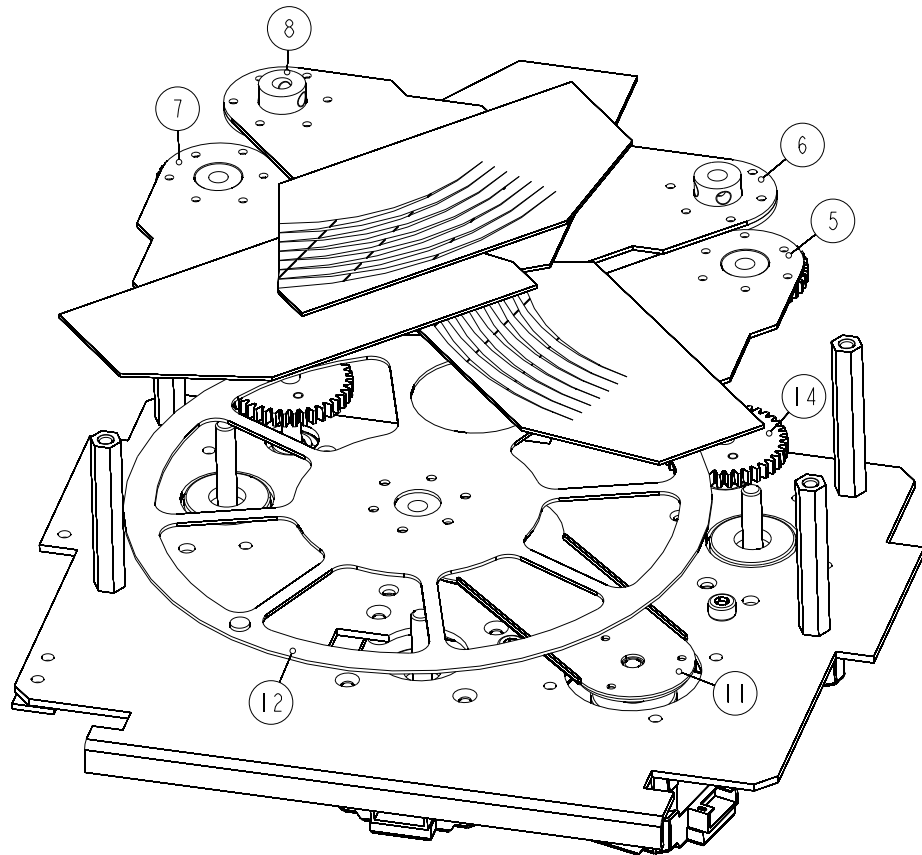
PRODUCT		PHW-710			
PIC. NO.		7001-NEW26_B00			
EDIT		FILE NO.	GS-EXP-056A	PAGE NO.	13/25
CHECK		VERSION	NR	DATE	2007. 12. 18
APPROVE		ECN NO.		DATE	



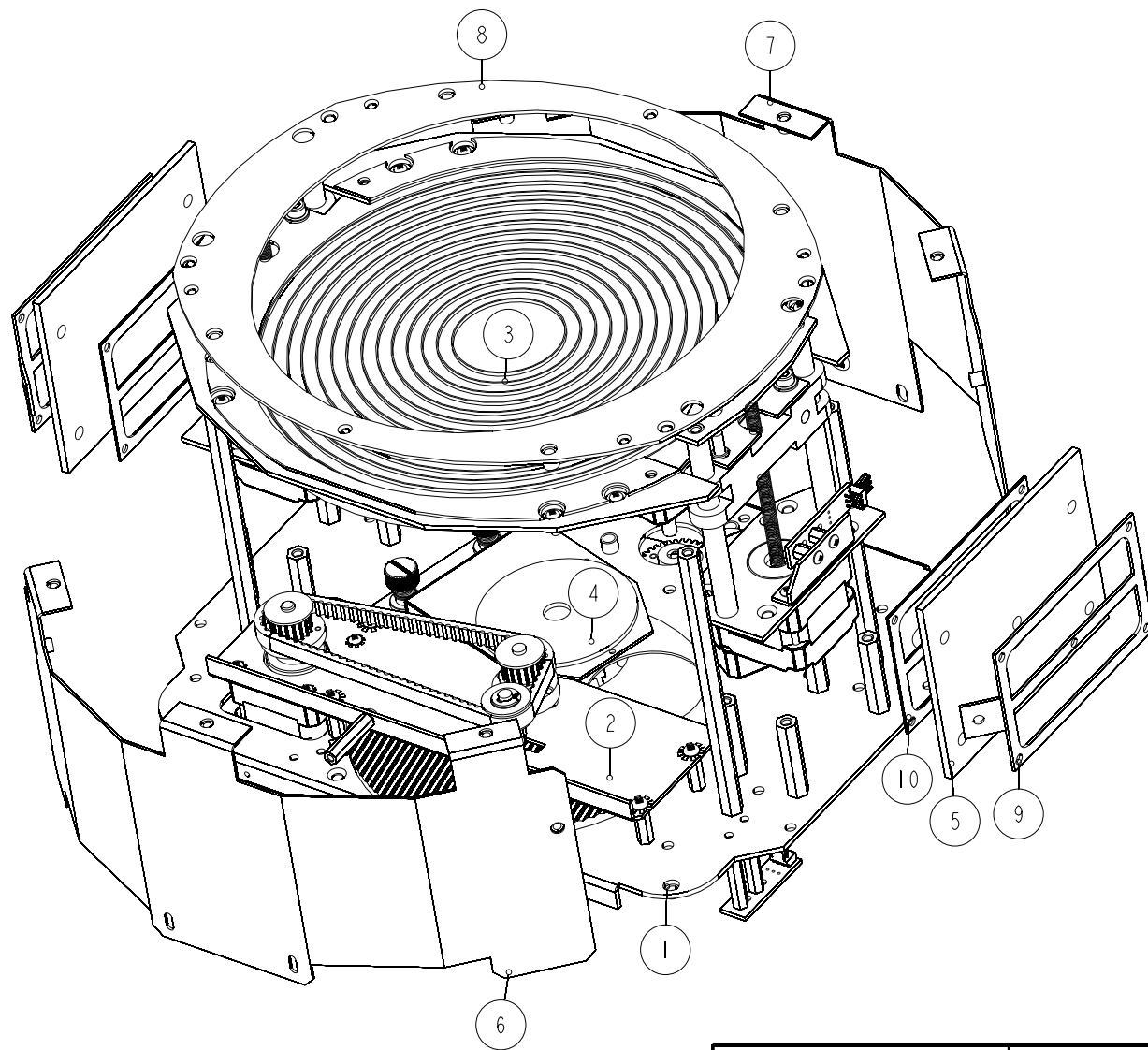
PRODUCT		PHW-710			
PIC. NO.		13-0012-04-01-02			
EDIT		FILE NO.	GS-EXP-056A	PAGE NO.	14/25
CHECK		VERSION	NR	DATE	2007. 12. 18
APPROVE		ECN NO.		DATE	



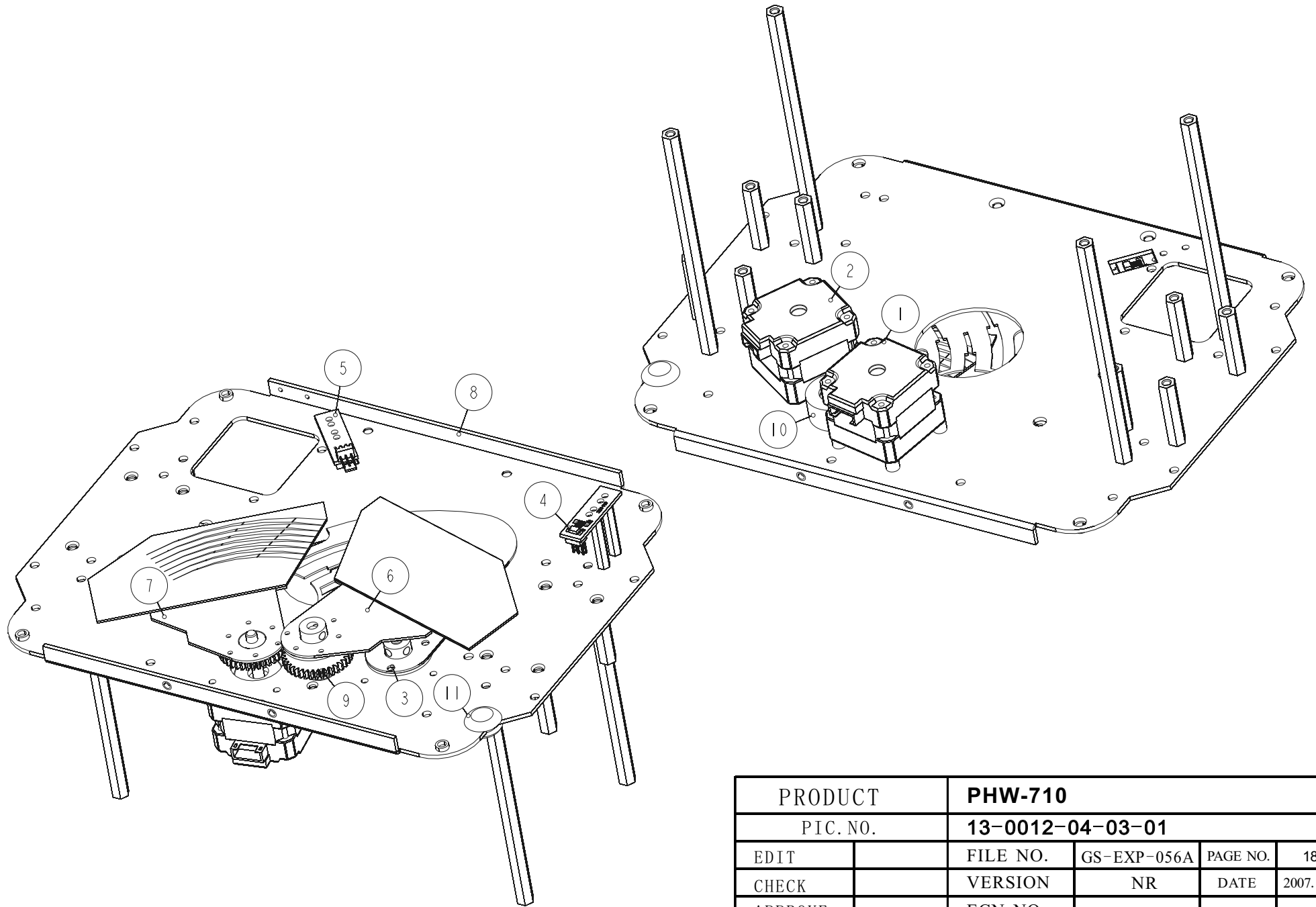
PRODUCT		PHW-710			
PIC. NO.		13-0011-04-01-04			
EDIT		FILE NO.	GS-EXP-056A	PAGE NO.	15/25
CHECK		VERSION	NR	DATE	2007. 12. 18
APPROVE		ECN NO.		DATE	



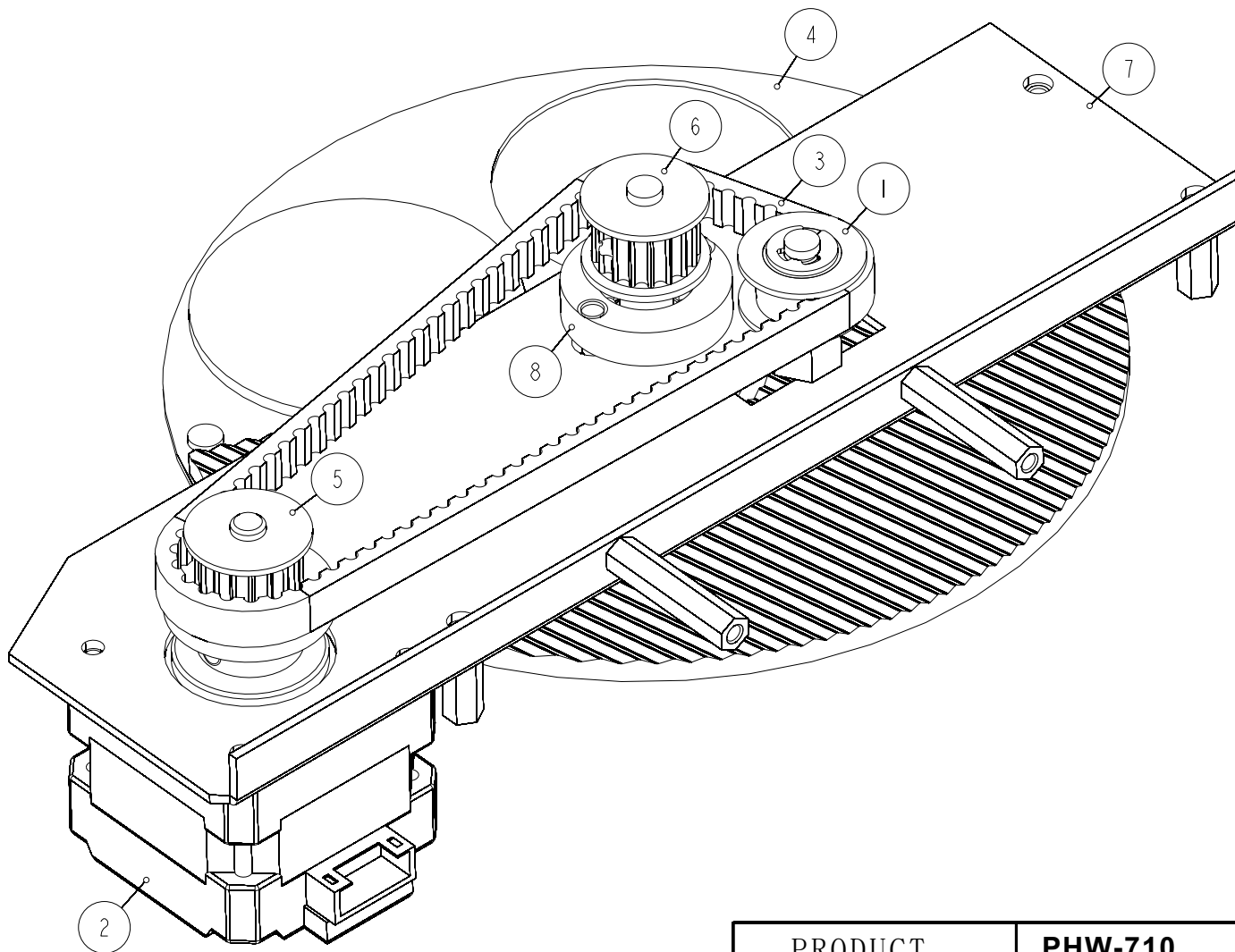
PRODUCT		PHW-710			
PIC. NO.		13-0012-04-02-00			
EDIT		FILE NO.	GS-EXP-056A	PAGE NO.	16/25
CHECK		VERSION	NR	DATE	2007. 12. 18
APPROVE		ECN NO.		DATE	



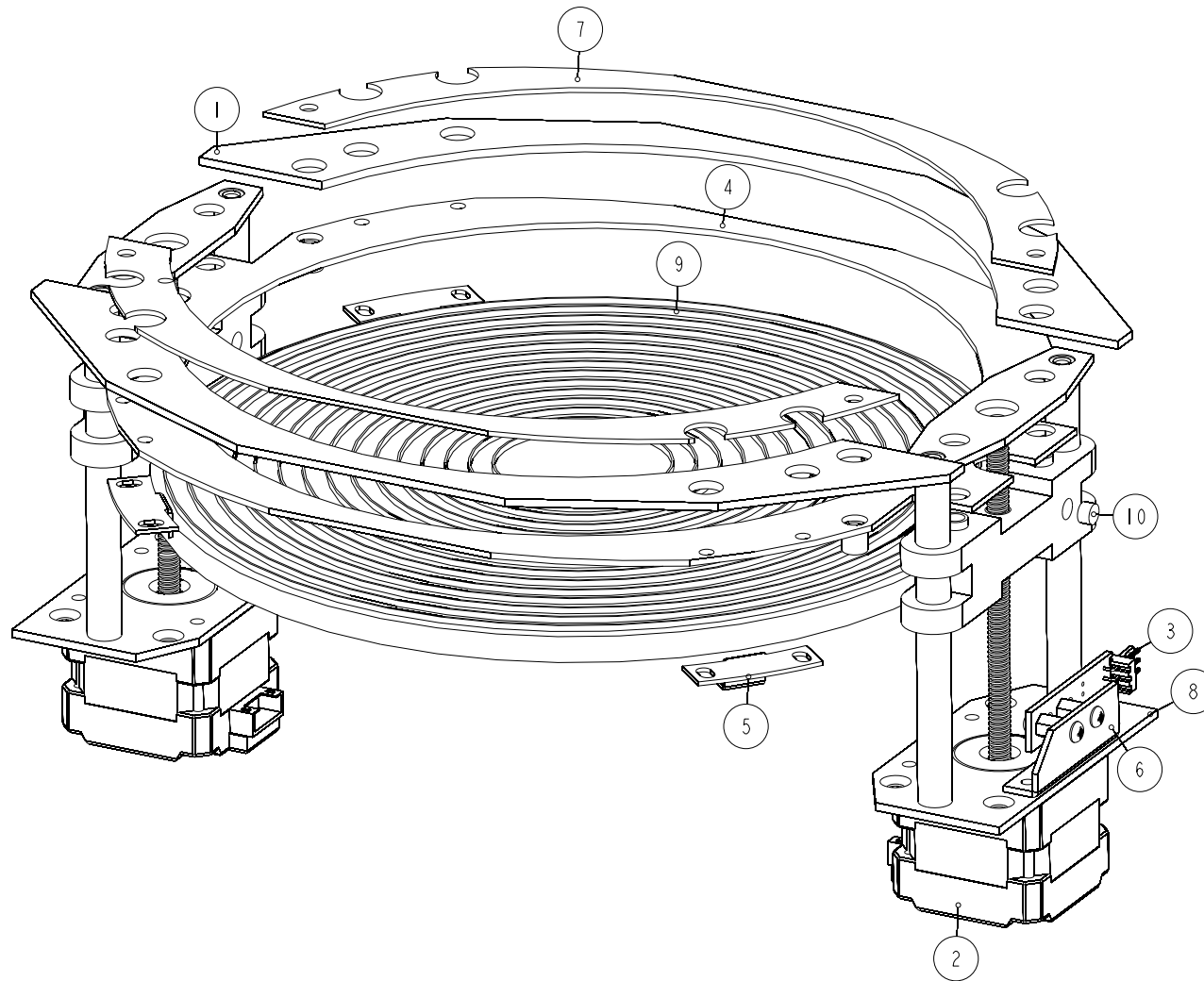
PRODUCT		PHW-710			
PIC. NO.		13-0012-04-03-00			
EDIT		FILE NO.	GS-EXP-056A	PAGE NO.	17/25
CHECK		VERSION	NR	DATE	2007. 12. 18
APPROVE		ECN NO.		DATE	



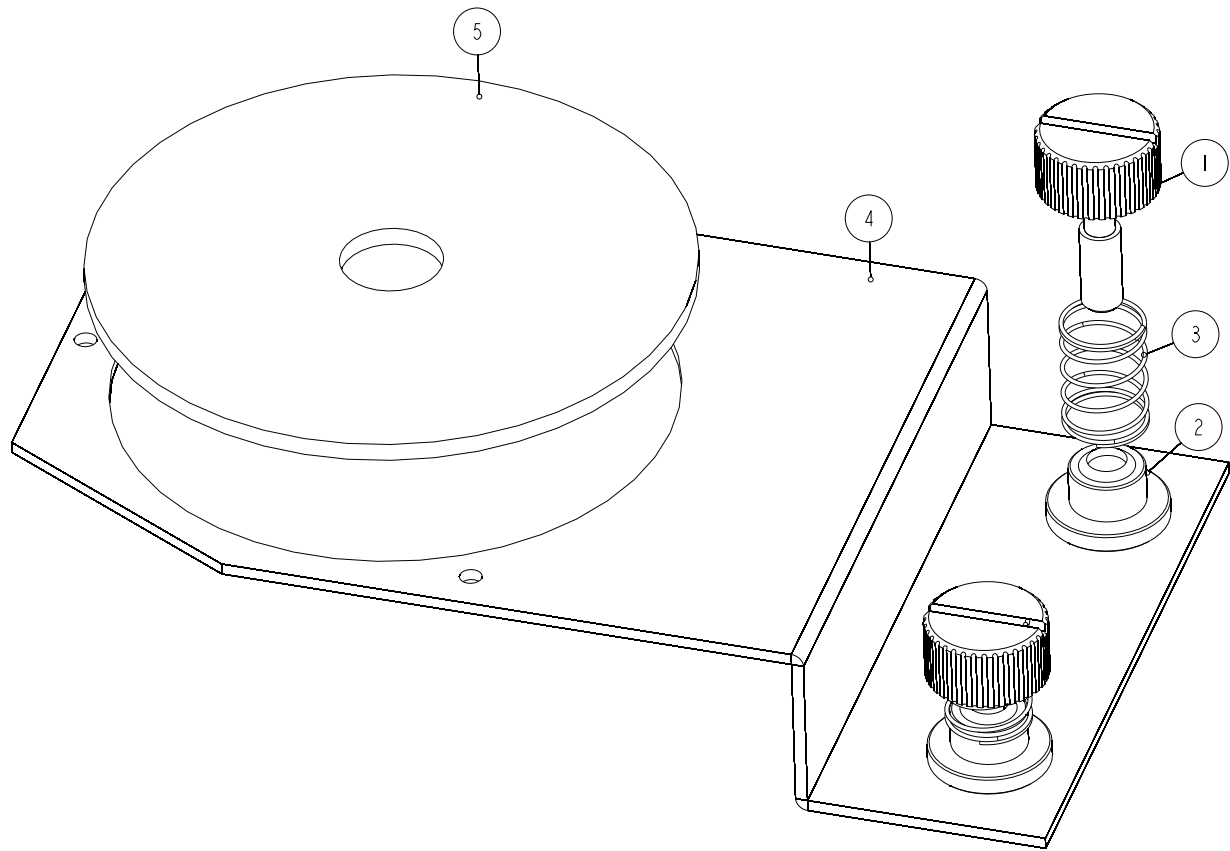
PRODUCT		PHW-710			
PIC. NO.		13-0012-04-03-01			
EDIT		FILE NO.	GS-EXP-056A	PAGE NO.	18/25
CHECK		VERSION	NR	DATE	2007. 12. 18
APPROVE		ECN NO.		DATE	



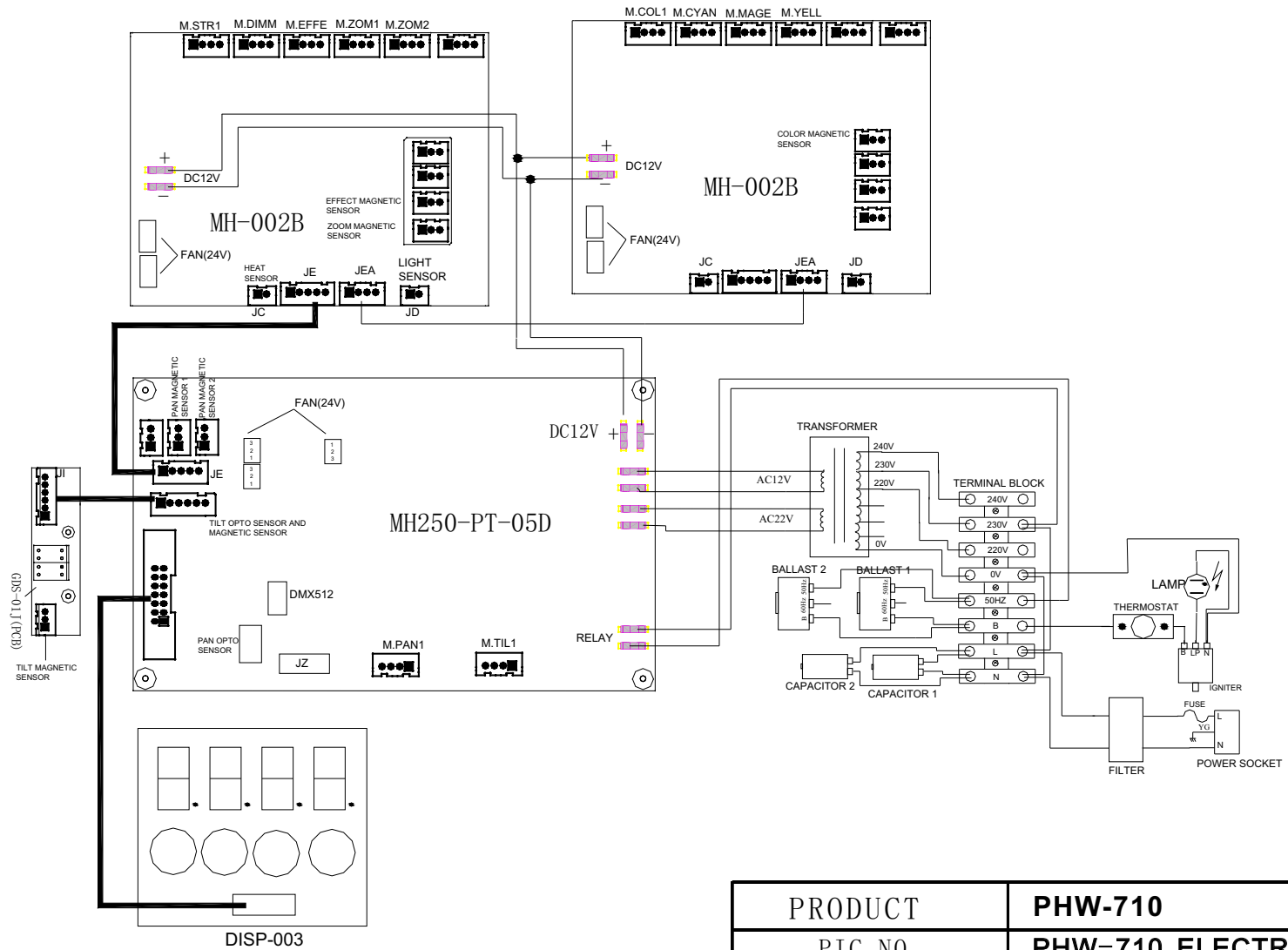
PRODUCT		PHW-710			
PIC. NO.		13-0012-04-03-02			
EDIT		FILE NO.	GS-EXP-056A	PAGE NO.	19/25
CHECK		VERSION	NR	DATE	2007.12.18
APPROVE		ECN NO.		DATE	



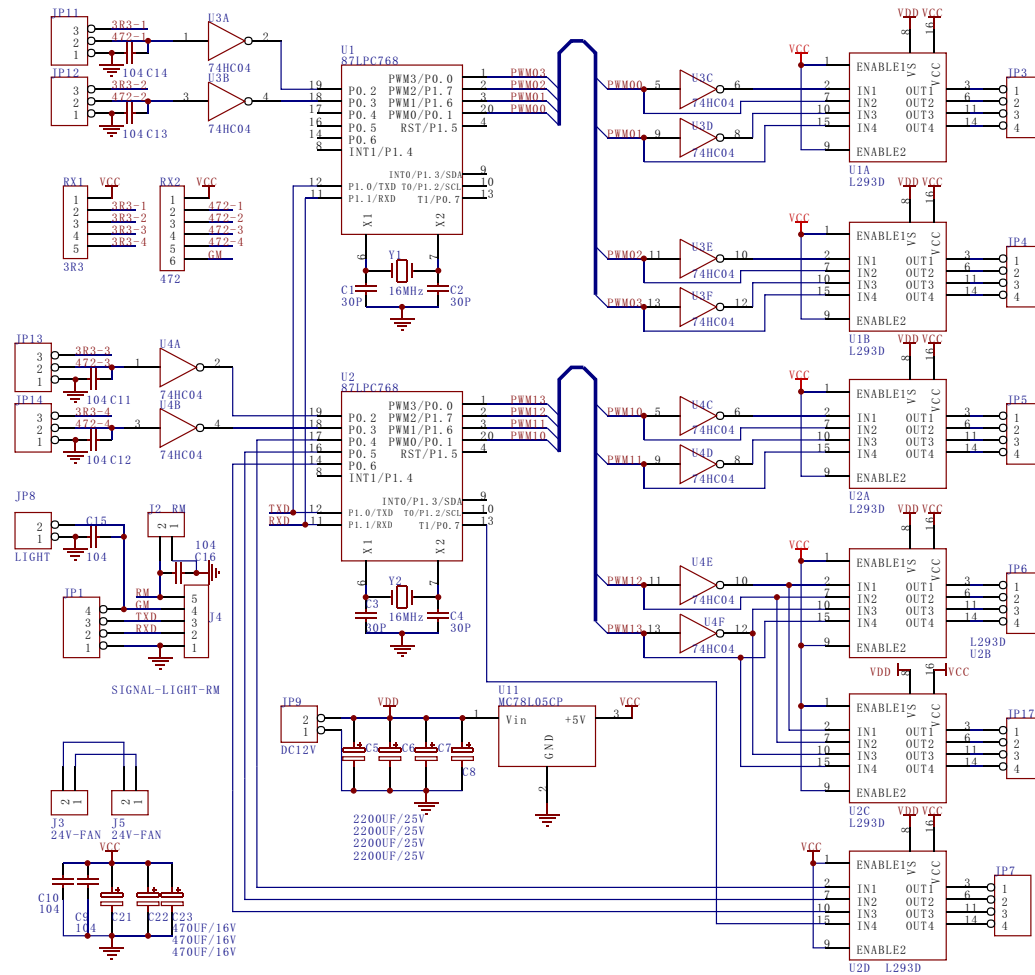
PRODUCT		PHW-710			
PIC. NO.		14-0002-04-03-03			
EDIT		FILE NO.	GS-EXP-056A	PAGE NO.	20/25
CHECK		VERSION	NR	DATE	2007. 12. 18
APPROVE		ECN NO.		DATE	



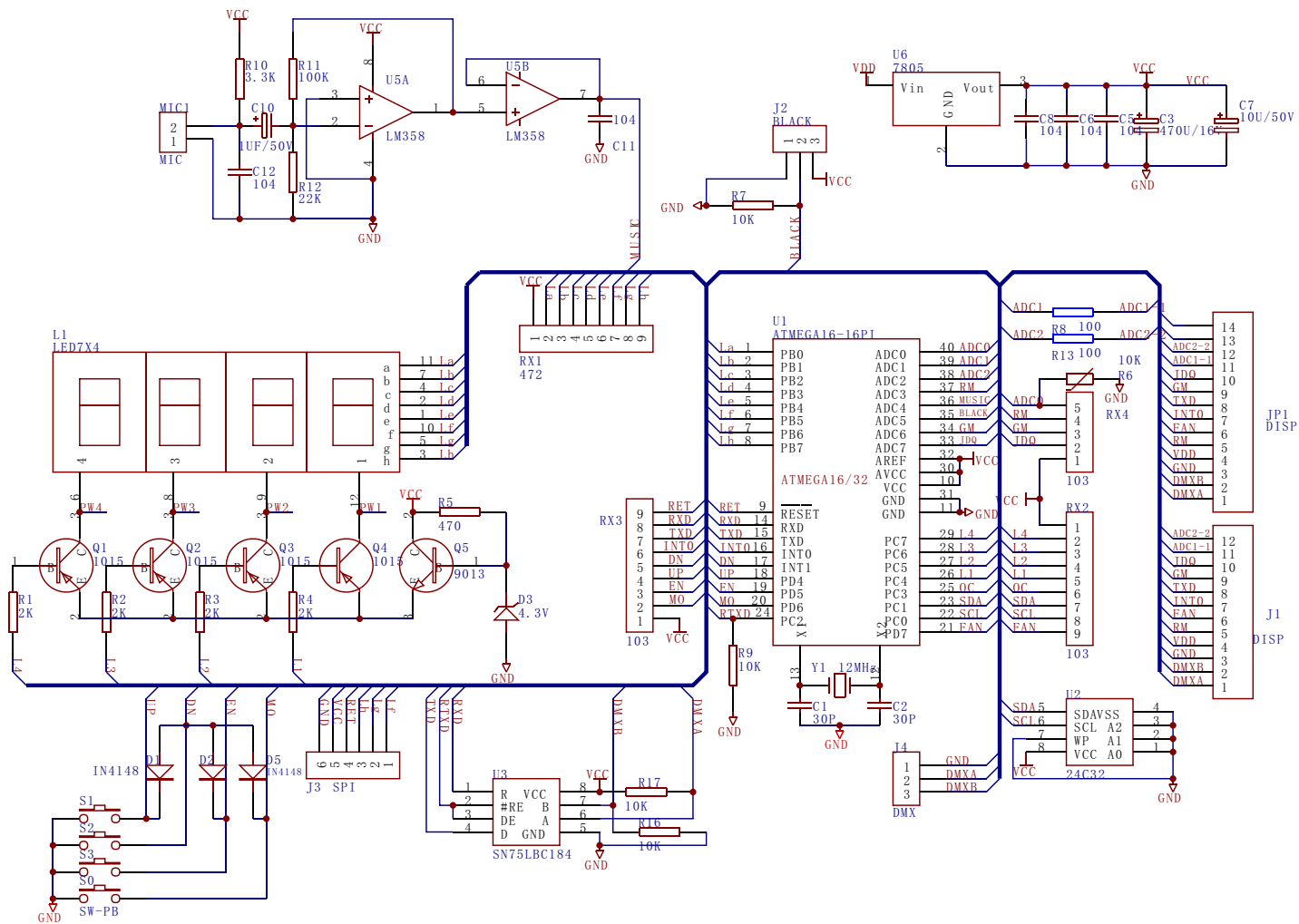
PRODUCT		PHW-710			
PIC. NO.		Y575W16C-3-15_A00			
EDIT		FILE NO.	GS-EXP-056A	PAGE NO.	21/25
CHECK		VERSION	NR	DATE	2007. 12. 18
APPROVE		ECN NO.		DATE	



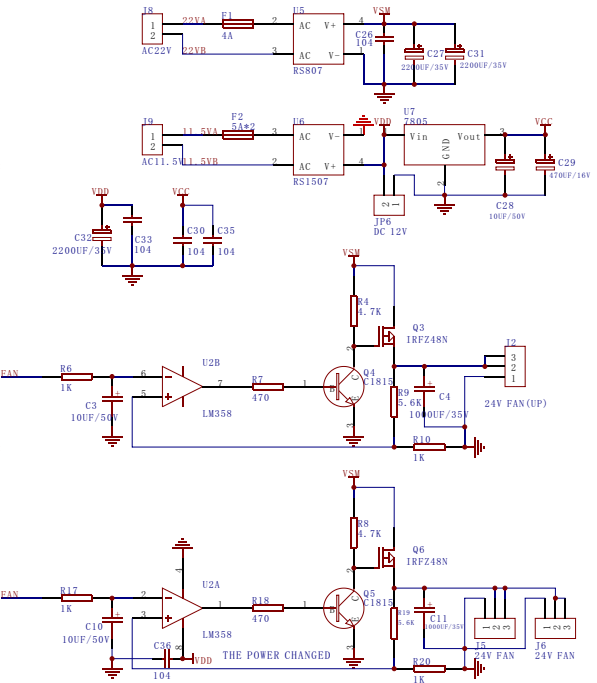
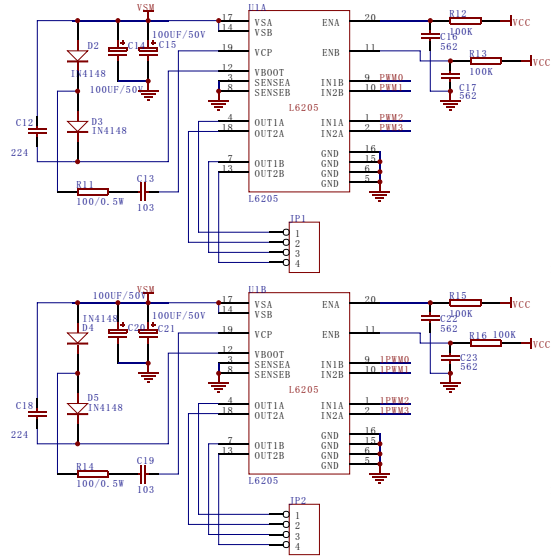
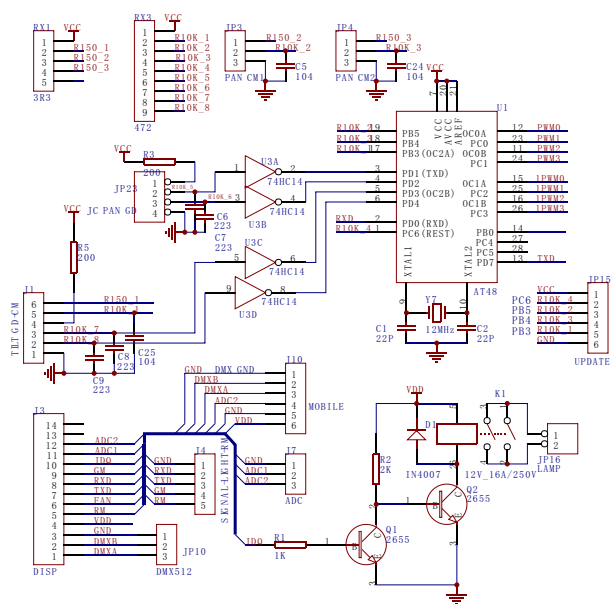
PRODUCT		PHW-710			
PIC. NO.		PHW-710 ELECTRIC			
EDIT		FILE NO.	GS-WIJL-019	PAGE NO.	22/25
CHECK		VERSION	C	DATE	2007. 12. 18
APPROVE		ECN NO.		DATE	



PRODUCT		PHW-710			
PIC. NO.		MH-002B SCHEME			
EDIT		FILE NO.	GS-WIDL-047-01	PAGE NO.	23/25
CHECK		VERSION	NR	DATE	2007. 12. 18
APPROVE		ECN NO.		DATE	



PRODUCT		PHW-710			
PIC. NO.		DISP-003 SCHEME			
EDIT		FILE NO.	GS-WIDL-048	PAGE NO.	24/25
CHECK		VERSION	NR	DATE	2007. 12. 18
APPROVE		ECN NO.		DATE	



PRODUCT		PHW-710			
PIC. NO.		MH250-PT-05D SCHEME			
EDIT		FILE NO.	GS-WIDL-073-01	PAGE NO.	25/25
CHECK		VERSION	NR	DATE	2007. 12. 18
APPROVE		ECN NO.		DATE	