

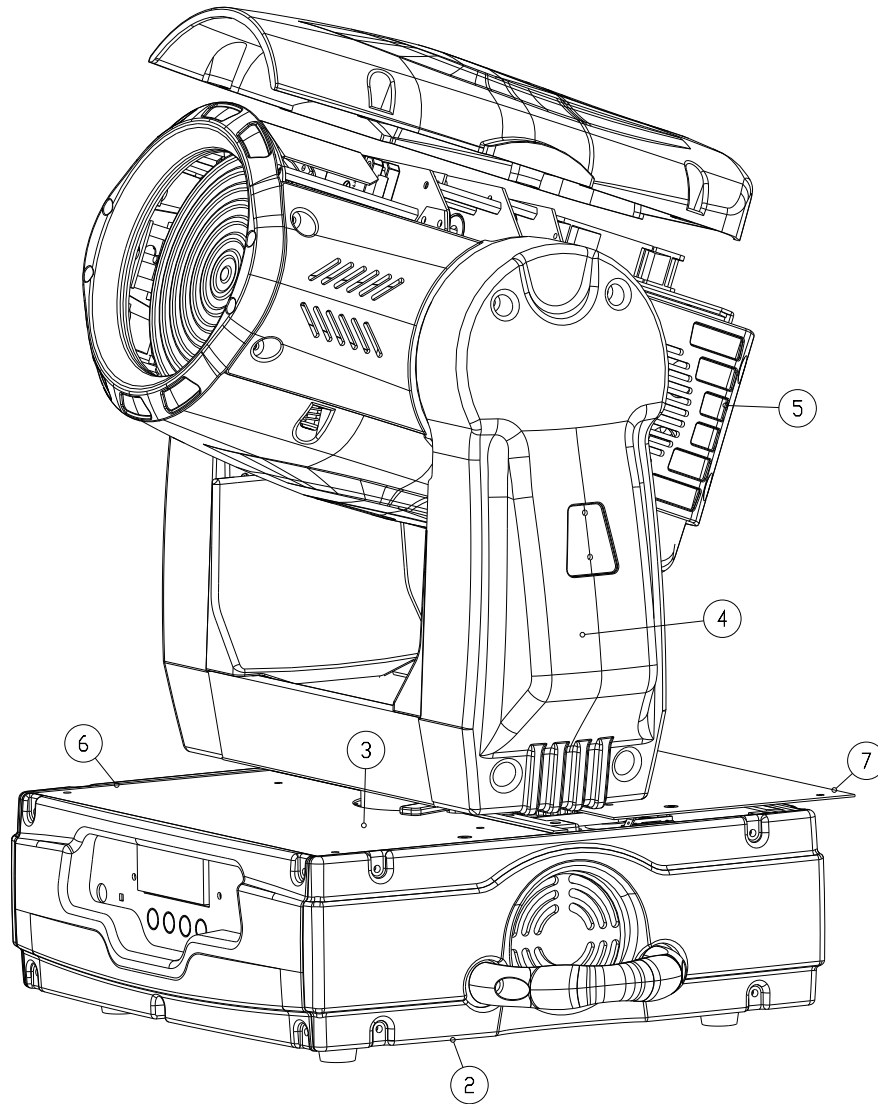
Service manual

PHW-280

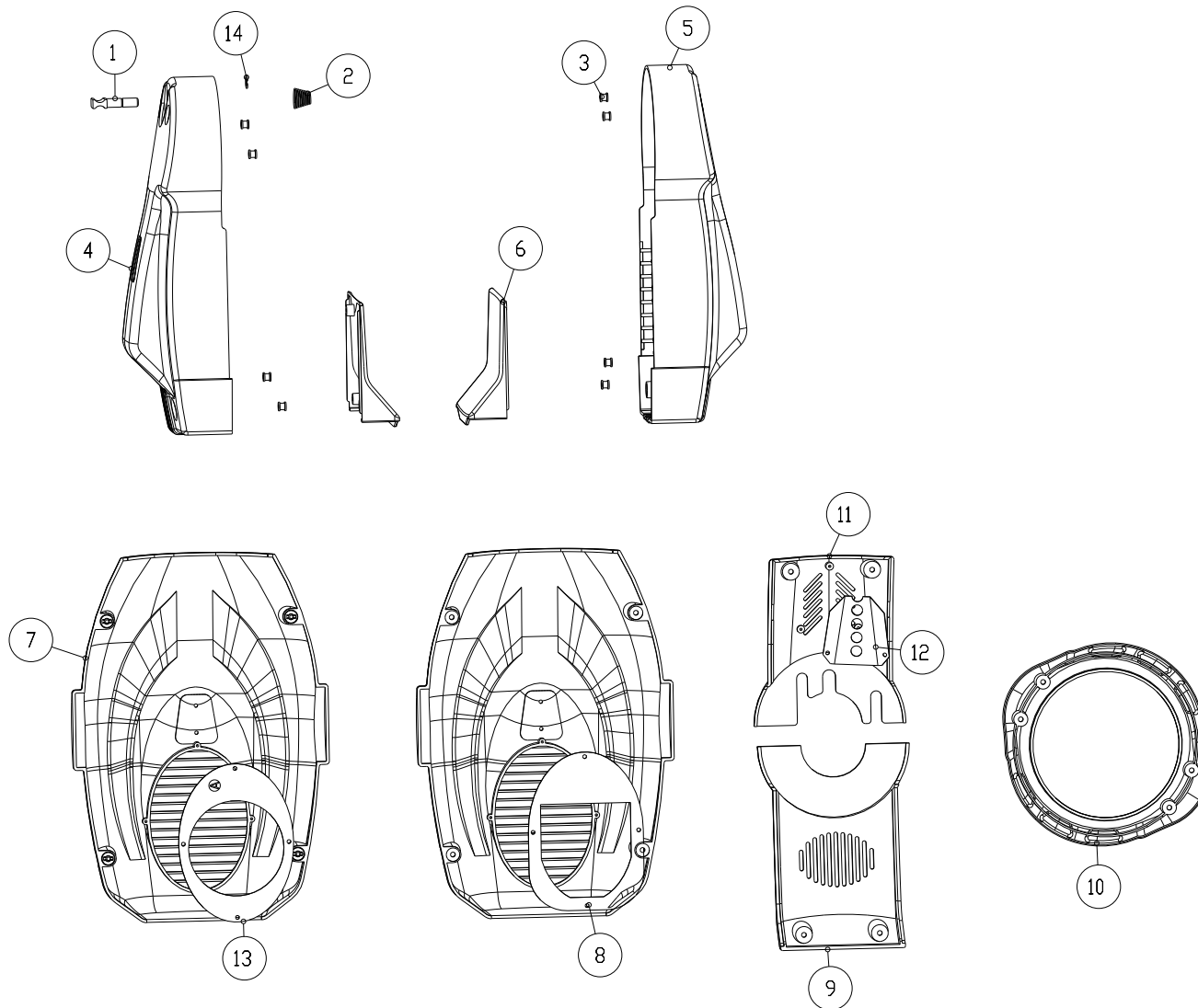
- ※ **Exploded Diagrams**
- ※ **Circuit Diagrams**
- ※ **Wiring Diagrams**
- ※ **Parts List**



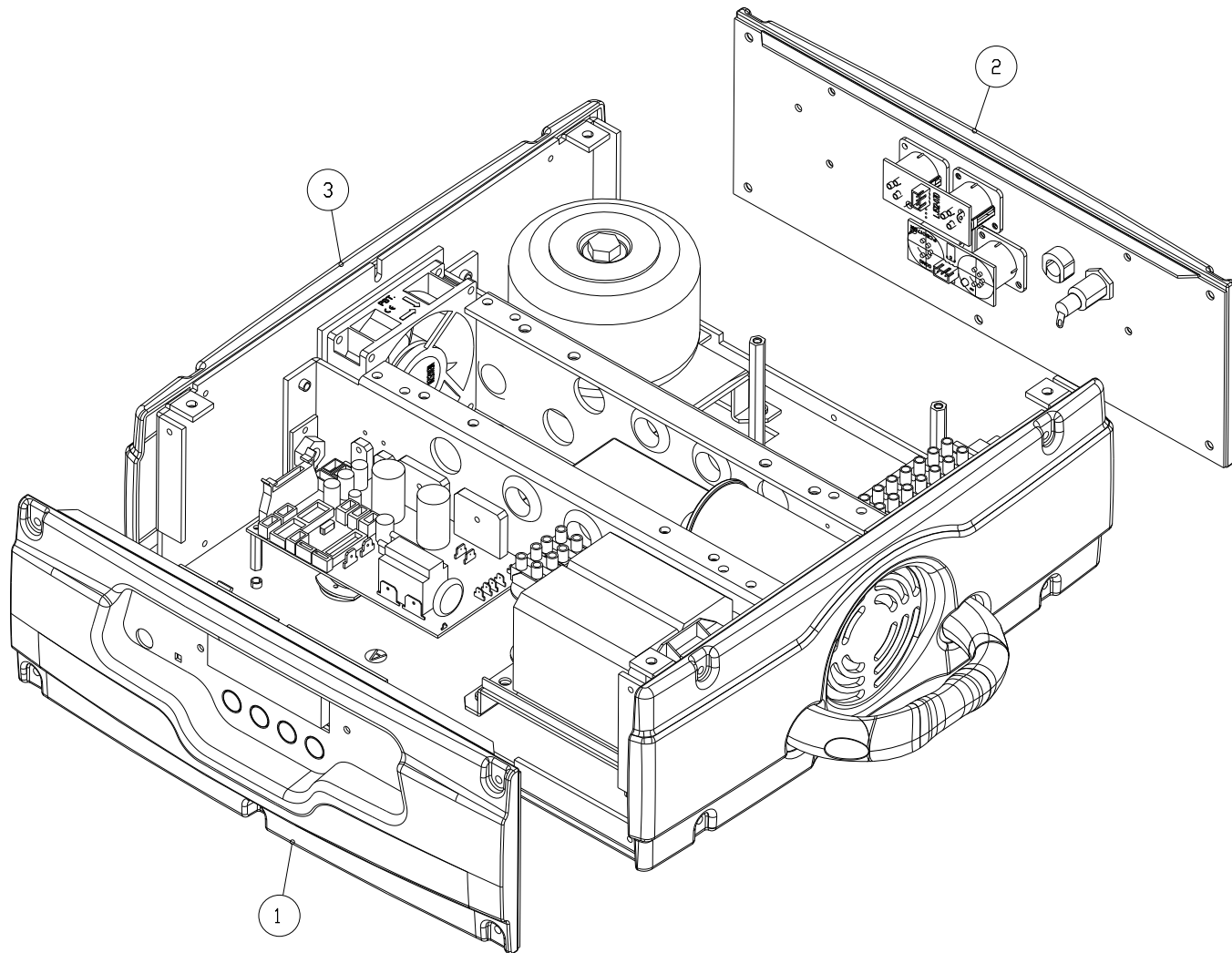
PRODUCT		PHW-280		
PIC. NO.		Front Page	Series No.	51838711X09NXS00010001- 51838711X09NXS00010050
EDIT		FILE NO.	HY-EXP-681A	
CHECK		ORDER NO.	SO20090612	
APPROVE		VERSION	NR	SOFTWARE VER. V1.0



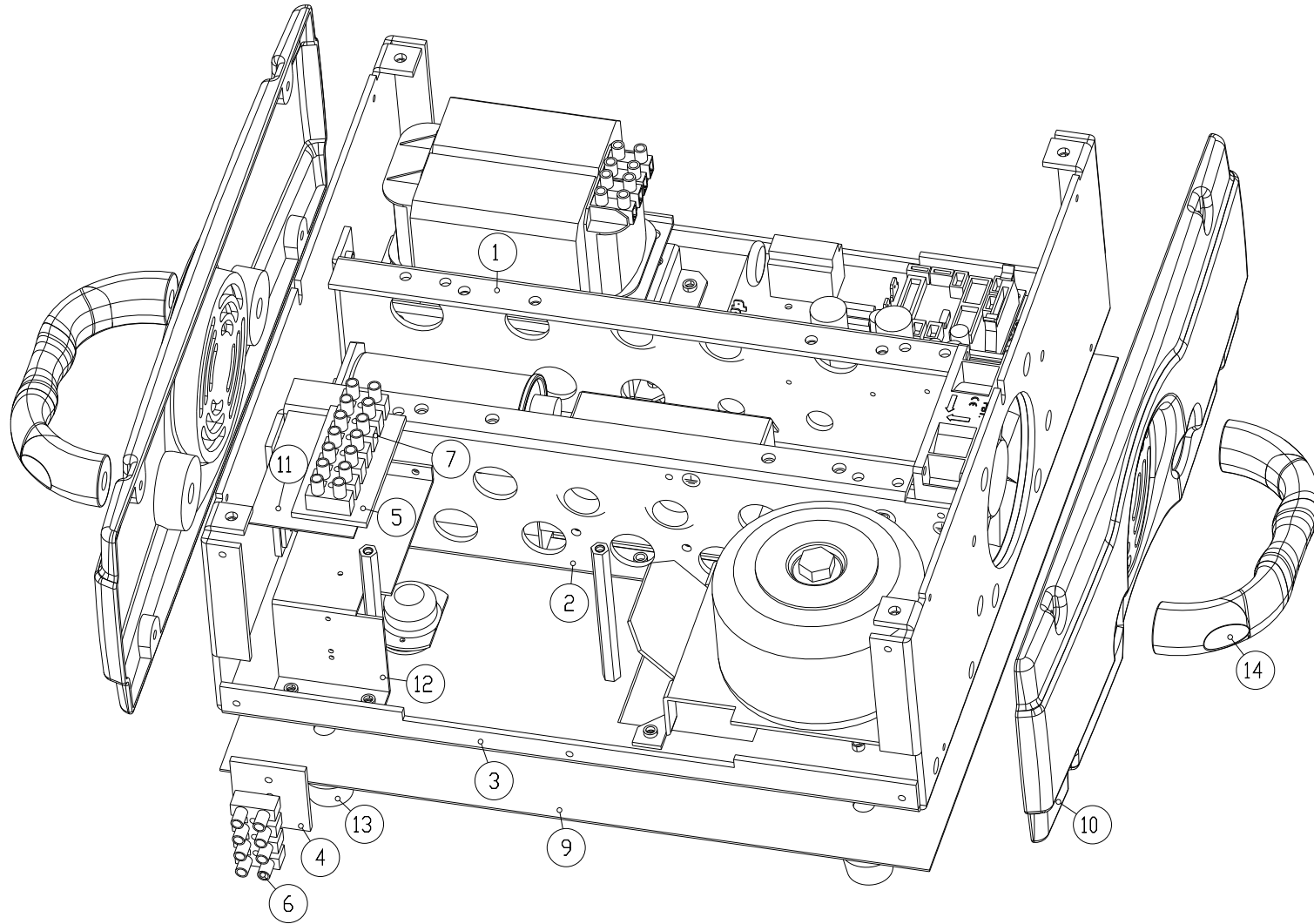
PRODUCT		PHW-280			
PIC. NO.		13-0074-00-00-00			
EDIT		FILE NO.	HY-EXP-681A	PAGE NO.	1/30
CHECK		VERSION	NR	DATE	2010.04.14
APPROVE		ECN NO.		DATE	



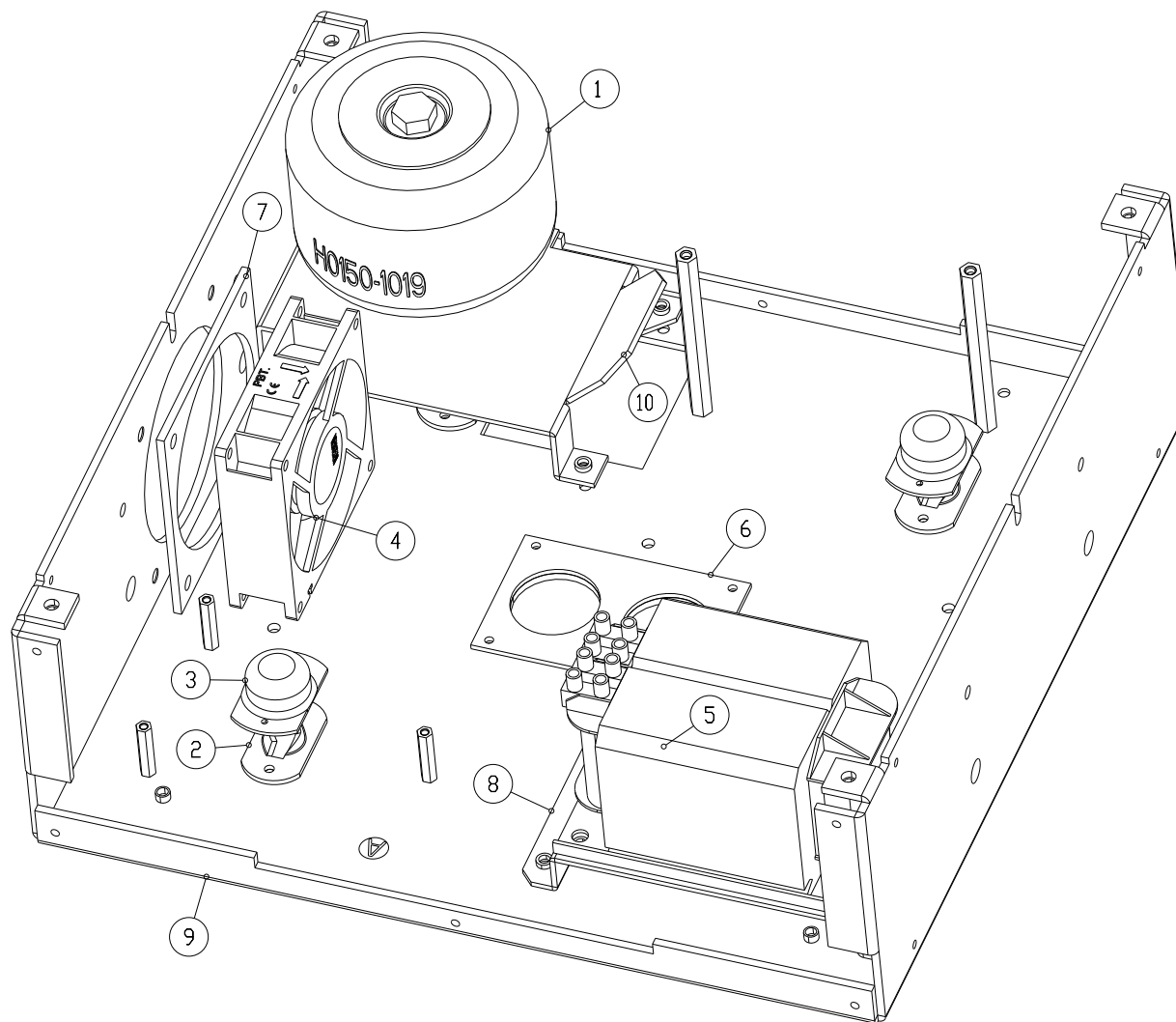
PRODUCT		PHW-280			
PIC. NO.		13-0074-00-00-SJK			
EDIT		FILE NO.	HY-EXP-681A	PAGE NO.	2/30
CHECK		VERSION	NR	DATE	2010.04.14
APPROVE		ECN NO.		DATE	



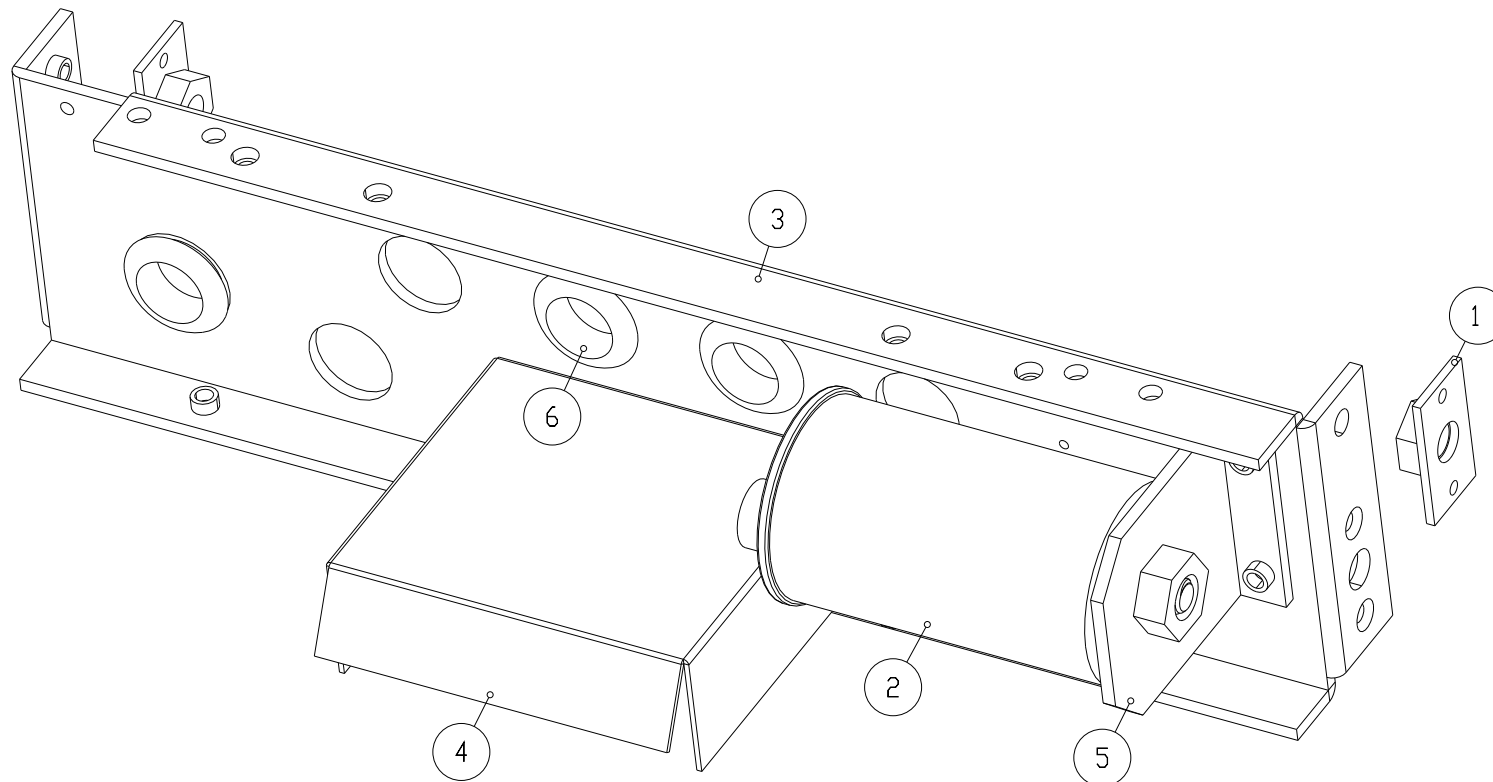
PRODUCT		PHW-280			
PIC. NO.		13-0073-01-00-00			
EDIT		FILE NO.	HY-EXP-681A	PAGE NO.	3/30
CHECK		VERSION	NR	DATE	2010.04.14
APPROVE		ECN NO.		DATE	



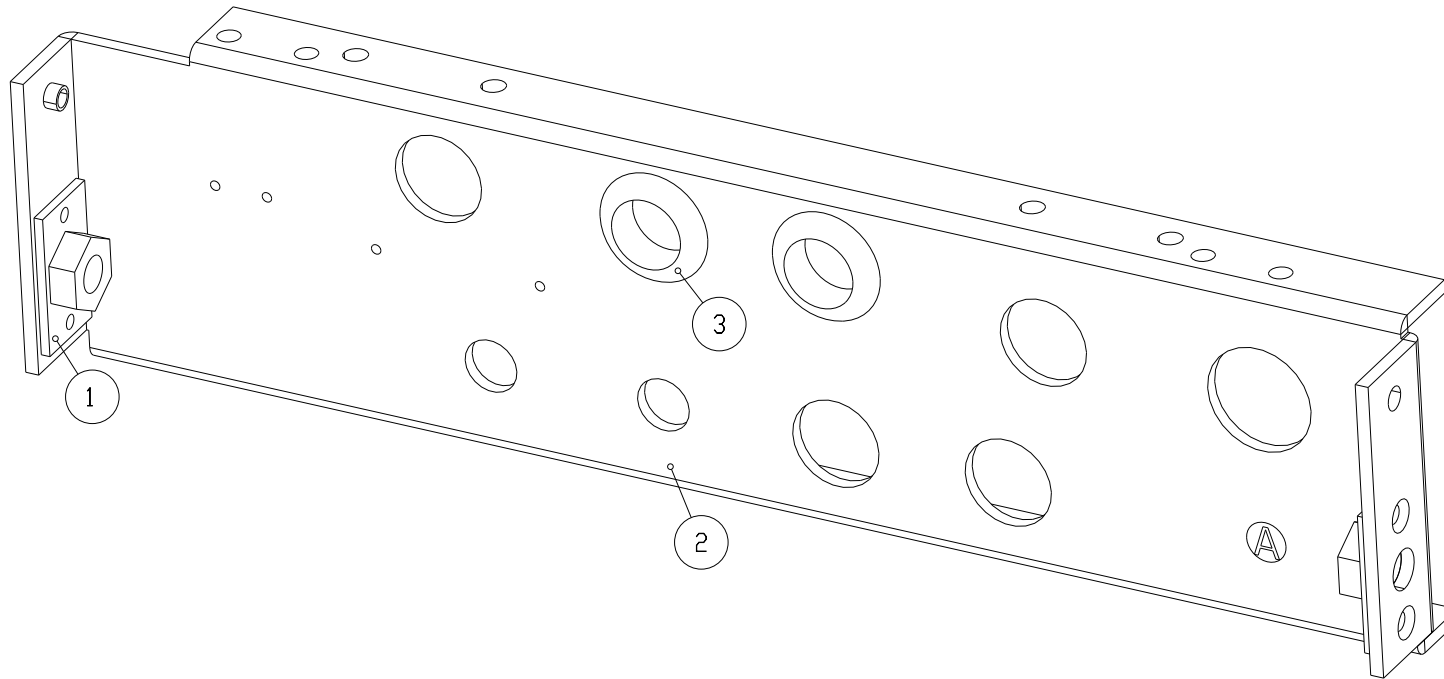
PRODUCT		PHW-280			
PIC. NO.		13-0073-01-01-00			
EDIT		FILE NO.	HY-EXP-681A	PAGE NO.	4/30
CHECK		VERSION	NR	DATE	2010.04.14
APPROVE		ECN NO.		DATE	



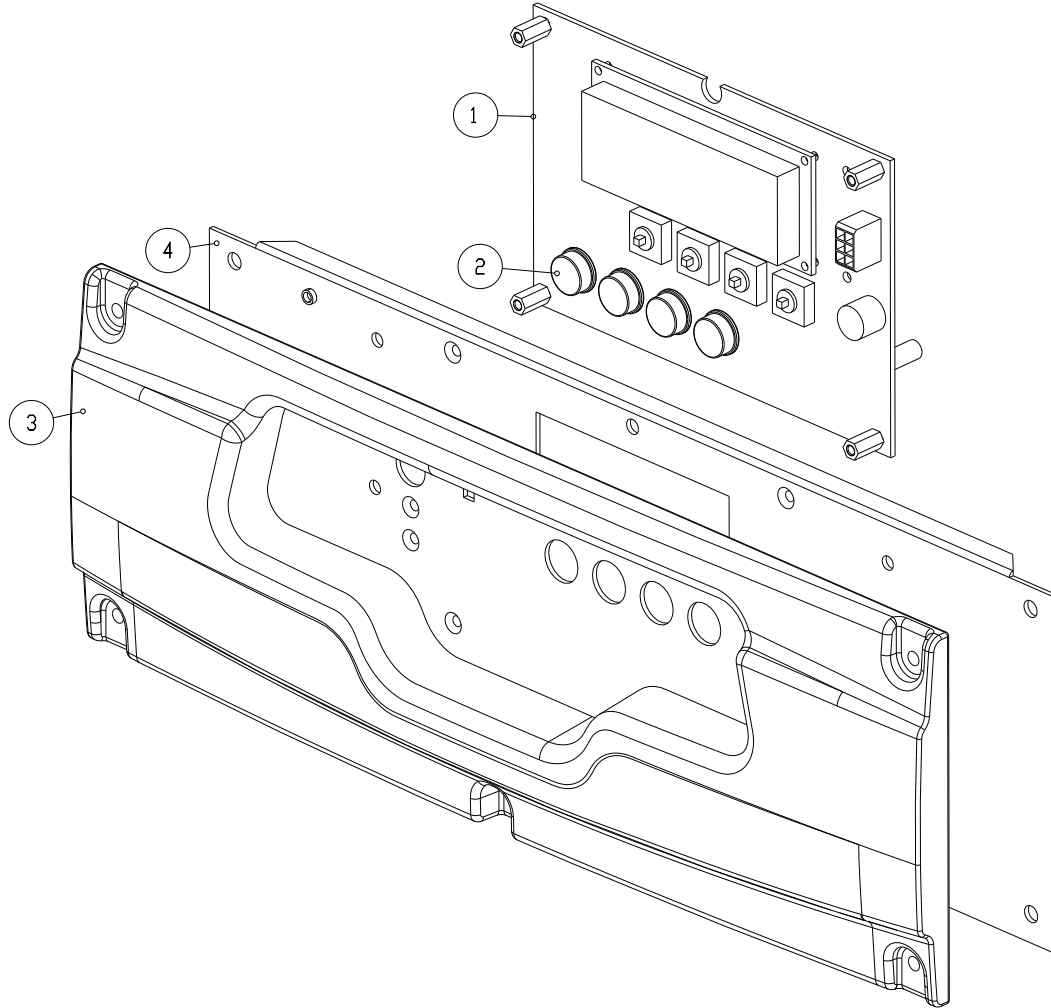
PRODUCT		PHW-280			
PIC. NO.		13-0073-01-01-01			
EDIT		FILE NO.	HY-EXP-681A	PAGE NO.	5/30
CHECK		VERSION	NR	DATE	2010.04.14
APPROVE		ECN NO.		DATE	



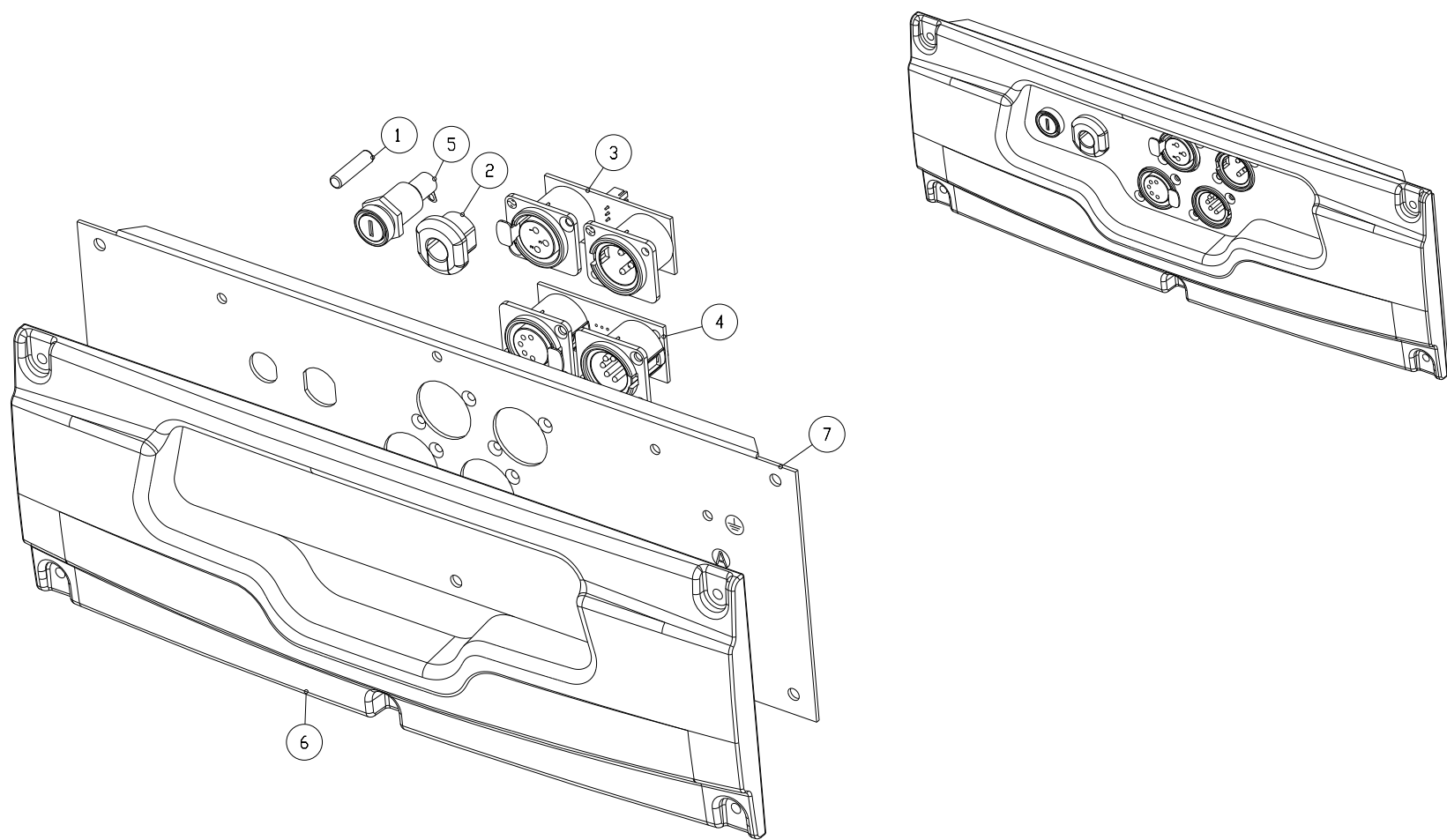
PRODUCT		PHW-280			
PIC. NO.		13-005-01-01-02			
EDIT		FILE NO.	HY-EXP-681A	PAGE NO.	6/30
CHECK		VERSION	NR	DATE	2010.04.14
APPROVE		ECN NO.		DATE	



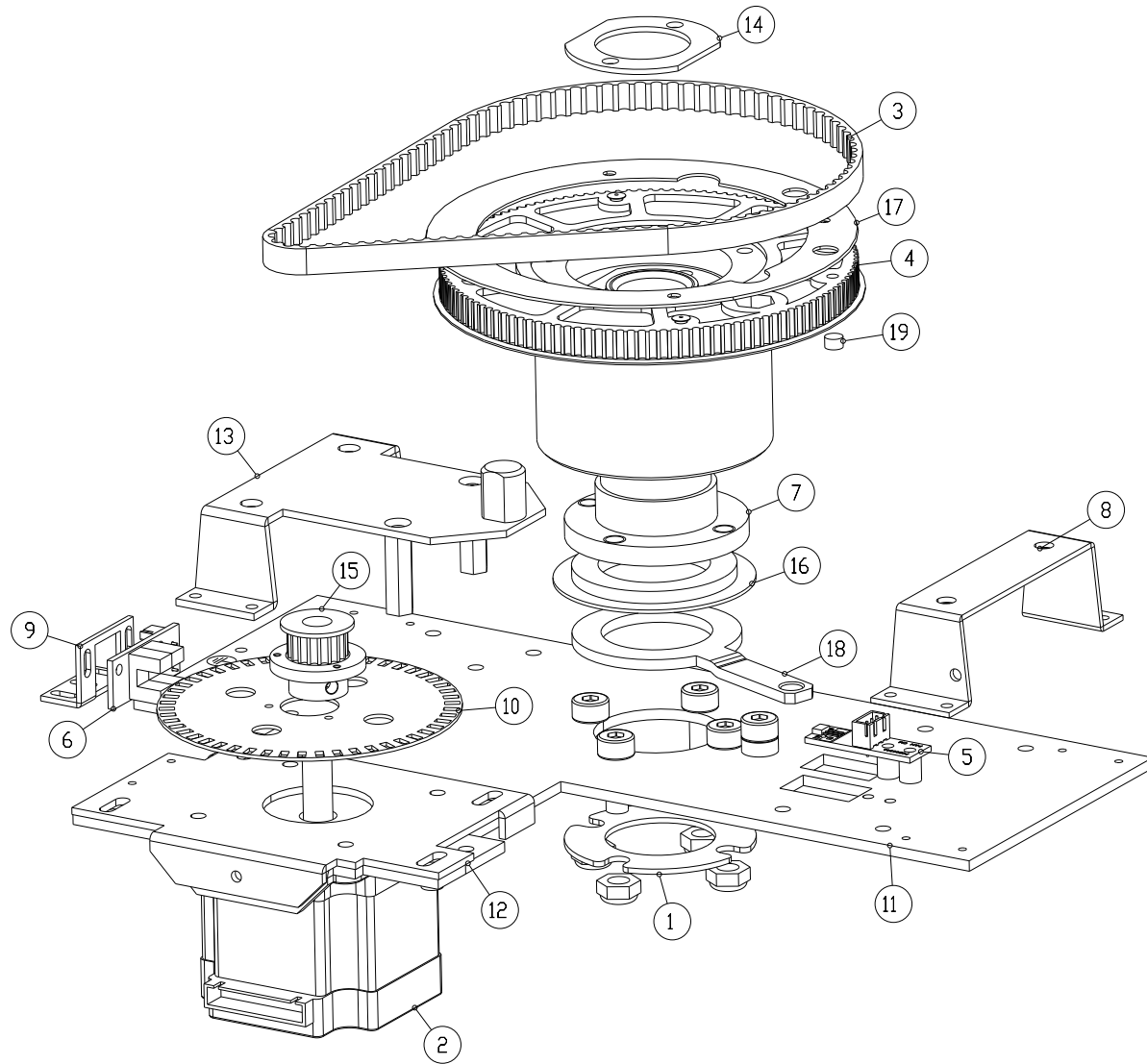
PRODUCT		PHW-280			
PIC. NO.		13-0073-01-01-03			
EDIT		FILE NO.	HY-EXP-681A	PAGE NO.	7/30
CHECK		VERSION	NR	DATE	2010.04.14
APPROVE		ECN NO.		DATE	



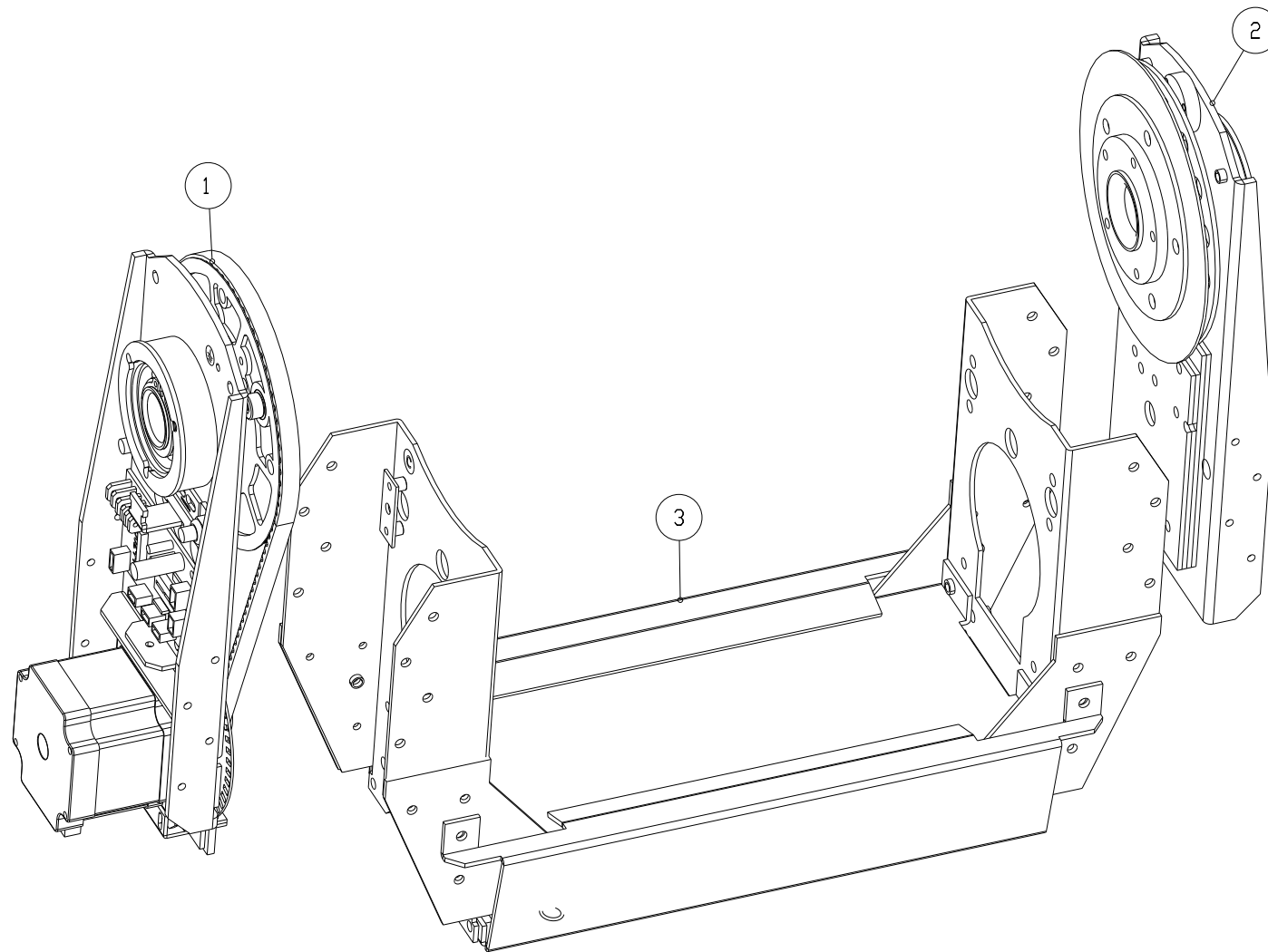
PRODUCT		PHW-280			
PIC. NO.		13-0073-01-02-00			
EDIT		FILE NO.	HY-EXP-681A	PAGE NO.	8/30
CHECK		VERSION	NR	DATE	2010.04.14
APPROVE		ECN NO.		DATE	



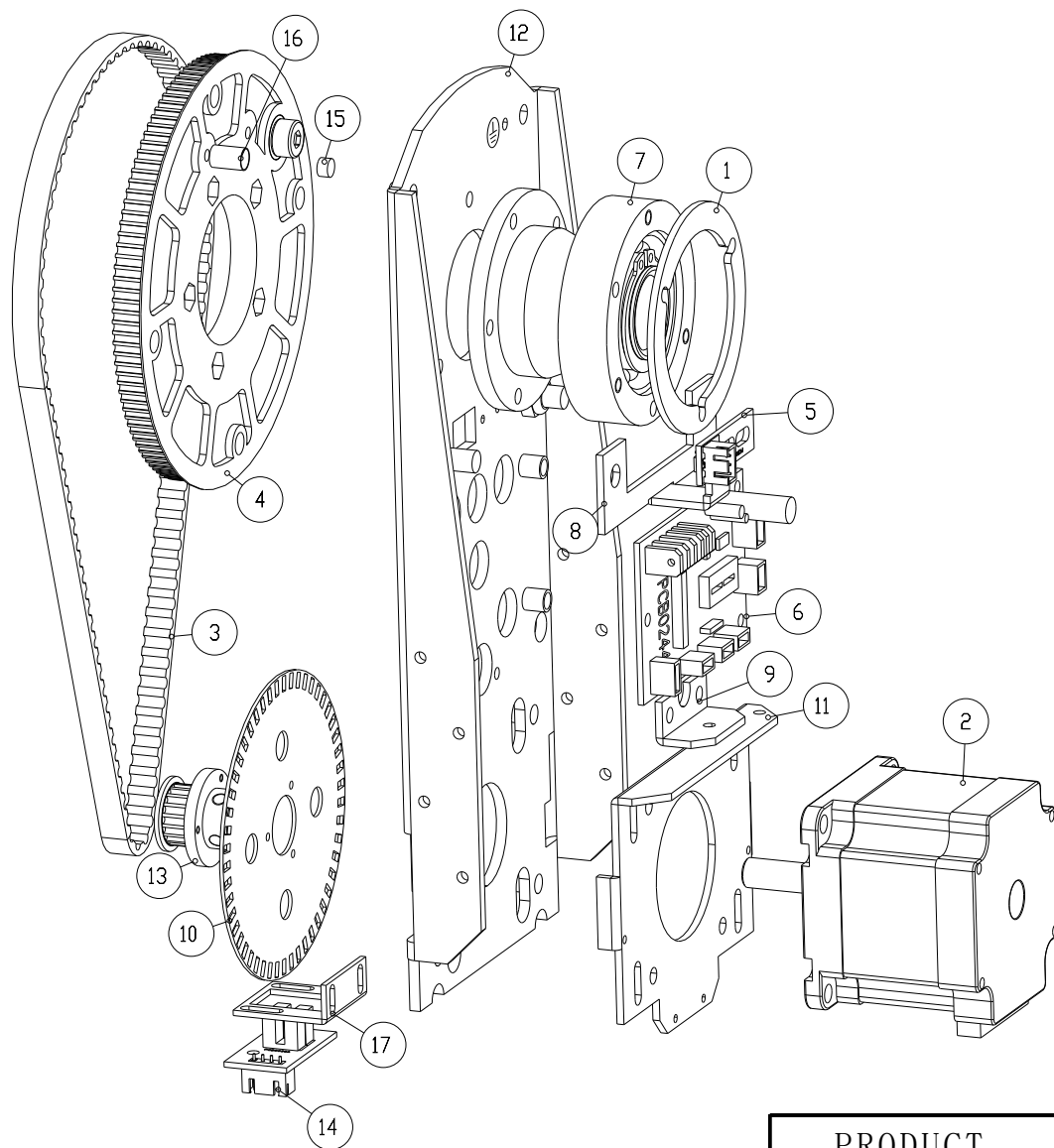
PRODUCT		PHW-280			
PIC. NO.		13-0073-01-03-00			
EDIT		FILE NO.	HY-EXP-681A	PAGE NO.	9/30
CHECK		VERSION	NR	DATE	2010.04.14
APPROVE		ECN NO.		DATE	



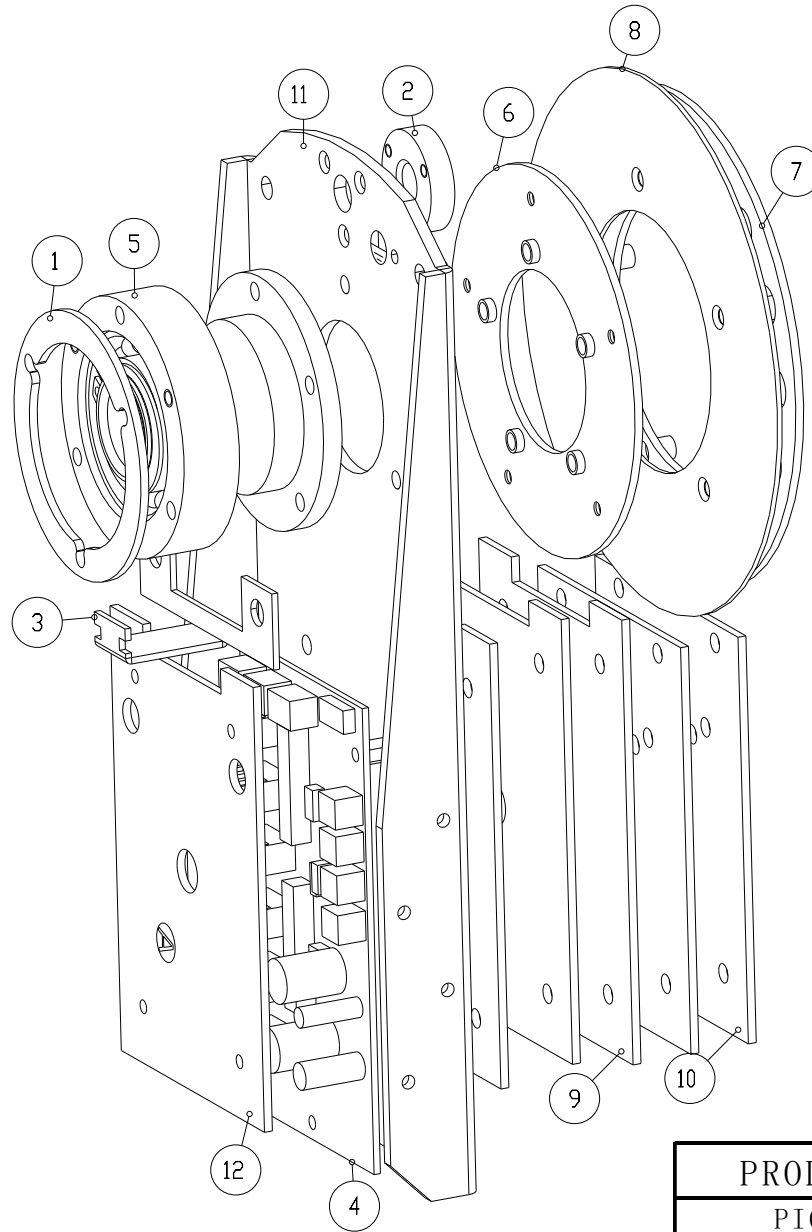
PRODUCT		PHW-280			
PIC. NO.		13-0073-02-00-00			
EDIT		FILE NO.	HY-EXP-681A	PAGE NO.	10/30
CHECK		VERSION	NR	DATE	2010.04.14
APPROVE		ECN NO.		DATE	



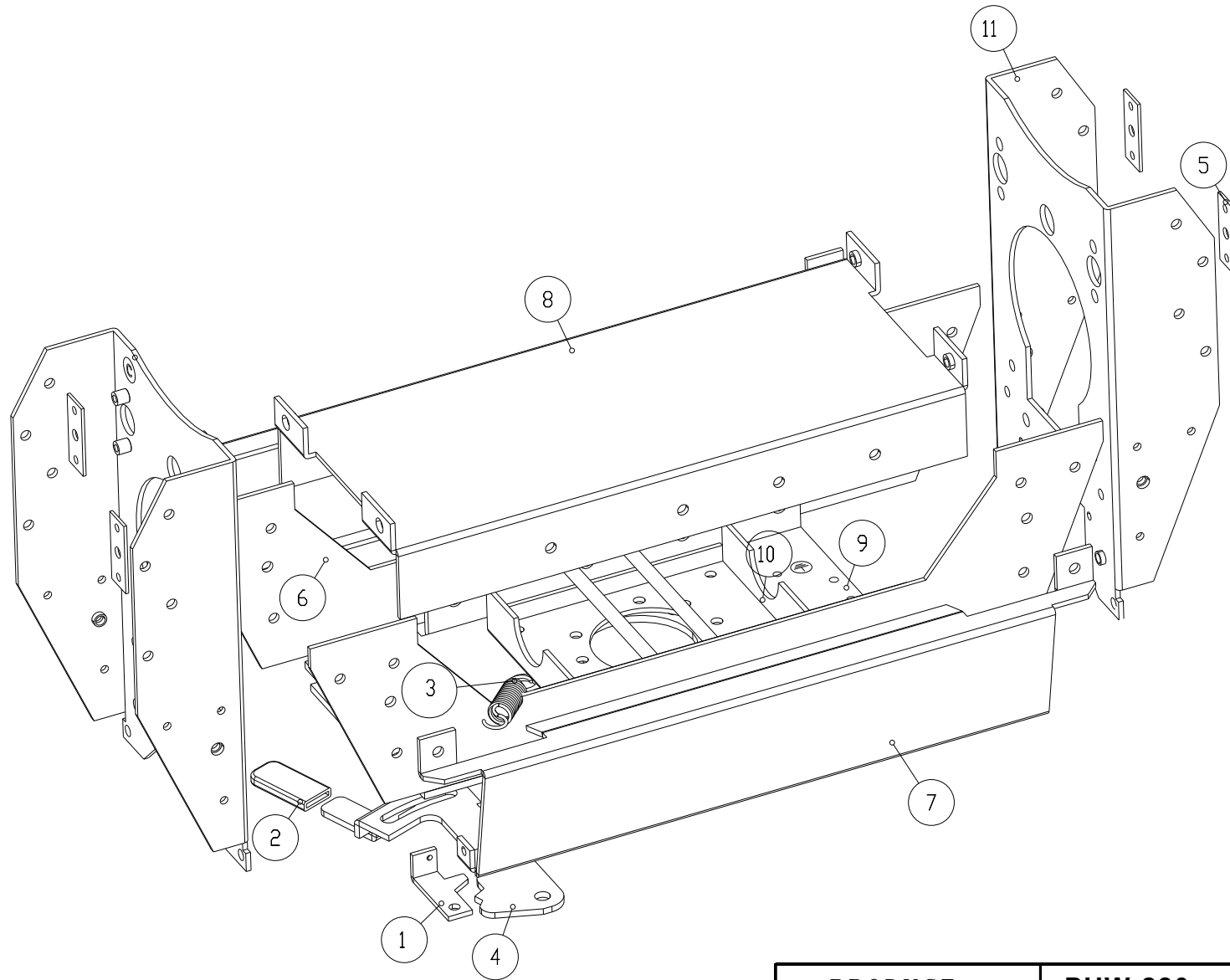
PRODUCT		PHW-280			
PIC. NO.		13-0074-03-00-00			
EDIT		FILE NO.	HY-EXP-681A	PAGE NO.	11/30
CHECK		VERSION	NR	DATE	2010.04.14
APPROVE		ECN NO.		DATE	



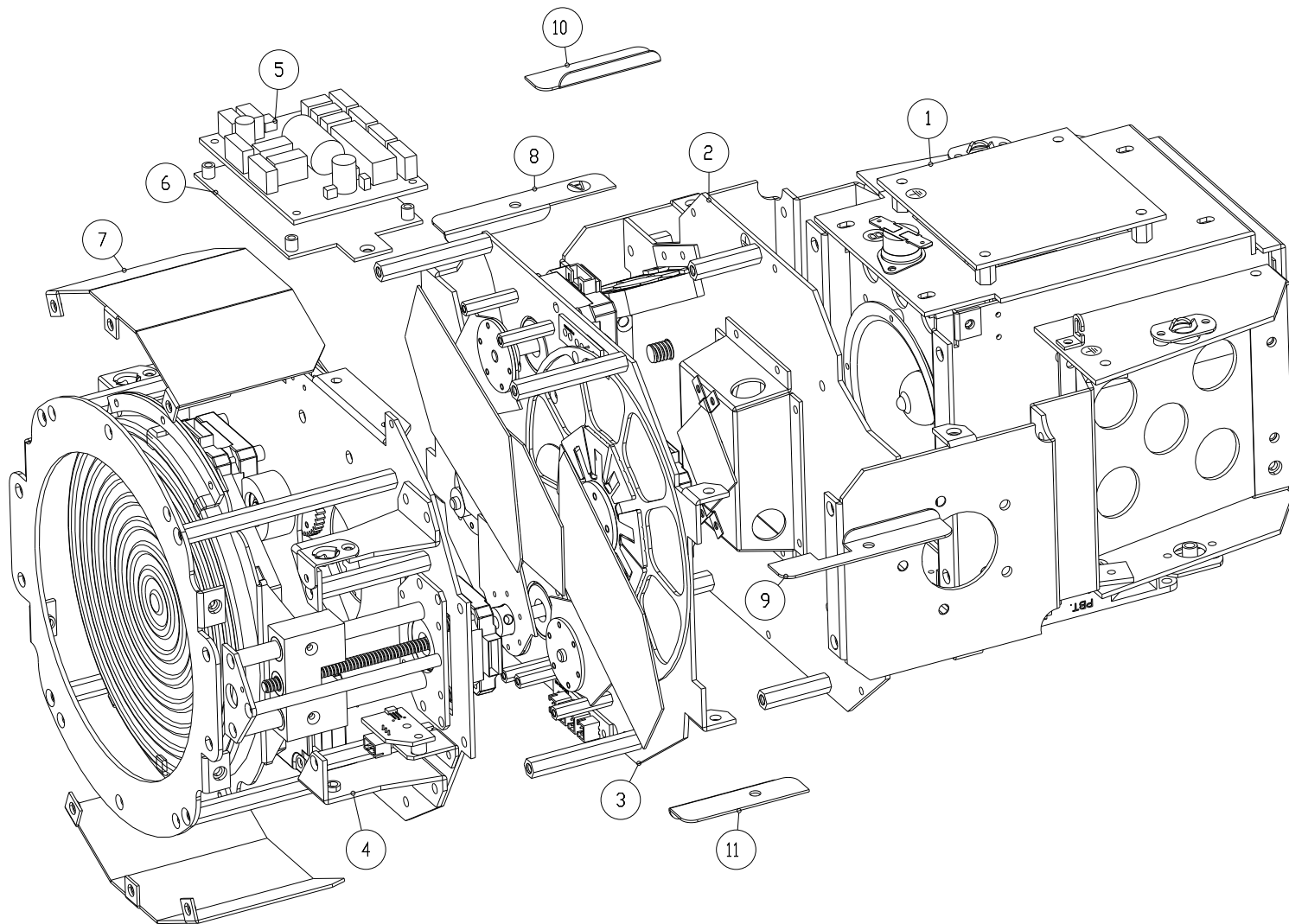
PRODUCT		PHW-280			
PIC. NO.		13-0073-03-01-00			
EDIT		FILE NO.	HY-EXP-681A	PAGE NO.	12/30
CHECK		VERSION	NR	DATE	2010.04.14
APPROVE		ECN NO.		DATE	



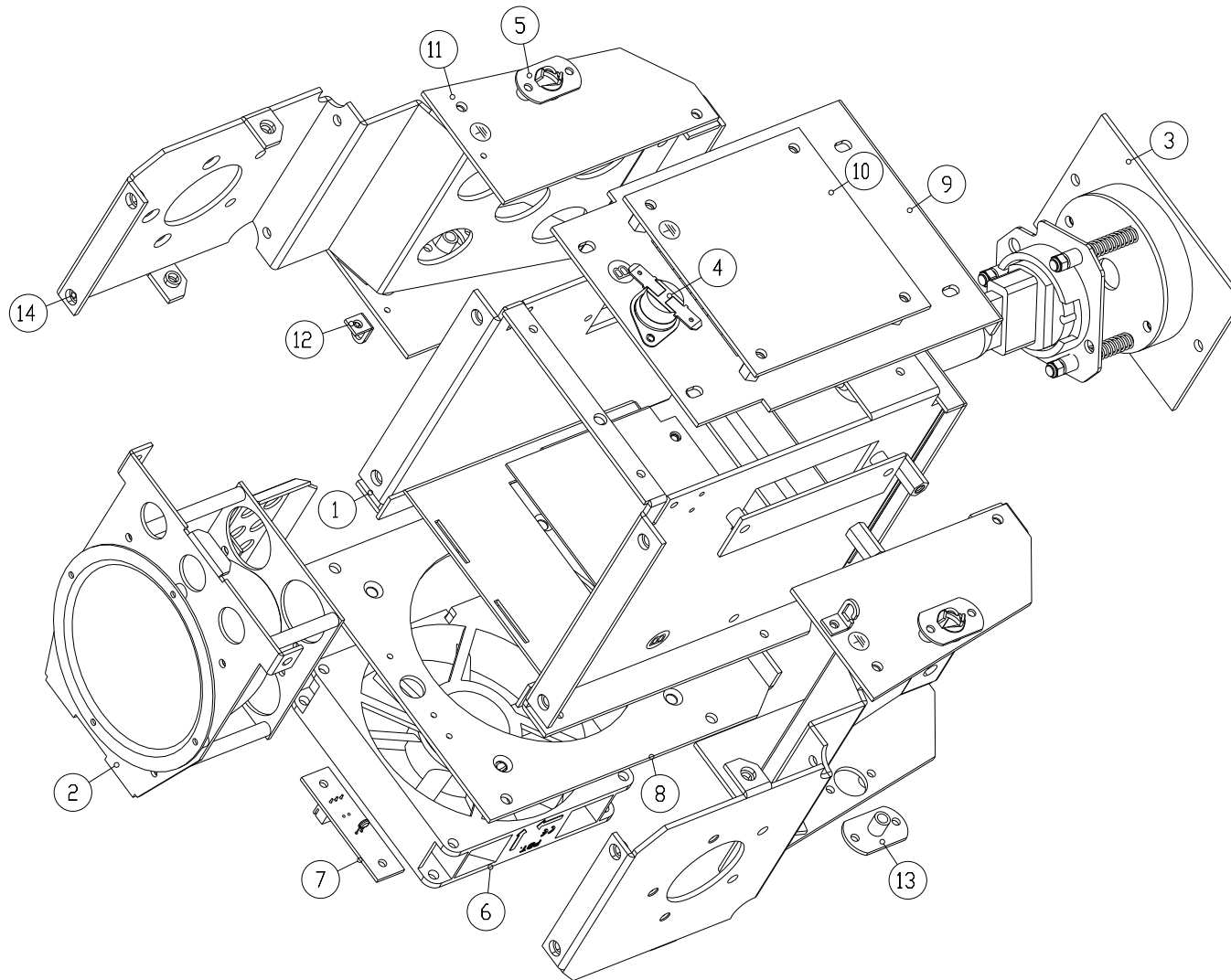
PRODUCT		PHW-280			
PIC. NO.		13-0074-03-02-00			
EDIT		FILE NO.	HY-EXP-681A	PAGE NO.	13/30
CHECK		VERSION	NR	DATE	2010.04.14
APPROVE		ECN NO.		DATE	



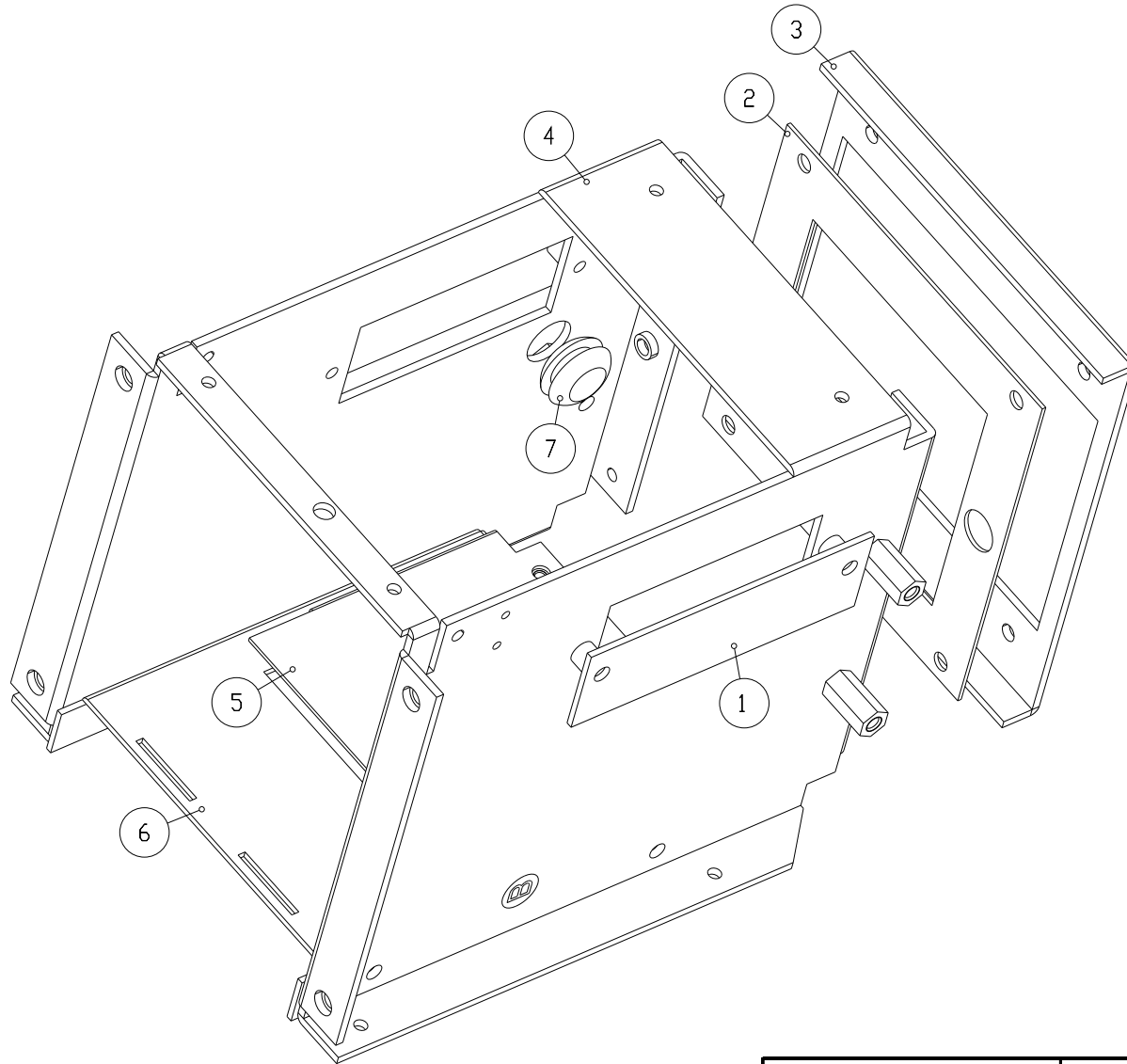
PRODUCT		PHW-280			
PIC. NO.		13-0073-03-03-00			
EDIT		FILE NO.	HY-EXP-681A	PAGE NO.	14/30
CHECK		VERSION	NR	DATE	2010.04.14
APPROVE		ECN NO.		DATE	



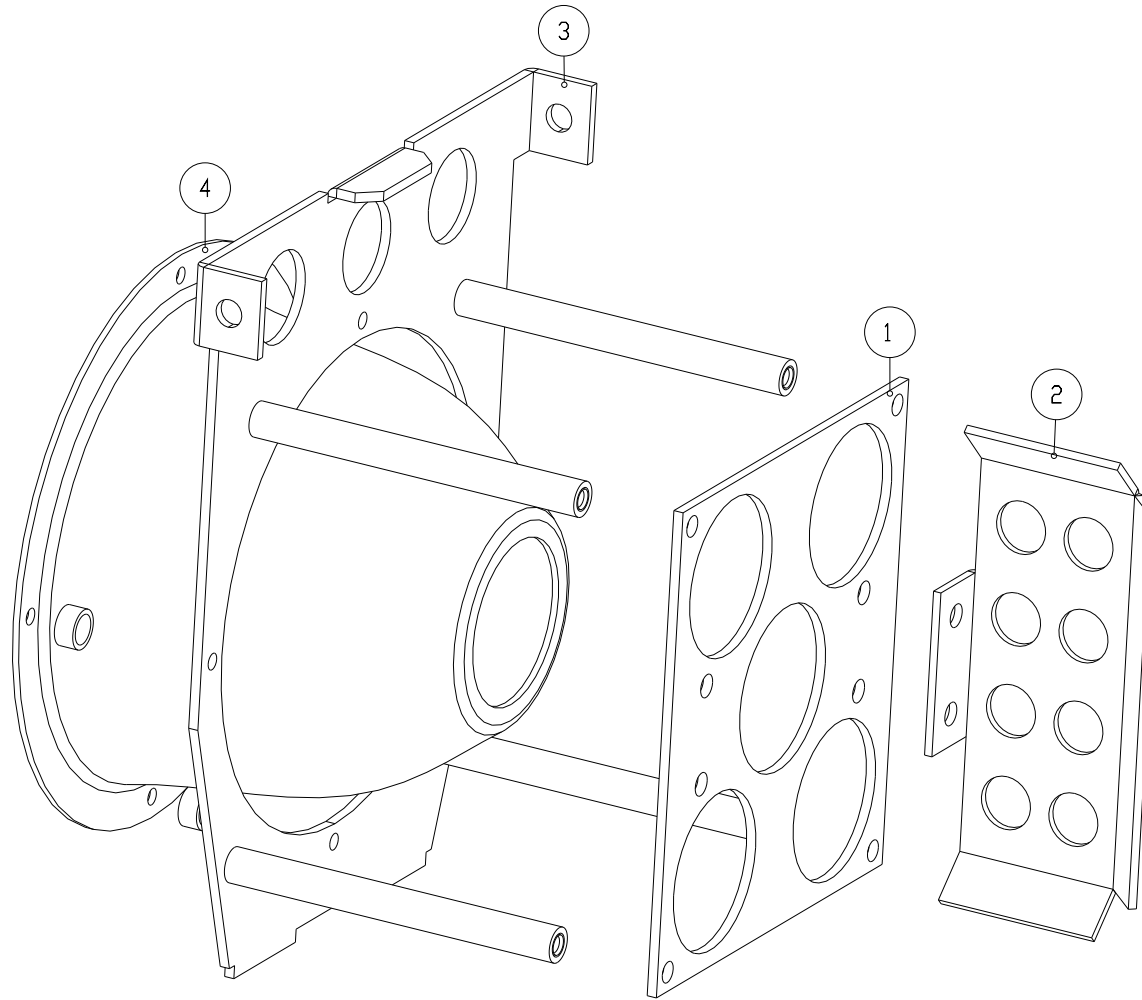
PRODUCT		PHW-280			
PIC. NO.		13-0074-04-00-00			
EDIT		FILE NO.	HY-EXP-681A	PAGE NO.	15/30
CHECK		VERSION	NR	DATE	2010.04.14
APPROVE		ECN NO.		DATE	



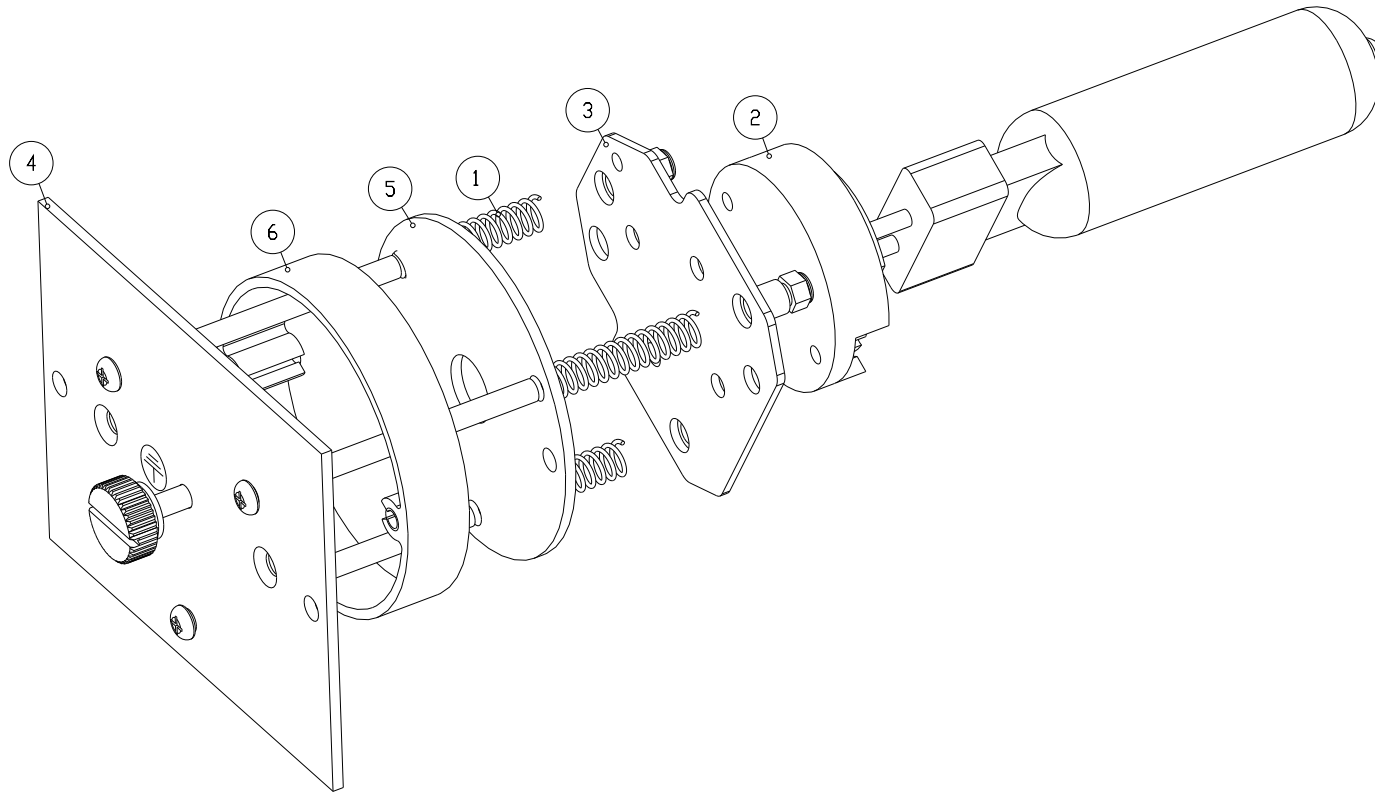
PRODUCT		PHW-280			
PIC. NO.		13-0074-04-01-00			
EDIT		FILE NO.	HY-EXP-681A	PAGE NO.	16/30
CHECK		VERSION	NR	DATE	2010.04.14
APPROVE		ECN NO.		DATE	



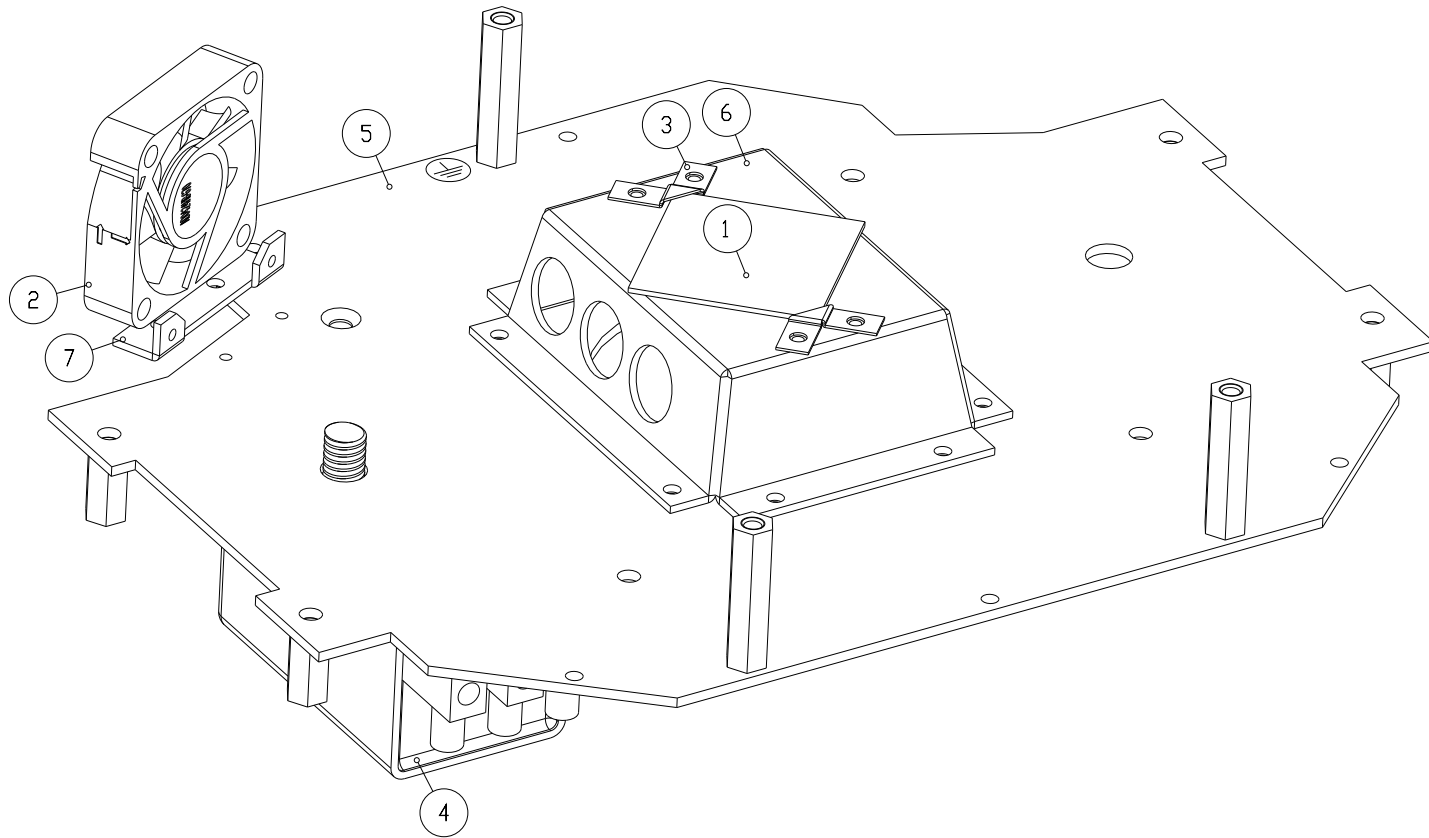
PRODUCT		PHW-280			
PIC. NO.		13-0005-04-01-01			
EDIT		FILE NO.	HY-EXP-681A	PAGE NO.	17/30
CHECK		VERSION	NR	DATE	2010.04.14
APPROVE		ECN NO.		DATE	



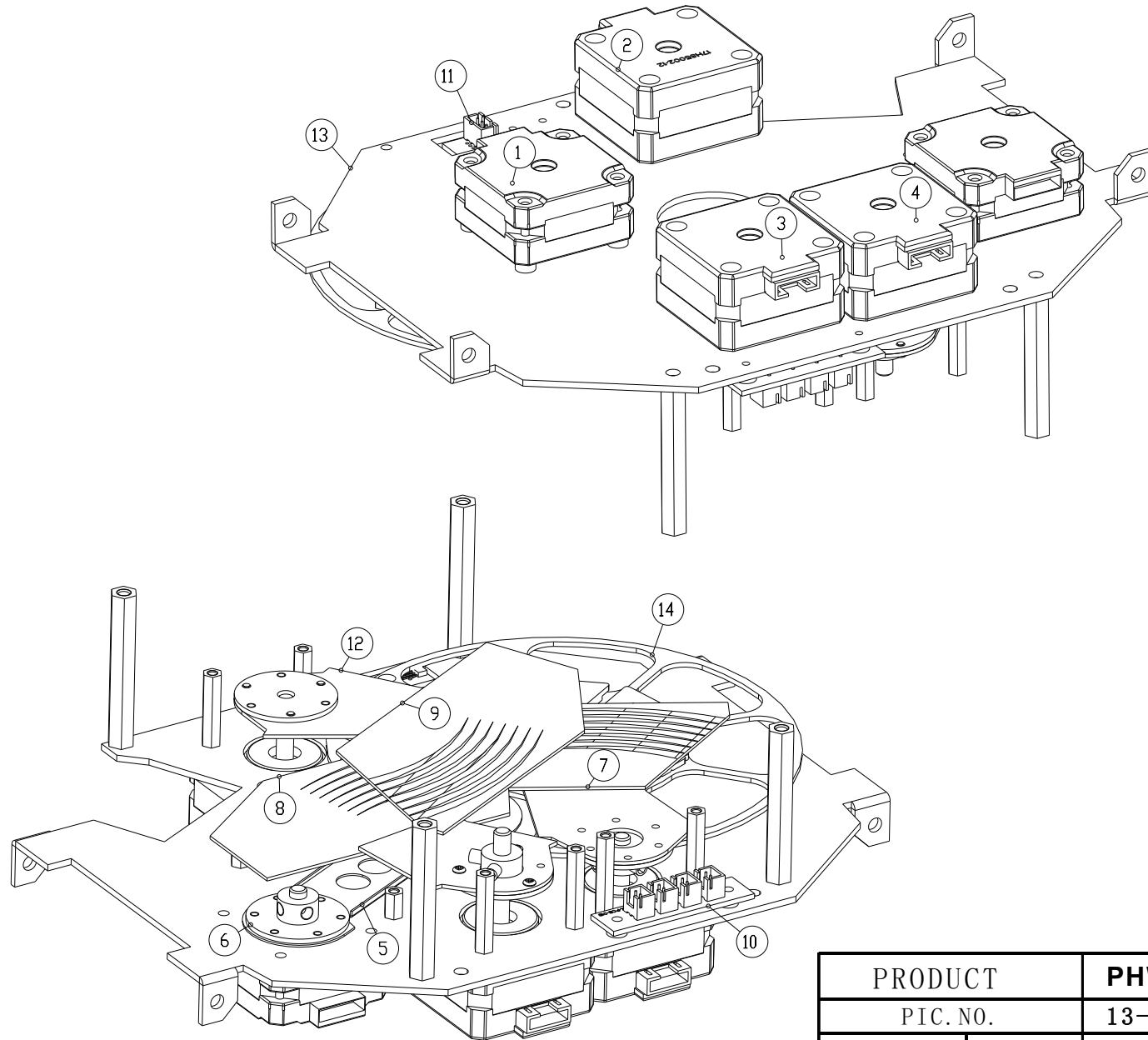
PRODUCT		PHW-280			
PIC. NO.		10-0023-04-01-02			
EDIT		FILE NO.	HY-EXP-681A	PAGE NO.	18/30
CHECK		VERSION	NR	DATE	2010.04.14
APPROVE		ECN NO.		DATE	



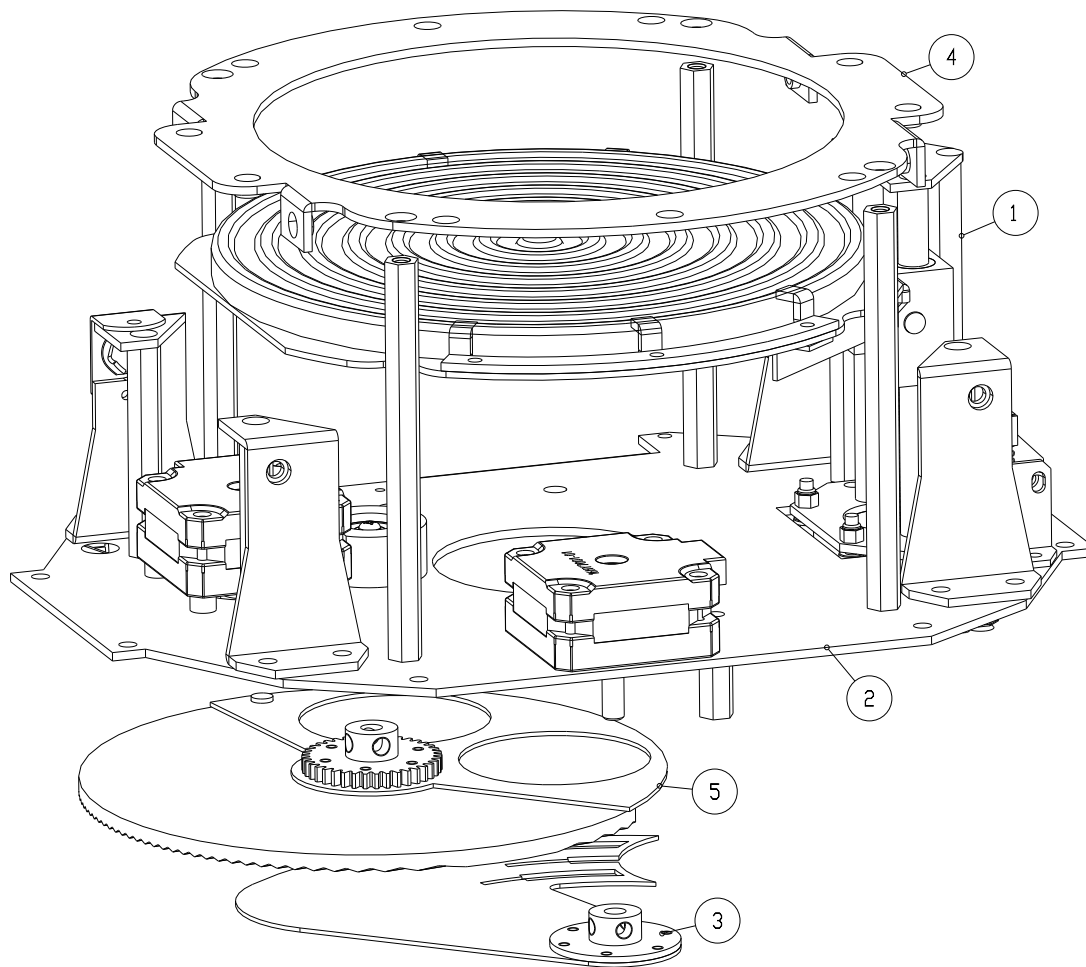
PRODUCT		PHW-280			
PIC. NO.		10-0023-04-01-03			
EDIT		FILE NO.	HY-EXP-681A	PAGE NO.	19/30
CHECK		VERSION	NR	DATE	2010.04.14
APPROVE		ECN NO.		DATE	



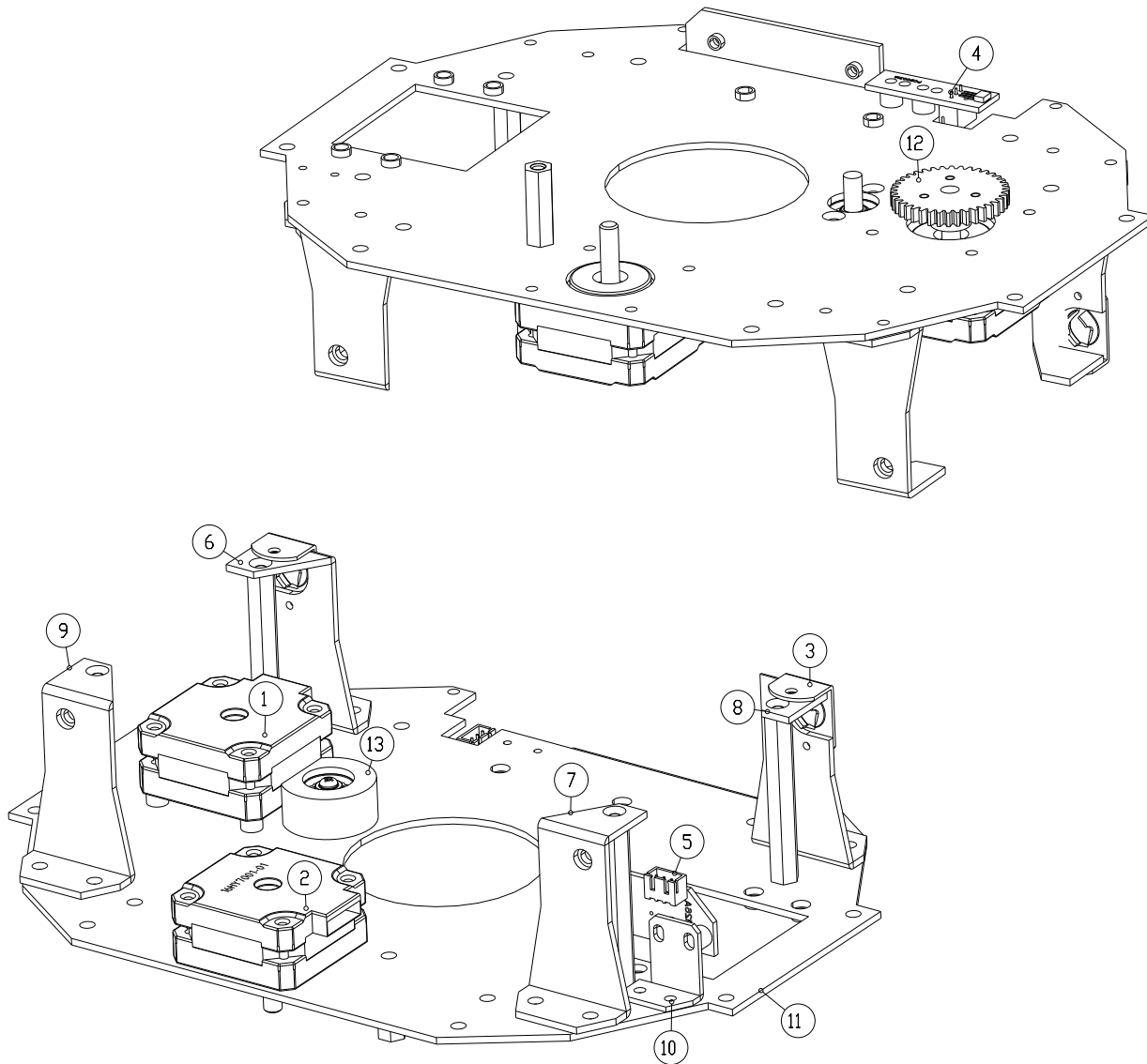
PRODUCT		PHW-280			
PIC. NO.		13-0074-04-02-00			
EDIT		FILE NO.	HY-EXP-681A	PAGE NO.	20/30
CHECK		VERSION	NR	DATE	2010.04.14
APPROVE		ECN NO.		DATE	



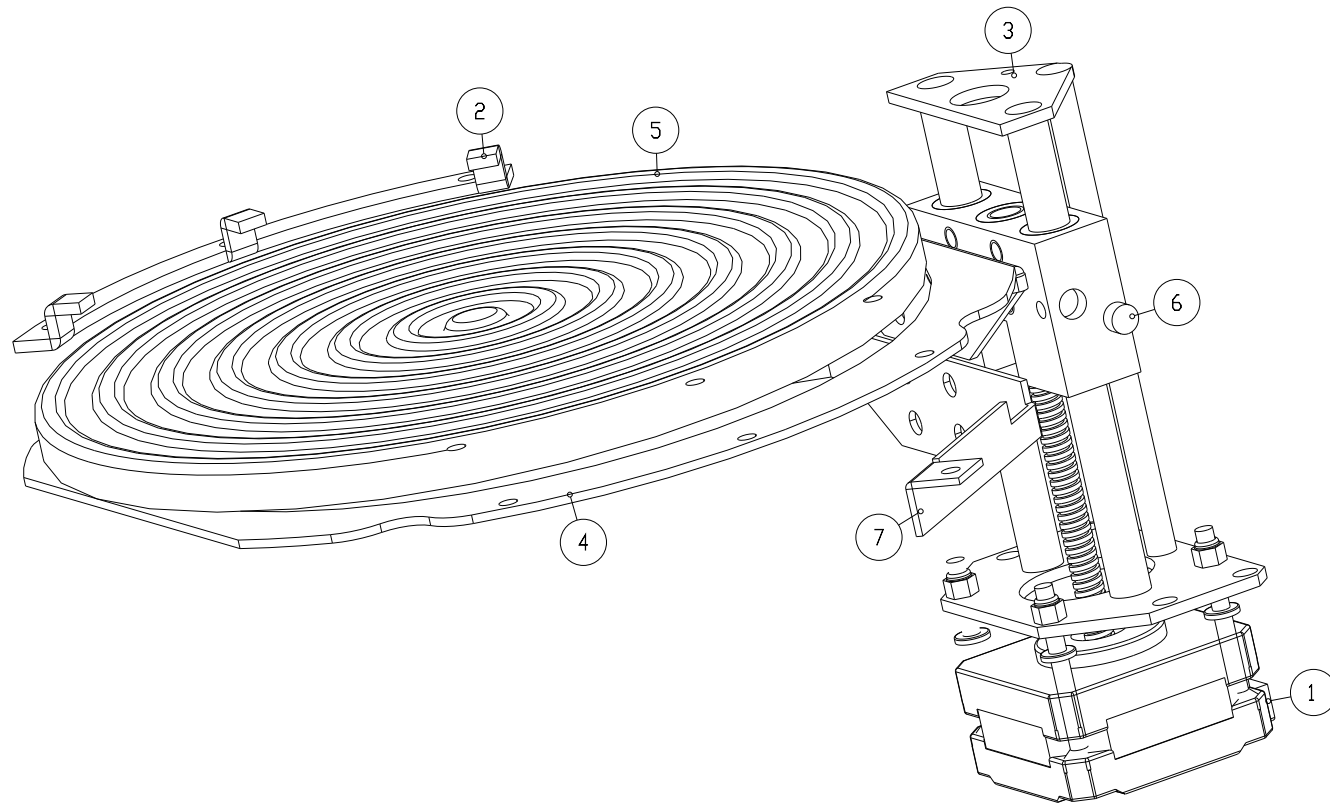
PRODUCT		PHW-280			
PIC. NO.		13-0074-04-03-00			
EDIT		FILE NO.	HY-EXP-681A	PAGE NO.	21/30
CHECK		VERSION	NR	DATE	2010.04.14
APPROVE		ECN NO.		DATE	



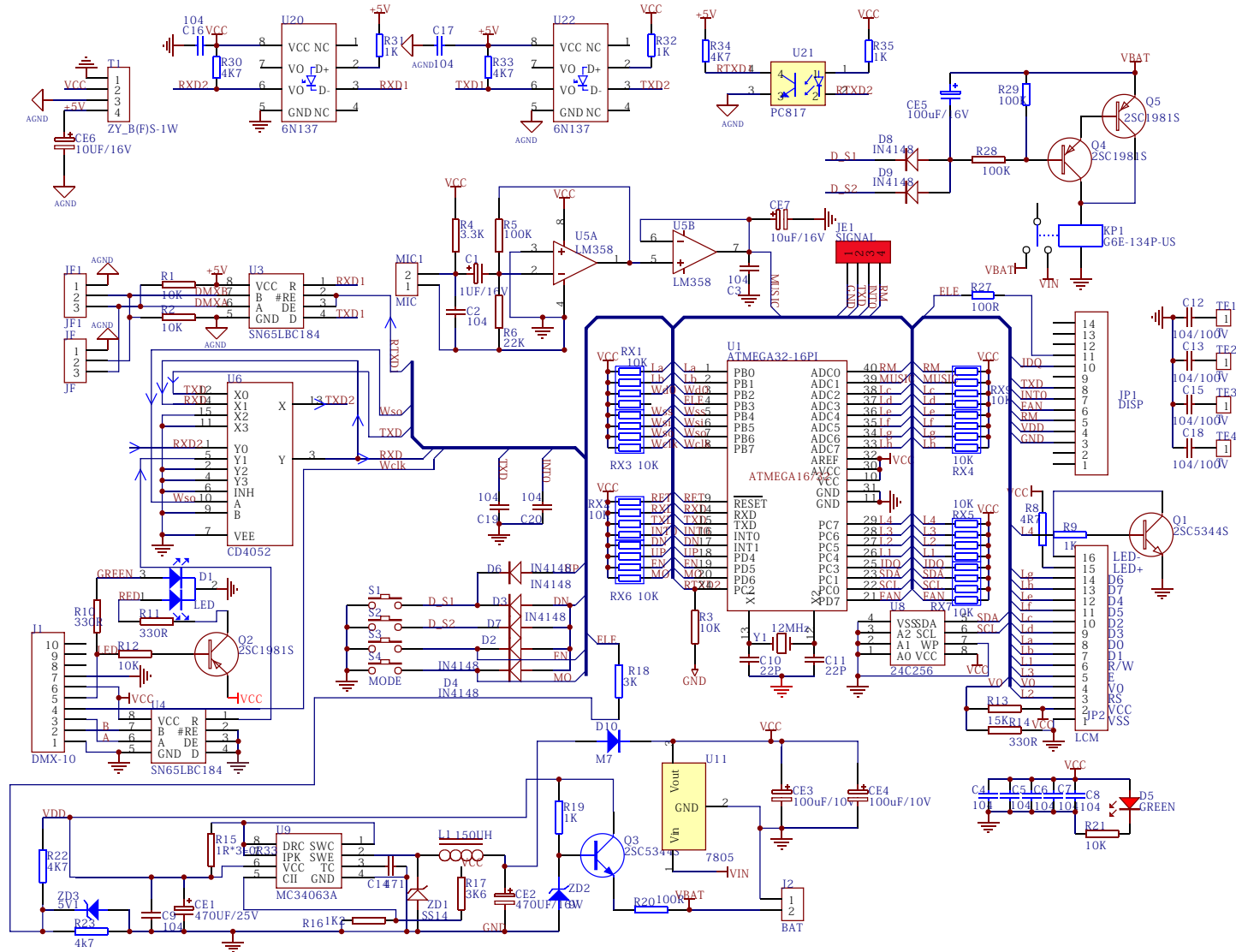
PRODUCT		PHW-280			
PIC. NO.		13-0074-04-04-00			
EDIT		FILE NO.	HY-EXP-681A	PAGE NO.	22/30
CHECK		VERSION	NR	DATE	2010.04.14
APPROVE		ECN NO.		DATE	



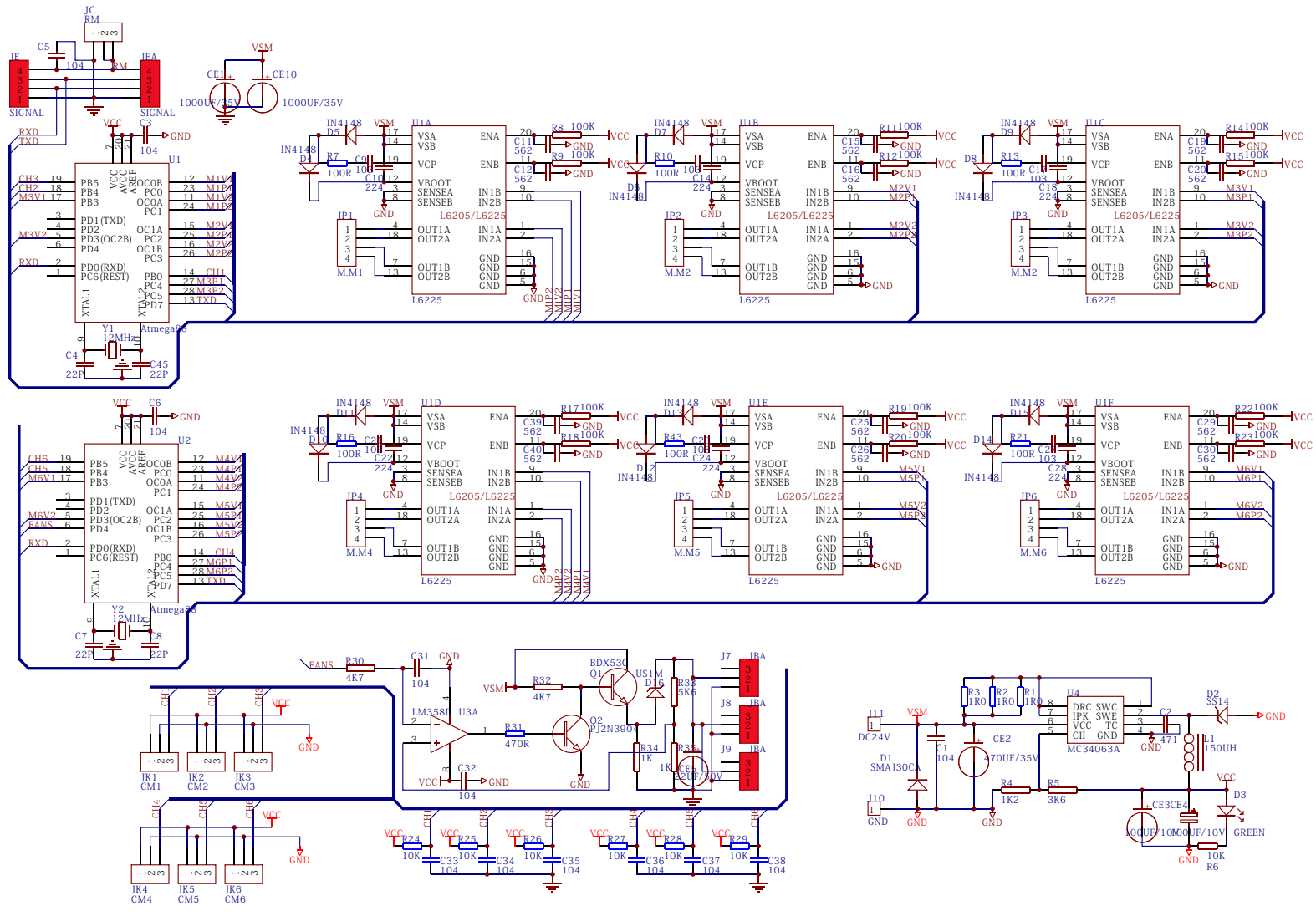
PRODUCT		PHW-280			
PIC. NO.		13-0074-04-04-01			
EDIT		FILE NO.	HY-EXP-681A	PAGE NO.	23/30
CHECK		VERSION	NR	DATE	2010.04.14
APPROVE		ECN NO.		DATE	



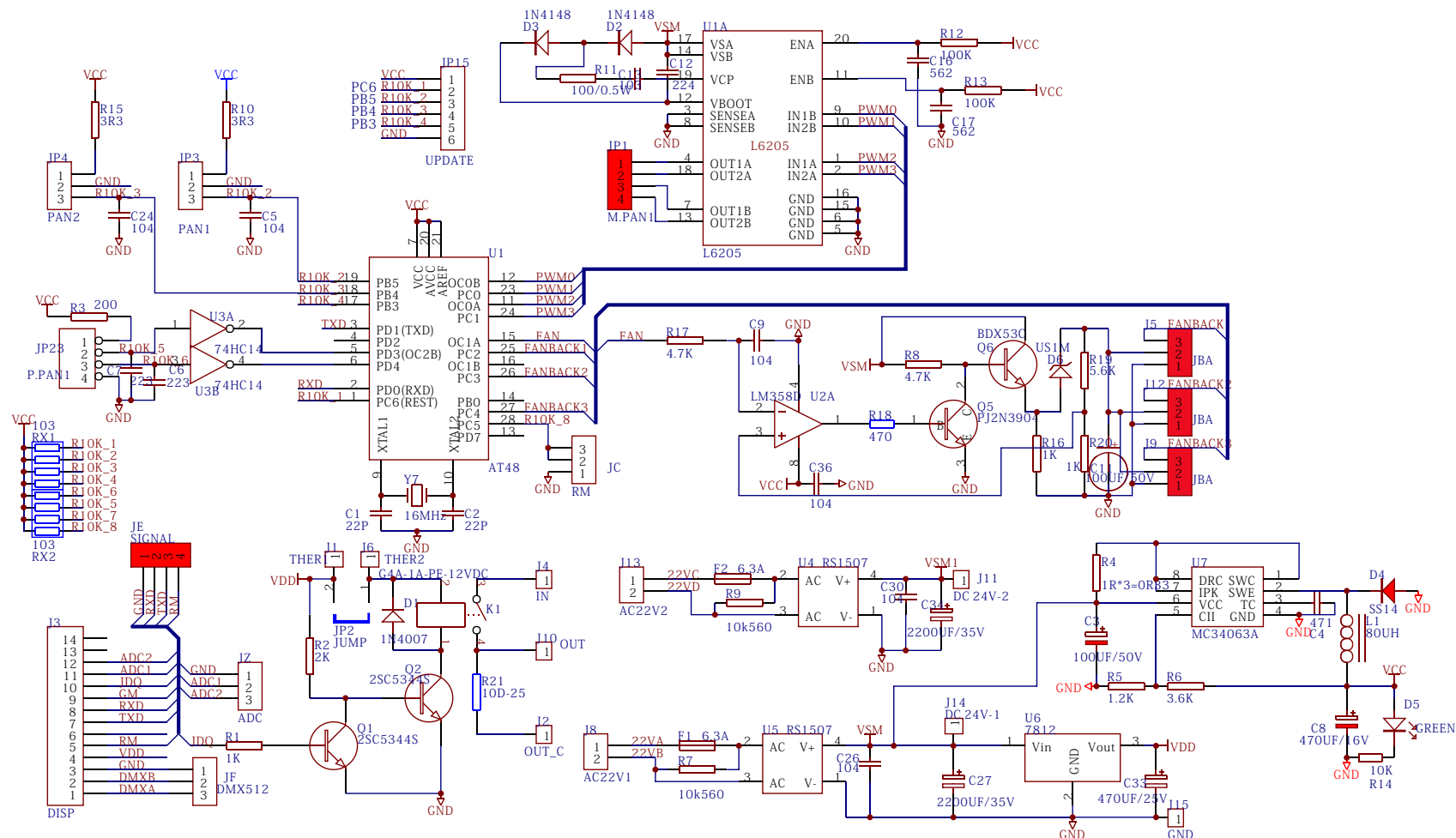
PRODUCT		PHW-280			
PIC. NO.		13-0005-04-04-02			
EDIT		FILE NO.	HY-EXP-681A	PAGE NO.	24/30
CHECK		VERSION	NR	DATE	2010.04.14
APPROVE		ECN NO.		DATE	



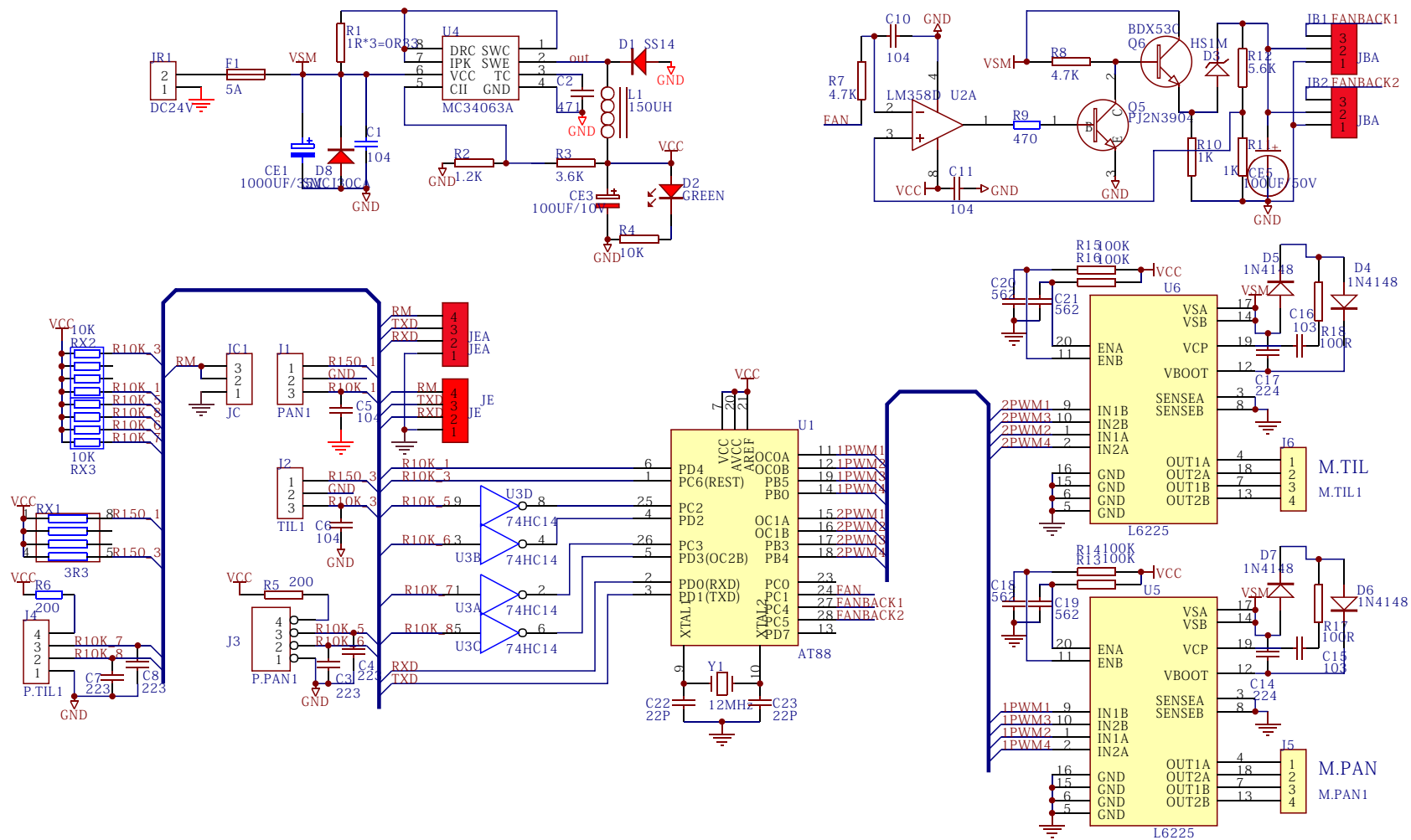
PRODUCT		PHW-280			
PIC. NO.		PCB0341E SCHEME			
EDIT		FILE NO.	HY-WIEC-0485-02-1	PAGE NO.	26/30
CHECK		VERSION	NR	DATE	2010.04.14
APPROVE		ECN NO.		DATE	



PRODUCT		PHW-280			
PIC. NO.		PCB0419A SCHEME			
EDIT		FILE NO.	HY-WIEC-0531-03-4	PAGE NO.	28/30
CHECK		VERSION	NR	DATE	2010.04.14
APPROVE		ECN NO.		DATE	



PRODUCT		PHW-280			
PIC. NO.		PCB0250D SCHEME			
EDIT		FILE NO.	HY-WIEC-0490-01-1	PAGE NO.	29/30
CHECK		VERSION	NR	DATE	2010.04.14
APPROVE		ECN NO.		DATE	



PRODUCT		PHW-280			
PIC. NO.		PCB0297E SCHEME			
EDIT		FILE NO.	HY-WIEC-0571-01-5	PAGE NO.	30/30
CHECK		VERSION	NR	DATE	2010.04.14
APPROVE		ECN NO.		DATE	