

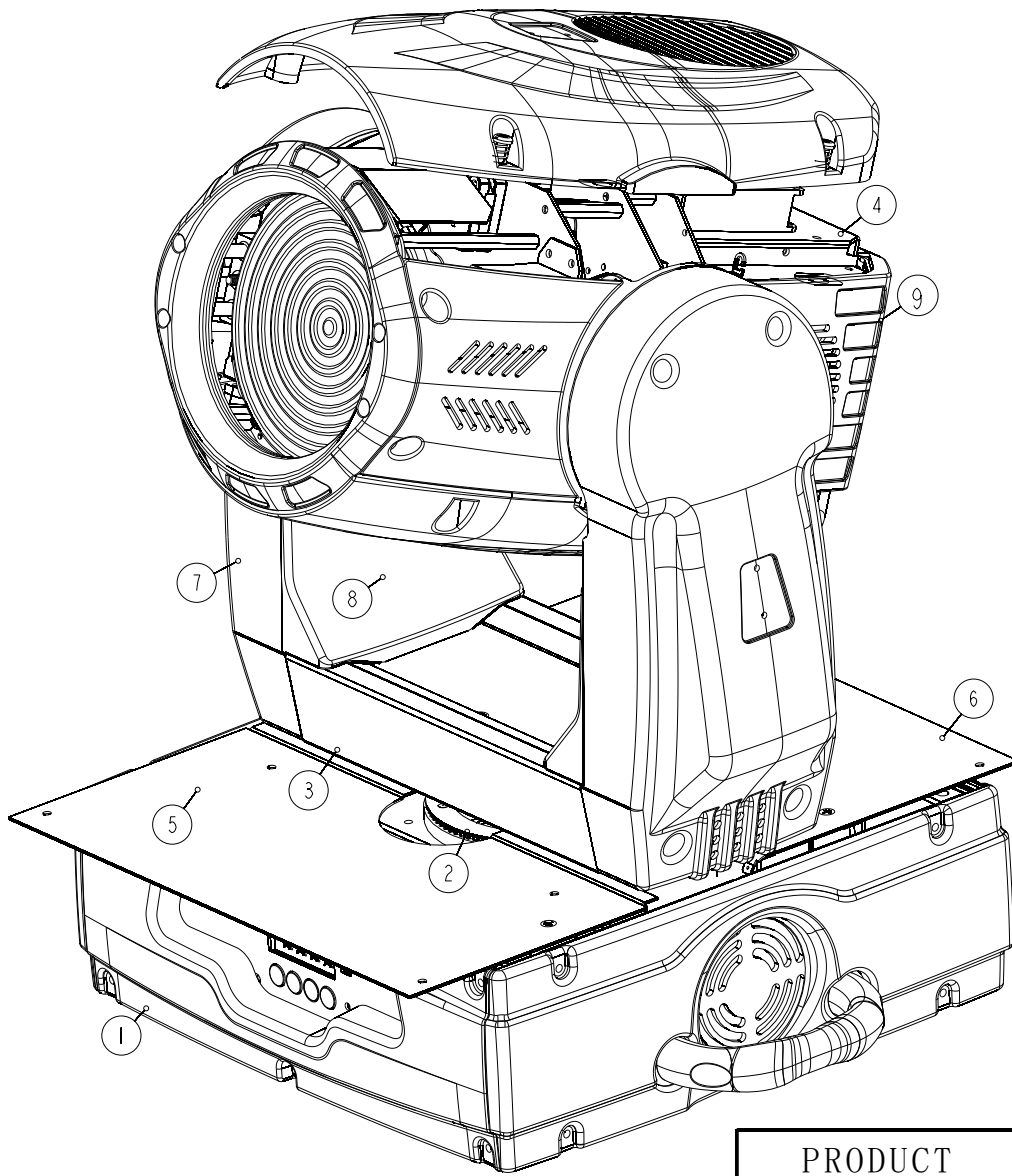
Service manual

PHW-260

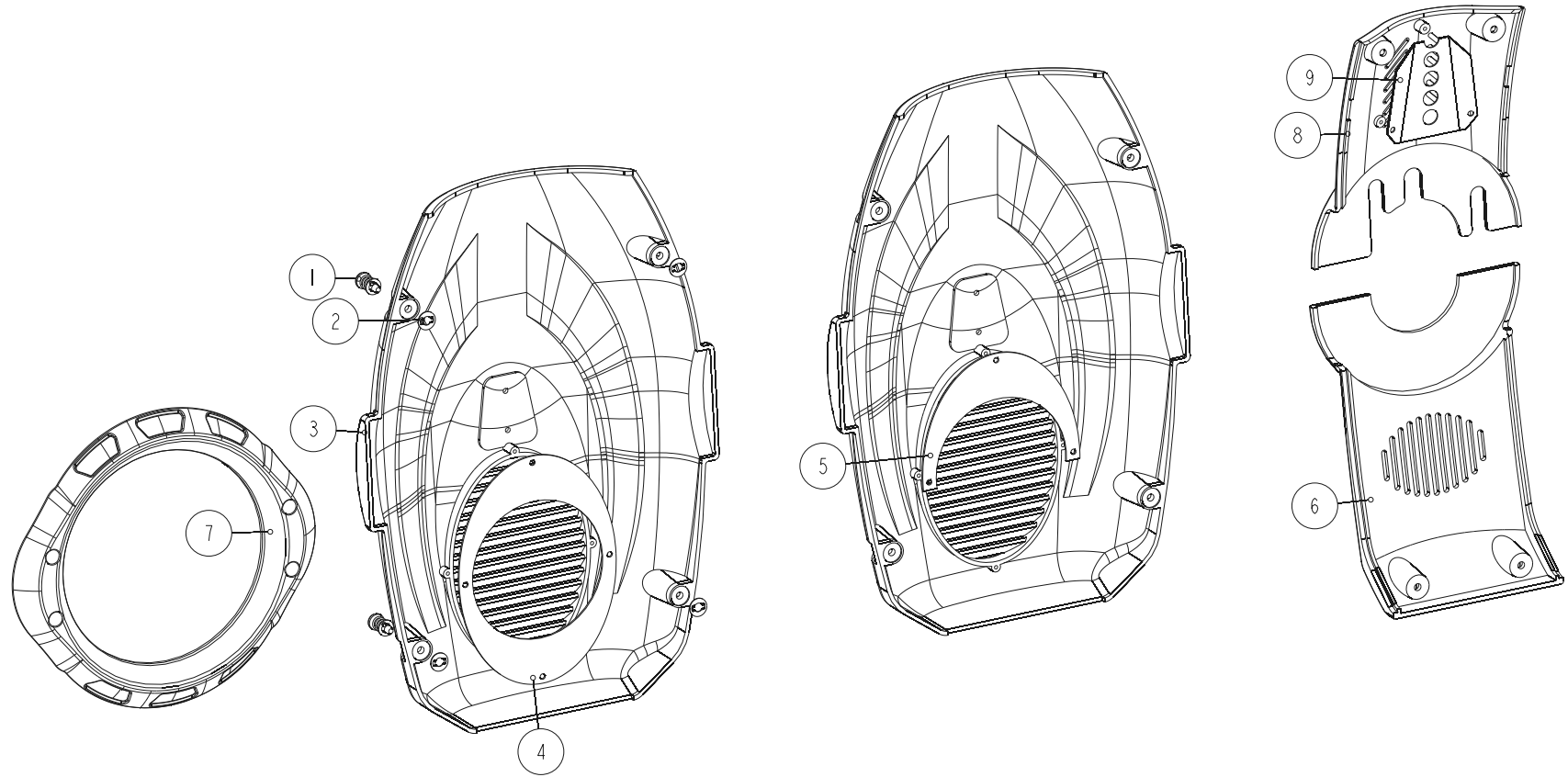
- ※ **Exploded Diagrams**
- ※ **Circuit Diagrams**
- ※ **Wiring Diagrams**
- ※ **Parts List**



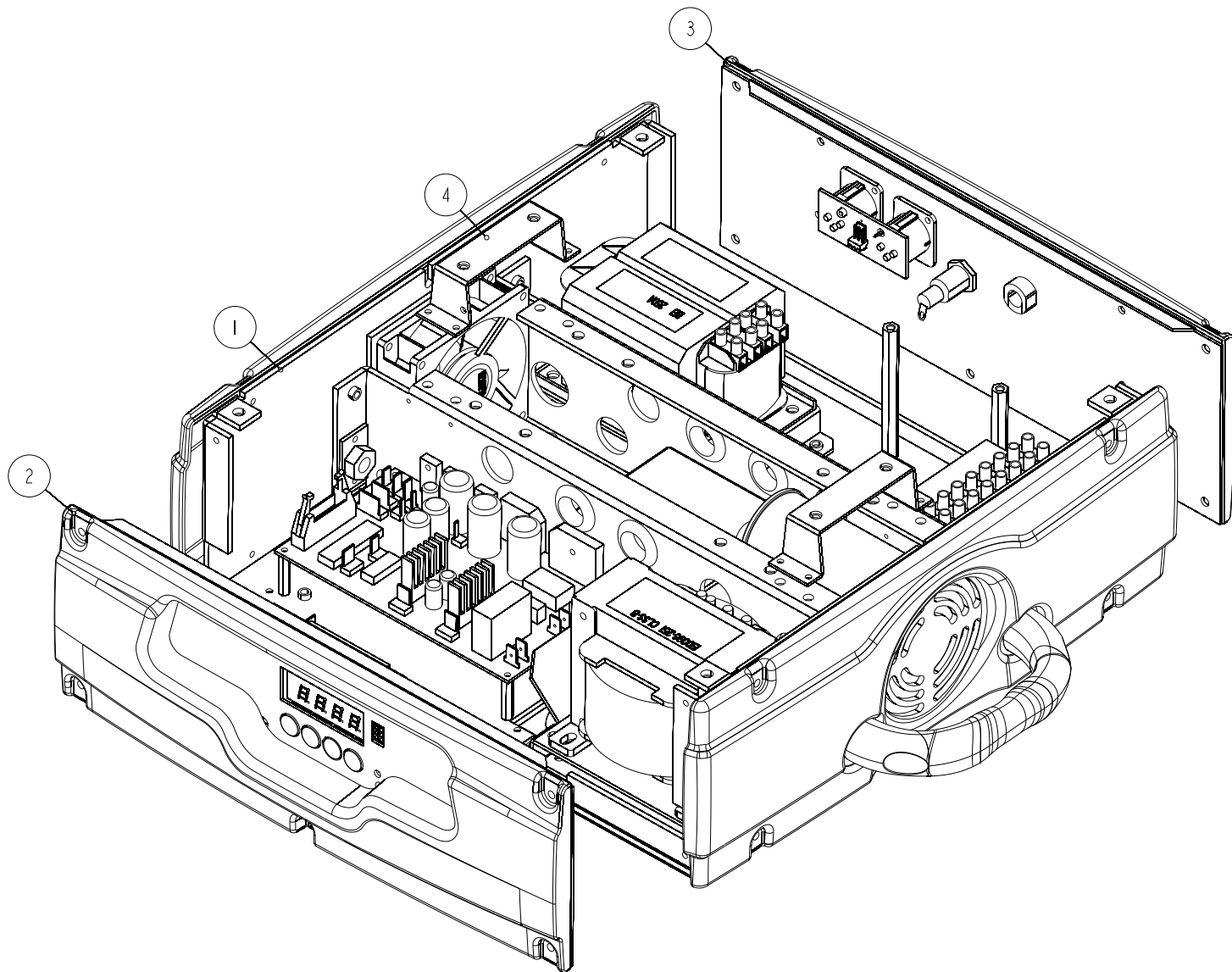
PRODUCT		PHW-260			
PIC. NO.		Front Page			
EDIT		FILE NO.	GS-EXP-032A		
CHECK		VERSION	A	DATE	2007. 12. 13
APPROVE		ECN NO.		DATE	



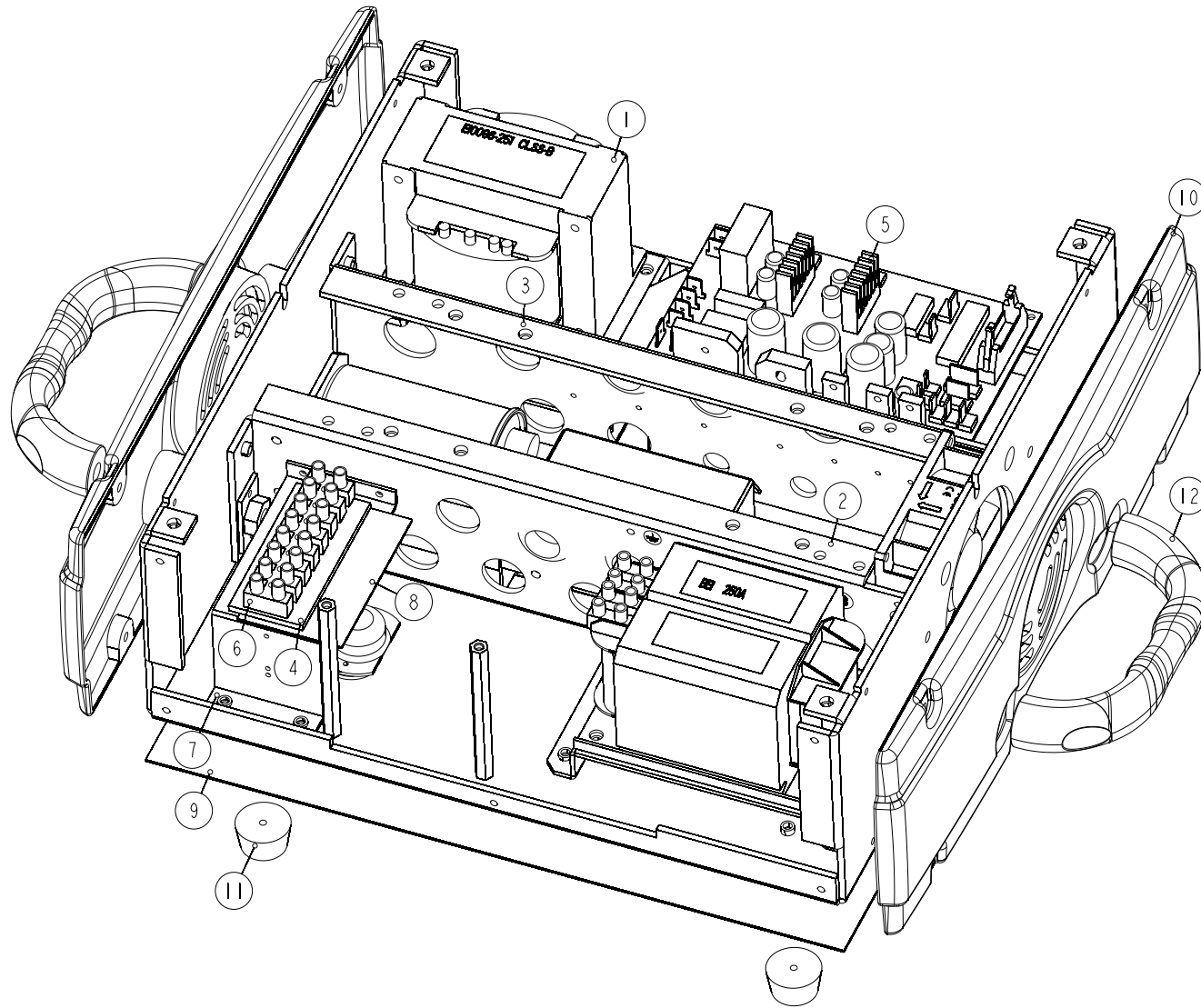
PRODUCT		PHW-260			
PIC. NO.		13-0005-00-00-00			
EDIT		FILE NO.	GS-EXP-032A	PAGE NO.	1/29
CHECK		VERSION	A	DATE	2007. 12. 13
APPROVE		ECN NO.		DATE	



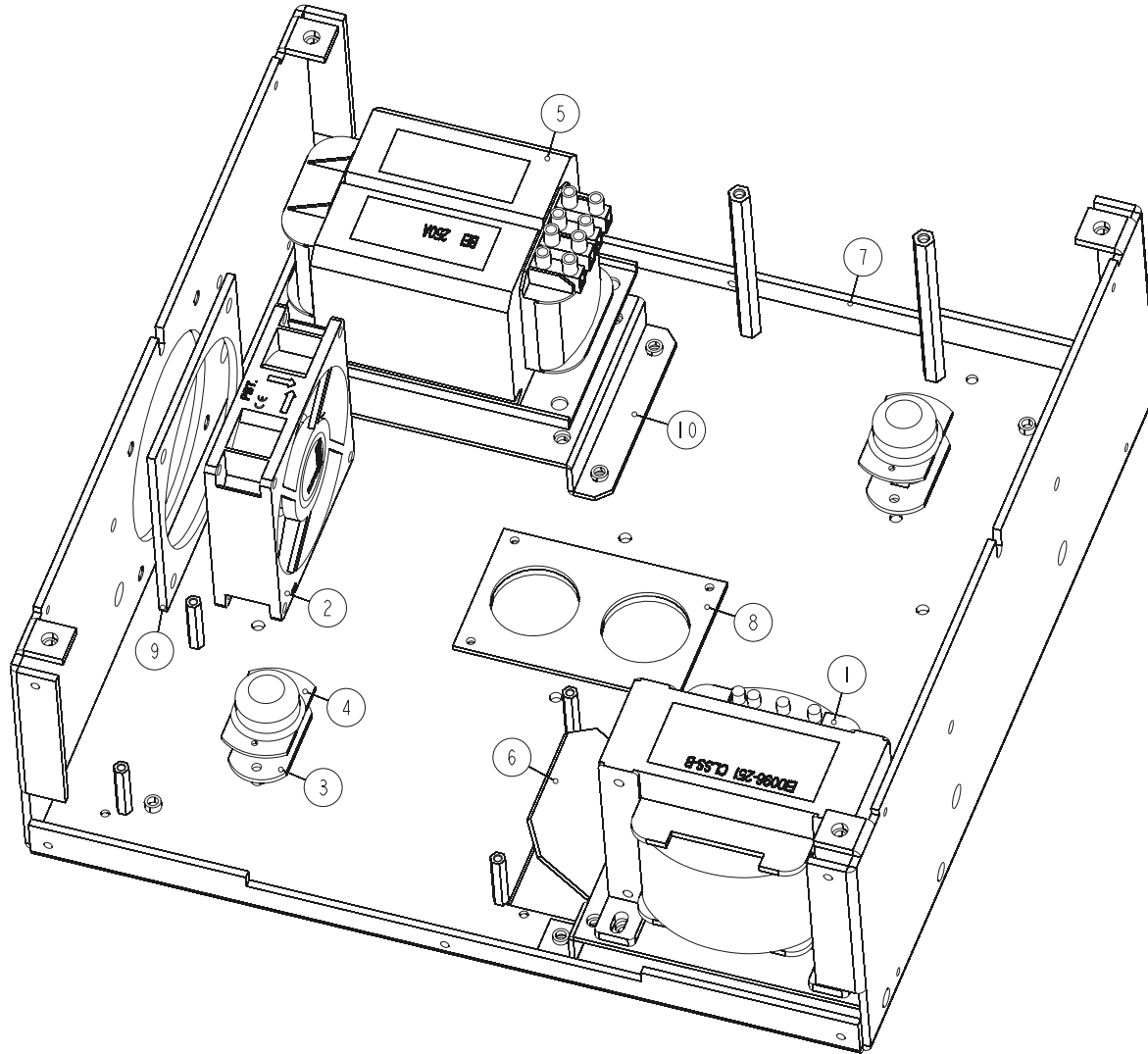
PRODUCT		PHW-260			
PIC. NO.		13-0005-00-00-SJK			
EDIT		FILE NO.	GS-EXP-032A	PAGE NO.	2/29
CHECK		VERSION	A	DATE	2007. 12. 13
APPROVE		ECN NO.		DATE	



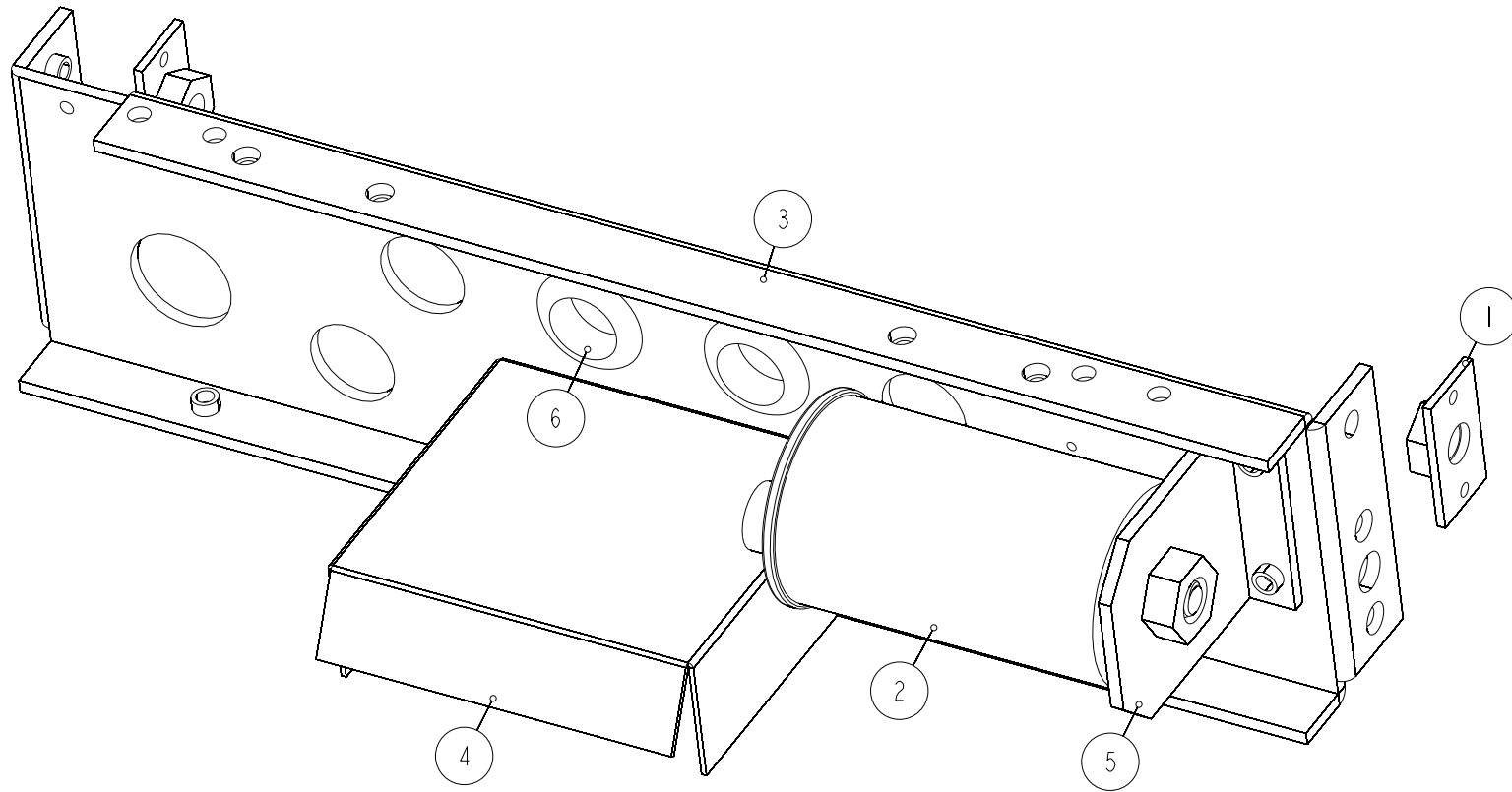
PRODUCT		PHW-260			
PIC. NO.		13-0005-01-00-00			
EDIT		FILE NO.	GS-EXP-032A	PAGE NO.	3/29
CHECK		VERSION	A	DATE	2007. 12. 13
APPROVE		ECN NO.		DATE	



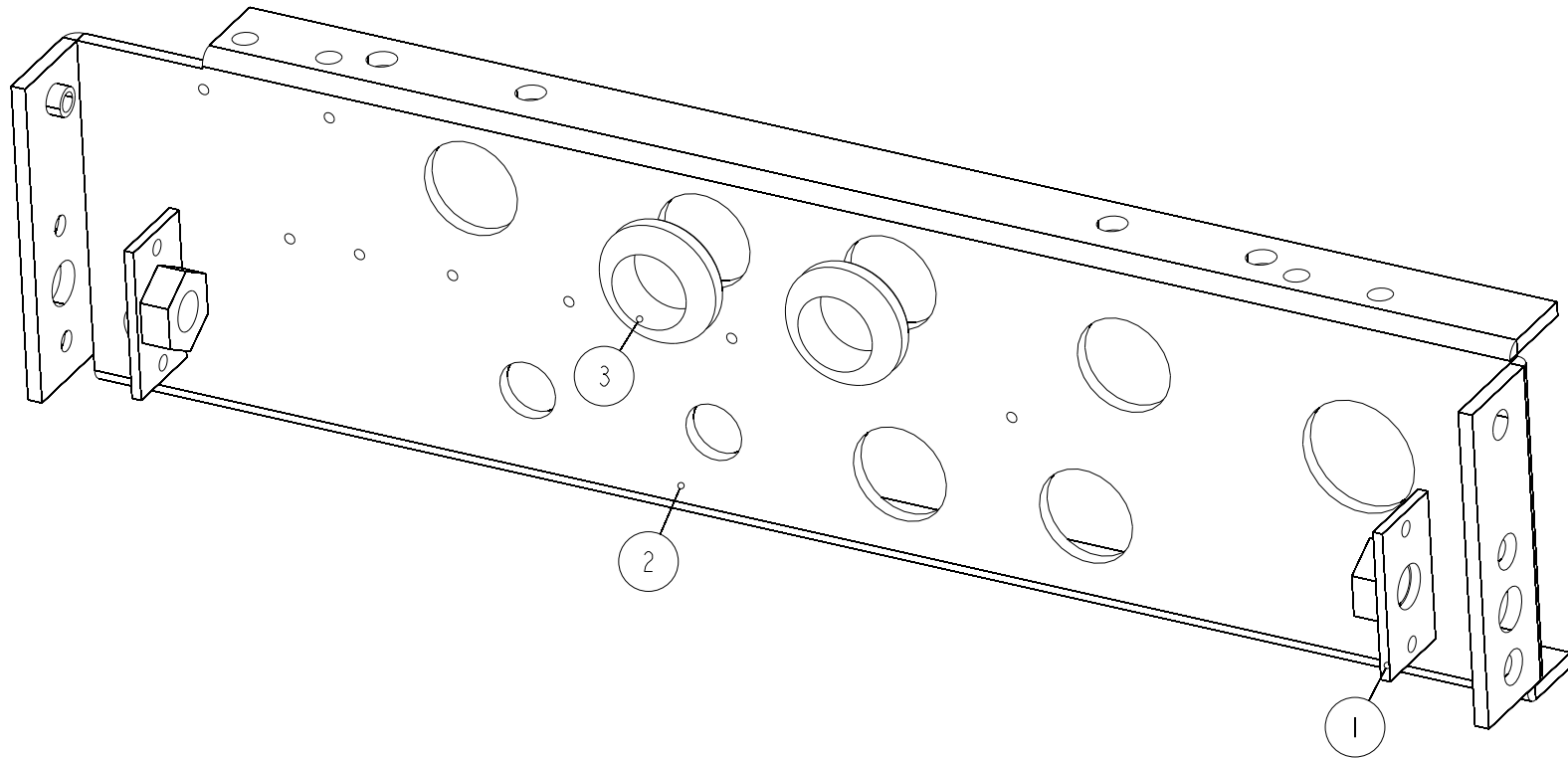
PRODUCT		PHW-260			
PIC. NO.		13-0005-01-01-00			
EDIT		FILE NO.	GS-EXP-032A	PAGE NO.	4/29
CHECK		VERSION	A	DATE	2007. 12. 13
APPROVE		ECN NO.		DATE	



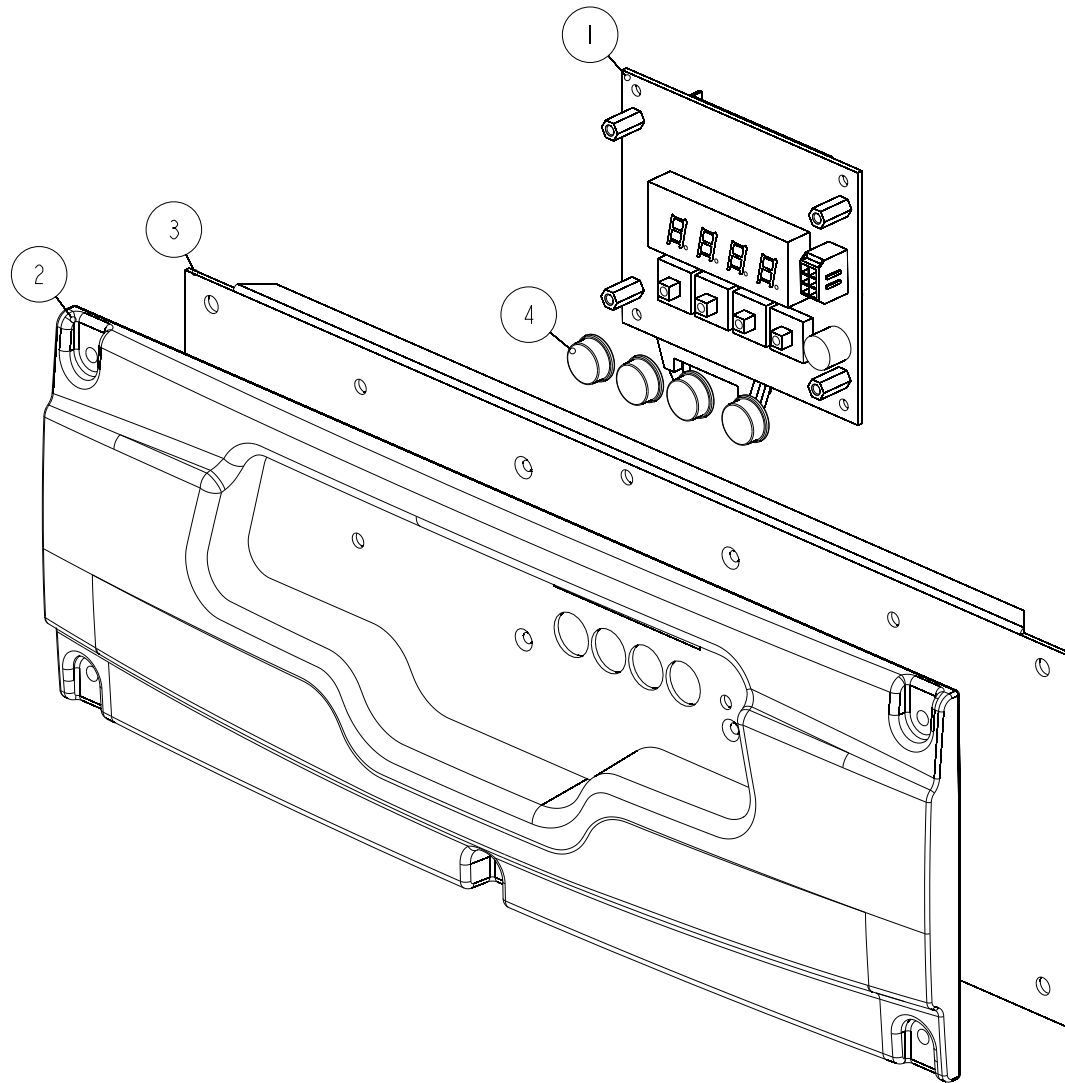
PRODUCT		PHW-260			
PIC. NO.		13-0005-01-01-01			
EDIT		FILE NO.	GS-EXP-032A	PAGE NO.	5/29
CHECK		VERSION	A	DATE	2007. 12. 13
APPROVE		ECN NO.		DATE	



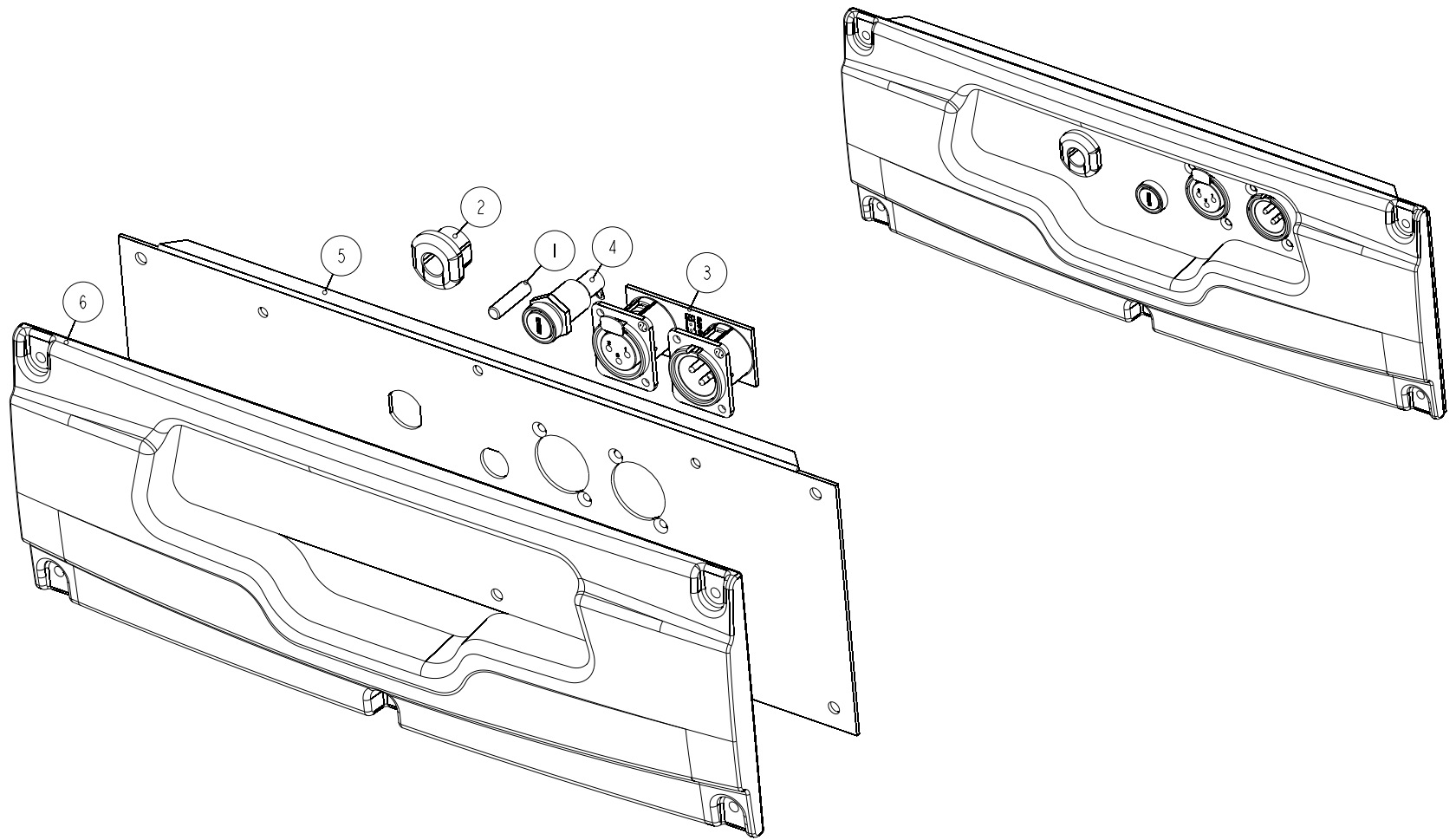
PRODUCT		PHW-260			
PIC. NO.		13-0005-01-01-02			
EDIT		FILE NO.	GS-EXP-032A	PAGE NO.	6/29
CHECK		VERSION	A	DATE	2007. 12. 13
APPROVE		ECN NO.		DATE	



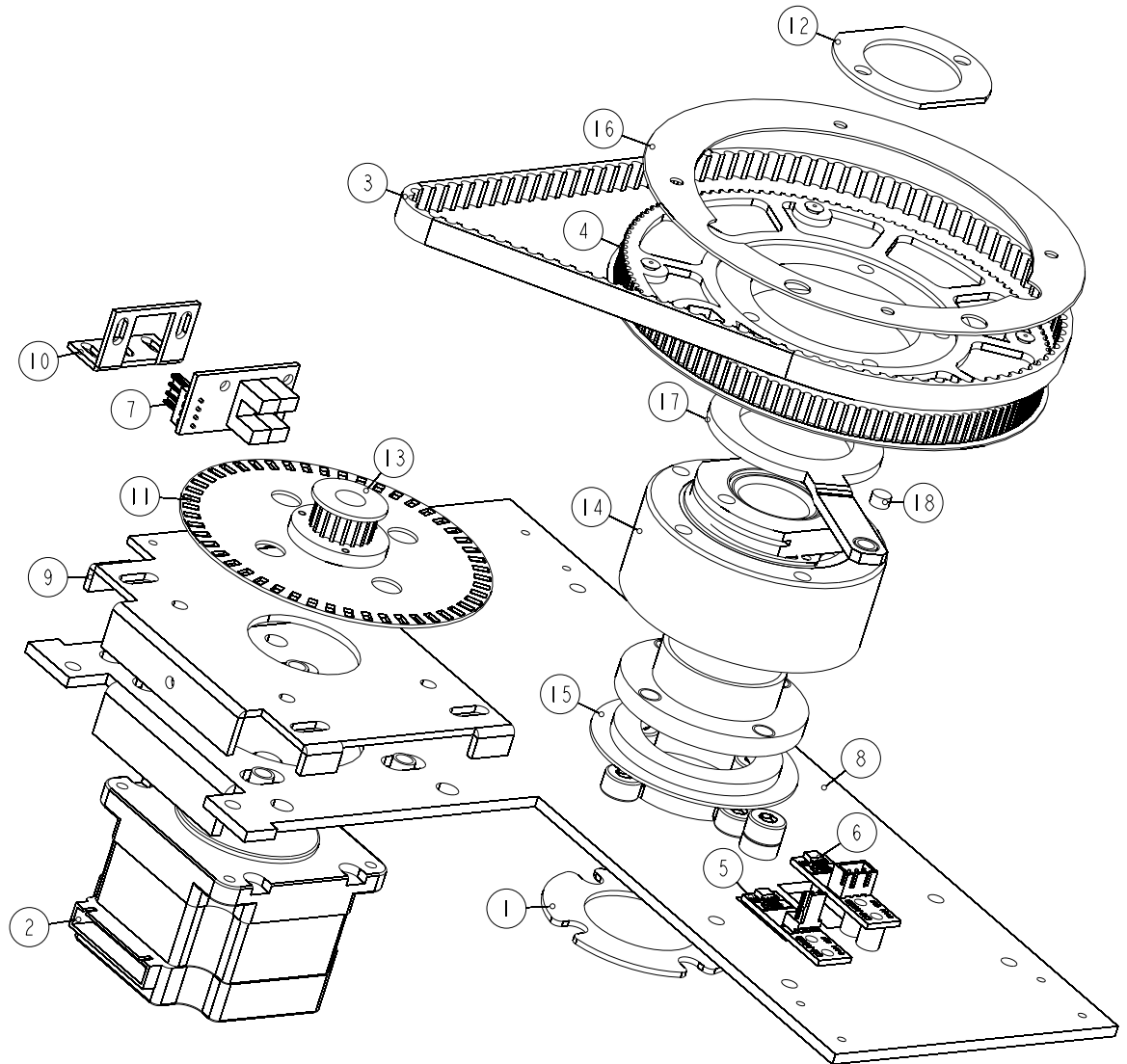
PRODUCT		PHW-260			
PIC. NO.		13-0005-01-01-03			
EDIT		FILE NO.	GS-EXP-032A	PAGE NO.	7/29
CHECK		VERSION	A	DATE	2007.12.13
APPROVE		ECN NO.		DATE	



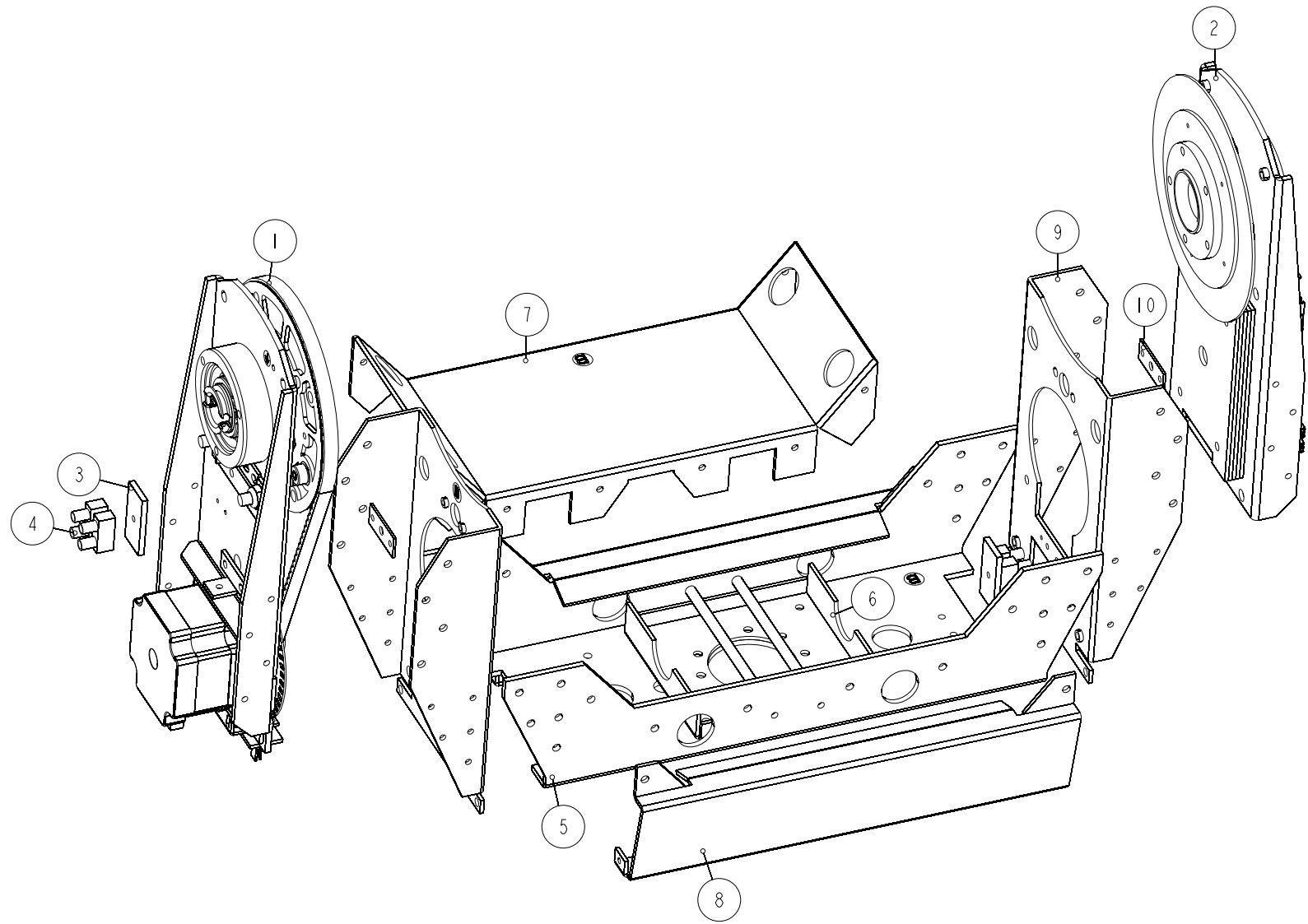
PRODUCT		PHW-260			
PIC. NO.		13-0005-01-02-00			
EDIT		FILE NO.	GS-EXP-032A	PAGE NO.	8/29
CHECK		VERSION	A	DATE	2007. 12. 13
APPROVE		ECN NO.		DATE	



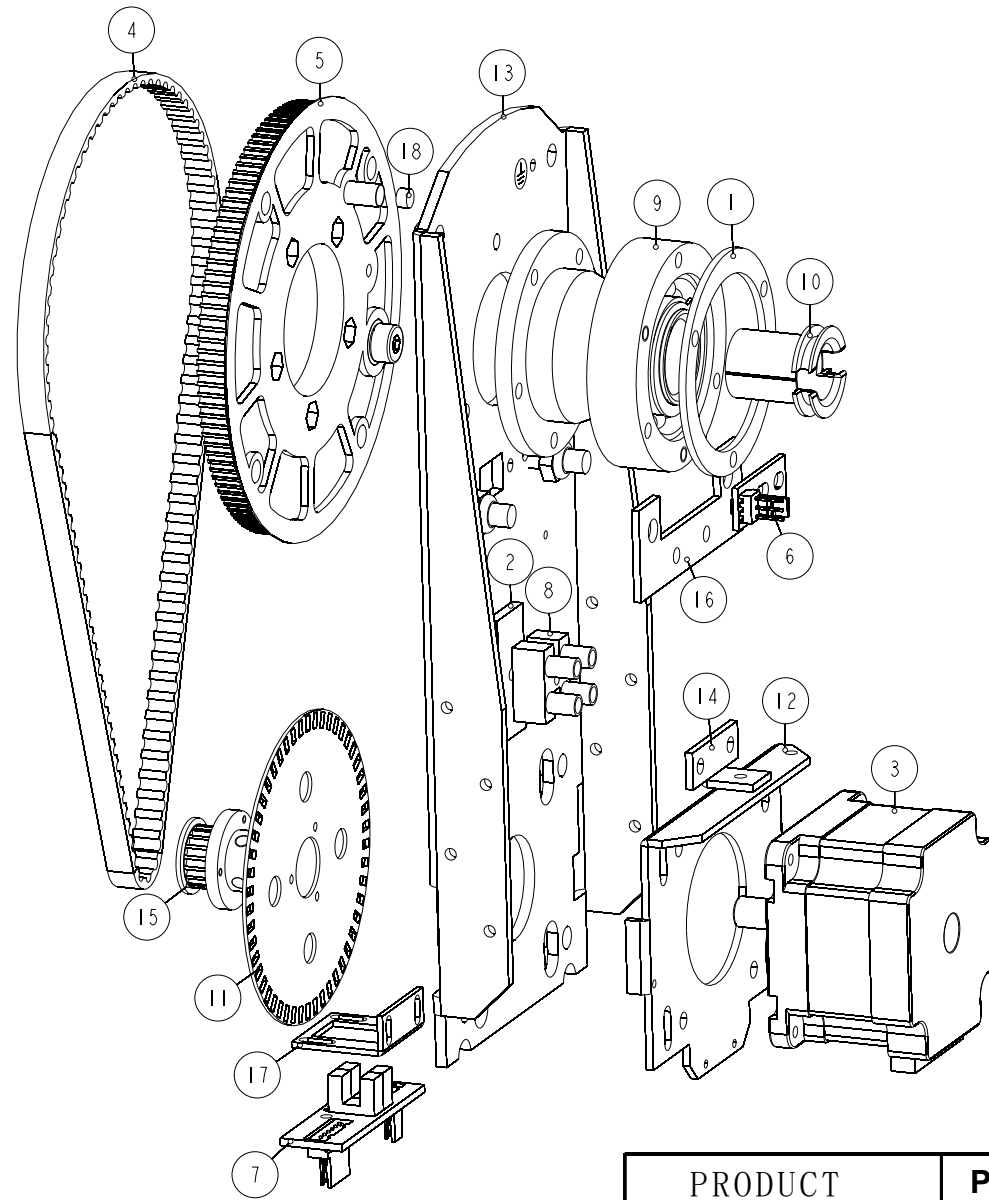
PRODUCT		PHW-260			
PIC. NO.		13-0005-01-03-00			
EDIT		FILE NO.	GS-EXP-032A	PAGE NO.	9/29
CHECK		VERSION	A	DATE	2007. 12. 13
APPROVE		ECN NO.		DATE	



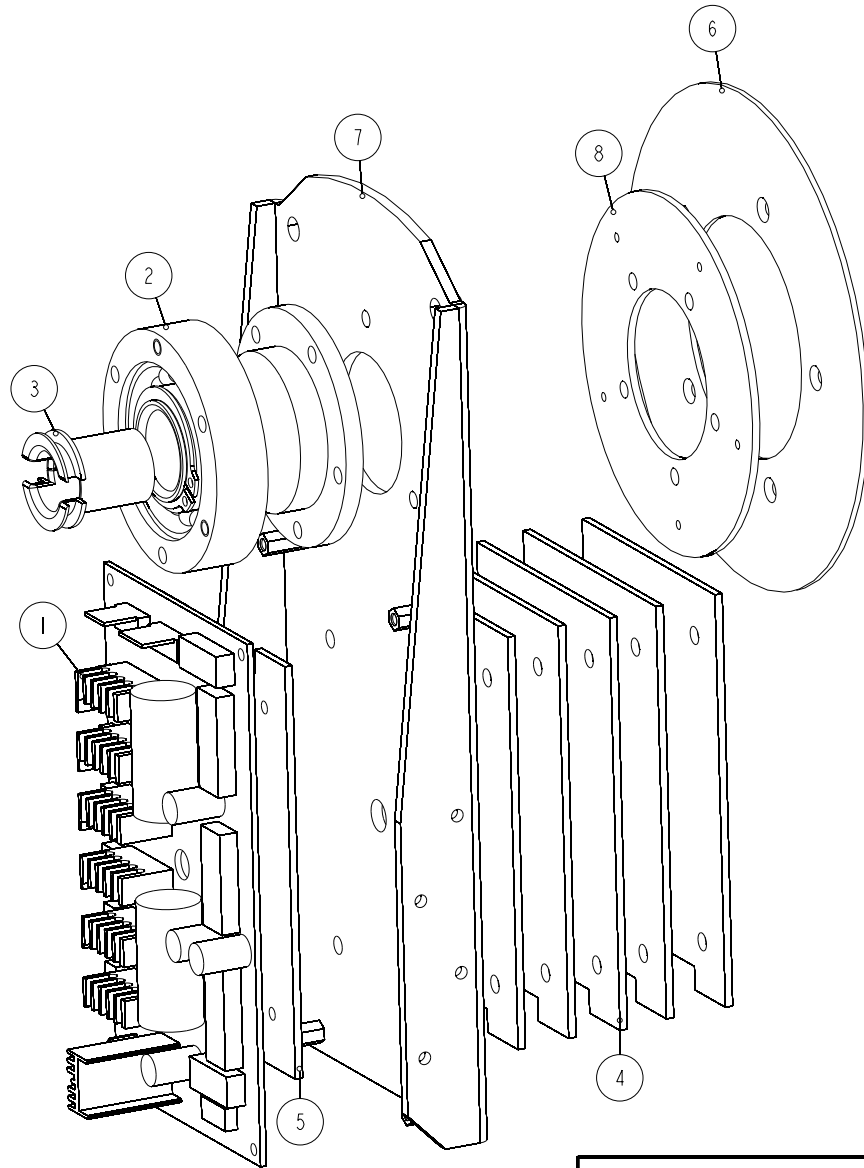
PRODUCT		PHW-260			
PIC. NO.		13-0005-02-00-00			
EDIT		FILE NO.	GS-EXP-032A	PAGE NO.	10/29
CHECK		VERSION	A	DATE	2007. 12. 13
APPROVE		ECN NO.		DATE	



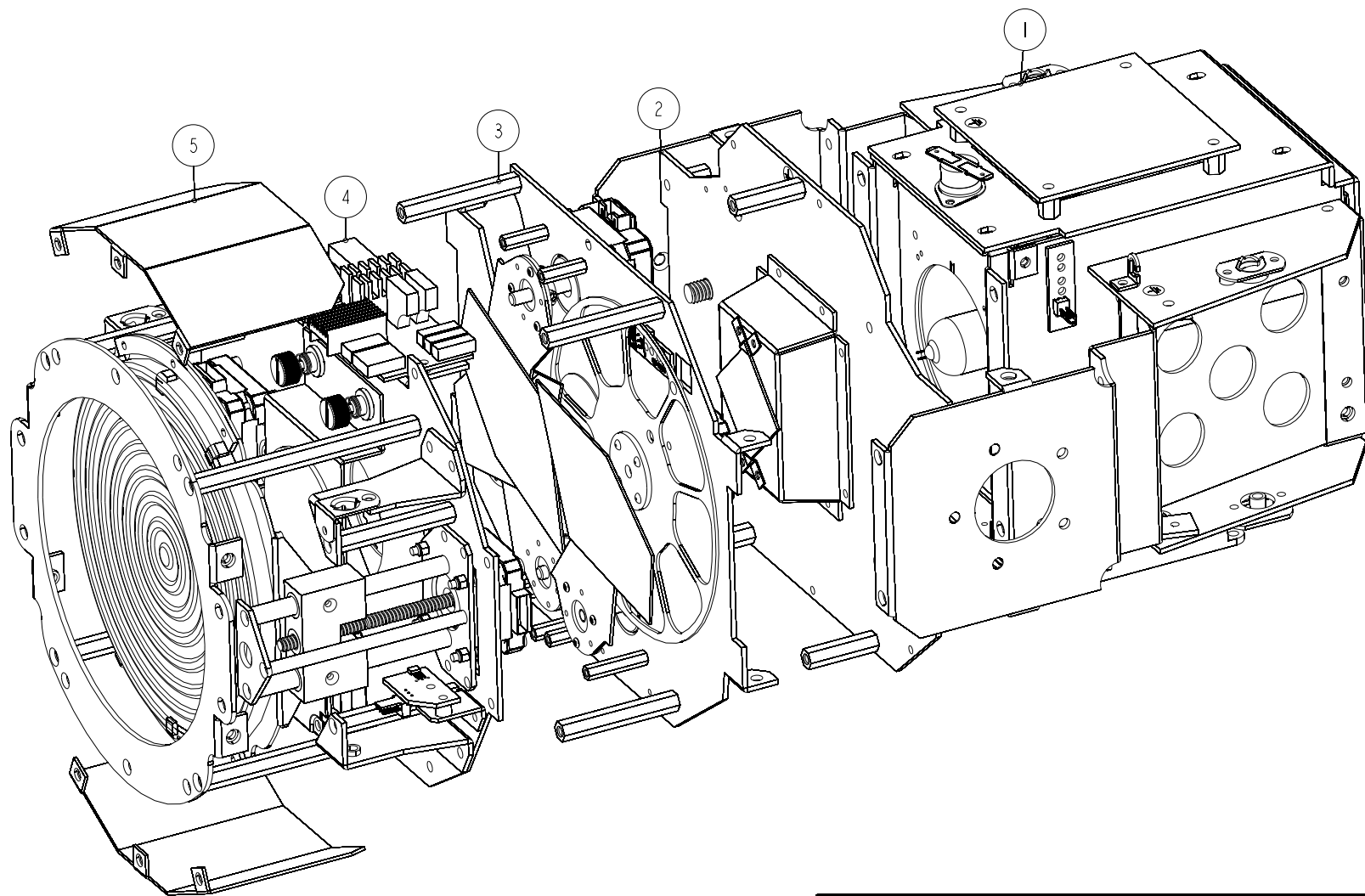
PRODUCT		PHW-260			
PIC. NO.		13-0005-03-00-00			
EDIT		FILE NO.	GS-EXP-032A	PAGE NO.	11/29
CHECK		VERSION	A	DATE	2007. 12. 13
APPROVE		ECN NO.		DATE	



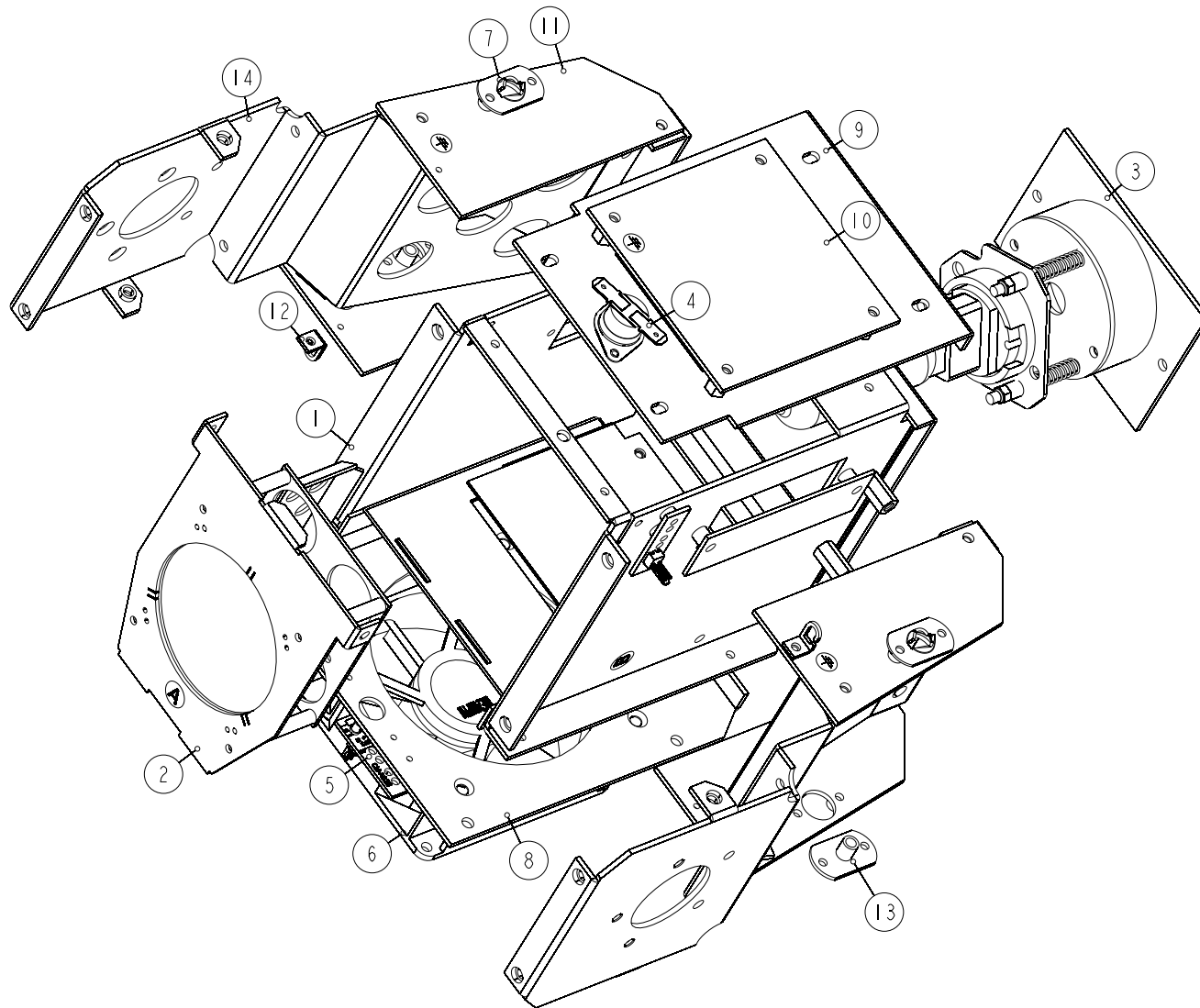
PRODUCT		PHW-260			
PIC. NO.		13-0005-03-01-00			
EDIT		FILE NO.	GS-EXP-032A	PAGE NO.	12/29
CHECK		VERSION	A	DATE	2007. 12. 13
APPROVE		ECN NO.		DATE	



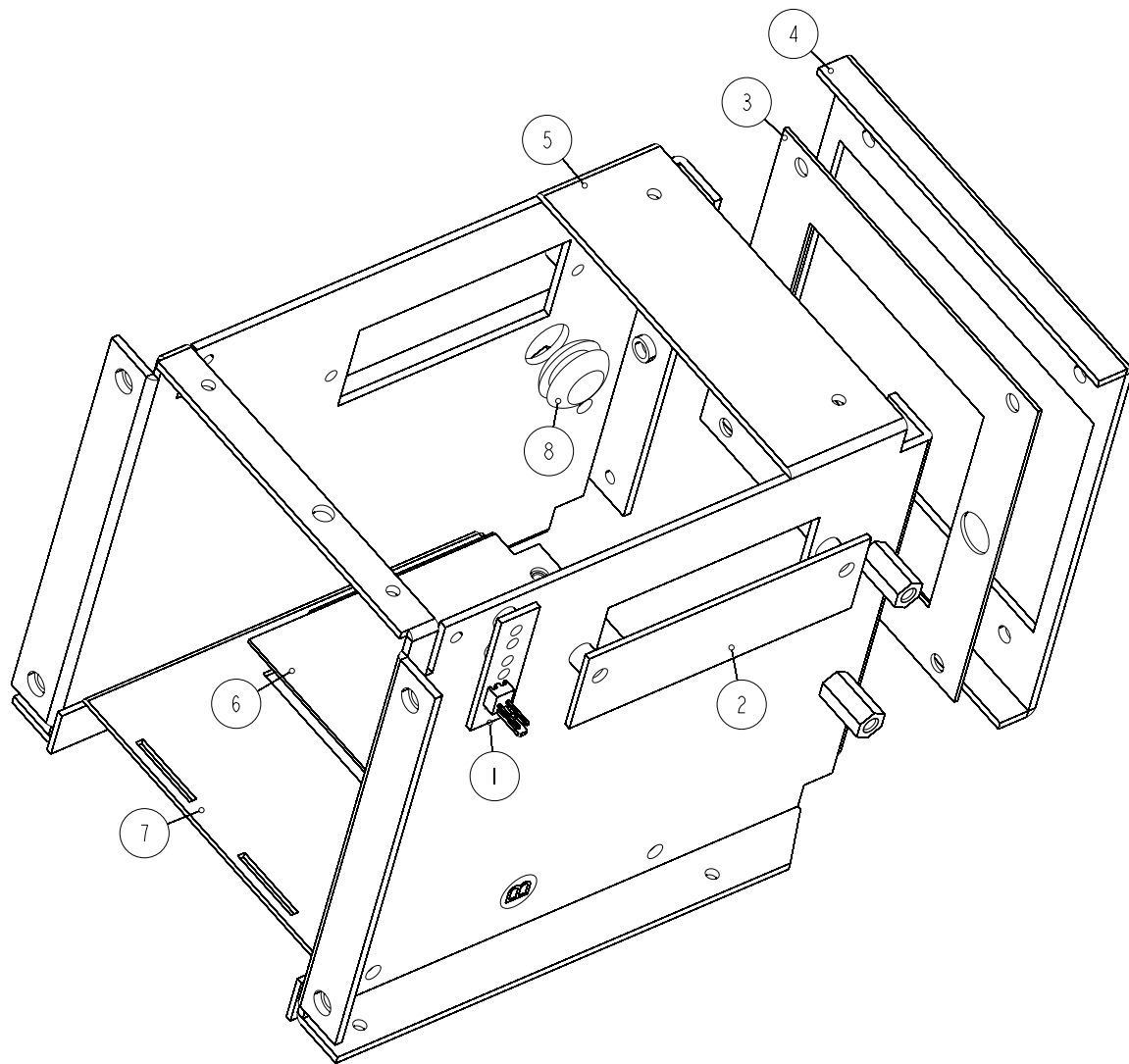
PRODUCT		PHW-260			
PIC. NO.		13-0005-03-02-00			
EDIT		FILE NO.	GS-EXP-032A	PAGE NO.	13/29
CHECK		VERSION	A	DATE	2007. 12. 13
APPROVE		ECN NO.		DATE	



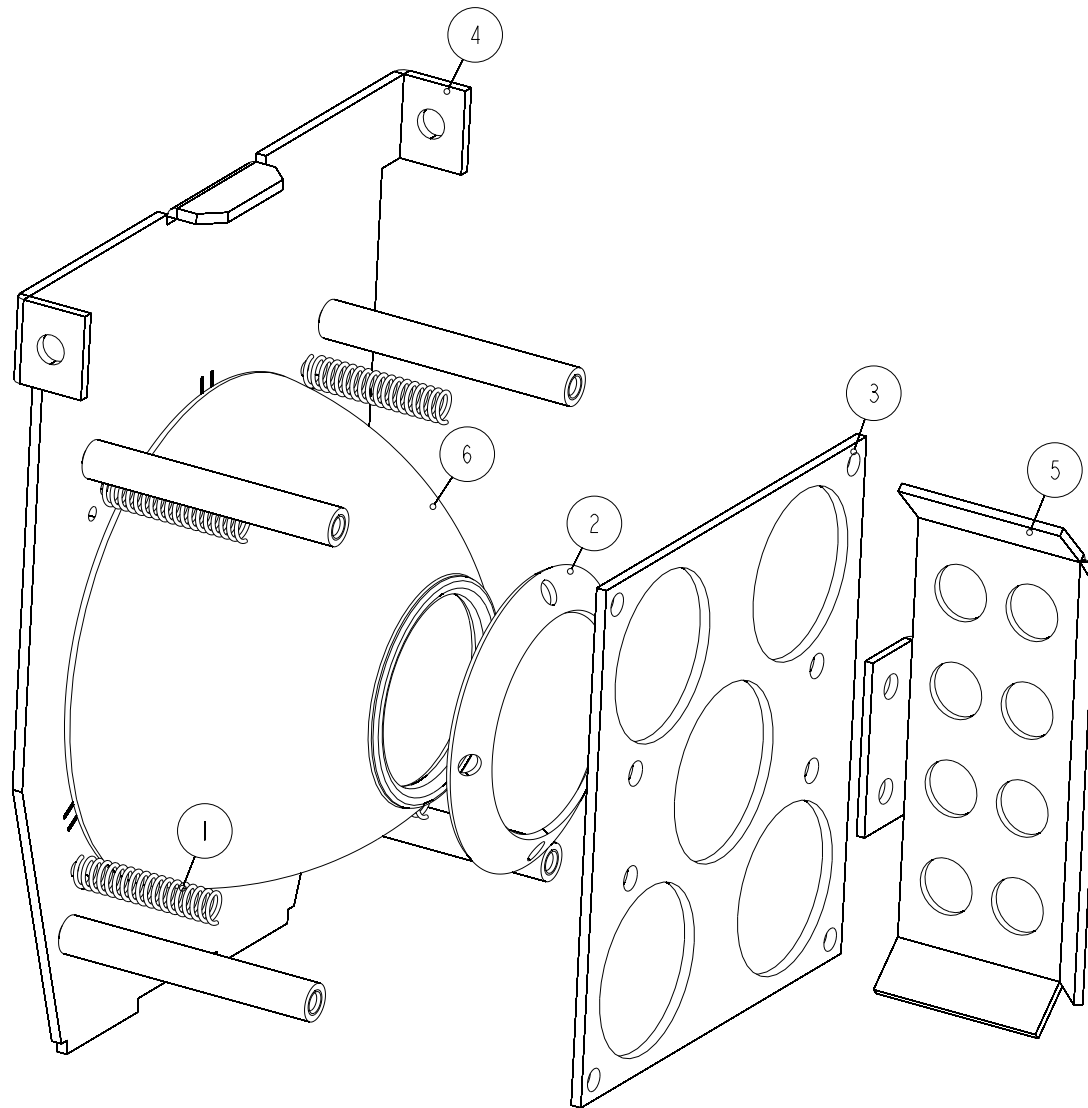
PRODUCT		PHW-260			
PIC. NO.		13-0005-04-00-00			
EDIT		FILE NO.	GS-EXP-032A	PAGE NO.	14/29
CHECK		VERSION	A	DATE	2007. 12. 13
APPROVE		ECN NO.		DATE	



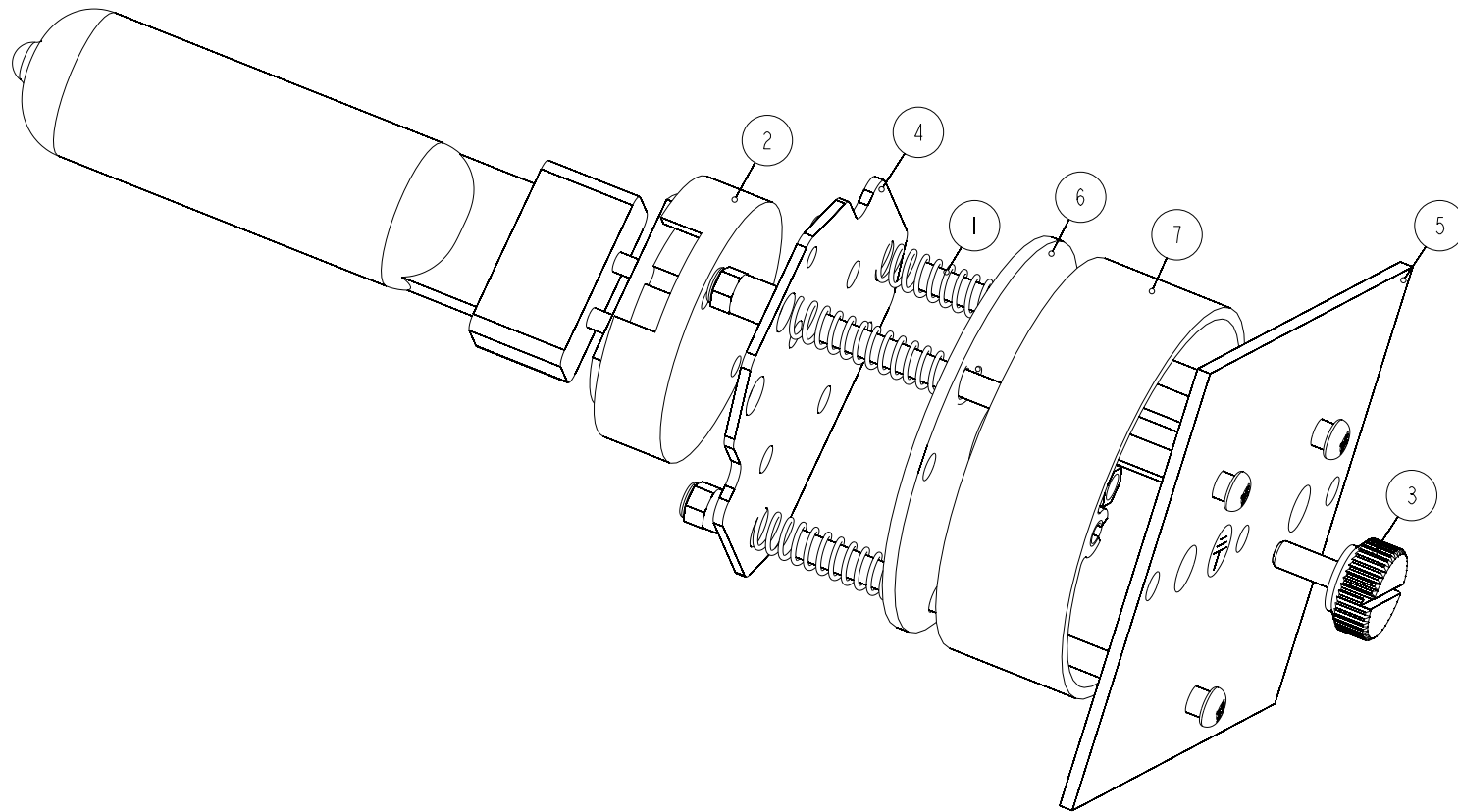
PRODUCT		PHW-260			
PIC. NO.		13-0005-04-01-00			
EDIT		FILE NO.	GS-EXP-032A	PAGE NO.	15/29
CHECK		VERSION	A	DATE	2007.12.13
APPROVE		ECN NO.		DATE	



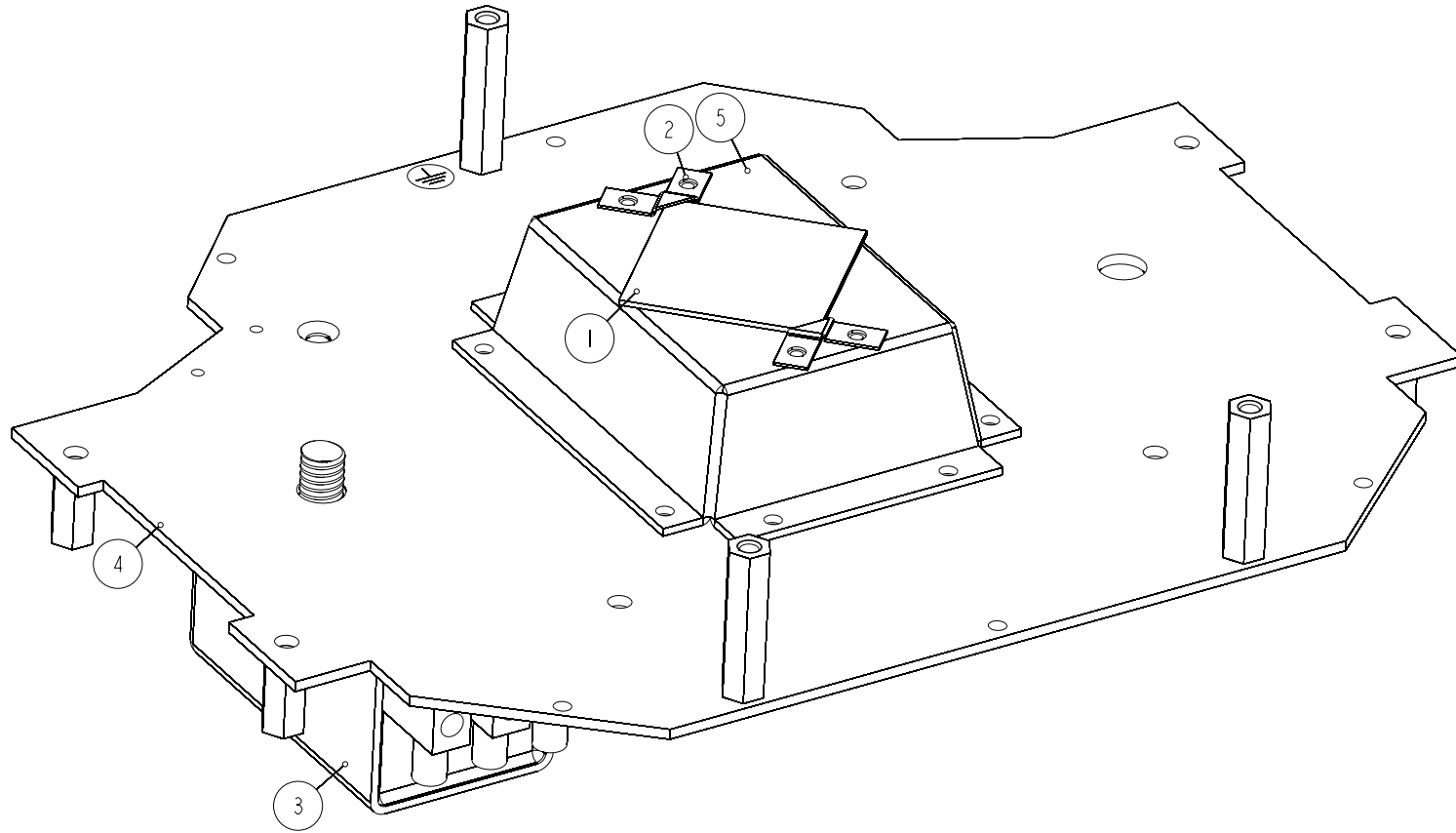
PRODUCT		PHW-260			
PIC. NO.		13-0005-04-01-01			
EDIT		FILE NO.	GS-EXP-032A	PAGE NO.	16/29
CHECK		VERSION	A	DATE	2007. 12. 13
APPROVE		ECN NO.		DATE	



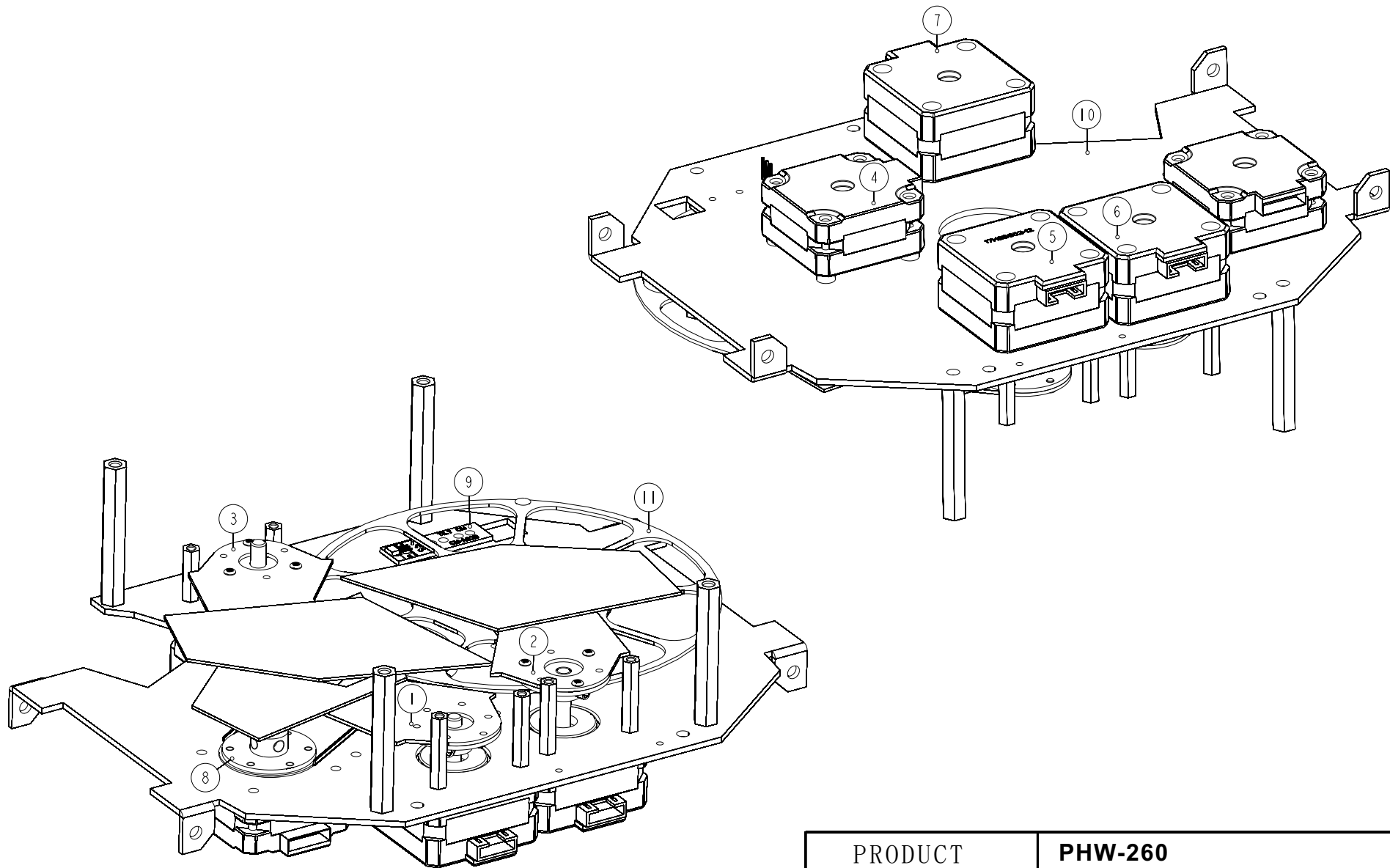
PRODUCT		PHW-260			
PIC. NO.		13-0005-04-01-02			
EDIT		FILE NO.	GS-EXP-032A	PAGE NO.	17/29
CHECK		VERSION	A	DATE	2007. 12. 13
APPROVE		ECN NO.		DATE	



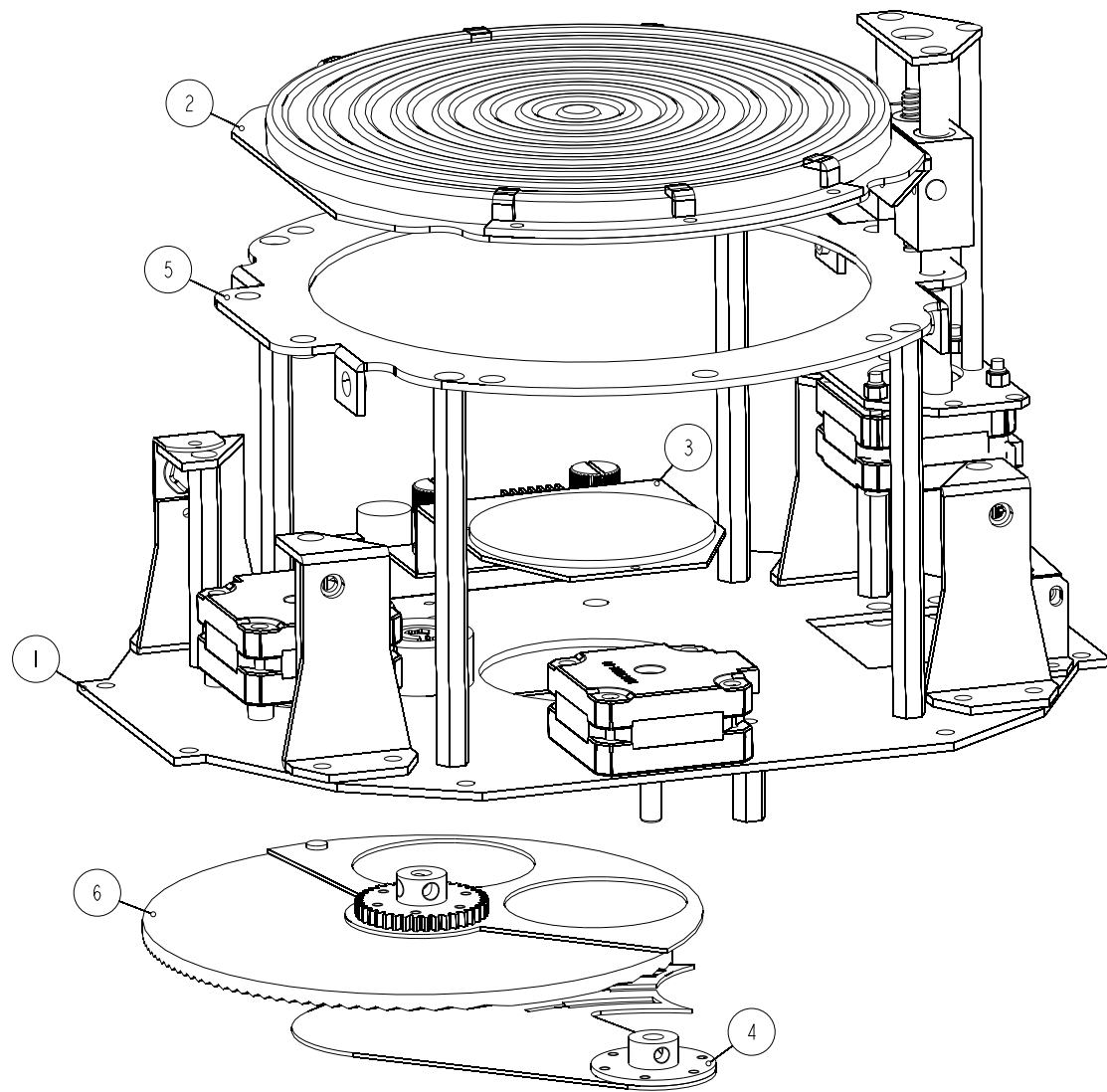
PRODUCT		PHW-260			
PIC. NO.		13-0005-04-01-03			
EDIT		FILE NO.	GS-EXP-032A	PAGE NO.	18/29
CHECK		VERSION	A	DATE	2007. 12. 13
APPROVE		ECN NO.		DATE	



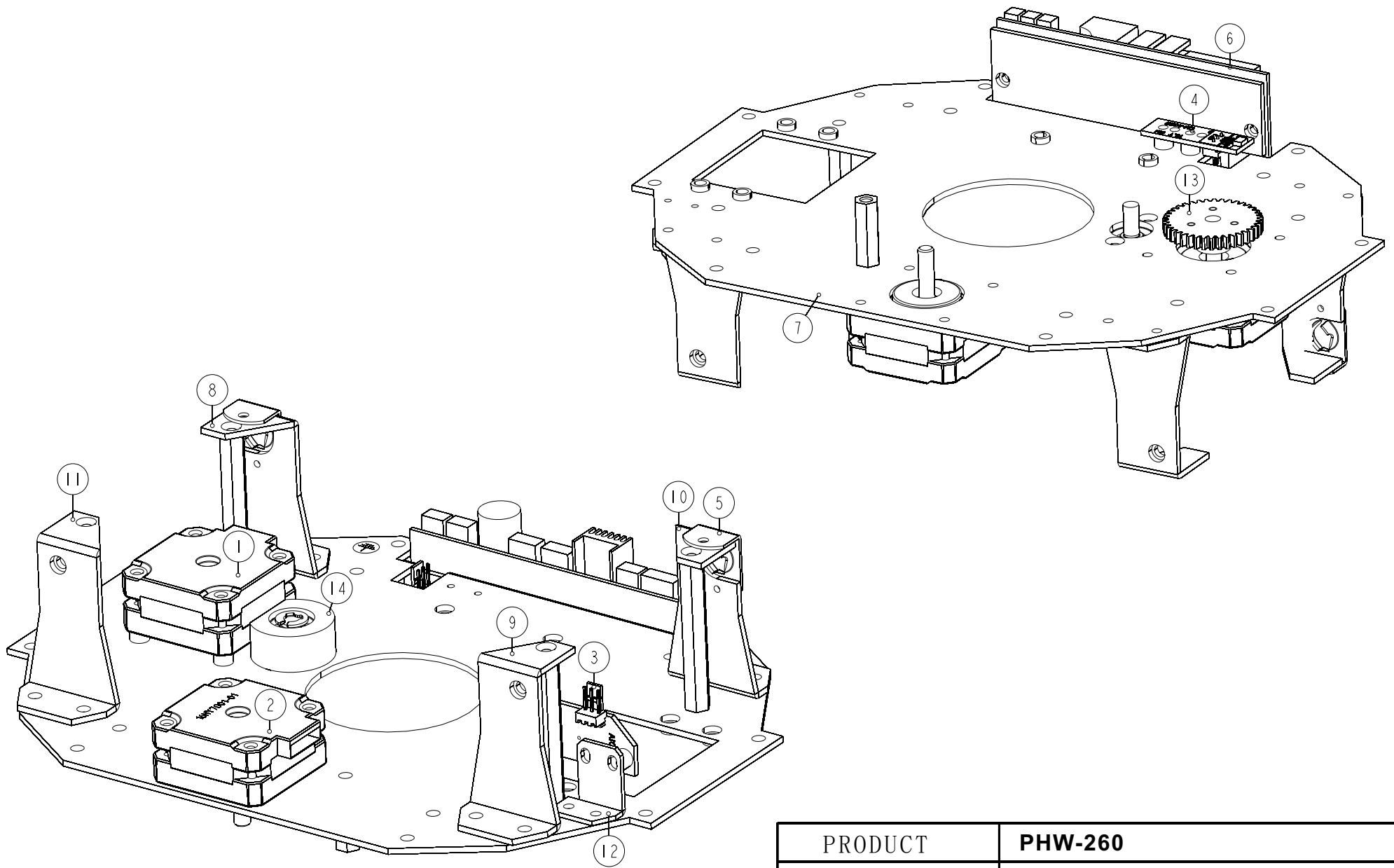
PRODUCT		PHW-260			
PIC. NO.		13-0005-04-02-00			
EDIT		FILE NO.	GS-EXP-032A	PAGE NO.	19/29
CHECK		VERSION	A	DATE	2007. 12. 13
APPROVE		ECN NO.		DATE	



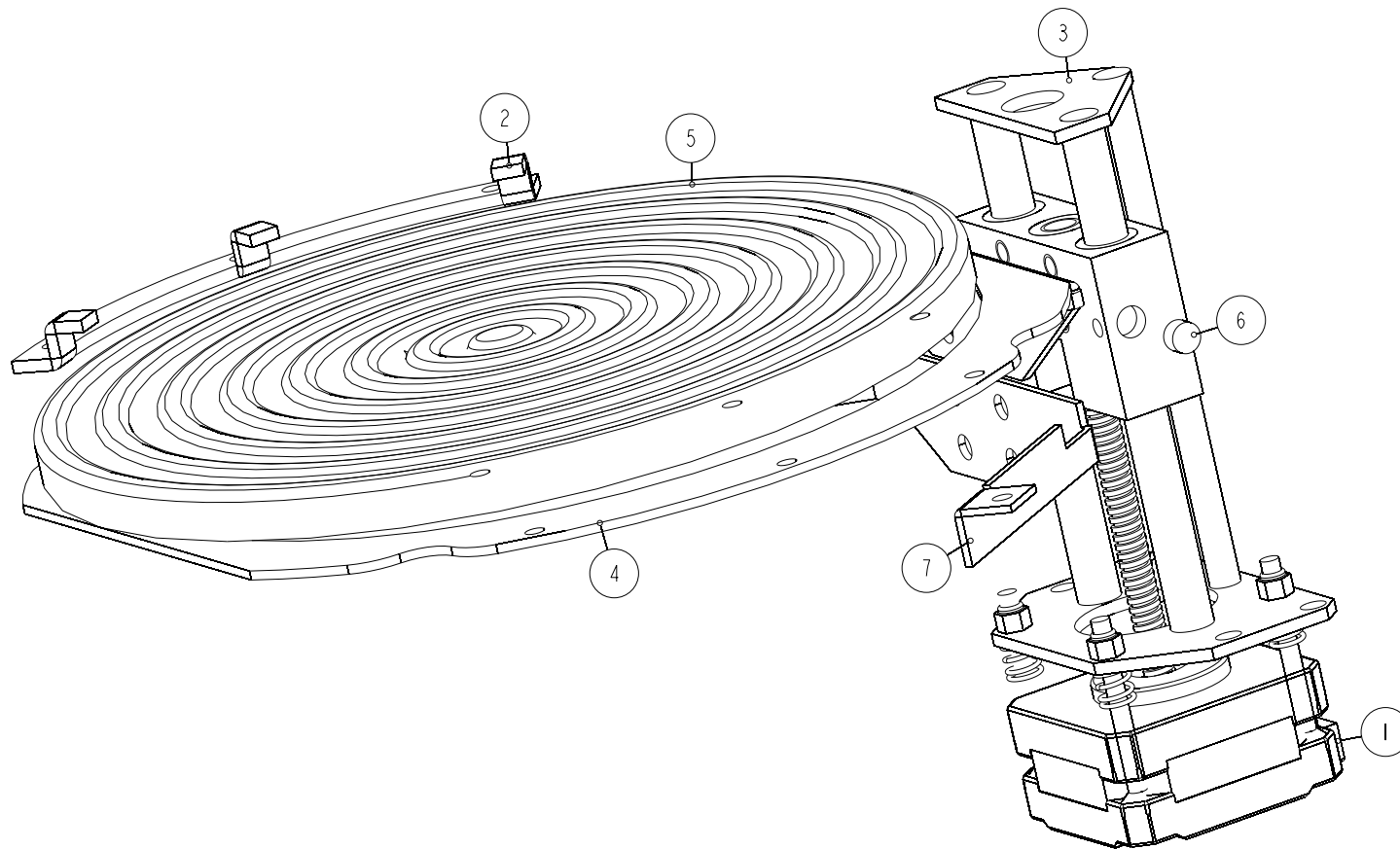
PRODUCT		PHW-260			
PIC. NO.		13-0005-04-03-00			
EDIT		FILE NO.	GS-EXP-032A	PAGE NO.	20/29
CHECK		VERSION	A	DATE	2007.12.13
APPROVE		ECN NO.		DATE	



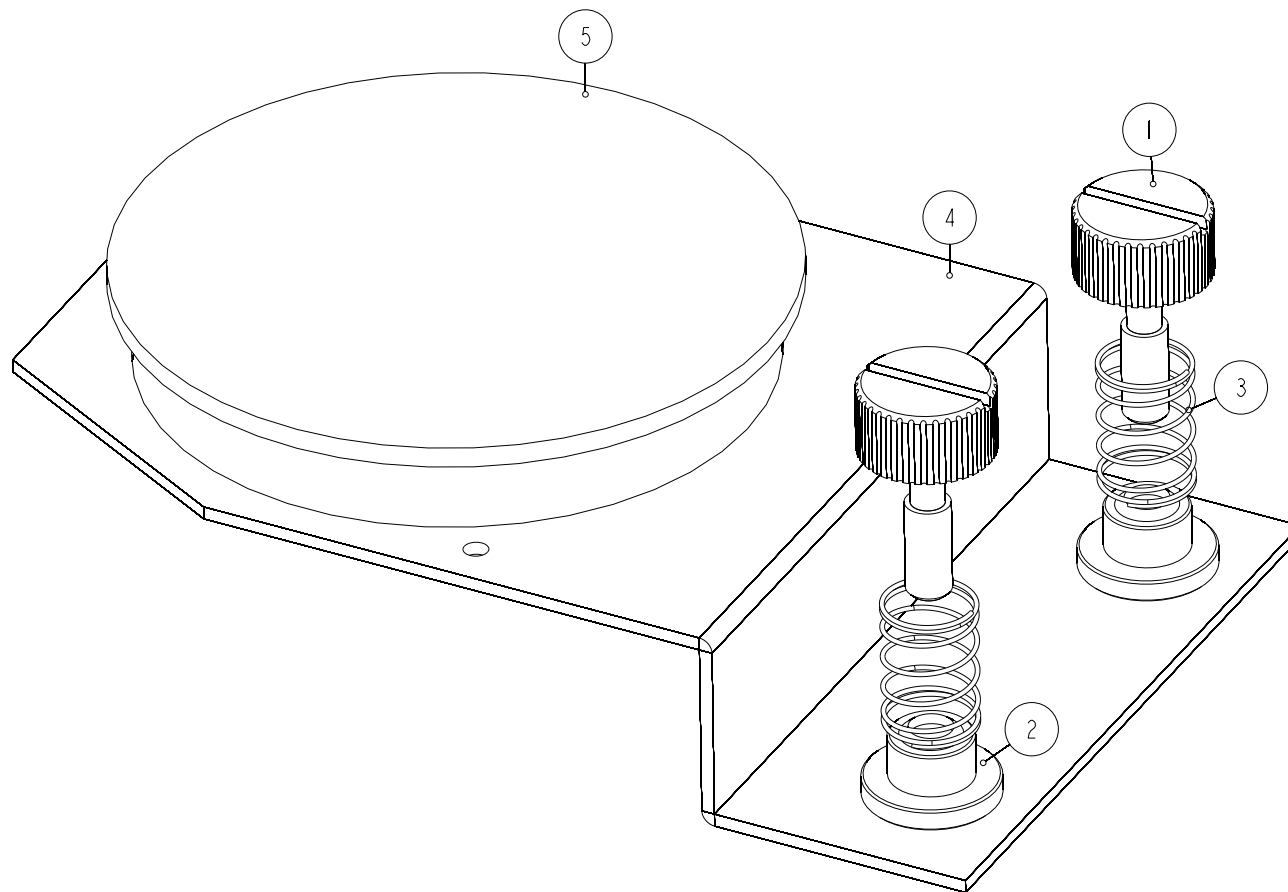
PRODUCT		PHW-260			
PIC. NO.		13-0005-04-04-00			
EDIT		FILE NO.	GS-EXP-032A	PAGE NO.	21/29
CHECK		VERSION	A	DATE	2007. 12. 13
APPROVE		ECN NO.		DATE	



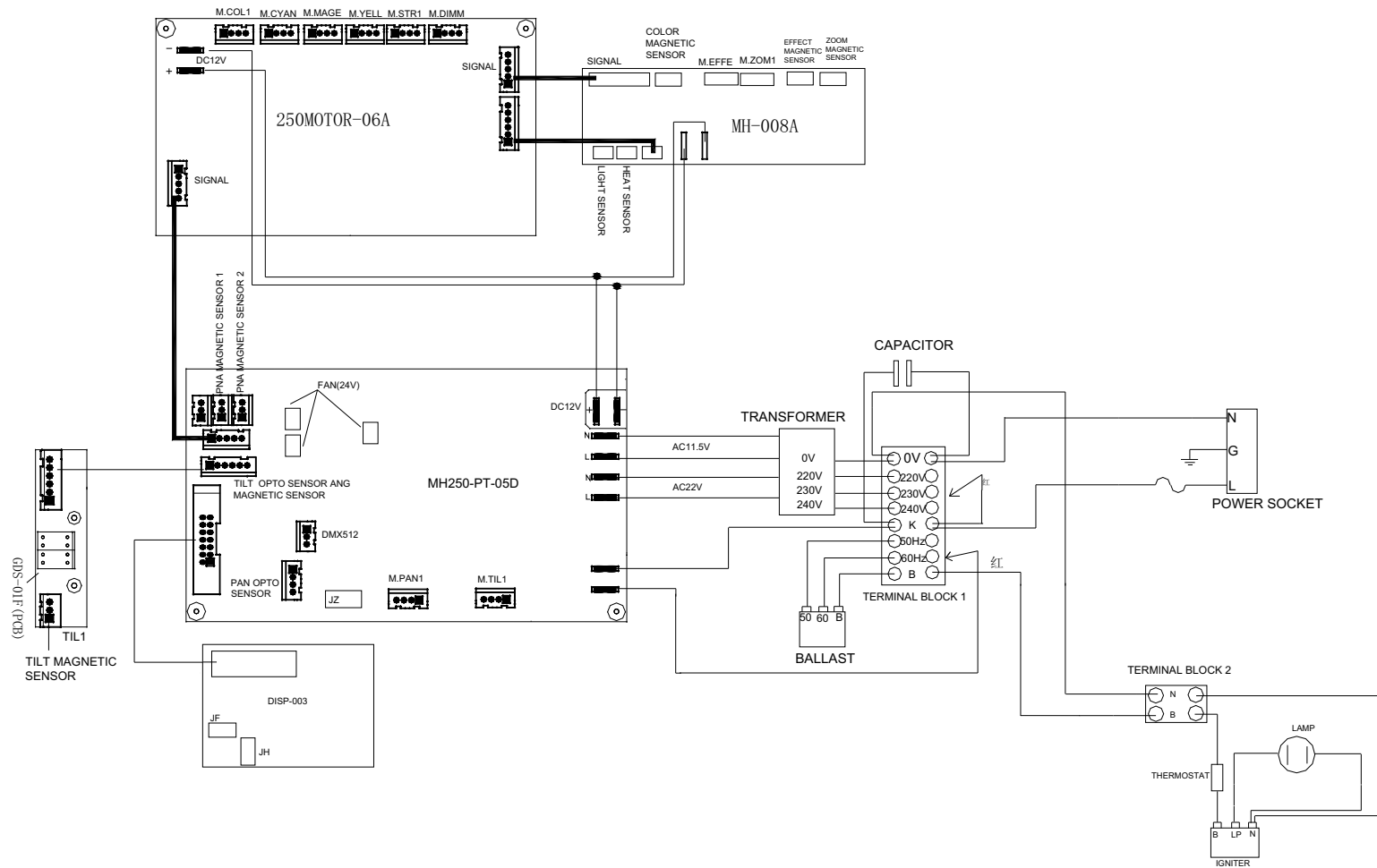
PRODUCT		PHW-260			
PIC. NO.		13-0005-04-04-01			
EDIT		FILE NO.	GS-EXP-032A	PAGE NO.	22/29
CHECK		VERSION	A	DATE	2007.12.13
APPROVE		ECN NO.		DATE	



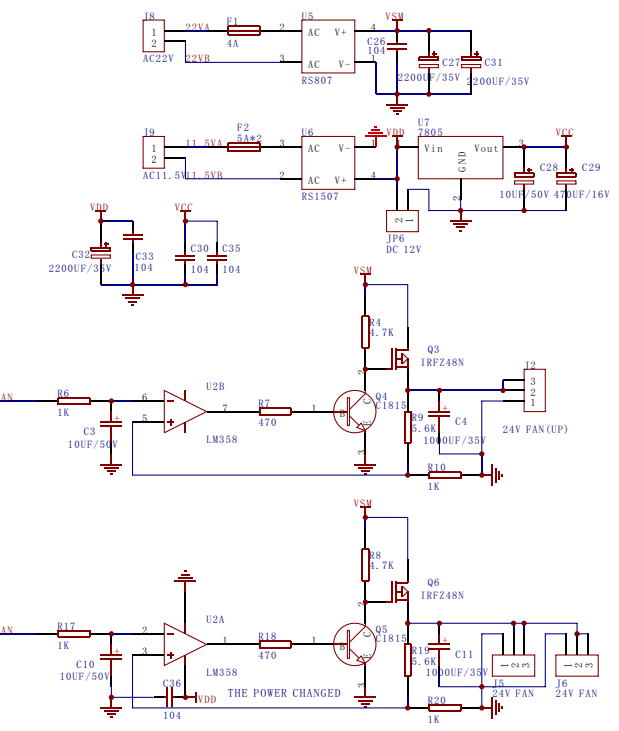
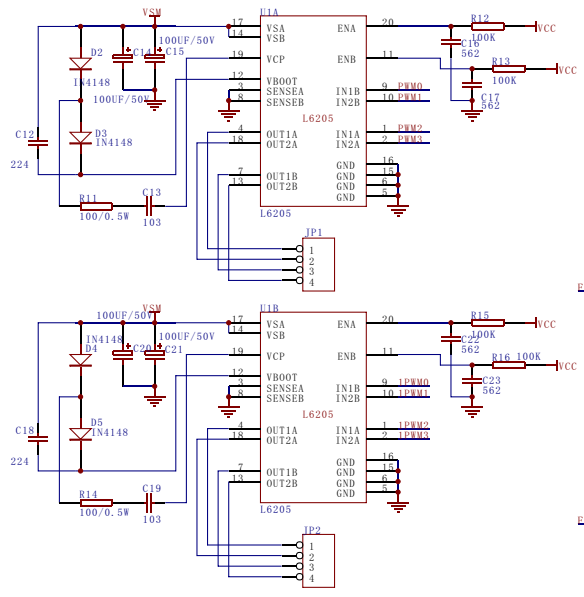
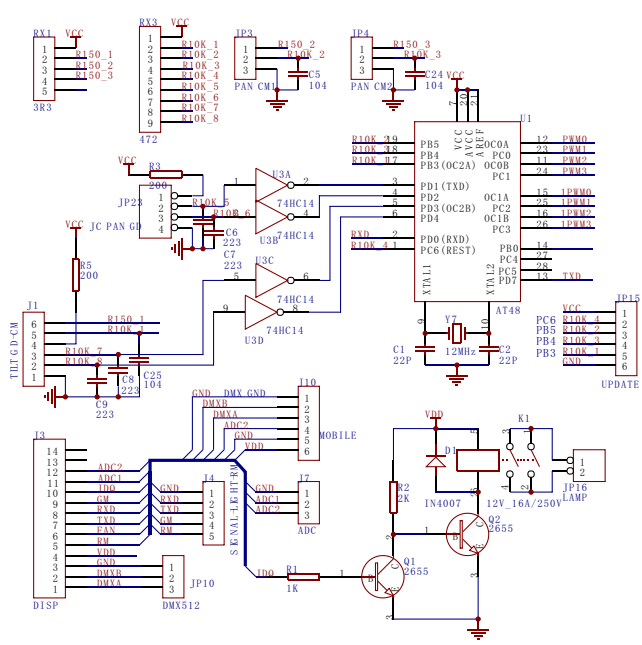
PRODUCT		PHW-260			
PIC. NO.		13-0005-04-04-02			
EDIT		FILE NO.	GS-EXP-032A	PAGE NO.	23/29
CHECK		VERSION	A	DATE	2007.12.13
APPROVE		ECN NO.		DATE	



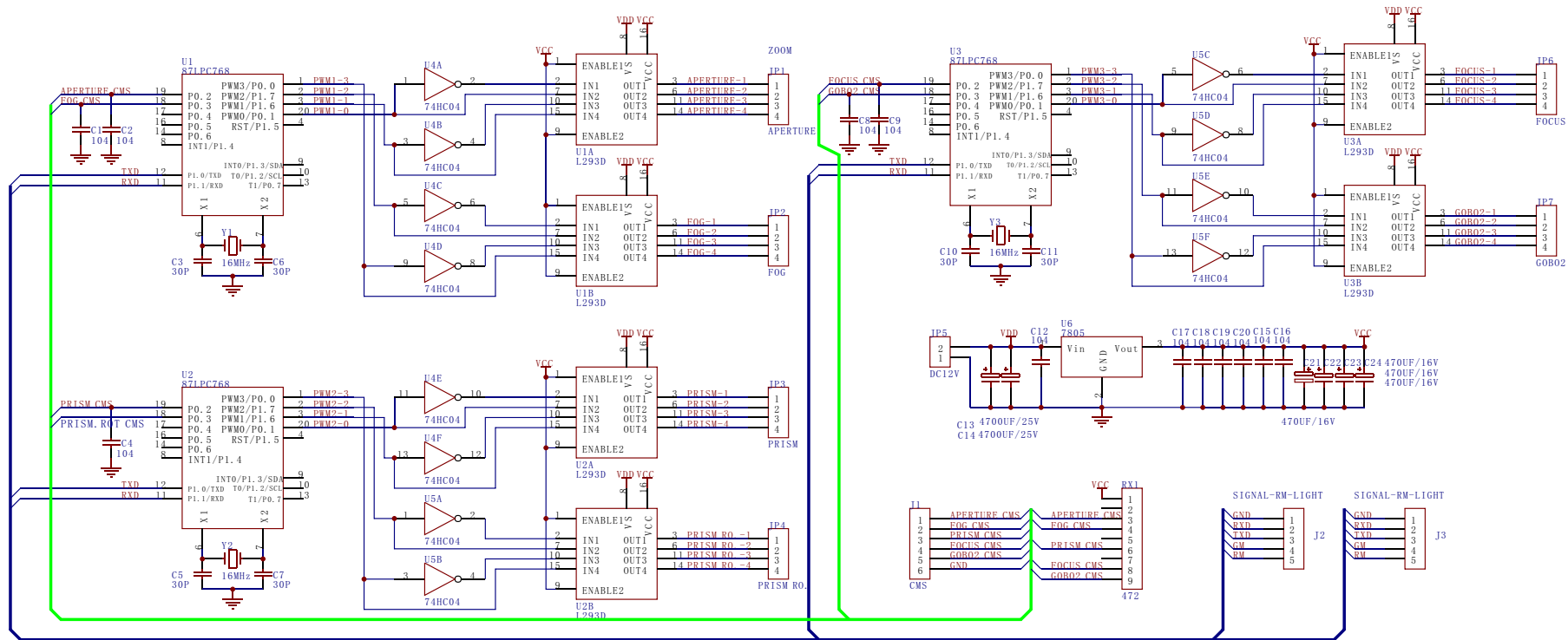
PRODUCT		PHW-260			
PIC. NO.		Y-V250W-03-022_A00			
EDIT		FILE NO.	GS-EXP-032A	PAGE NO.	24/29
CHECK		VERSION	A	DATE	2007. 12. 13
APPROVE		ECN NO.		DATE	



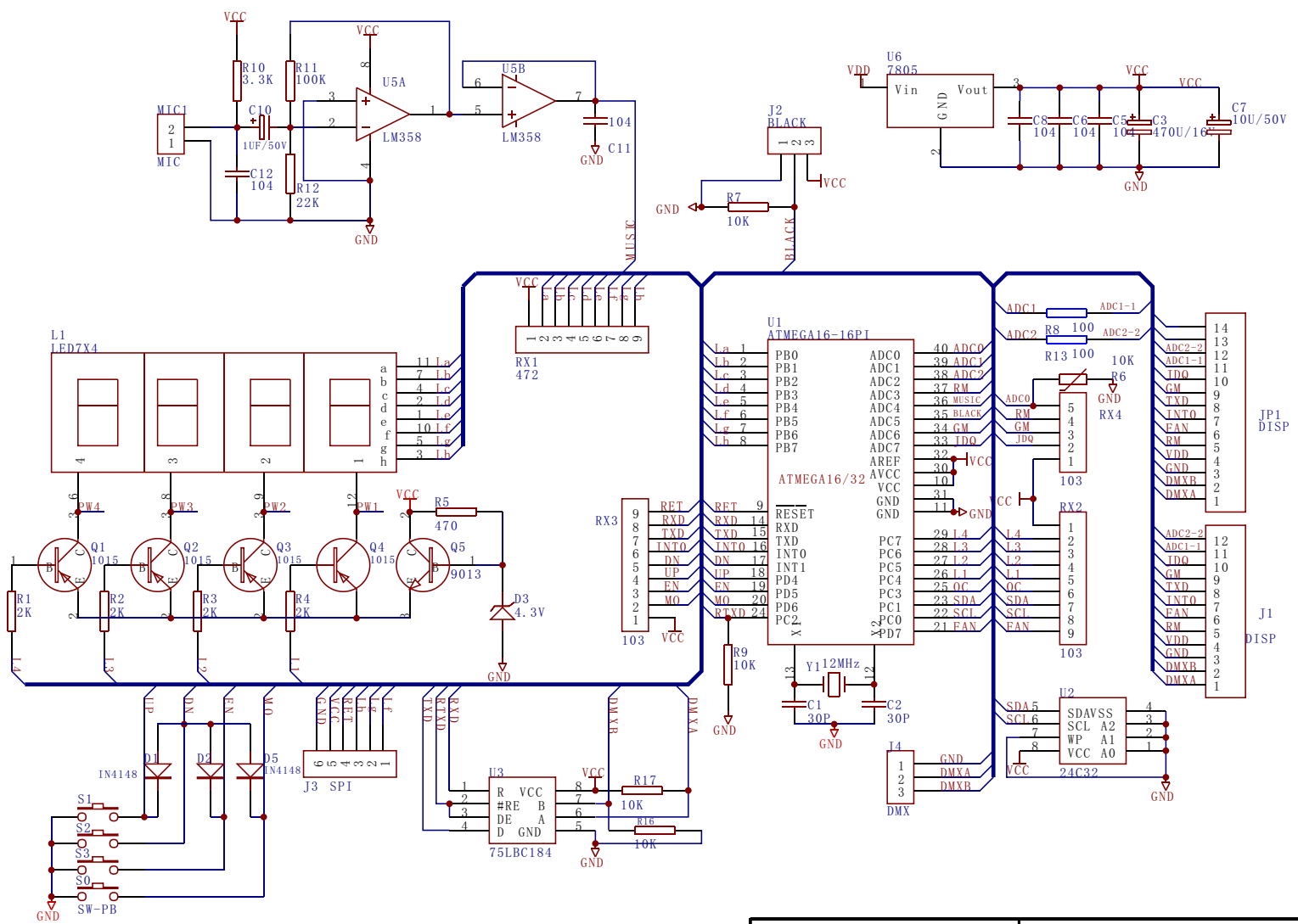
PRODUCT		PHW-260			
PIC. NO.		V250W ELECTRIC			
EDIT		FILE NO.	GS-WIJL-091-01	PAGE NO.	25/29
CHECK		VERSION	A	DATE	2007. 12. 13
APPROVE		ECN NO.		DATE	



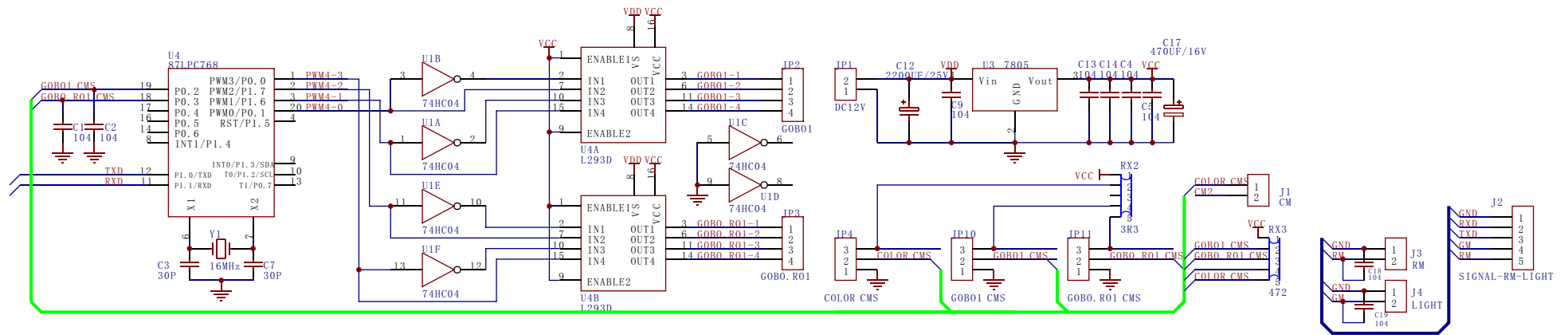
PRODUCT	PHW-260				
PIC. NO.	MH250-PT-05D SCHEME				
EDIT	FILE NO.	GS-WIJL-073-01	PAGE NO.	26/29	
CHECK	VERSION	NR	DATE	2007. 12. 13	
APPROVE	ECN NO.		DATE		



PRODUCT		PHW-260			
PIC. NO.		250MOTOR-06A SCHEME			
EDIT		FILE NO.	GS-WIDL-074	PAGE NO.	27/29
CHECK		VERSION	NR	DATE	2007. 12. 13
APPROVE		ECN NO.		DATE	



PRODUCT		PHW-260			
PIC. NO.		DISP-003 SCHEME			
EDIT		FILE NO.	GS-WIDL-048	PAGE NO.	28/29
CHECK		VERSION	NR	DATE	2007. 12. 13
APPROVE		ECN NO.		DATE	



PRODUCT		PHW-260			
PIC. NO.		MH-008A SCHEME			
EDIT		FILE NO.	GS-WIDL-086	PAGE NO.	29/29
CHECK		VERSION	NR	DATE	2007. 12. 13
APPROVE		ECN NO.		DATE	