

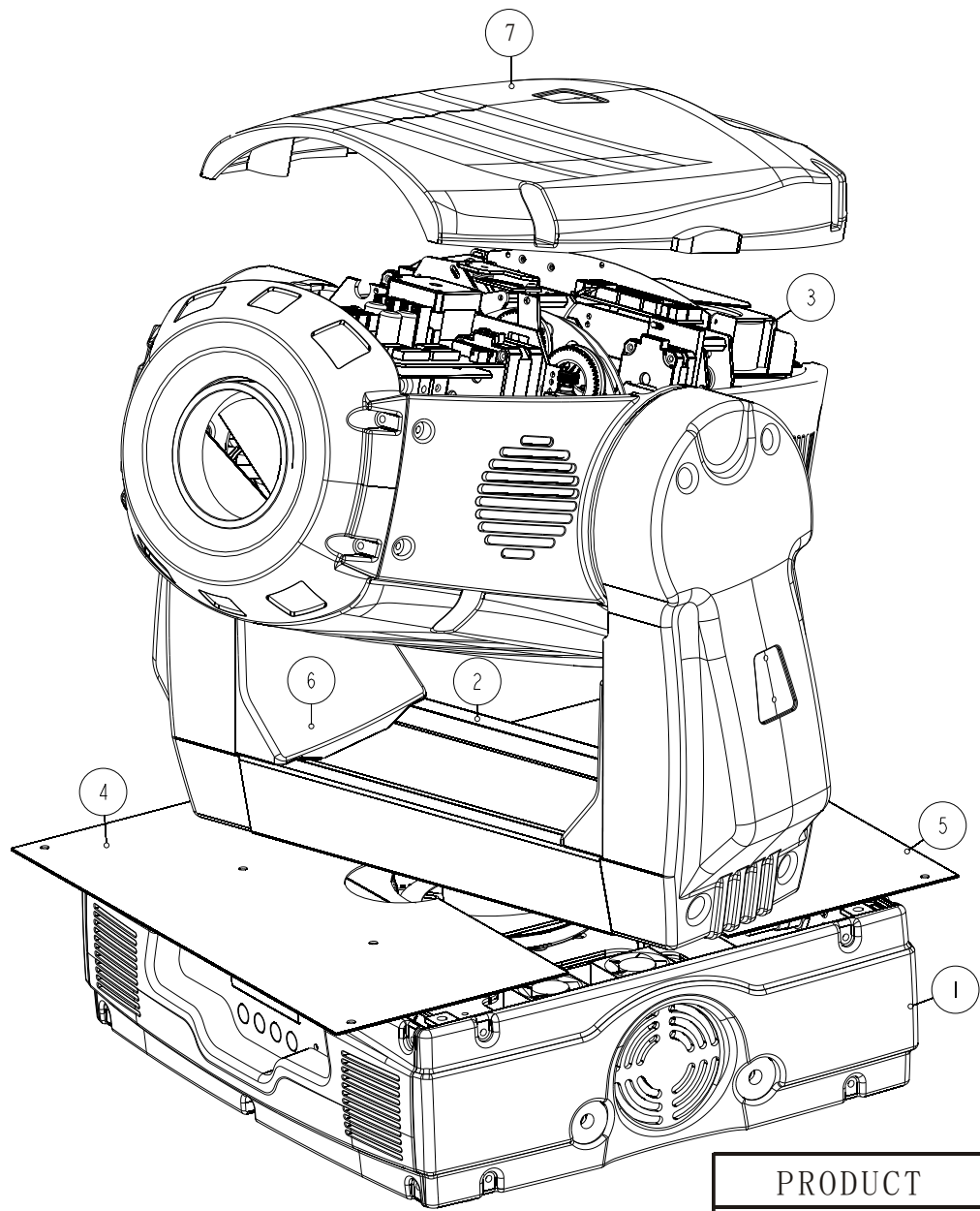
# Service manual

## PHS-750E

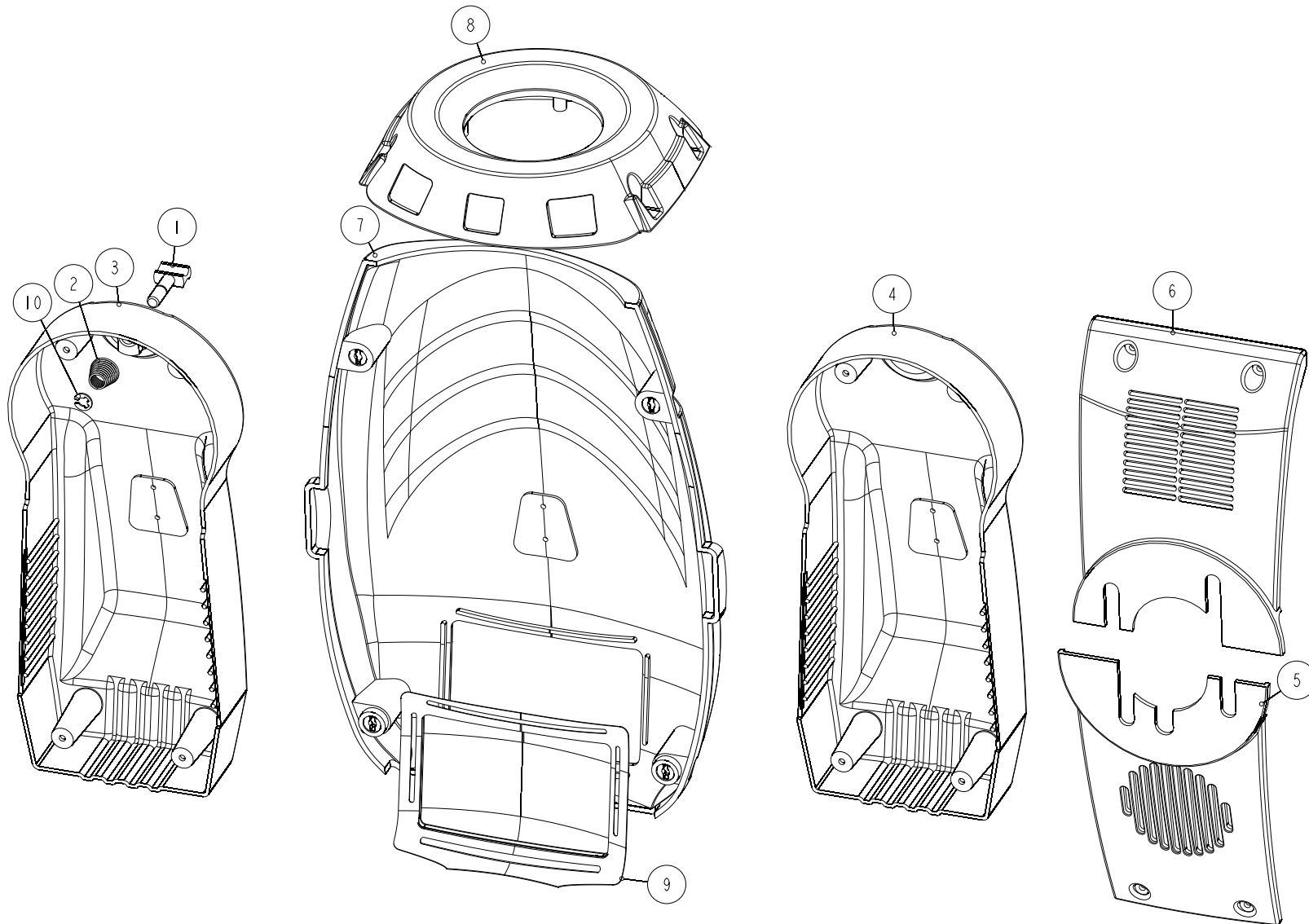
- ※ **Exploded Diagrams**
- ※ **Circuit Diagrams**
- ※ **Wiring Diagrams**
- ※ **Parts List**



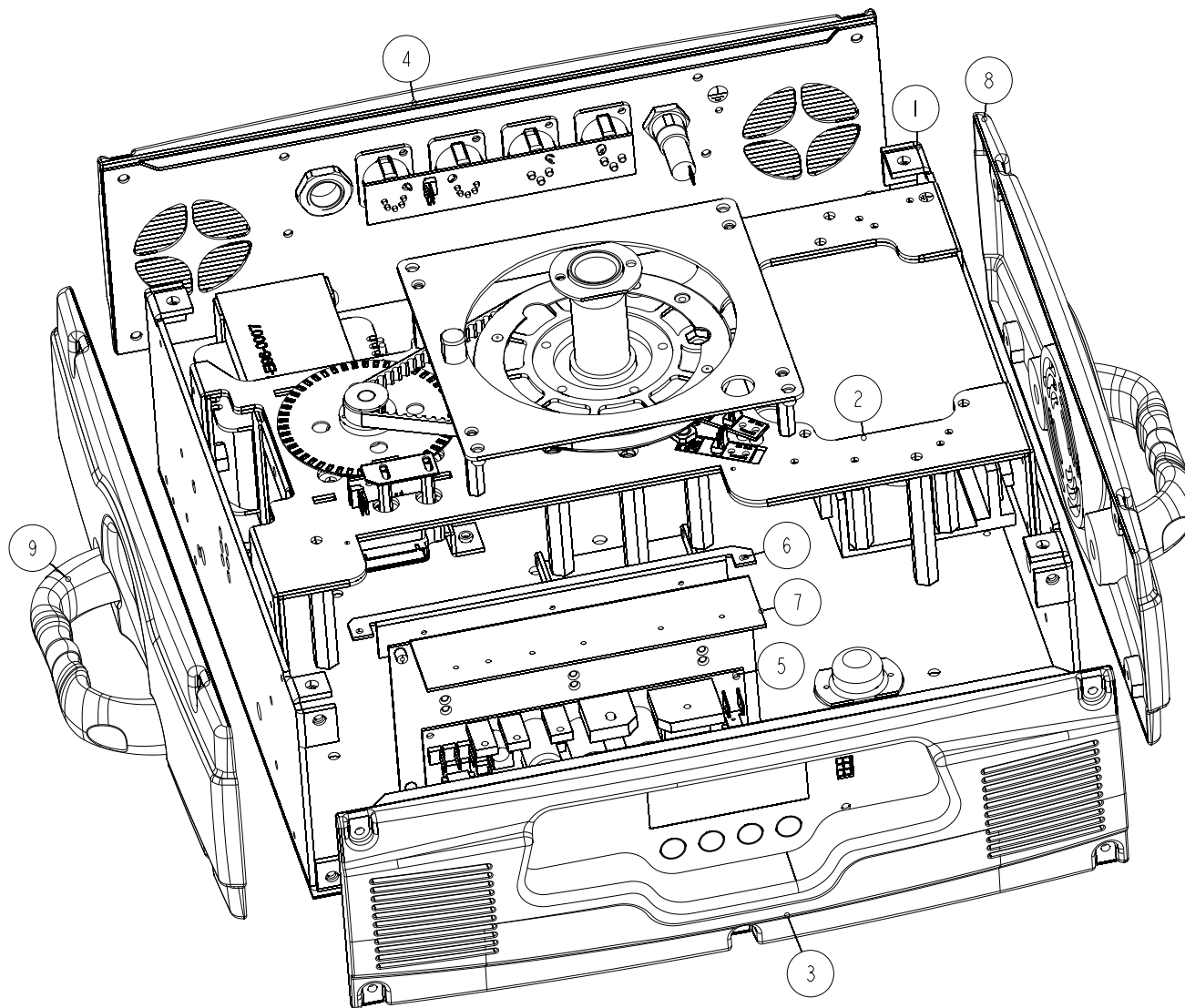
<b>PRODUCT</b>		<b>PHS-750E</b>			
<b>PIC. NO.</b>		<b>Front Page</b>			
EDIT		FILE NO.	GS-EXP-283A		
CHECK		VERSION	NR	DATE	2007. 08. 17
APPROVE		ECN NO.		DATE	



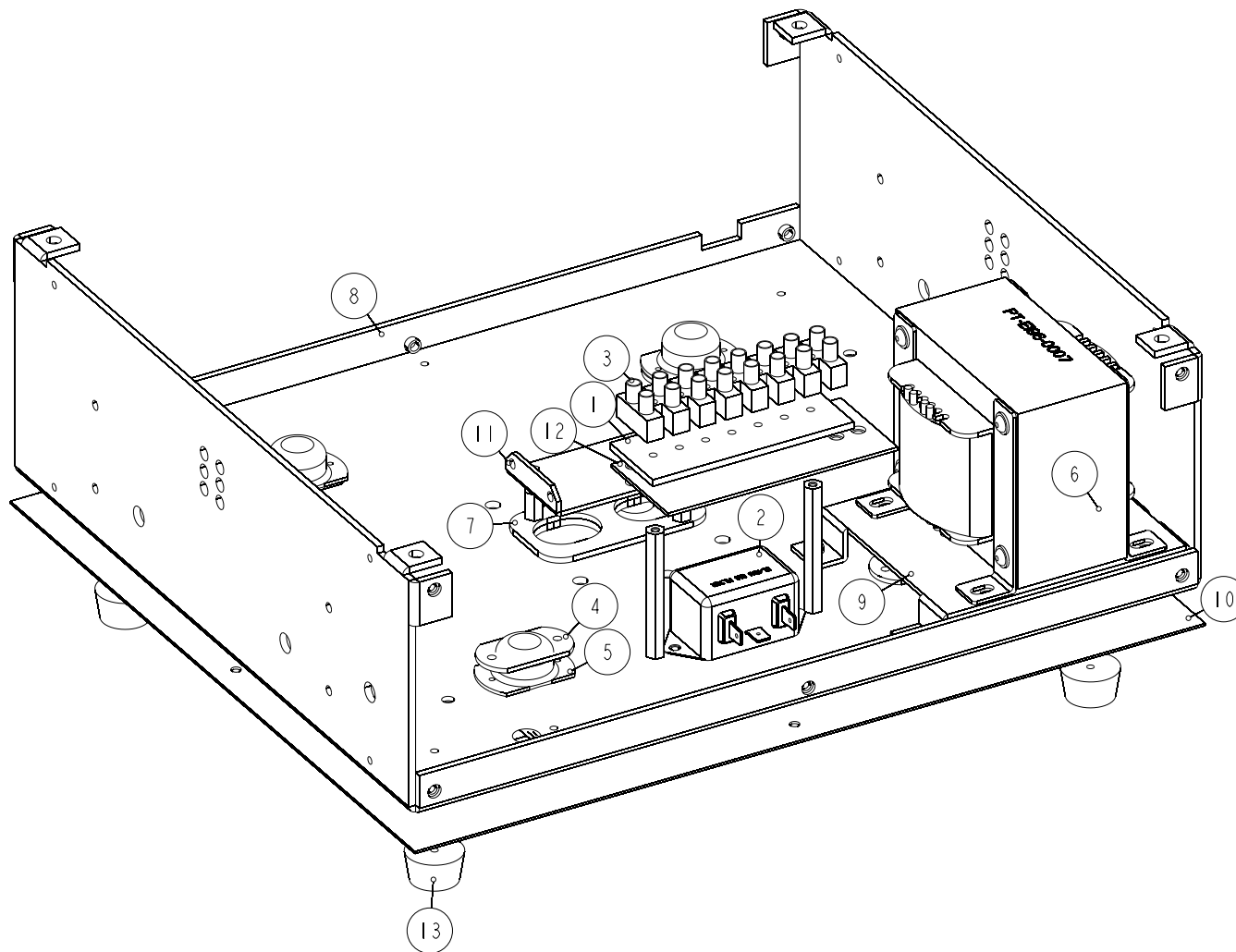
PRODUCT		<b>PHS-750E</b>			
PIC. NO.		<b>13-0044-00-00-00</b>			
EDIT		FILE NO.	GS-EXP-283A	PAGE NO.	1/34
CHECK		VERSION	NR	DATE	2007.08.17
APPROVE		ECN NO.		DATE	



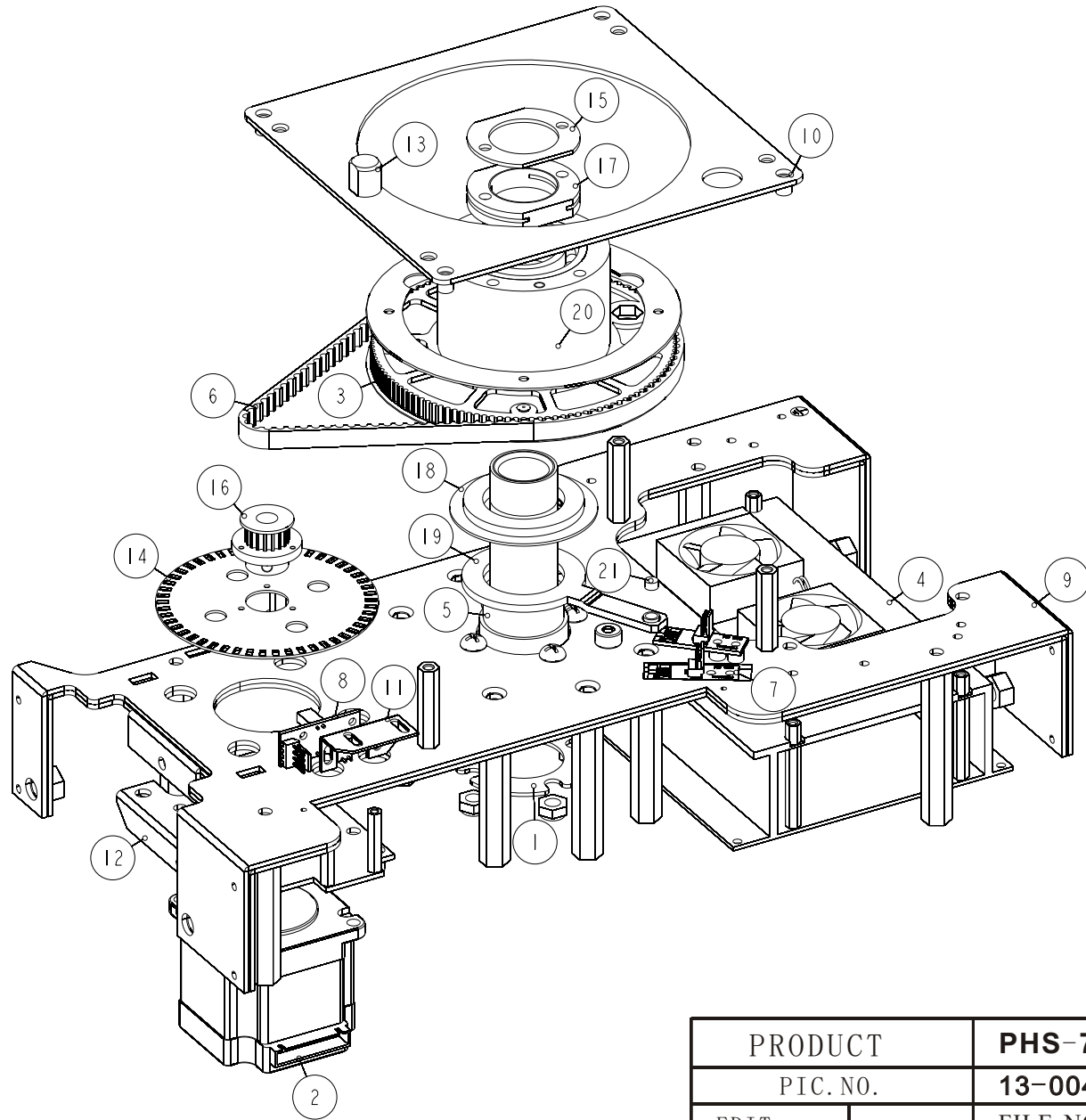
PRODUCT		<b>PHS-750E</b>			
PIC. NO.		<b>10-0033-00-00-SJK</b>			
EDIT		FILE NO.	GS-EXP-097A	PAGE NO.	2/34
CHECK		VERSION	NR	DATE	2007.08.17
APPROVE		ECN NO.		DATE	



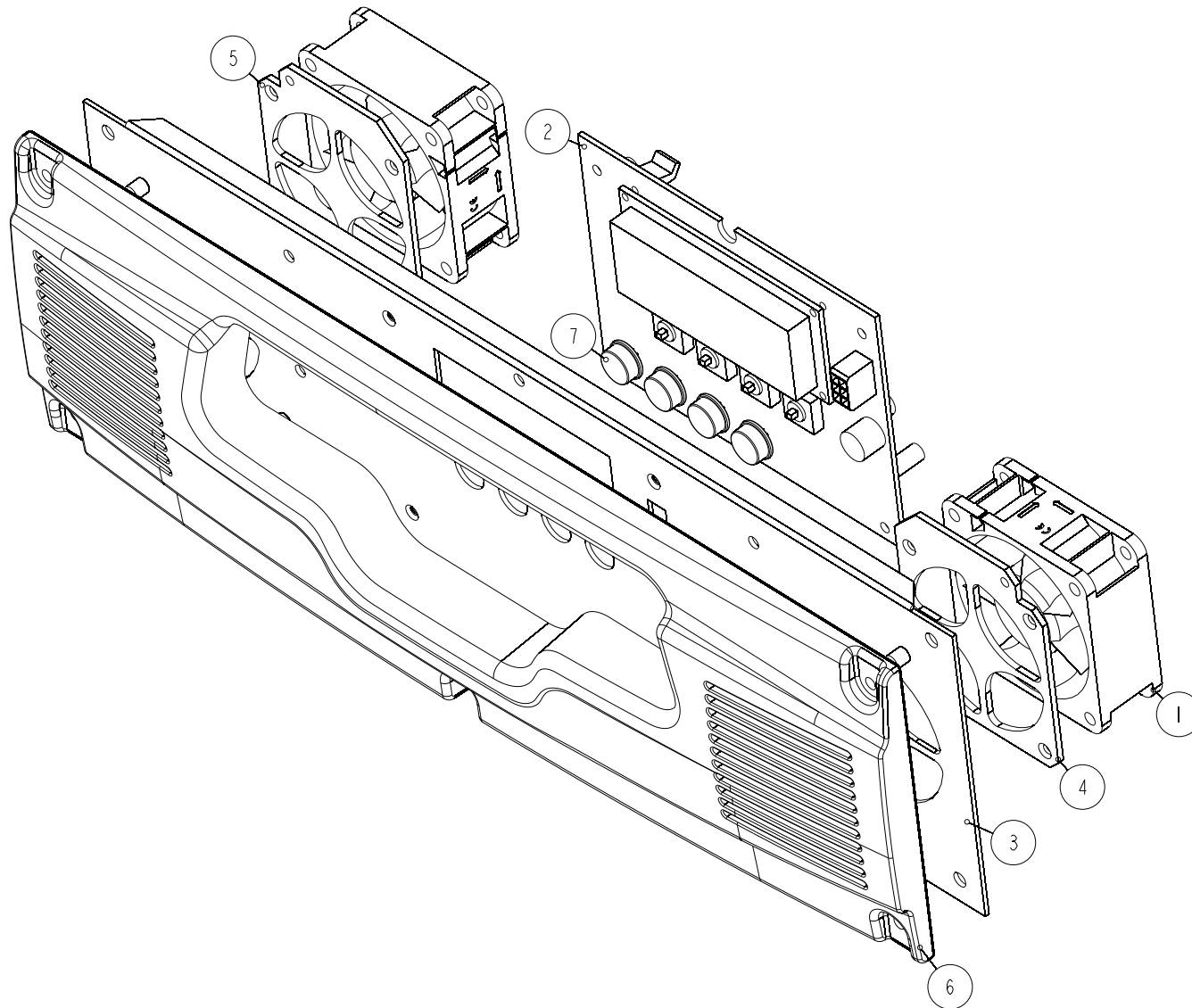
PRODUCT		<b>PHS-750E</b>			
PIC. NO.		<b>13-0044-01-00-00</b>			
EDIT		FILE NO.	GS-EXP-283A	PAGE NO.	3/34
CHECK		VERSION	NR	DATE	2007.08.17
APPROVE		ECN NO.		DATE	



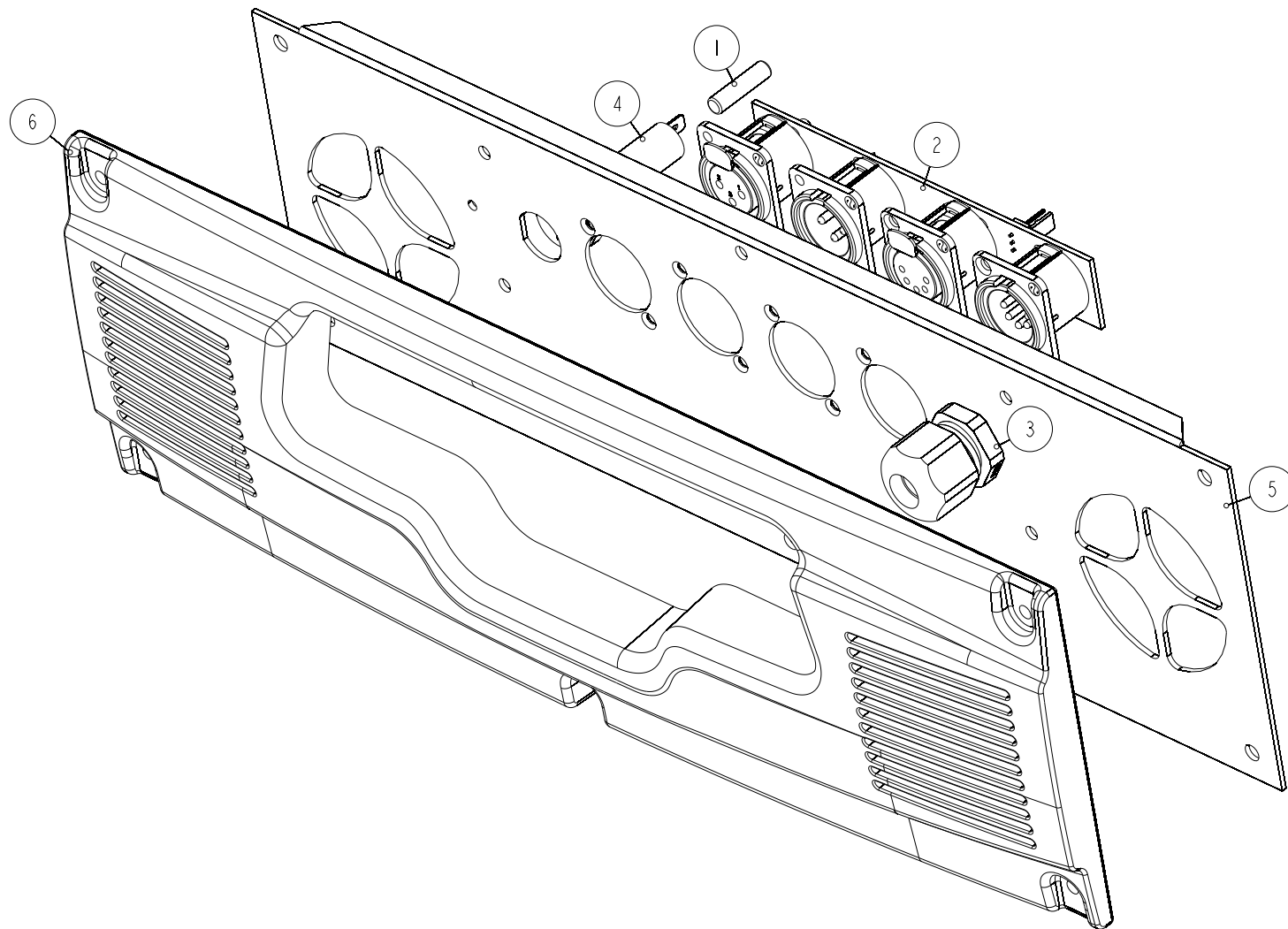
PRODUCT		<b>PHS-750E</b>			
PIC. NO.		<b>10-0033-01-01-00</b>			
EDIT		FILE NO.	GS-EXP-097A	PAGE NO.	4/34
CHECK		VERSION	NR	DATE	2007.08.17
APPROVE		ECN NO.		DATE	



PRODUCT		<b>PHS-750E</b>			
PIC. NO.		<b>13-0044-01-02-00</b>			
EDIT		FILE NO.	GS-EXP-097A	PAGE NO.	5/34
CHECK		VERSION	NR	DATE	2007.08.17
APPROVE		ECN NO.		DATE	

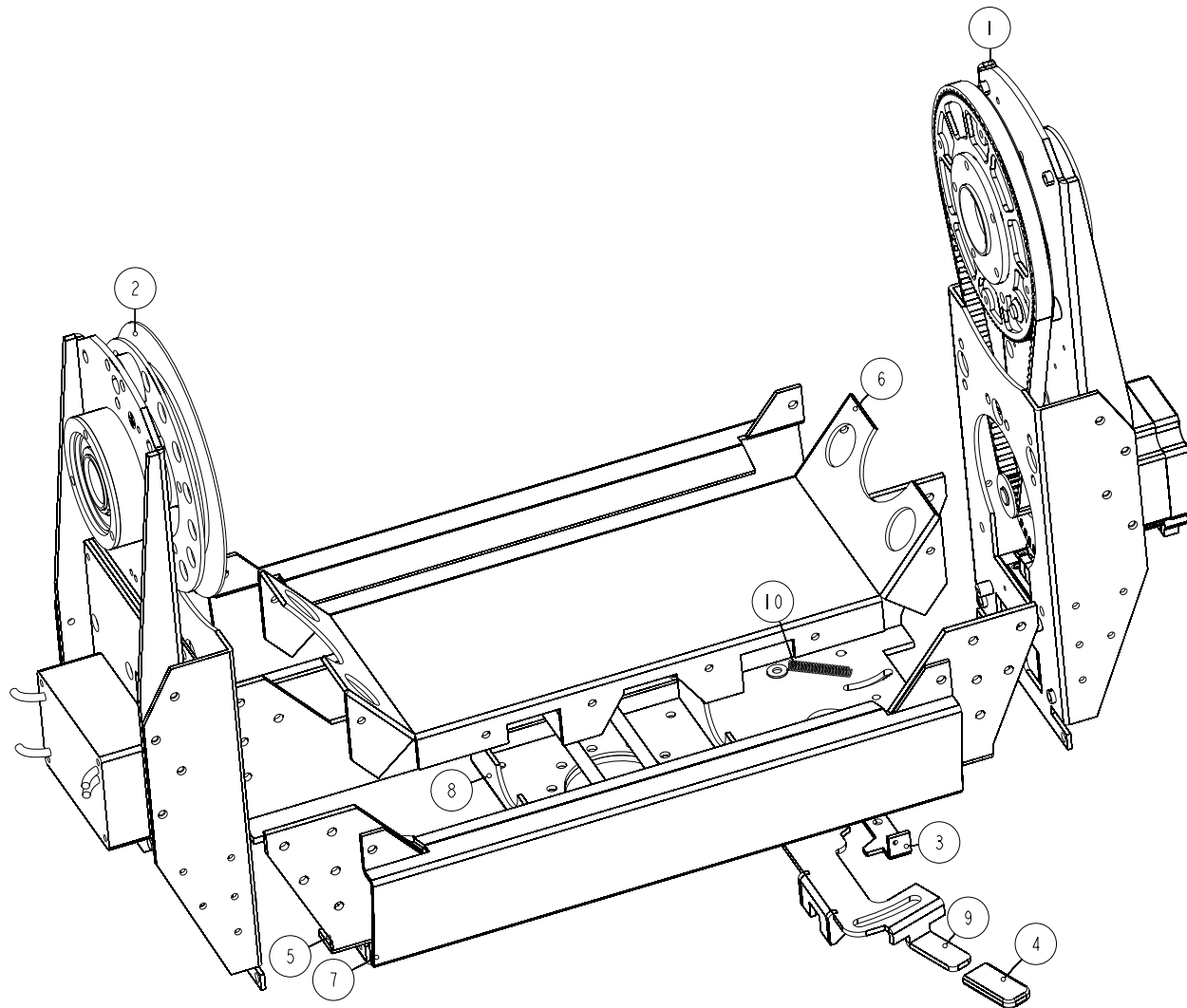


PRODUCT		<b>PHS-750E</b>			
PIC. NO.		<b>10-0033-01-03-00</b>			
EDIT		FILE NO.	GS-EXP-097A	PAGE NO.	6/34
CHECK		VERSION	NR	DATE	2007.08.17
APPROVE		ECN NO.		DATE	

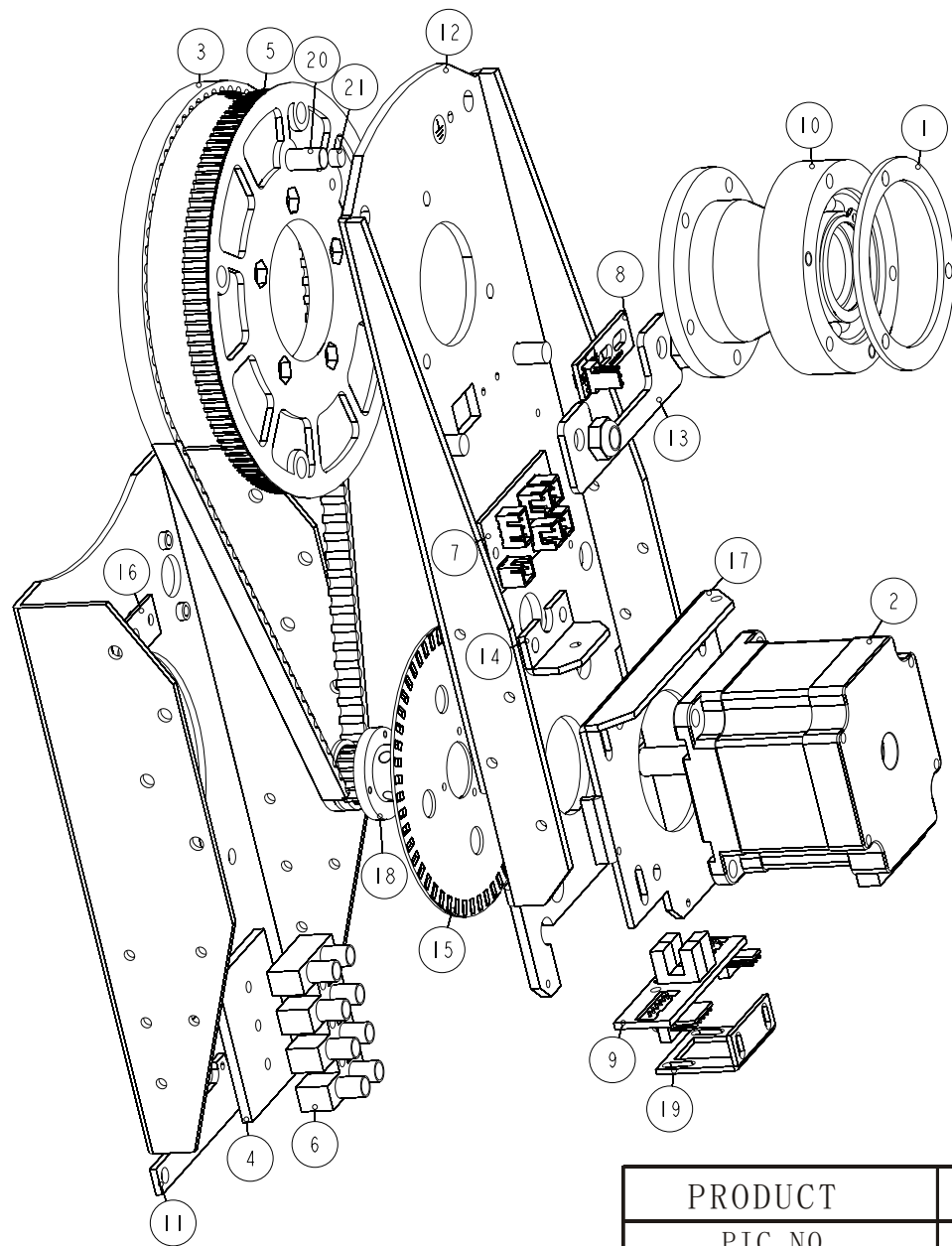


PRODUCT		<b>PHS-750E</b>			
PIC. NO.		<b>13-0044-01-04-00</b>			
EDIT		FILE NO.	GS-EXP-283A	PAGE NO.	7/34
CHECK		VERSION	NR	DATE	2007.08.17
APPROVE		ECN NO.		DATE	

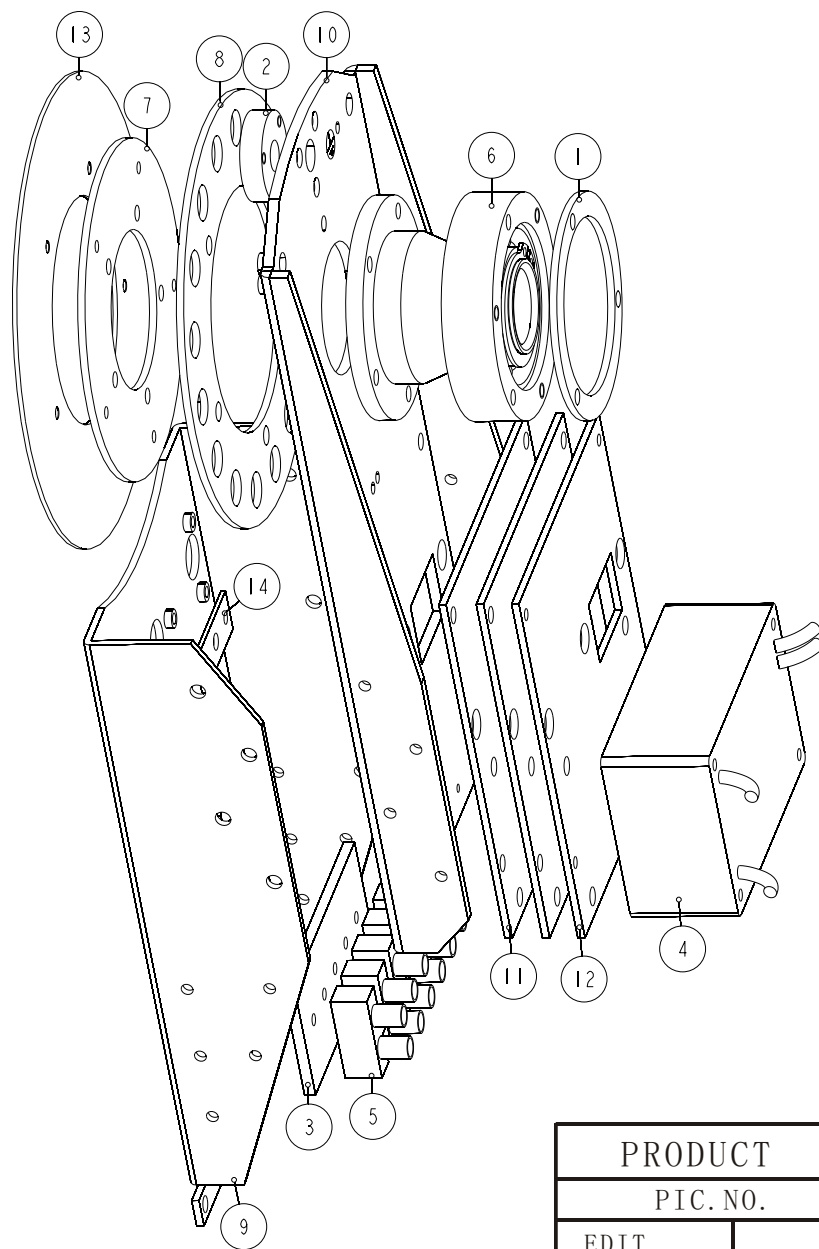




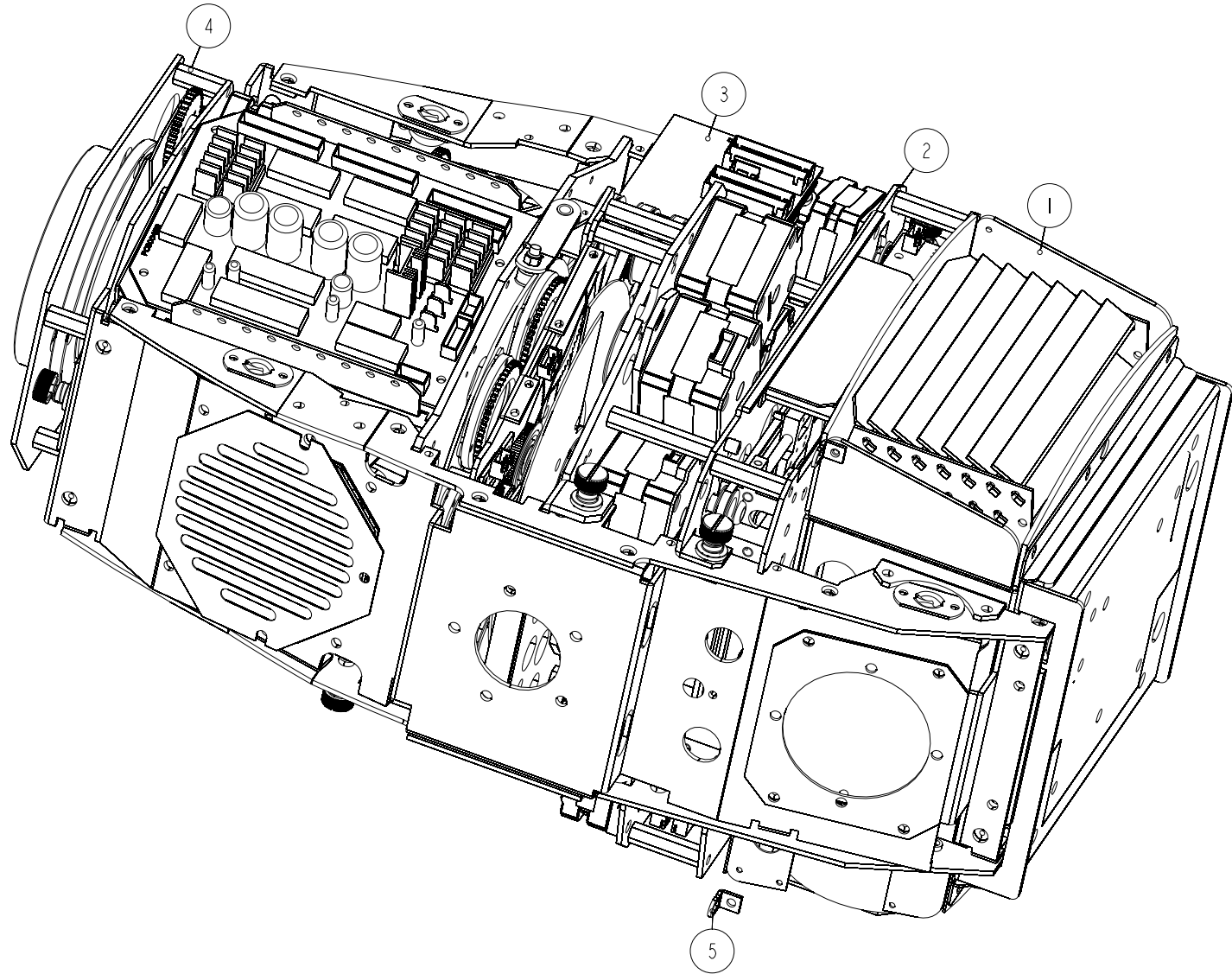
PRODUCT		<b>PHS-750E</b>			
PIC. NO.		<b>10-0033-03-00-00</b>			
EDIT		FILE NO.	GS-EXP-097A	PAGE NO.	8/34
CHECK		VERSION	NR	DATE	2007.08.17
APPROVE		ECN NO.		DATE	



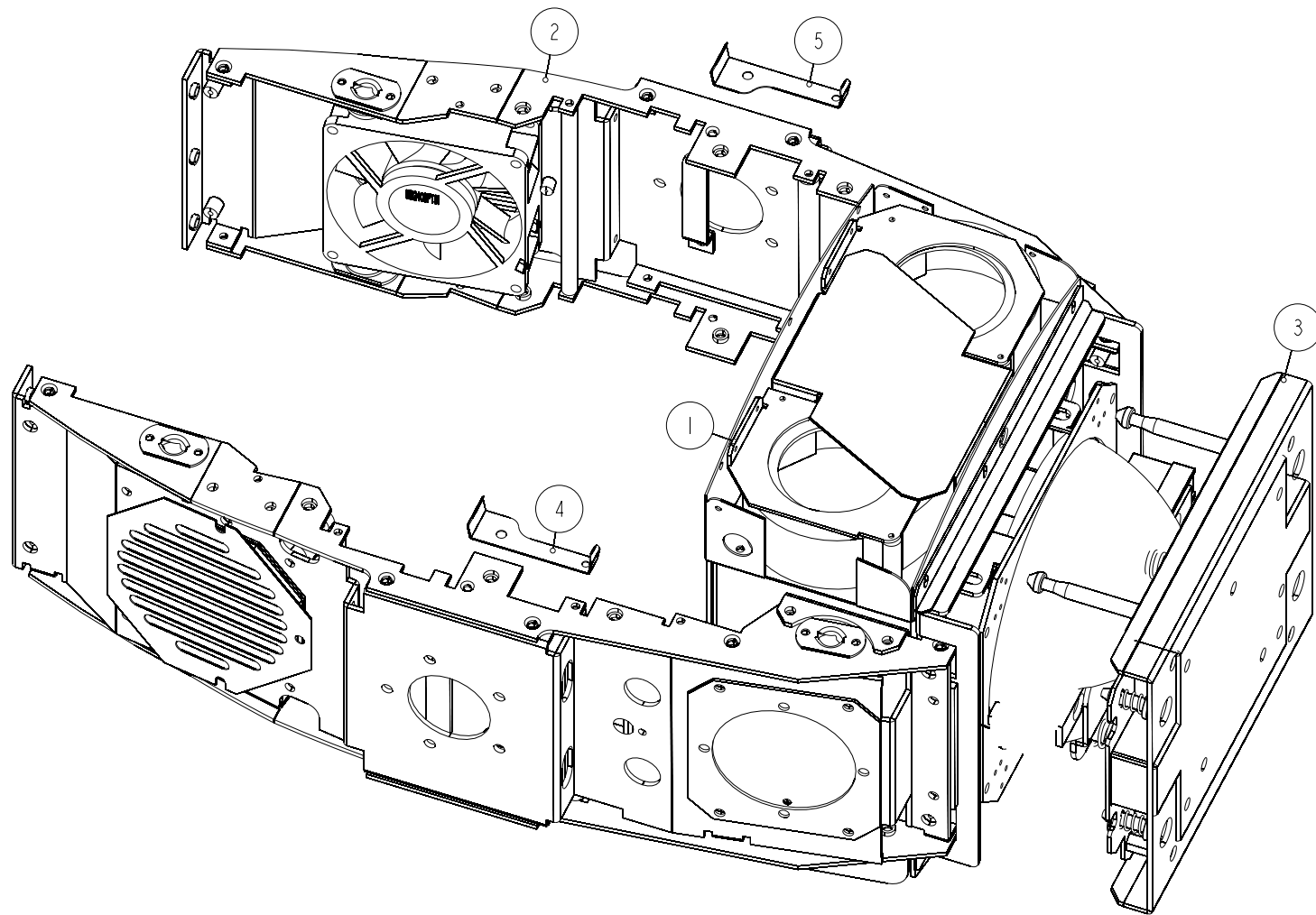
PRODUCT		<b>PHS-750E</b>			
PIC. NO.		<b>10-0033-03-01-00</b>			
EDIT		FILE NO.	GS-EXP-097A	PAGE NO.	9/34
CHECK		VERSION	NR	DATE	2007.08.17
APPROVE		ECN NO.		DATE	



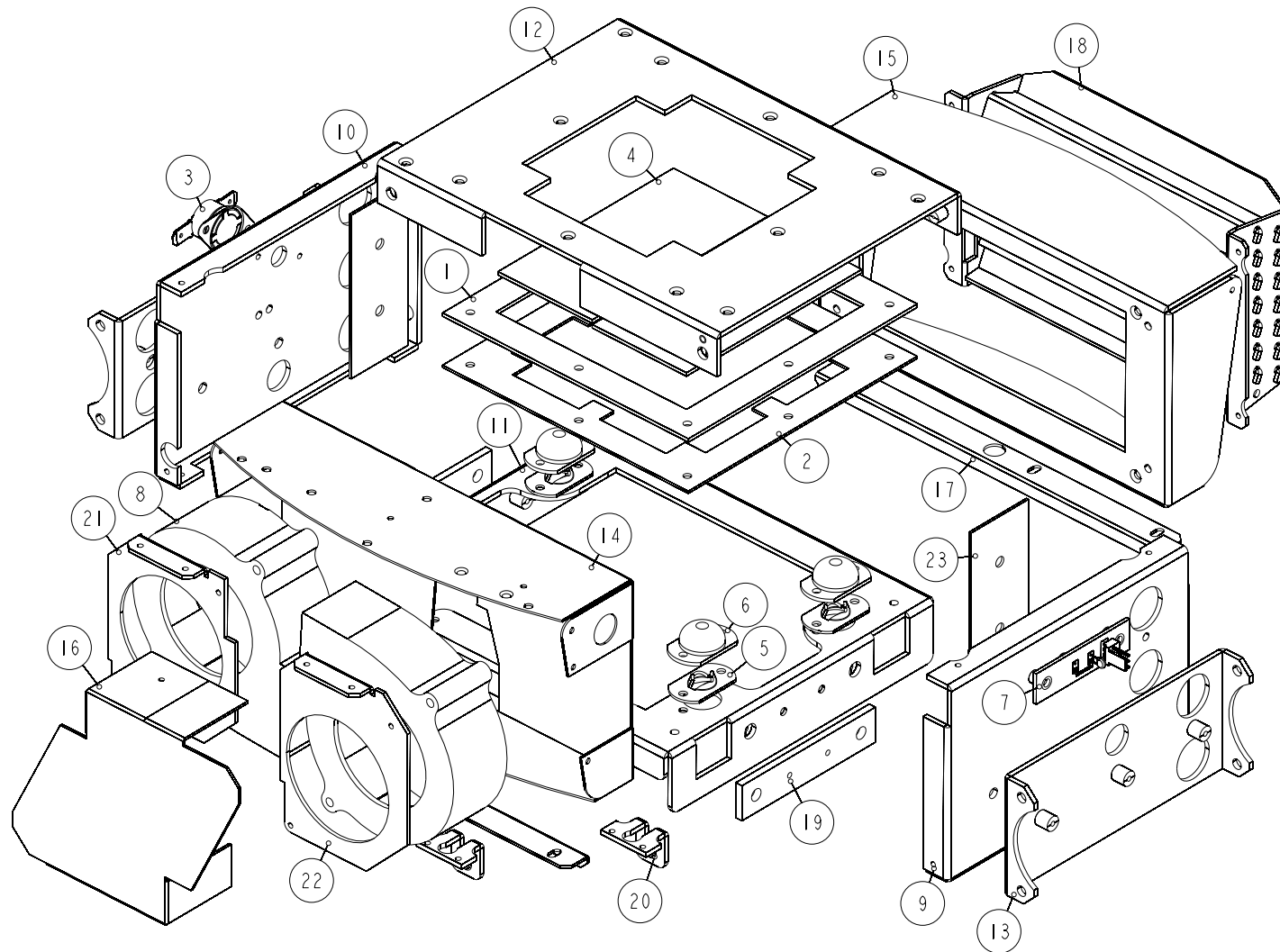
PRODUCT		<b>PHS-750E</b>			
PIC. NO.		<b>10-0033-03-02-00</b>			
EDIT		FILE NO.	GS-EXP-097A	PAGE NO.	10/34
CHECK		VERSION	NR	DATE	2007.08.17
APPROVE		ECN NO.		DATE	



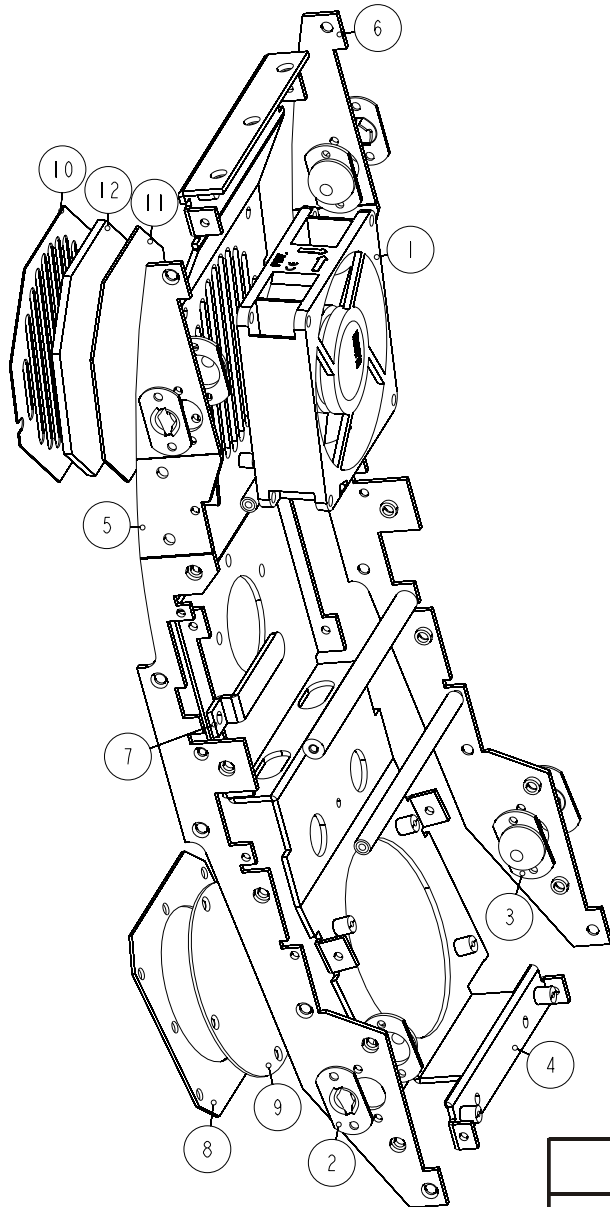
PRODUCT		<b>PHS-750E</b>			
PIC. NO.		<b>13-0044-04-00-00</b>			
EDIT		FILE NO.	GS-EXP-283A	PAGE NO.	11/34
CHECK		VERSION	NR	DATE	2007.08.17
APPROVE		ECN NO.		DATE	



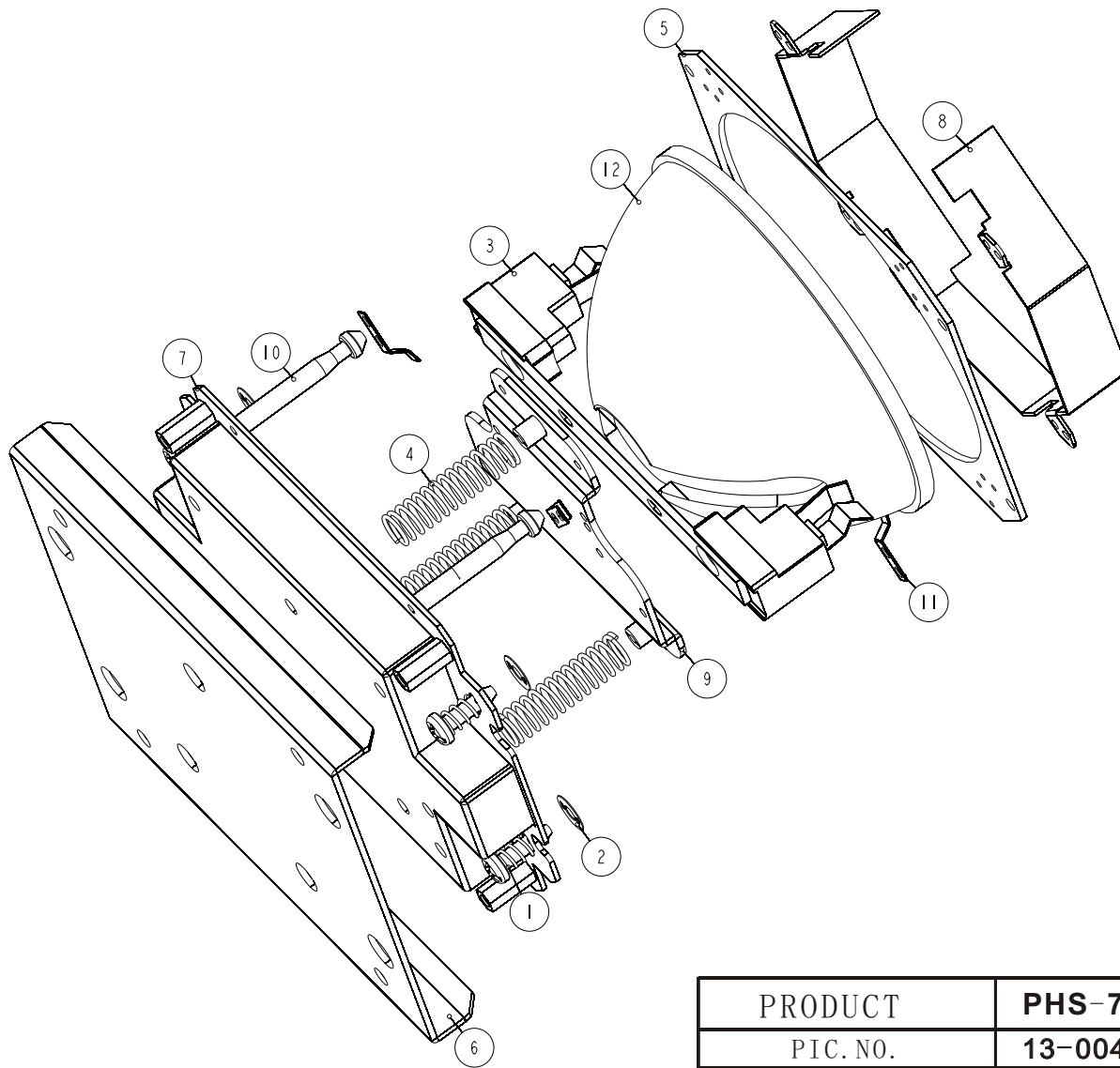
PRODUCT		<b>PHS-750E</b>			
PIC. NO.		<b>13-0044-04-01-00</b>			
EDIT		FILE NO.	GS-EXP-283A	PAGE NO.	12/34
CHECK		VERSION	NR	DATE	2007.08.17
APPROVE		ECN NO.		DATE	



PRODUCT		<b>PHS-750E</b>			
PIC. NO.		<b>13-0044-04-01-01</b>			
EDIT		FILE NO.	GS-EXP-283A	PAGE NO.	13/34
CHECK		VERSION	NR	DATE	2007.08.17
APPROVE		ECN NO.		DATE	

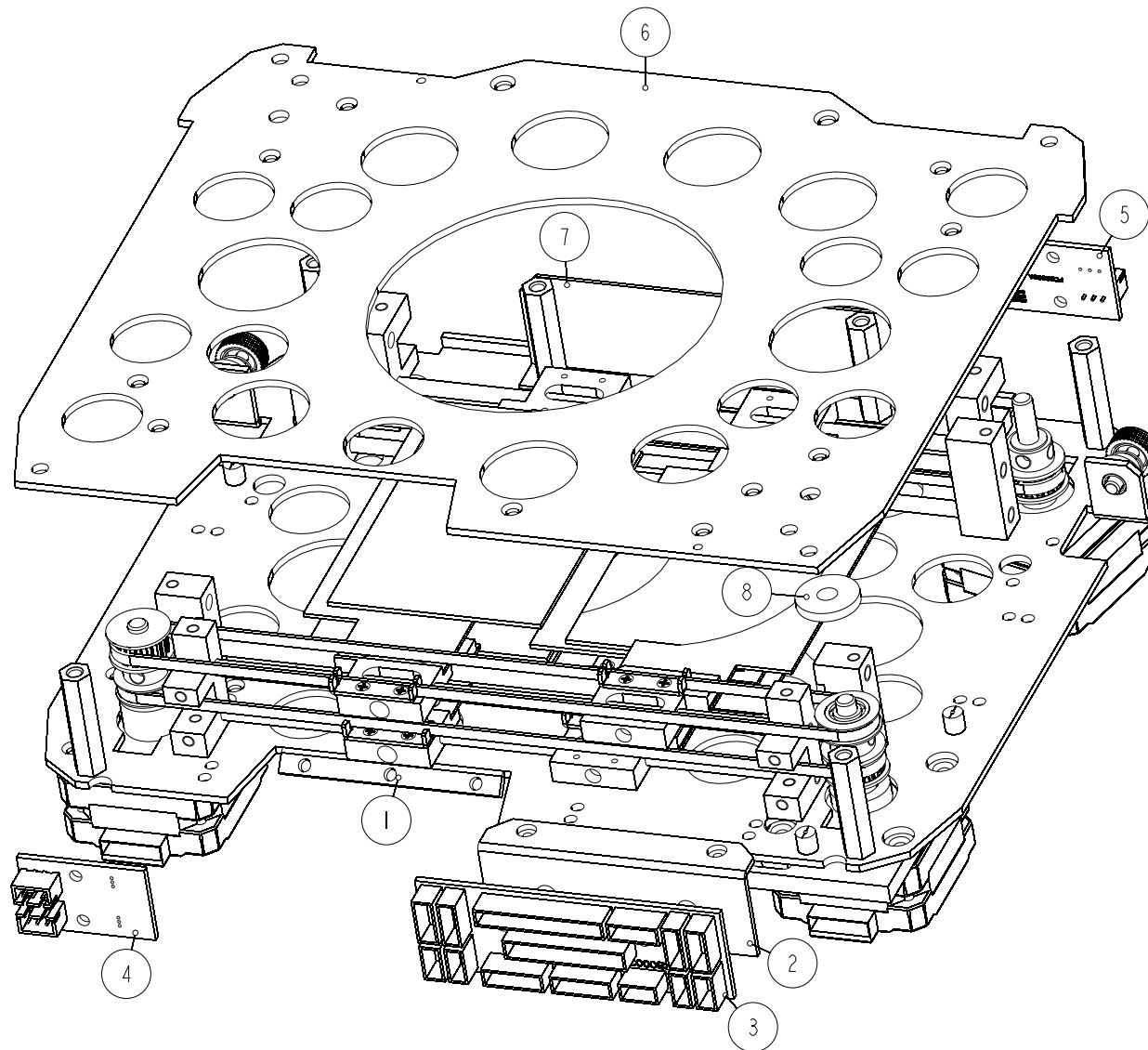


PRODUCT		<b>PHS-750E</b>			
PIC. NO.		<b>10-0033-04-01-02</b>			
EDIT		FILE NO.	GS-EXP-097A	PAGE NO.	14/34
CHECK		VERSION	NR	DATE	2007.08.17
APPROVE		ECN NO.		DATE	

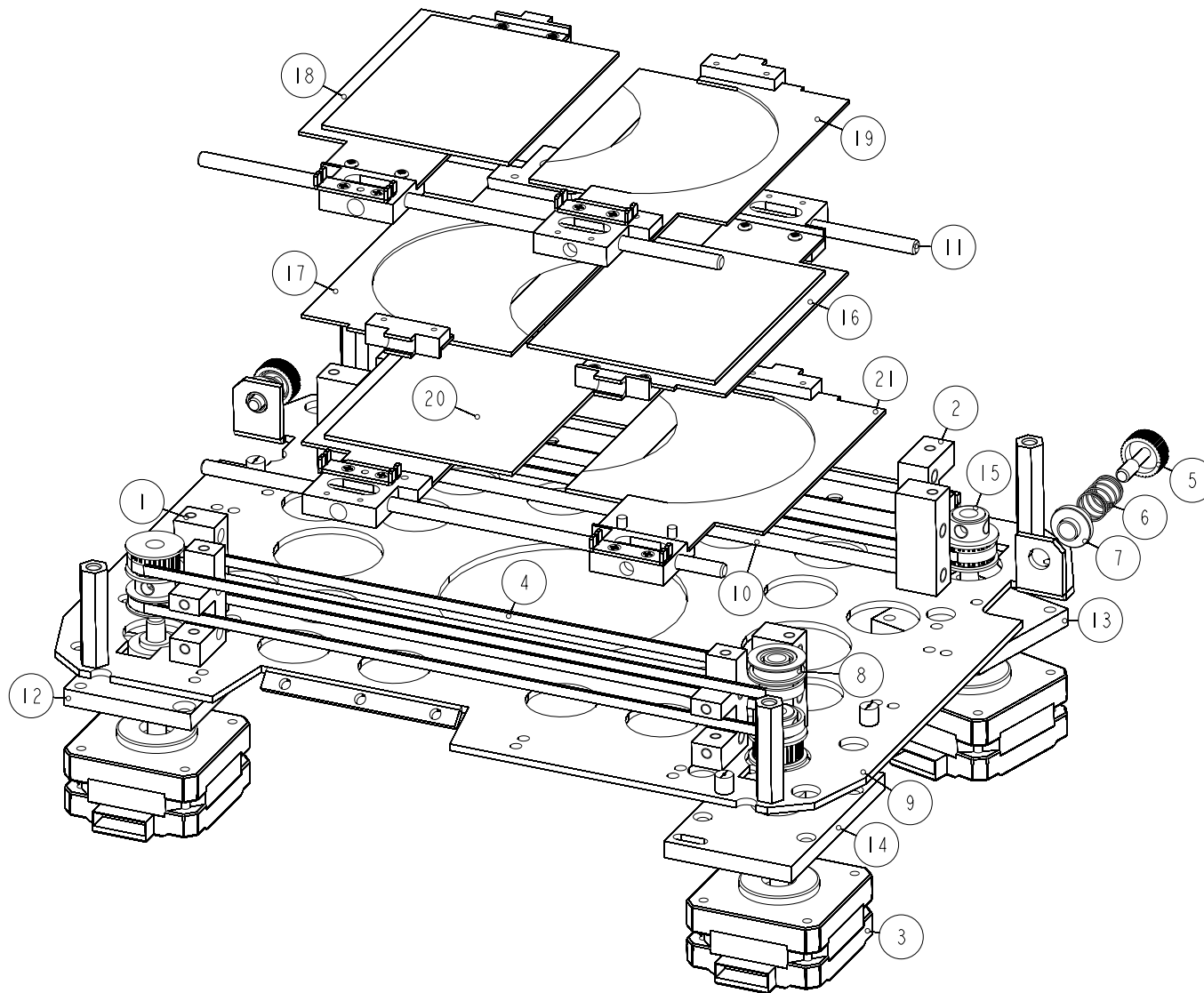


PRODUCT		<b>PHS-750E</b>			
PIC. NO.		<b>13-0044-04-01-03</b>			
EDIT		FILE NO.	GS-EXP-283A	PAGE NO.	15/34
CHECK		VERSION	NR	DATE	2007.08.17
APPROVE		ECN NO.		DATE	

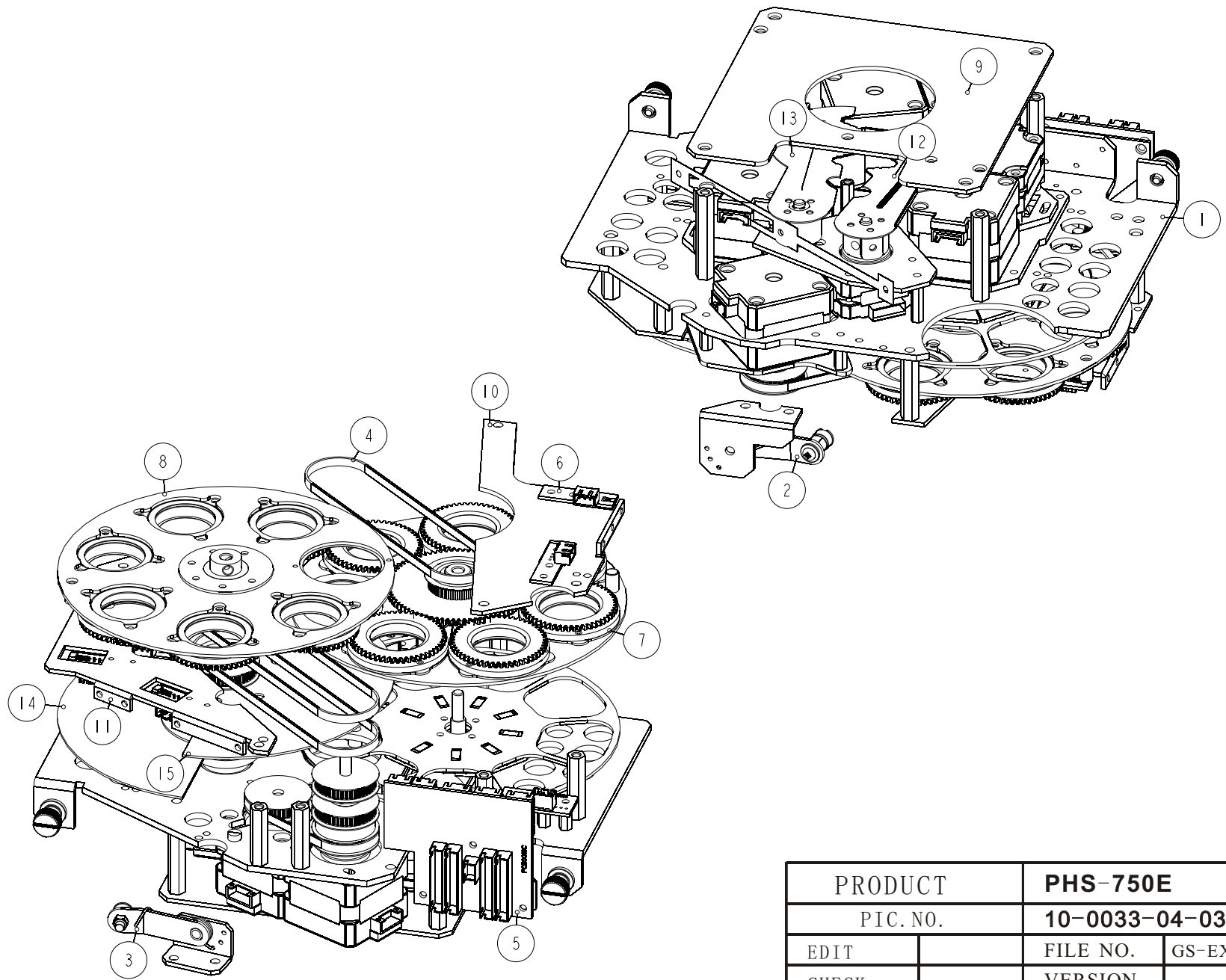




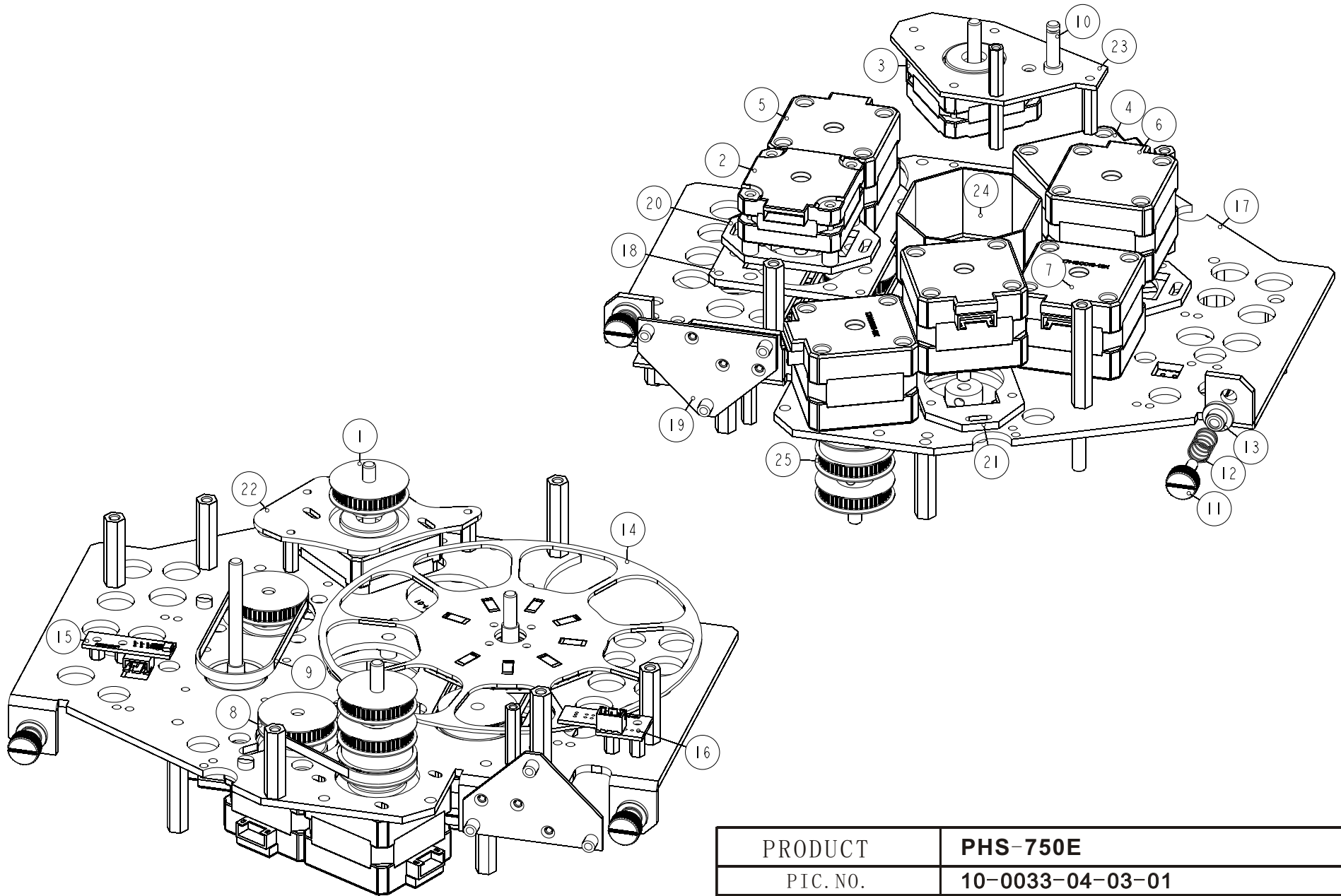
PRODUCT		<b>PHS-750E</b>			
PIC. NO.		<b>10-0033-04-02-00</b>			
EDIT		FILE NO.	GS-EXP-097A	PAGE NO.	16/34
CHECK		VERSION	NR	DATE	2007.08.17
APPROVE		ECN NO.		DATE	



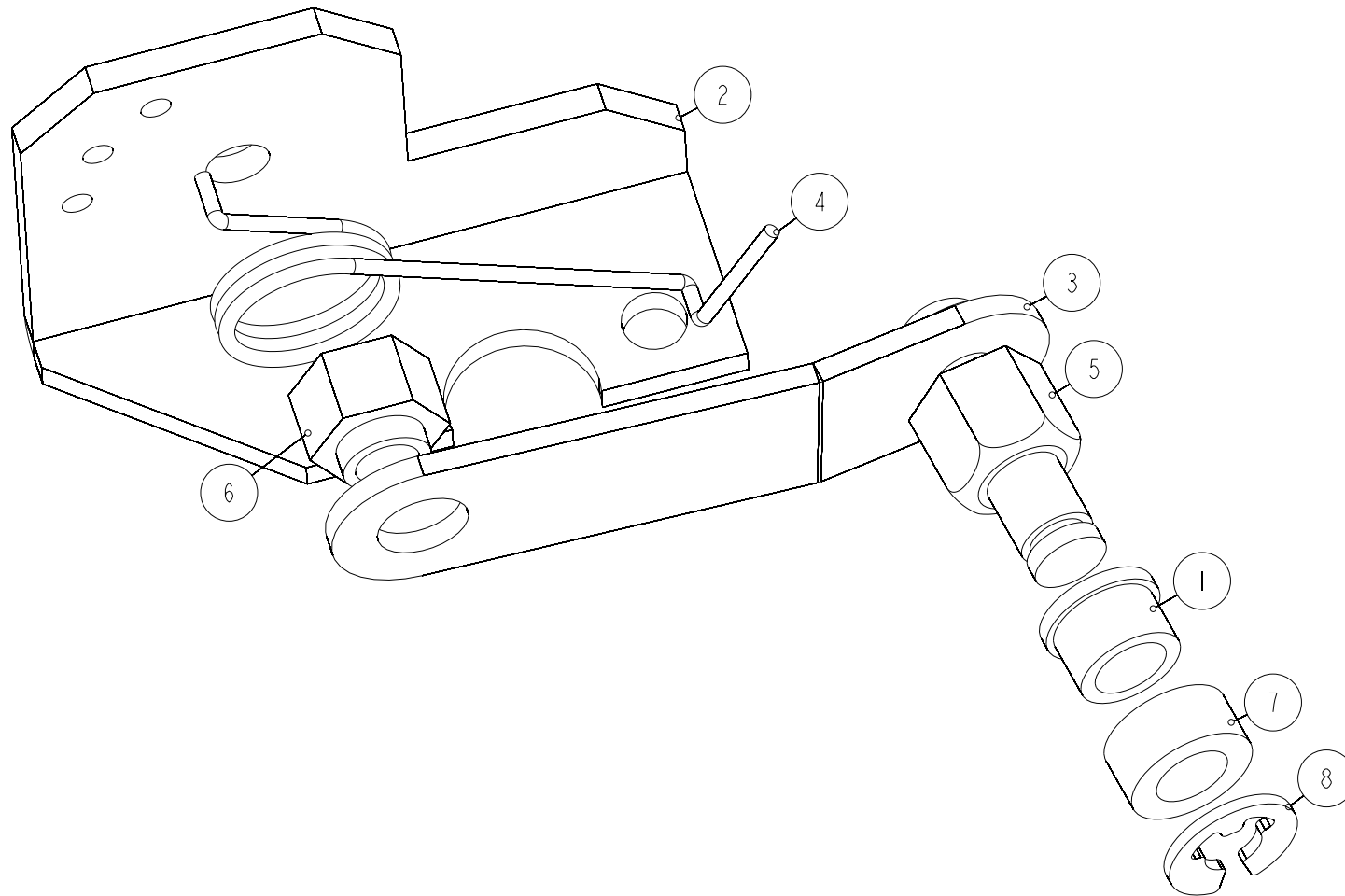
PRODUCT		<b>PHS-750E</b>			
PIC. NO.		<b>10-0033-04-02-01</b>			
EDIT		FILE NO.	GS-EXP-097A	PAGE NO.	17/34
CHECK		VERSION	NR	DATE	2007.08.17
APPROVE		ECN NO.		DATE	



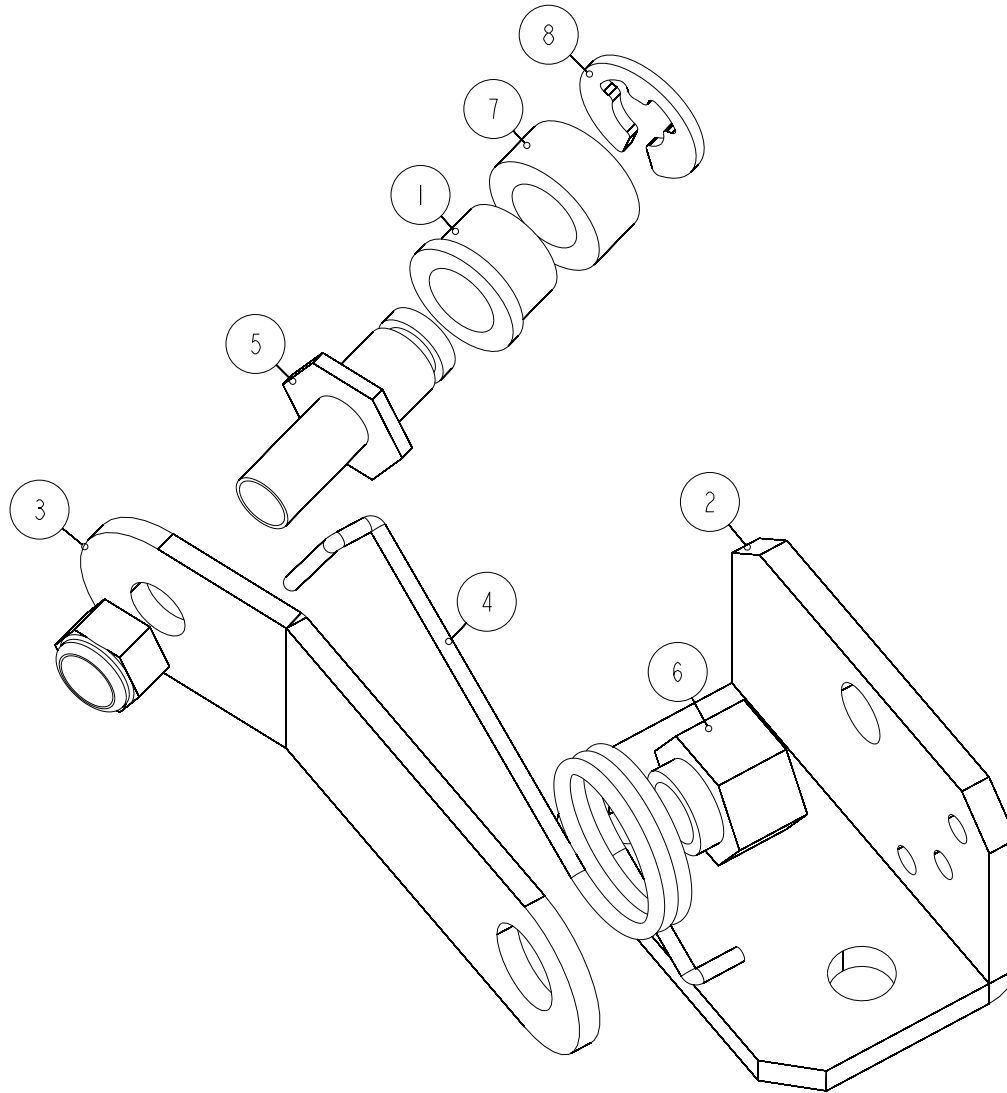
PRODUCT		<b>PHS-750E</b>			
PIC. NO.		<b>10-0033-04-03-00</b>			
EDIT		FILE NO.	GS-EXP-097A	PAGE NO.	18/34
CHECK		VERSION	NR	DATE	2007.08.17
APPROVE		ECN NO.		DATE	



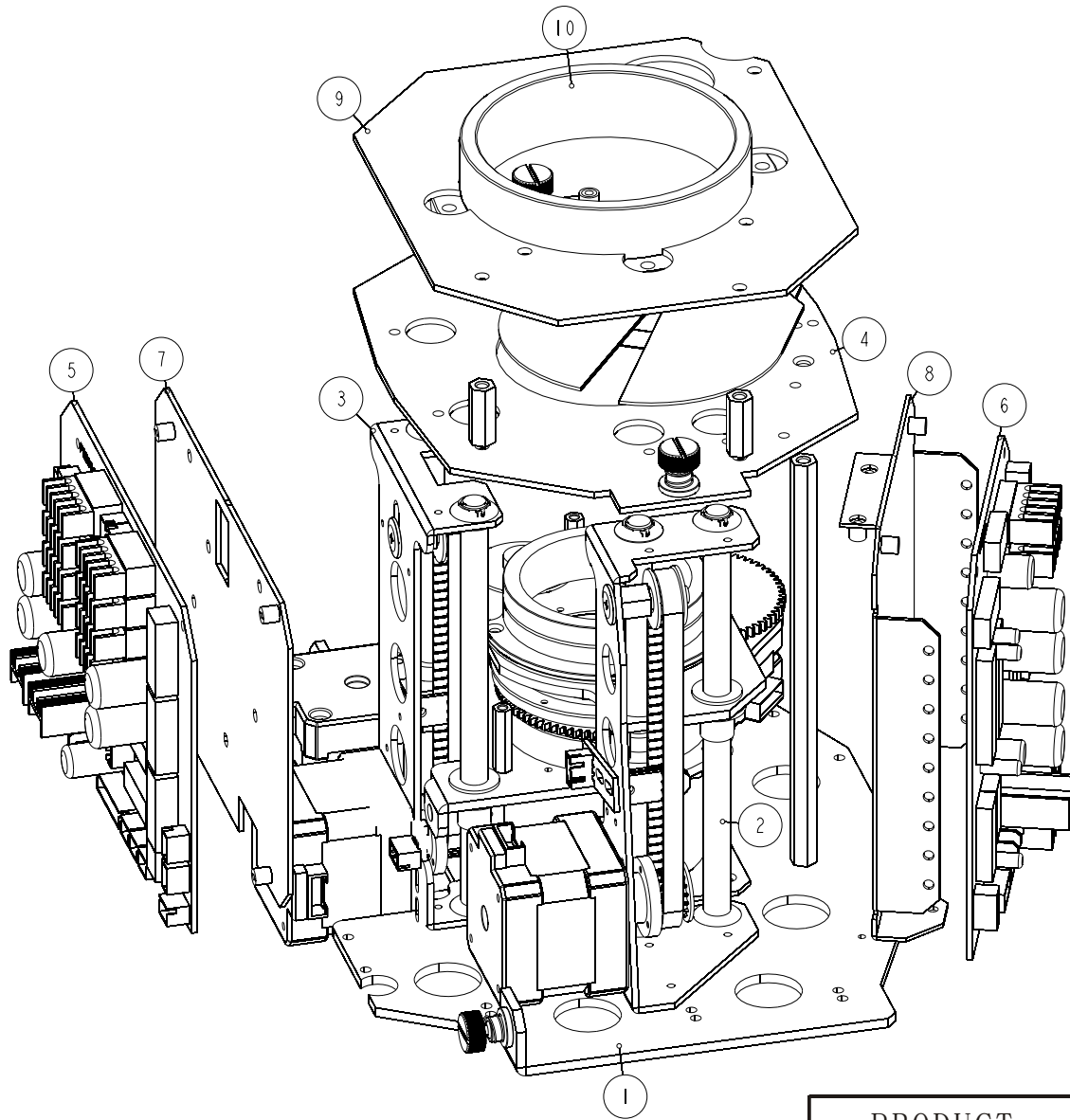
PRODUCT		<b>PHS-750E</b>			
PIC. NO.		<b>10-0033-04-03-01</b>			
EDIT		FILE NO.	GS-EXP-097A	PAGE NO.	19/34
CHECK		VERSION	NR	DATE	2007.08.17
APPROVE		ECN NO.		DATE	



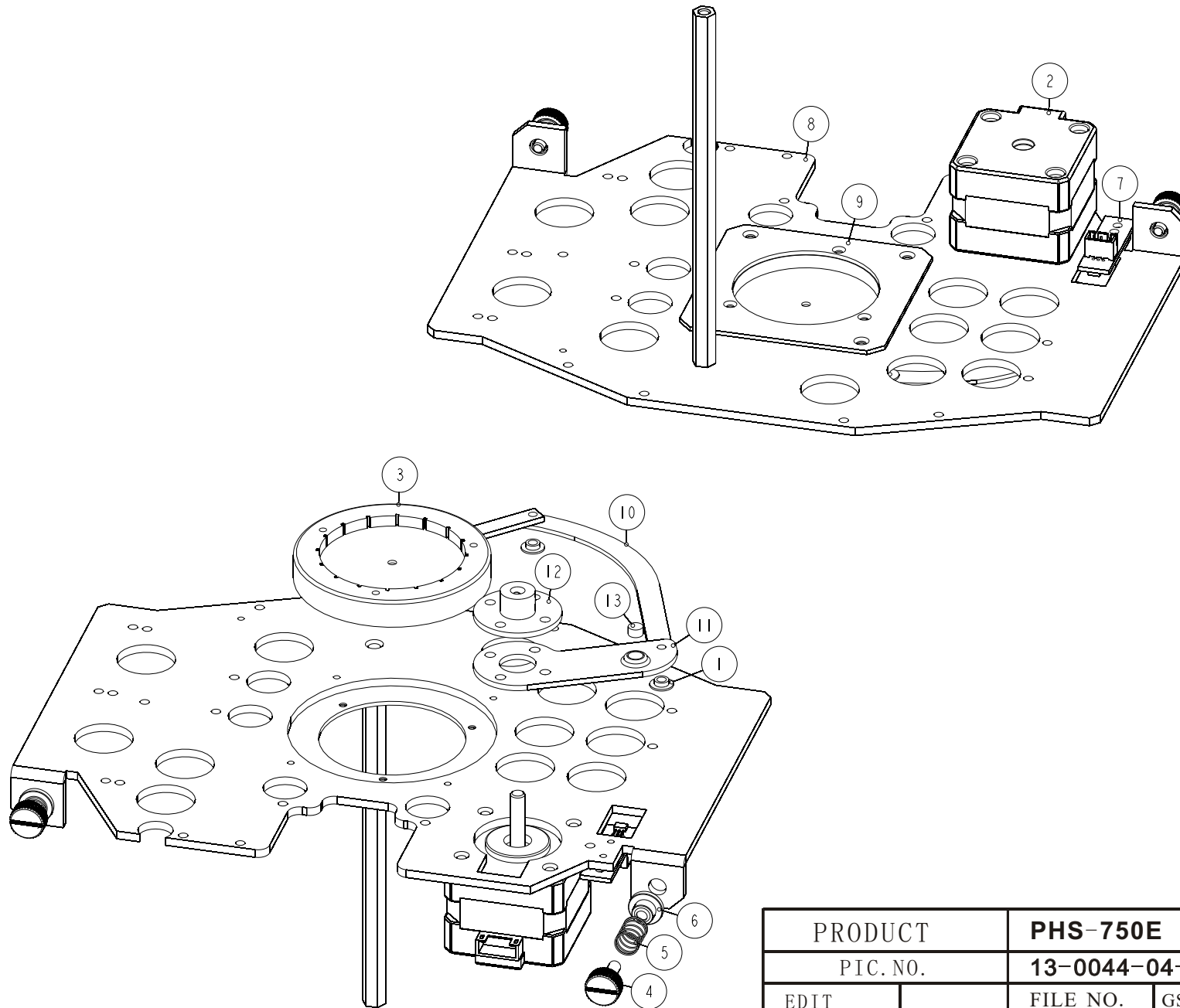
PRODUCT		<b>PHS-750E</b>			
PIC. NO.		<b>V575S-03-4-20_A00</b>			
EDIT		FILE NO.	GS-EXP-283A	PAGE NO.	20/34
CHECK		VERSION	NR	DATE	2007.08.17
APPROVE		ECN NO.		DATE	



PRODUCT		<b>PHS-750E</b>			
PIC. NO.		<b>V575S-03-4-21_A00</b>			
EDIT		FILE NO.	GS-EXP-283A	PAGE NO.	21/34
CHECK		VERSION	NR	DATE	2007.08.17
APPROVE		ECN NO.		DATE	

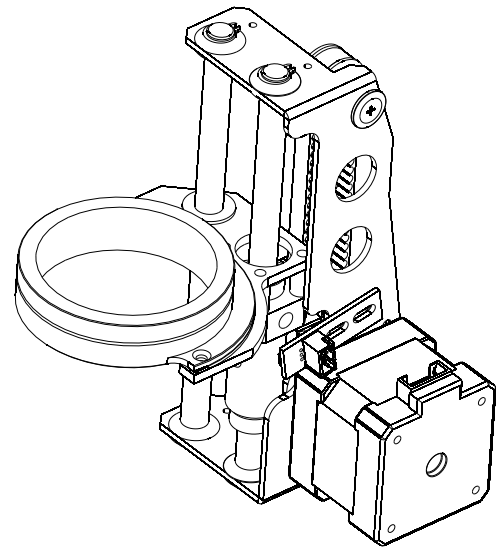
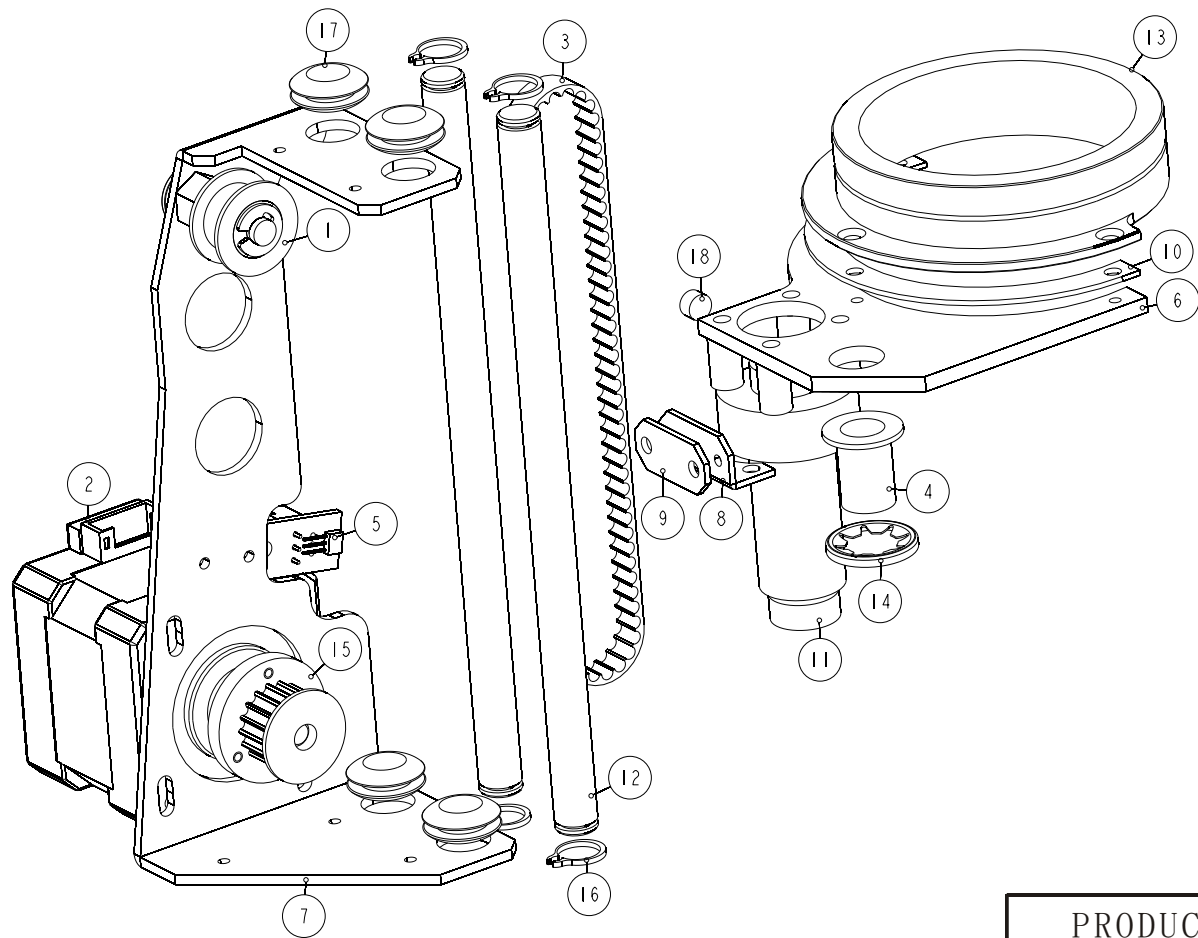


PRODUCT		<b>PHS-750E</b>			
PIC. NO.		<b>13-0044-04-04-00</b>			
EDIT		FILE NO.	GS-EXP-283A	PAGE NO.	22/34
CHECK		VERSION	NR	DATE	2007.08.17
APPROVE		ECN NO.		DATE	

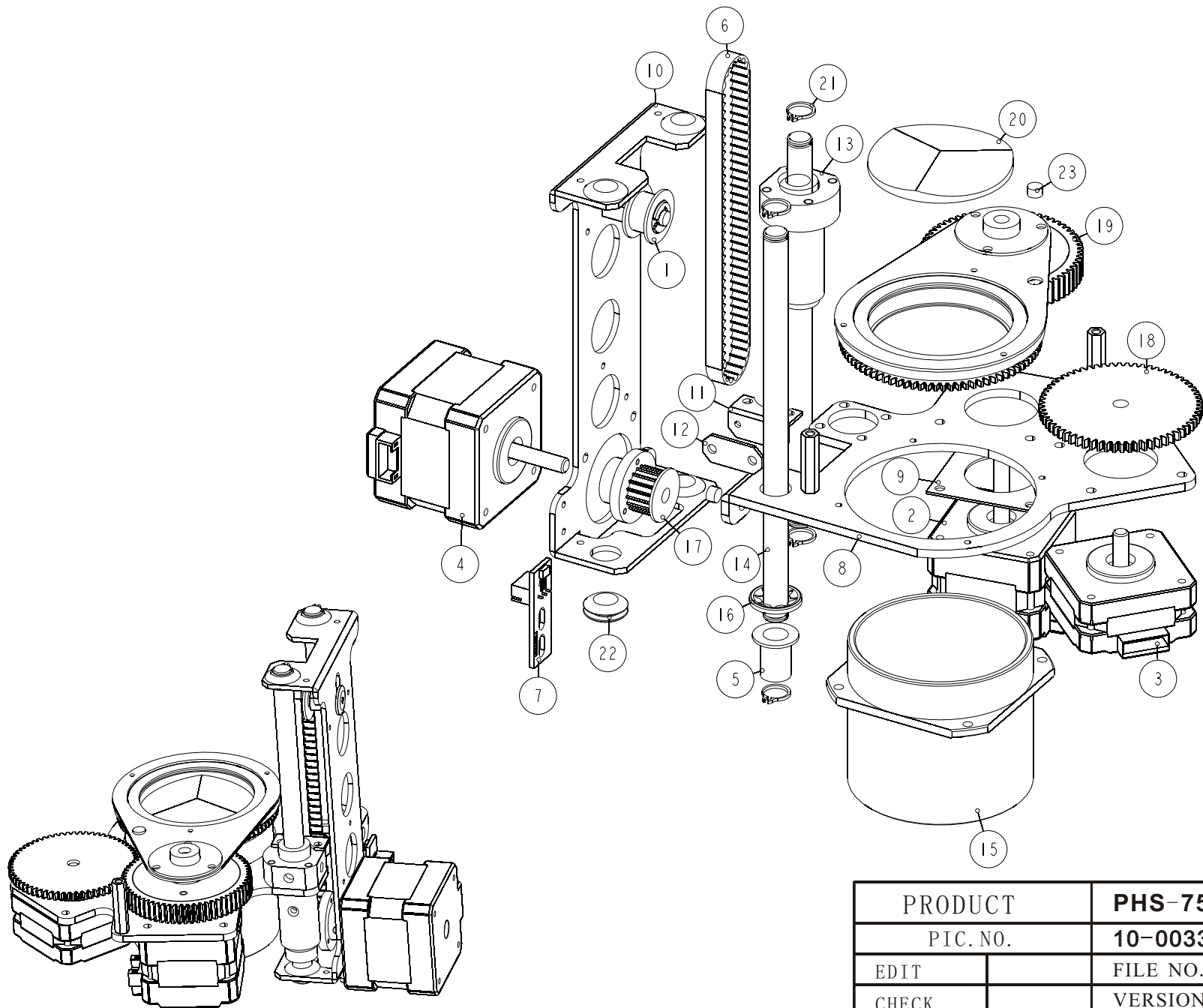


PRODUCT		<b>PHS-750E</b>			
PIC. NO.		<b>13-0044-04-04-01</b>			
EDIT		FILE NO.	GS-EXP-283A	PAGE NO.	23/34
CHECK		VERSION	NR	DATE	2007.08.17
APPROVE		ECN NO.		DATE	

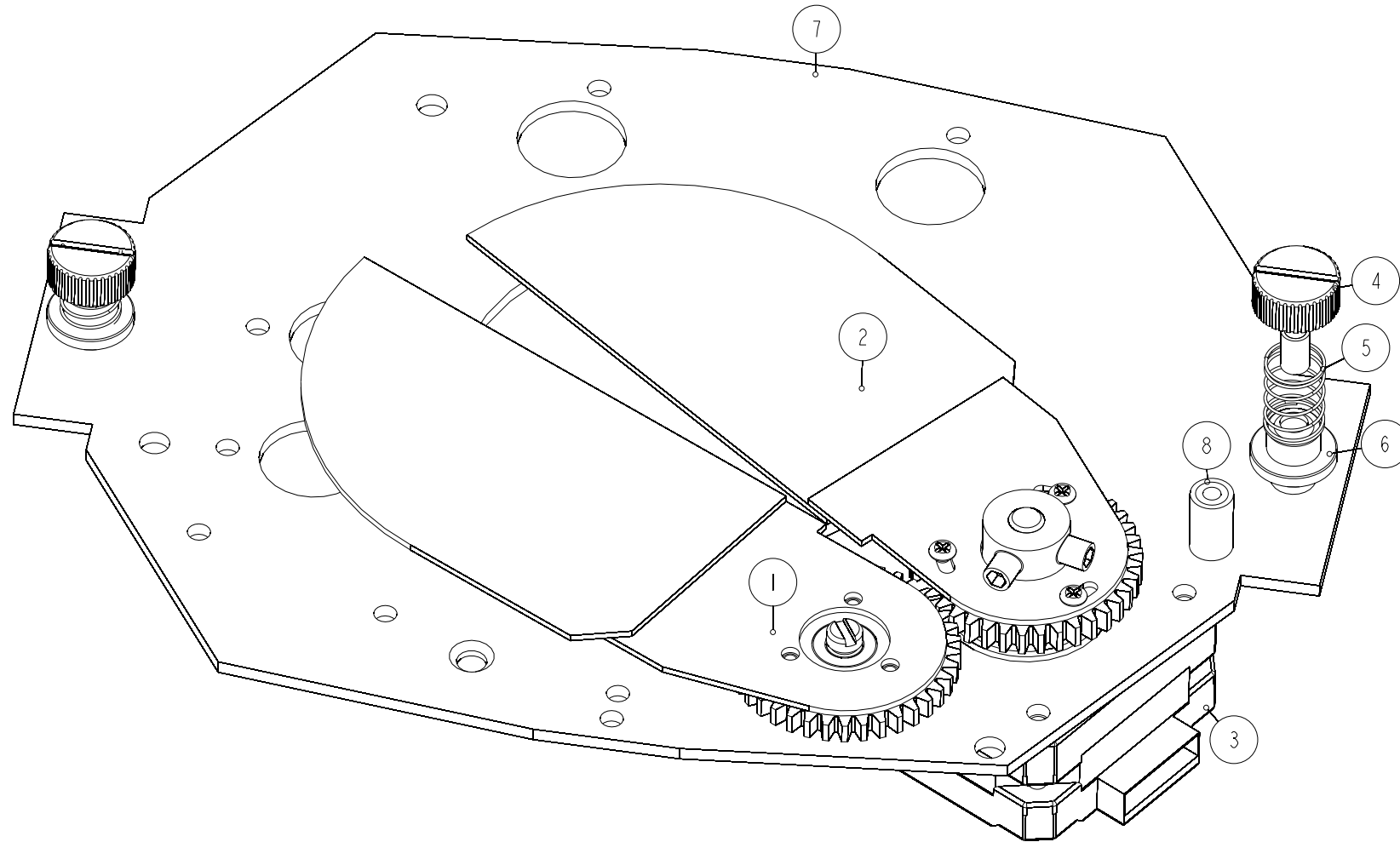




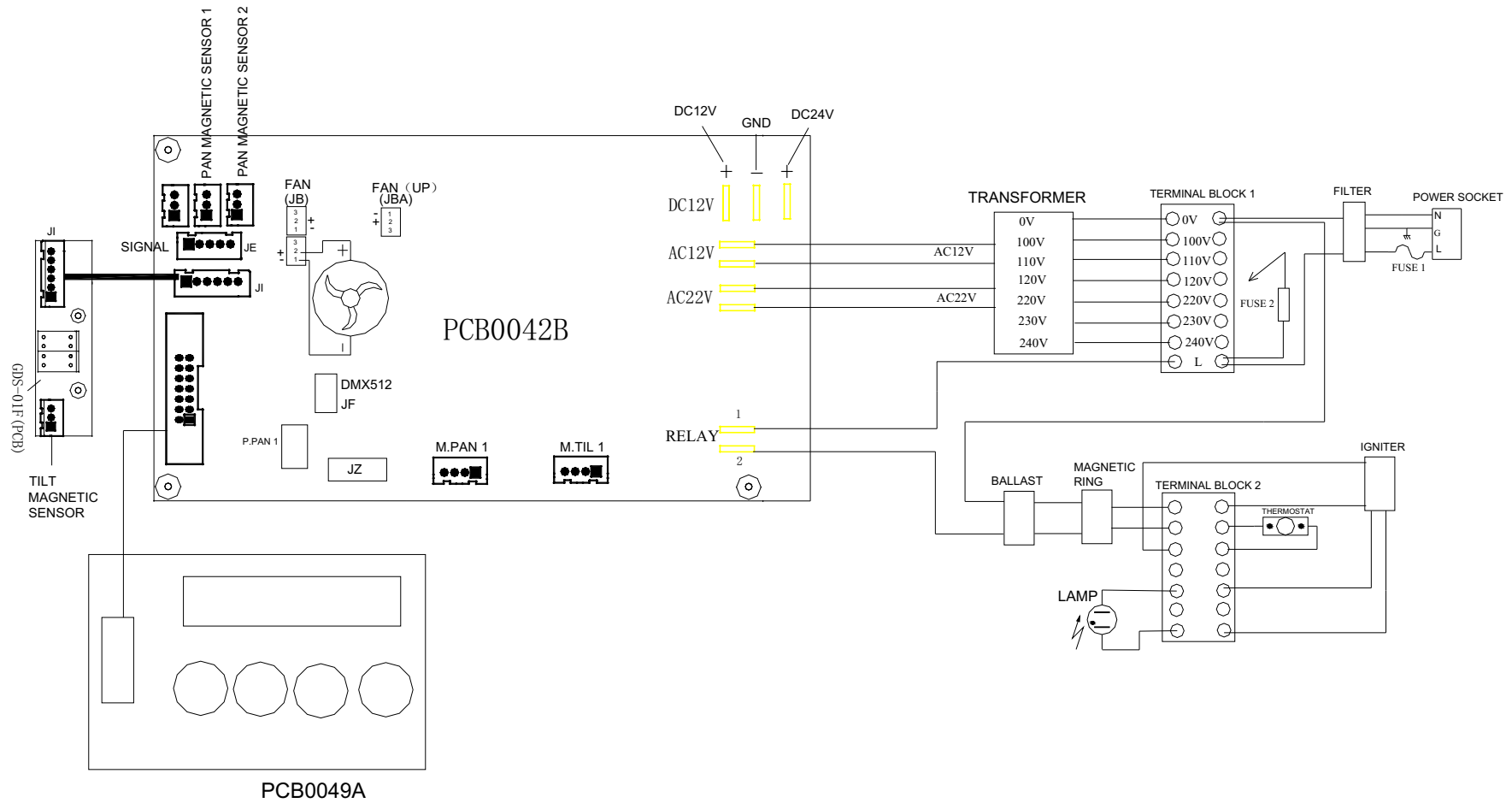
PRODUCT		<b>PHS-750E</b>			
PIC. NO.		<b>10-0033-04-04-02</b>			
EDIT		FILE NO.	GS-EXP-097A	PAGE NO.	24/34
CHECK		VERSION	NR	DATE	2007.08.17
APPROVE		ECN NO.		DATE	



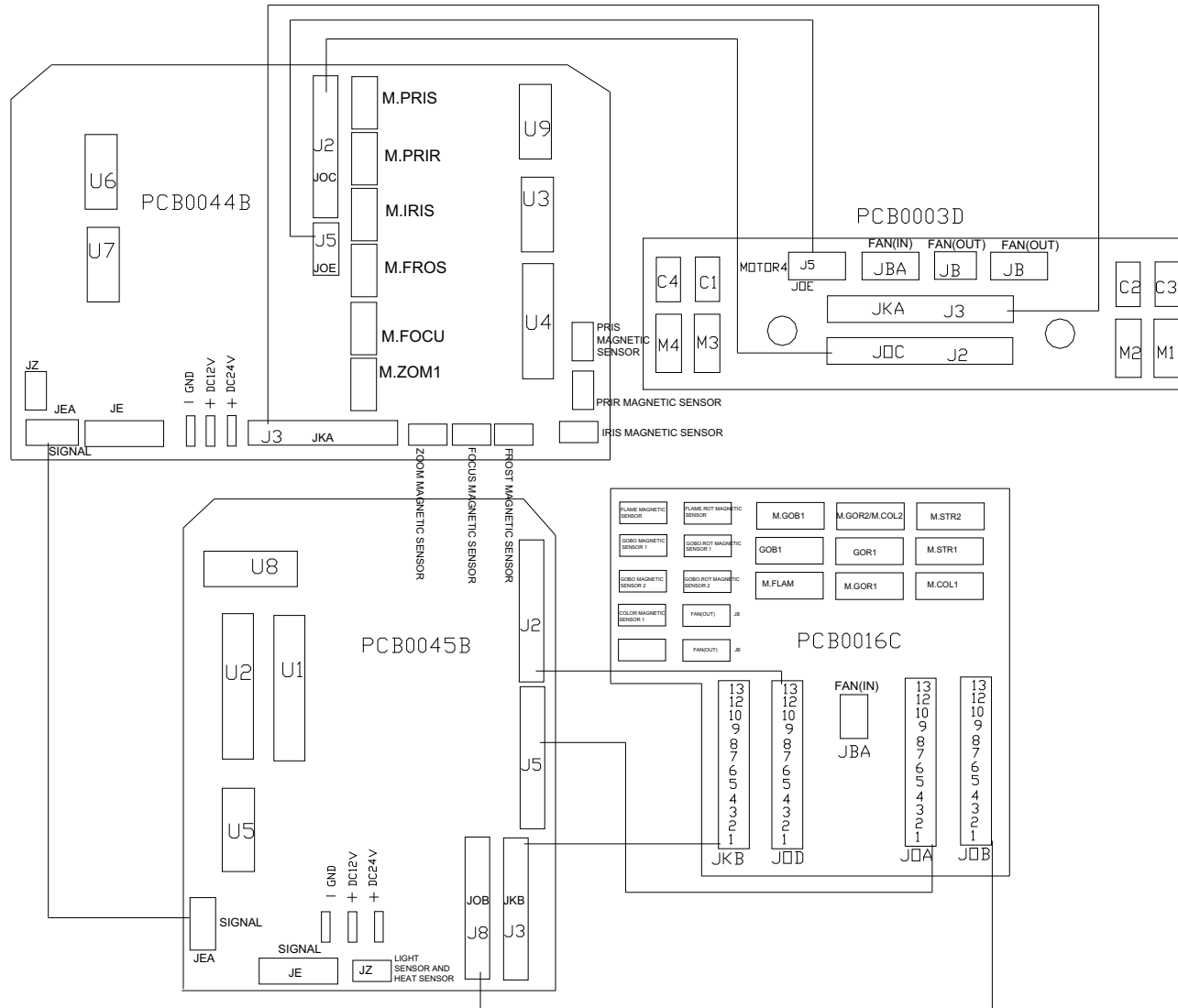
PRODUCT		<b>PHS-750E</b>			
PIC. NO.		<b>10-0033-04-04-03</b>			
EDIT		FILE NO.	GS-EXP-097A	PAGE NO.	25/34
CHECK		VERSION	NR	DATE	2007.08.17
APPROVE		ECN NO.		DATE	



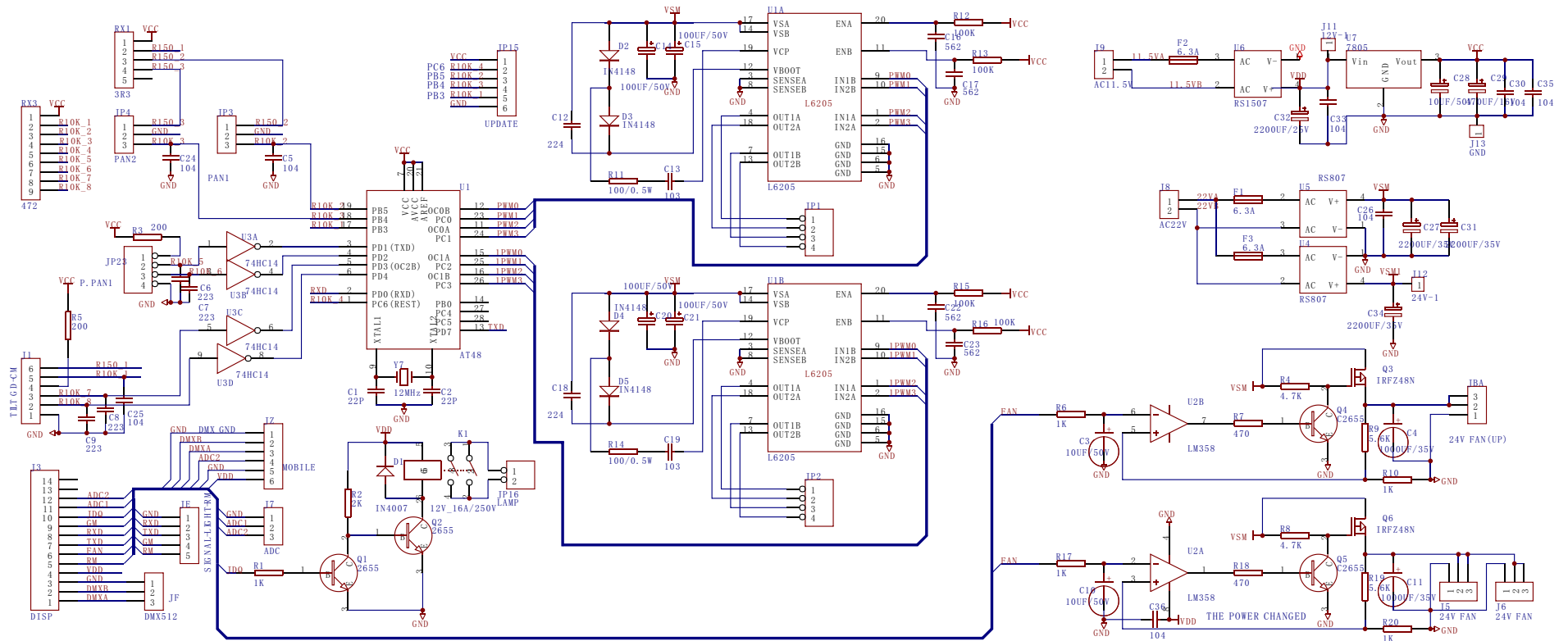
PRODUCT		<b>PHS-750E</b>			
PIC. NO.		<b>10-0033-04-04-04</b>			
EDIT		FILE NO.	GS-EXP-097A	PAGE NO.	26/34
CHECK		VERSION	NR	DATE	2007.08.17
APPROVE		ECN NO.		DATE	



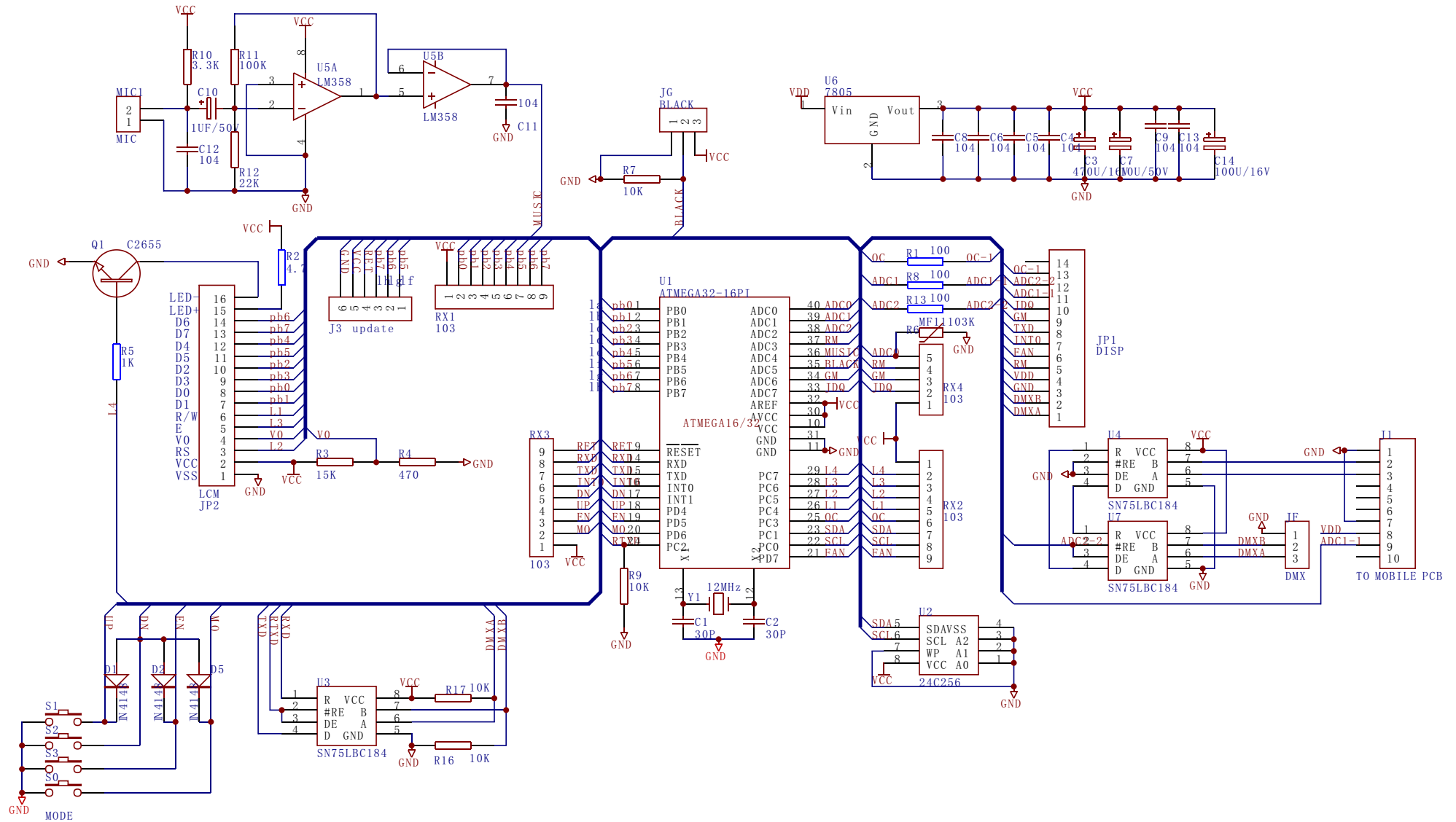
PRODUCT		<b>PHS-750E</b>			
PIC. NO.		<b>V575S-E\ V700S-E ELECTRIC</b>			
EDIT		FILE NO.	GS-WIJL-A007	PAGE NO.	27/34
CHECK		VERSION	NR	DATE	2007.08.17
APPROVE		ECN NO.		DATE	



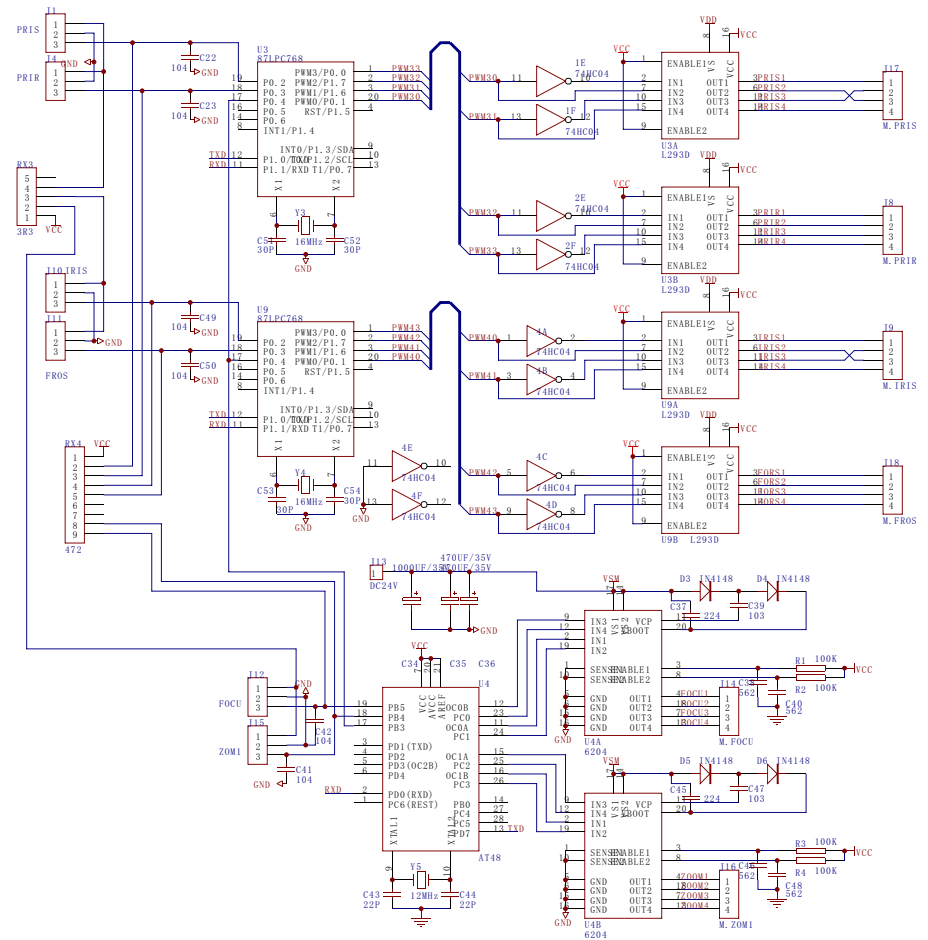
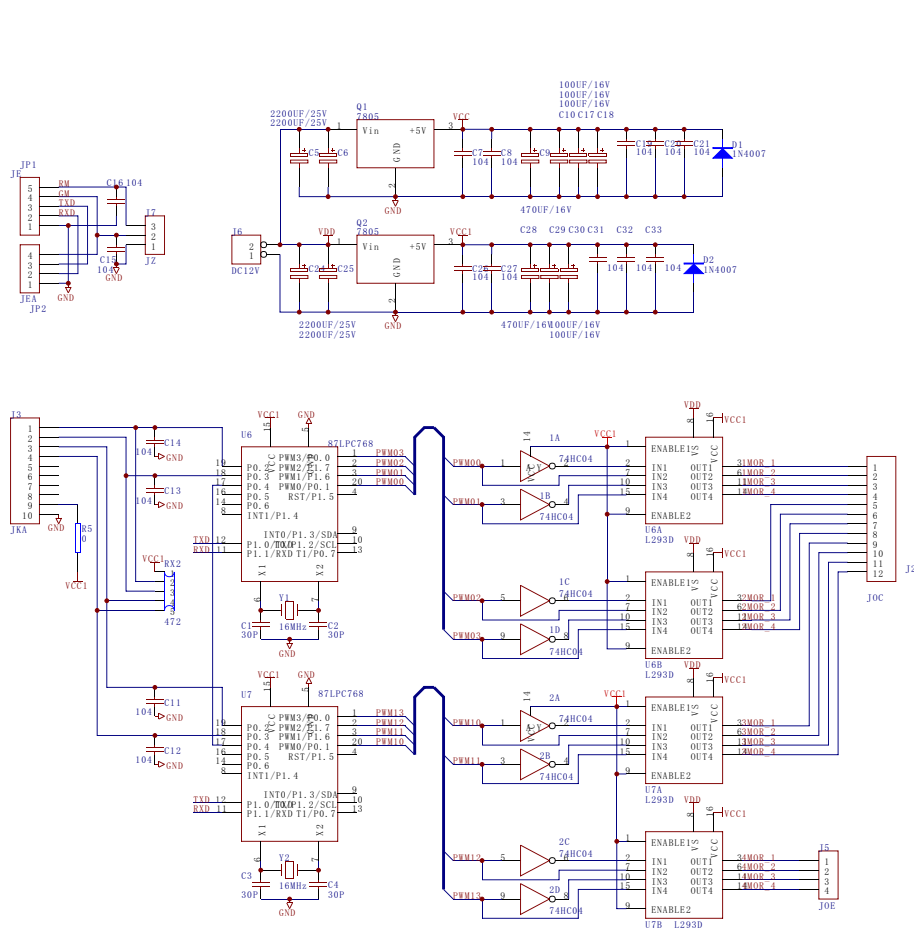
PRODUCT		<b>PHS-750E</b>			
PIC. NO.		<b>V575S-E\ V700S-E ELECTRIC</b>			
EDIT		FILE NO.	GS-WIJL-A007	PAGE NO.	28/34
CHECK		VERSION	NR	DATE	2007.08.17
APPROVE		ECN NO.		DATE	



PRODUCT		PHS-750E			
PIC. NO.		PCB0042B SCHEME			
EDIT		FILE NO.	GS-WIJL-148	PAGE NO.	29/34
CHECK		VERSION	NR	DATE	2007.08.17
APPROVE		ECN NO.		DATE	

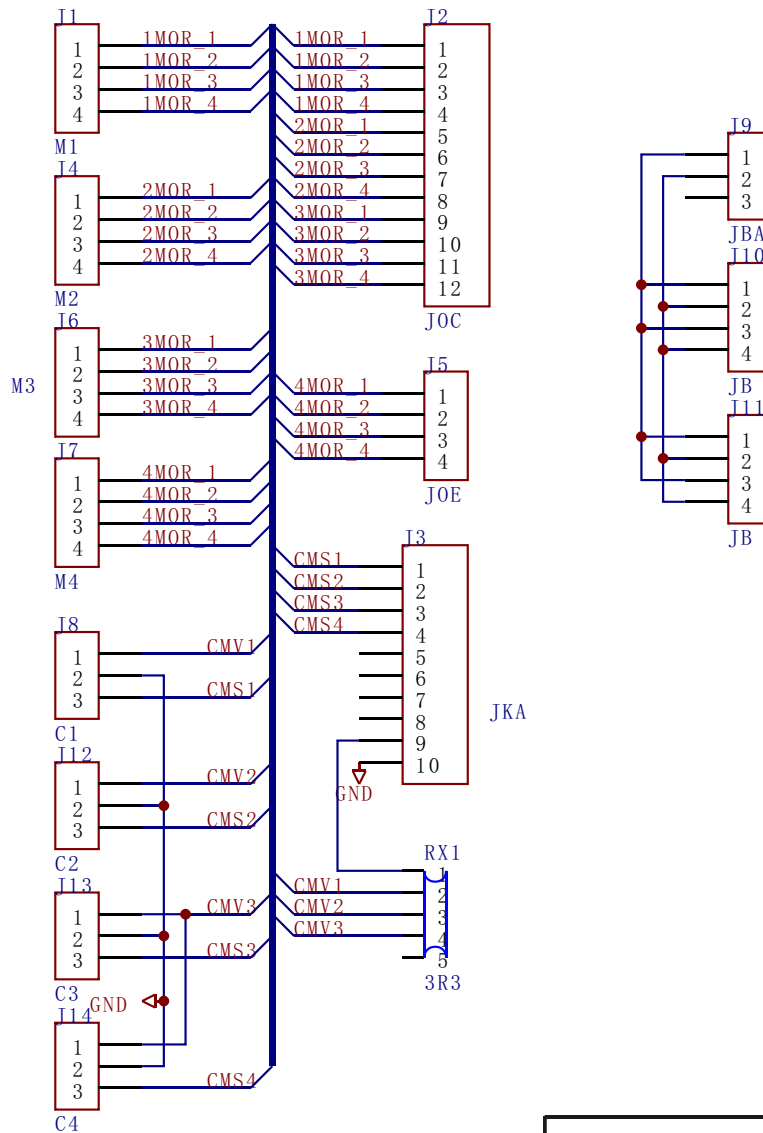


PRODUCT		PHS-750E			
PIC. NO.		PCB0049B SCHEME			
EDIT		FILE NO.	GS-WIJL-155	PAGE NO.	30/34
CHECK		VERSION	NR	DATE	2007.08.17
APPROVE		ECN NO.		DATE	

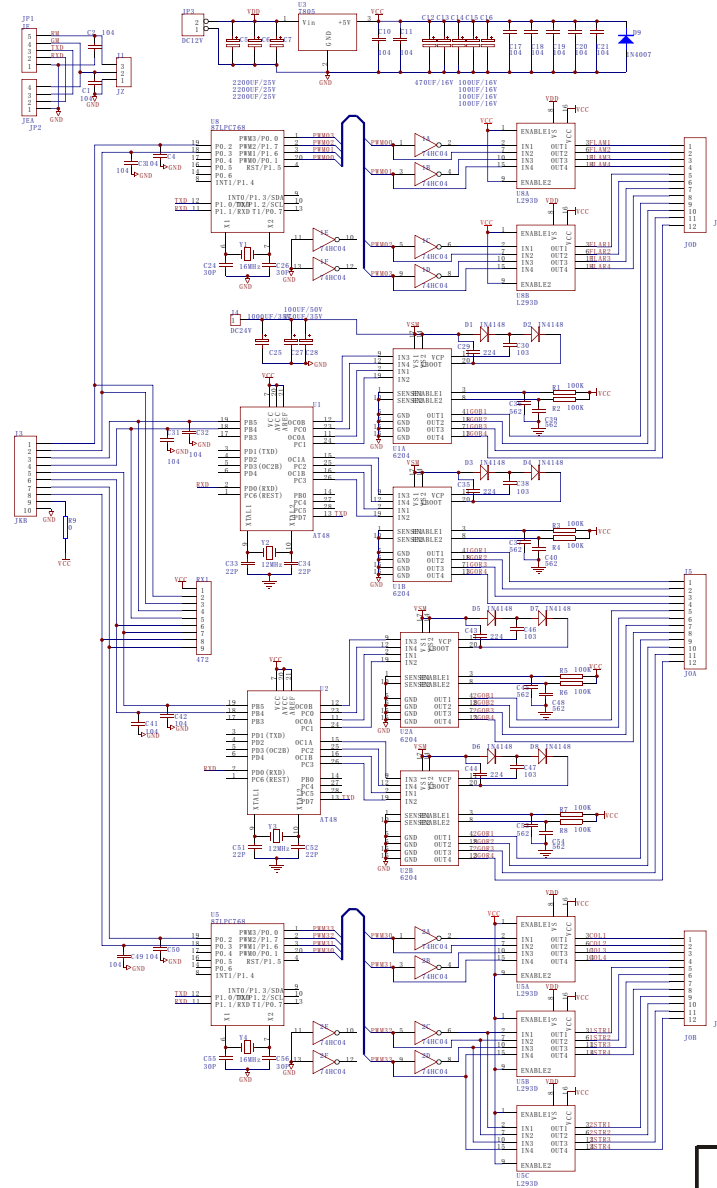


PRODUCT	PHS-750E				
PIC. NO.	PCB0044B SCHEME				
EDIT		FILE NO.	GS-WIJL-150	PAGE NO.	31/34
CHECK		VERSION	NR	DATE	2007.08.17
APPROVE		ECN NO.		DATE	

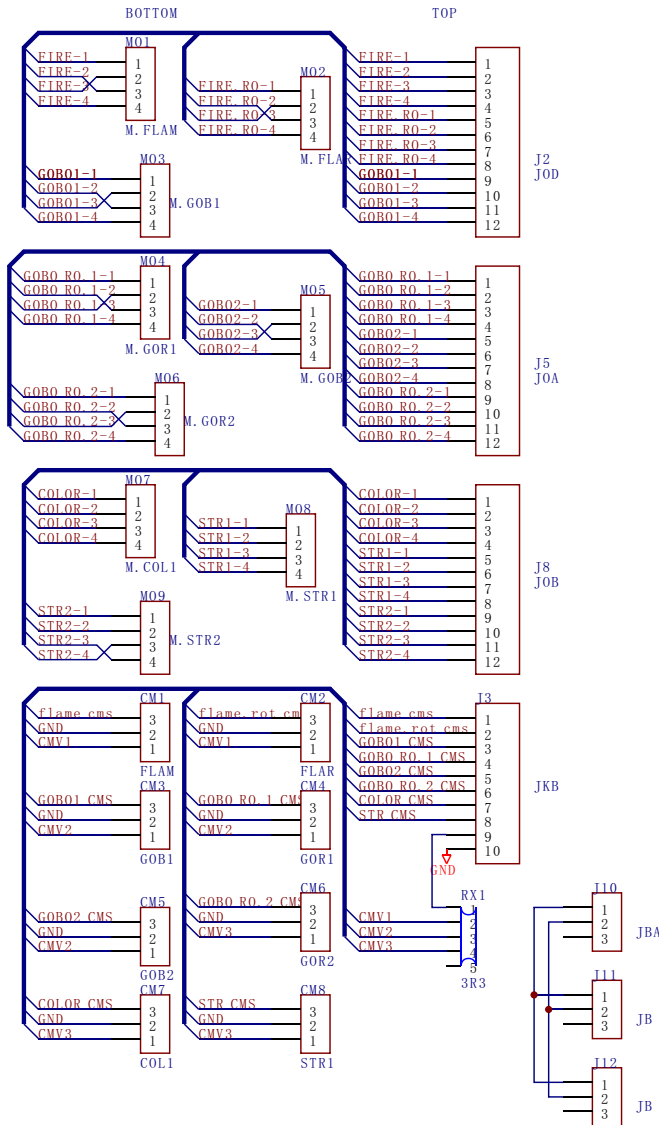




PRODUCT		<b>PHS-750E</b>			
PIC. NO.		<b>PCB0003D SCHEME</b>			
EDIT		FILE NO.	GS-WILJ-142	PAGE NO.	32/34
CHECK		VERSION	NR	DATE	2007.08.17
APPROVE		ECN NO.		DATE	



PRODUCT		PHS-750E			
PIC. NO.		PCB0045B SCHEME			
EDIT		FILE NO.	GS-WIJL-146	PAGE NO.	33/34
CHECK		VERSION	NR	DATE	2007.08.17
APPROVE		ECN NO.		DATE	



PRODUCT		PHS-750E			
PIC. NO.		PCB0016C SCHEME			
EDIT		FILE NO.	GS-WIJL-151	PAGE NO.	34/34
CHECK		VERSION	NR	DATE	2007.08.17
APPROVE		ECN NO.		DATE	