

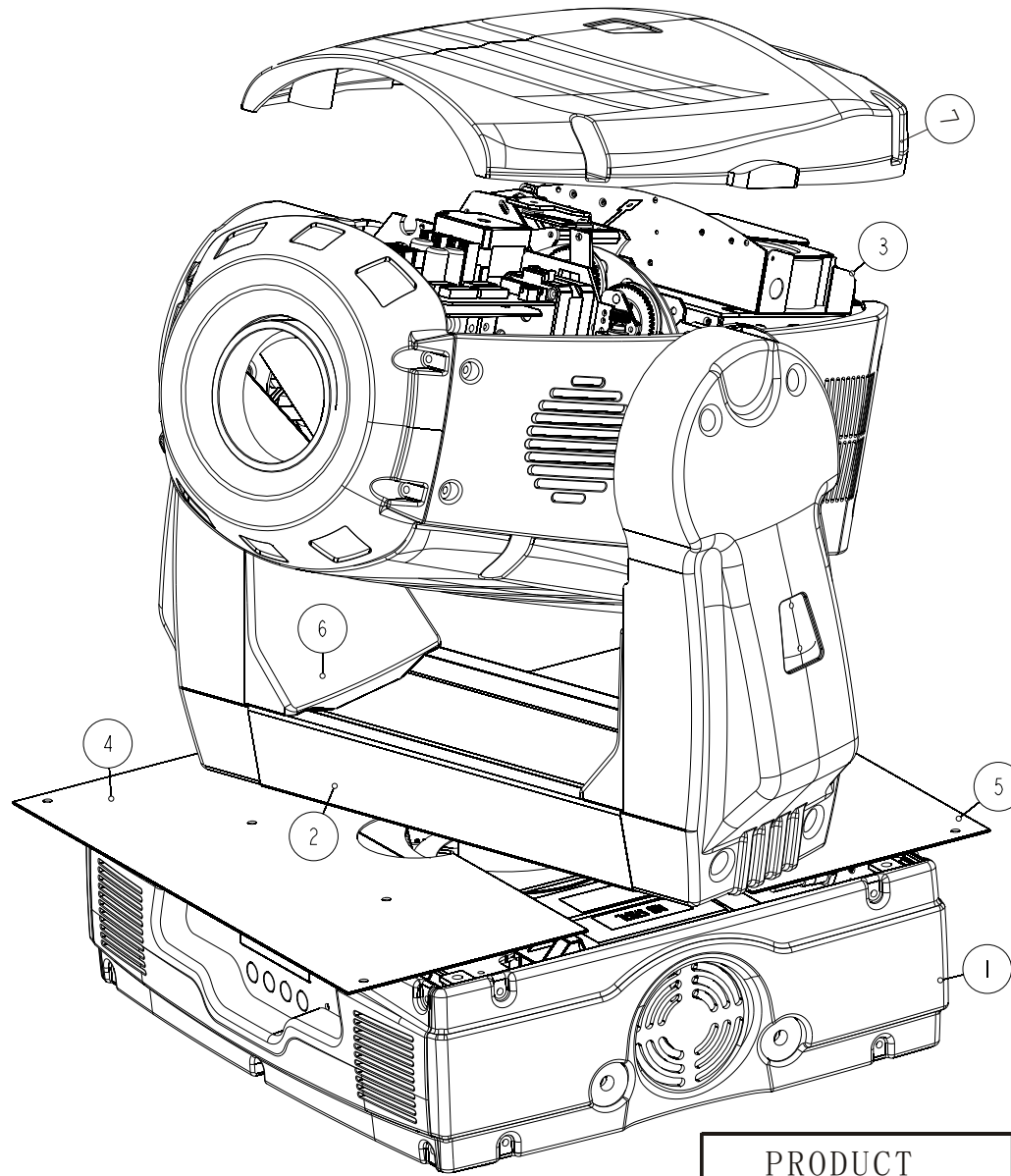
# Service manual

## PHS-575

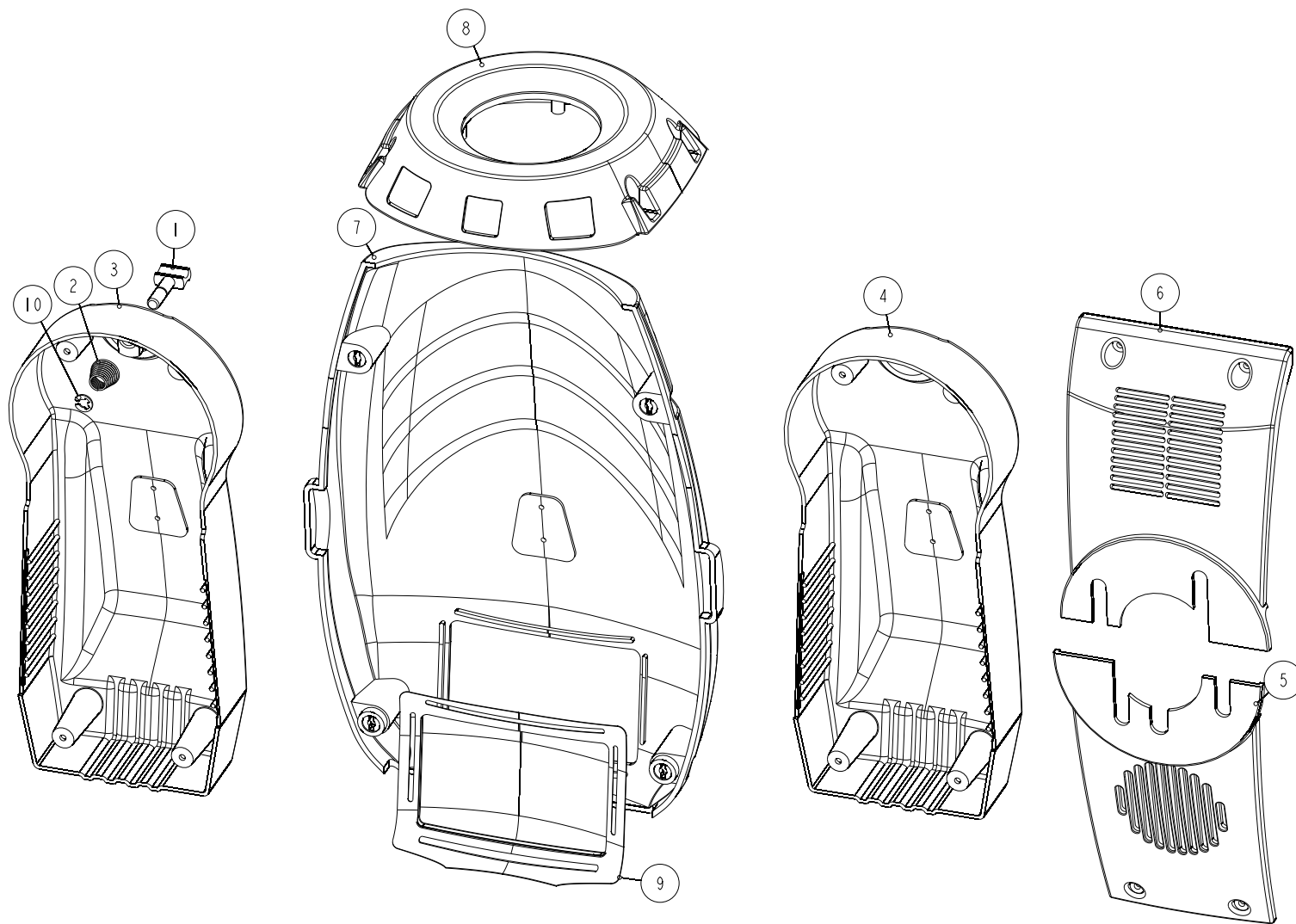
- ✘ **Exploded Diagrams**
- ✘ **Circuit Diagrams**
- ✘ **Wiring Diagrams**
- ✘ **Parts List**



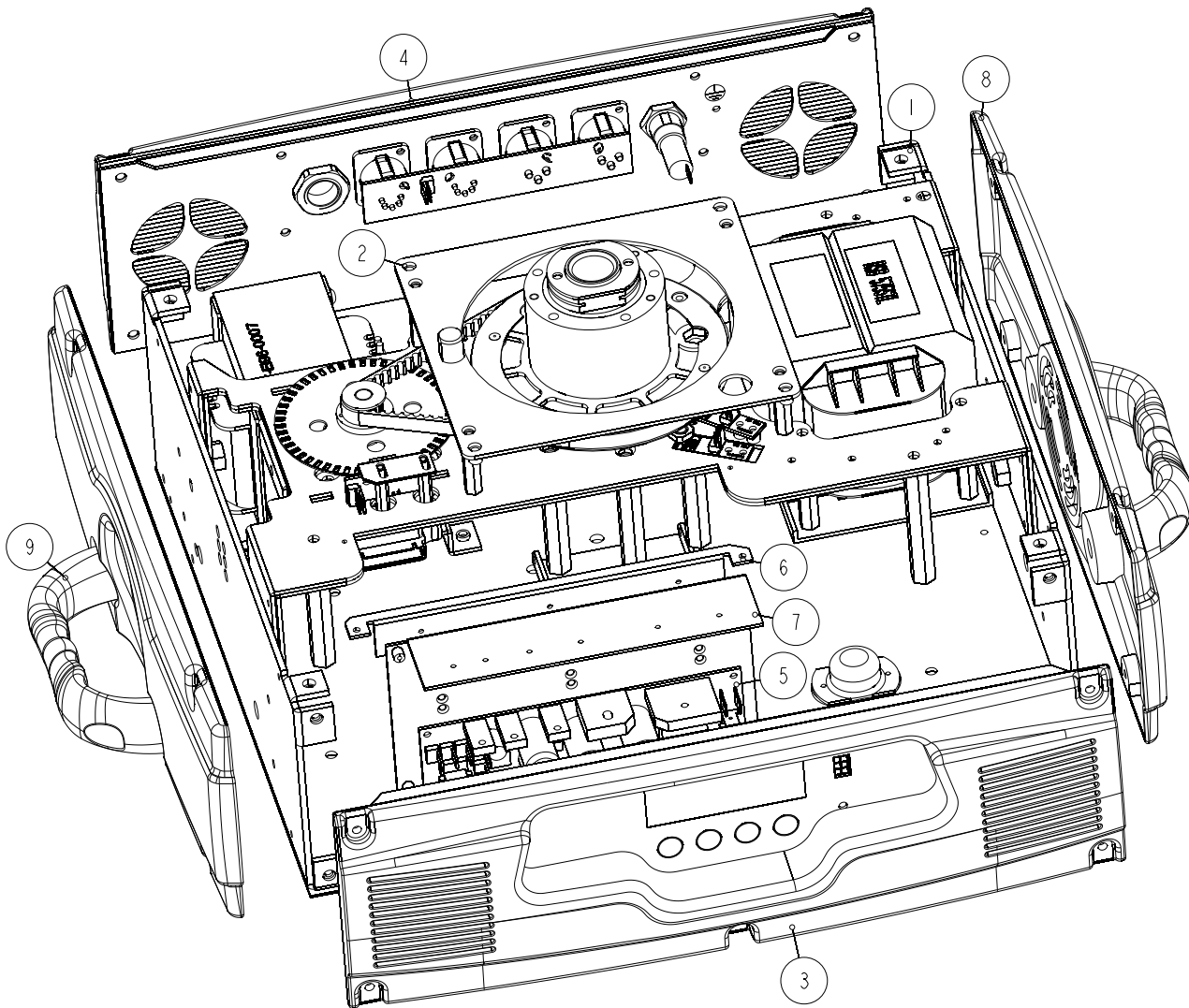
<b>PRODUCT</b>		<b>PHS-575</b>			
<b>PIC. NO.</b>		<b>Front Page</b>			
EDIT		FILE NO.	GS-EXP-282A		
CHECK		VERSION	NR	DATE	2007. 08. 25
APPROVE		ECN NO.		DATE	



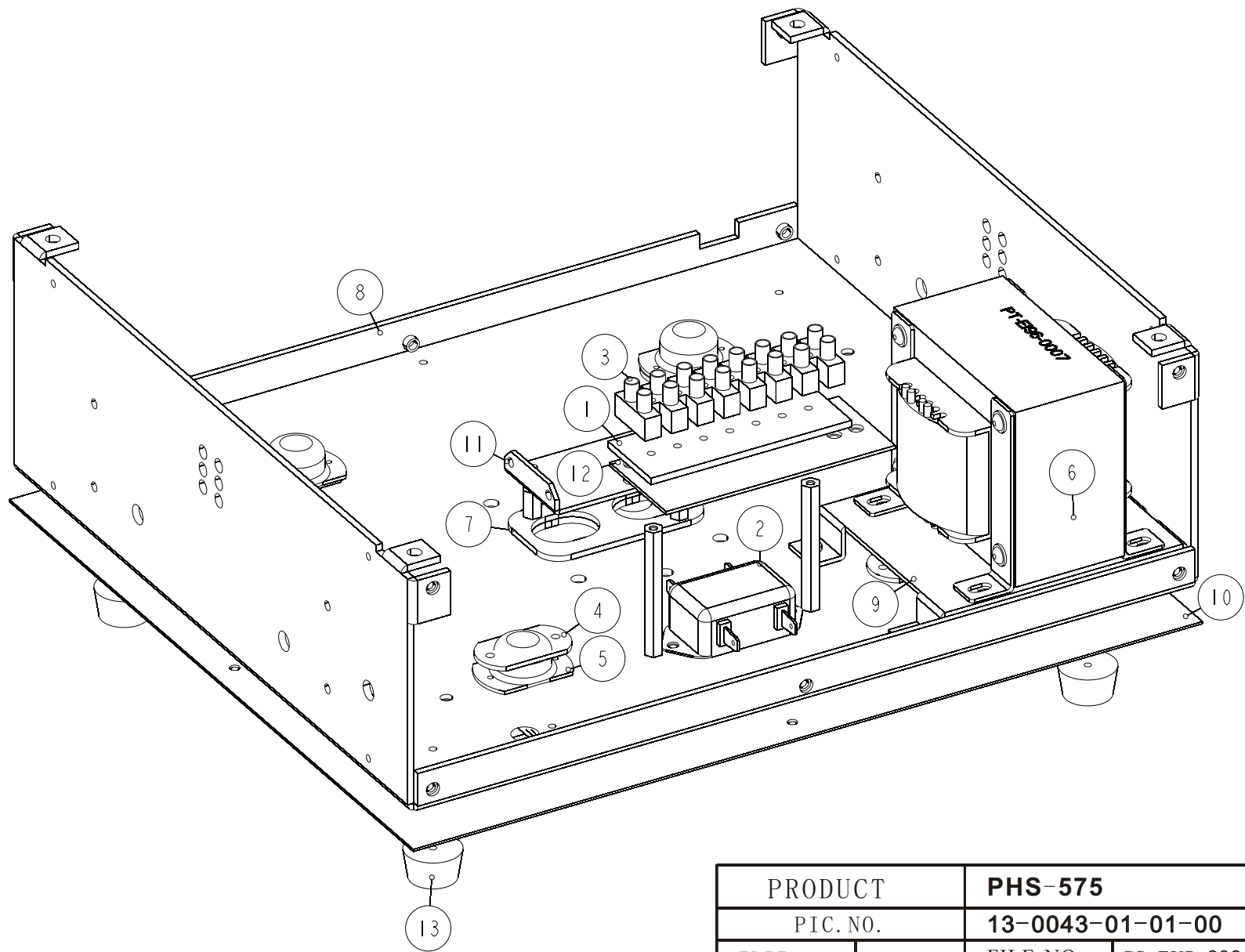
PRODUCT		<b>PHS-575</b>			
PIC. NO.		<b>13-0043-00-00-00</b>			
EDIT		FILE NO.	GS-EXP-282A	PAGE NO.	1/30
CHECK		VERSION	NR	DATE	2007.08.25
APPROVE		ECN NO.		DATE	



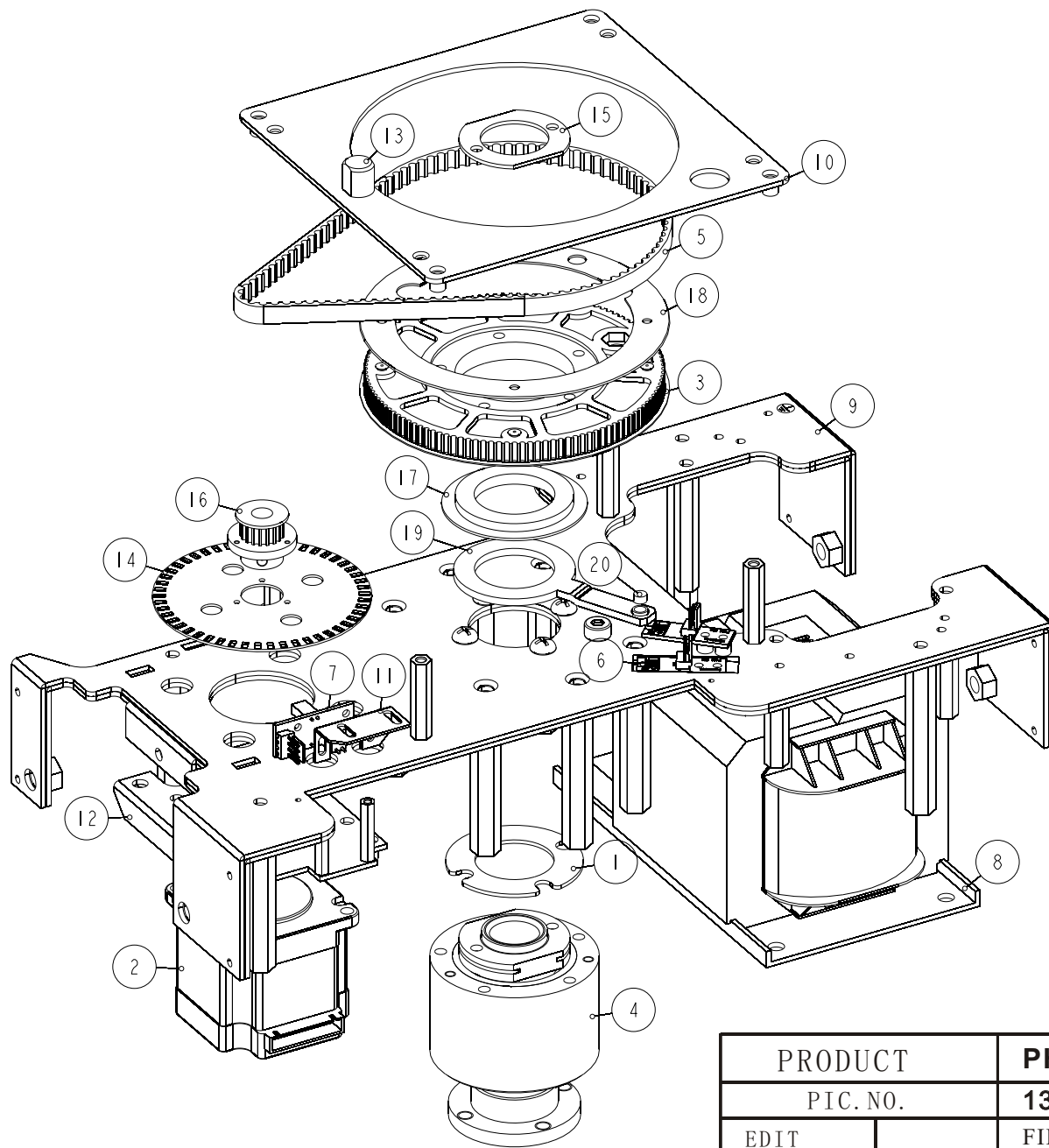
PRODUCT		<b>PHS-575</b>			
PIC. NO.		<b>10-0033-00-00-sjk</b>			
EDIT		FILE NO.	GS-EXP-097A	PAGE NO.	2/30
CHECK		VERSION	NR	DATE	2007.08.25
APPROVE		ECN NO.		DATE	



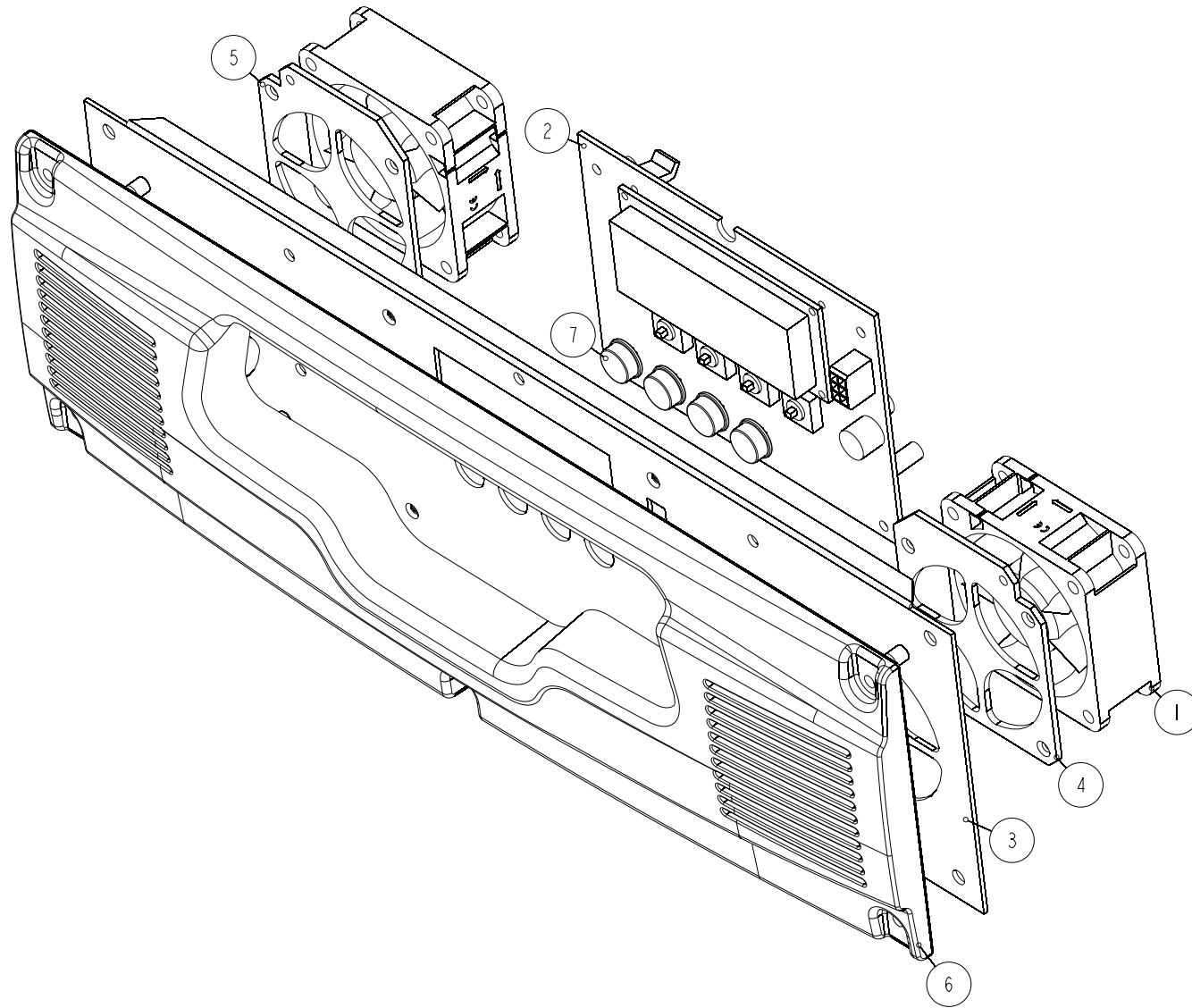
PRODUCT		<b>PHS-575</b>			
PIC. NO.		<b>13-0043-01-00-00</b>			
EDIT		FILE NO.	GS-EXP-282A	PAGE NO.	3/30
CHECK		VERSION	NR	DATE	2007.08.25
APPROVE		ECN NO.		DATE	



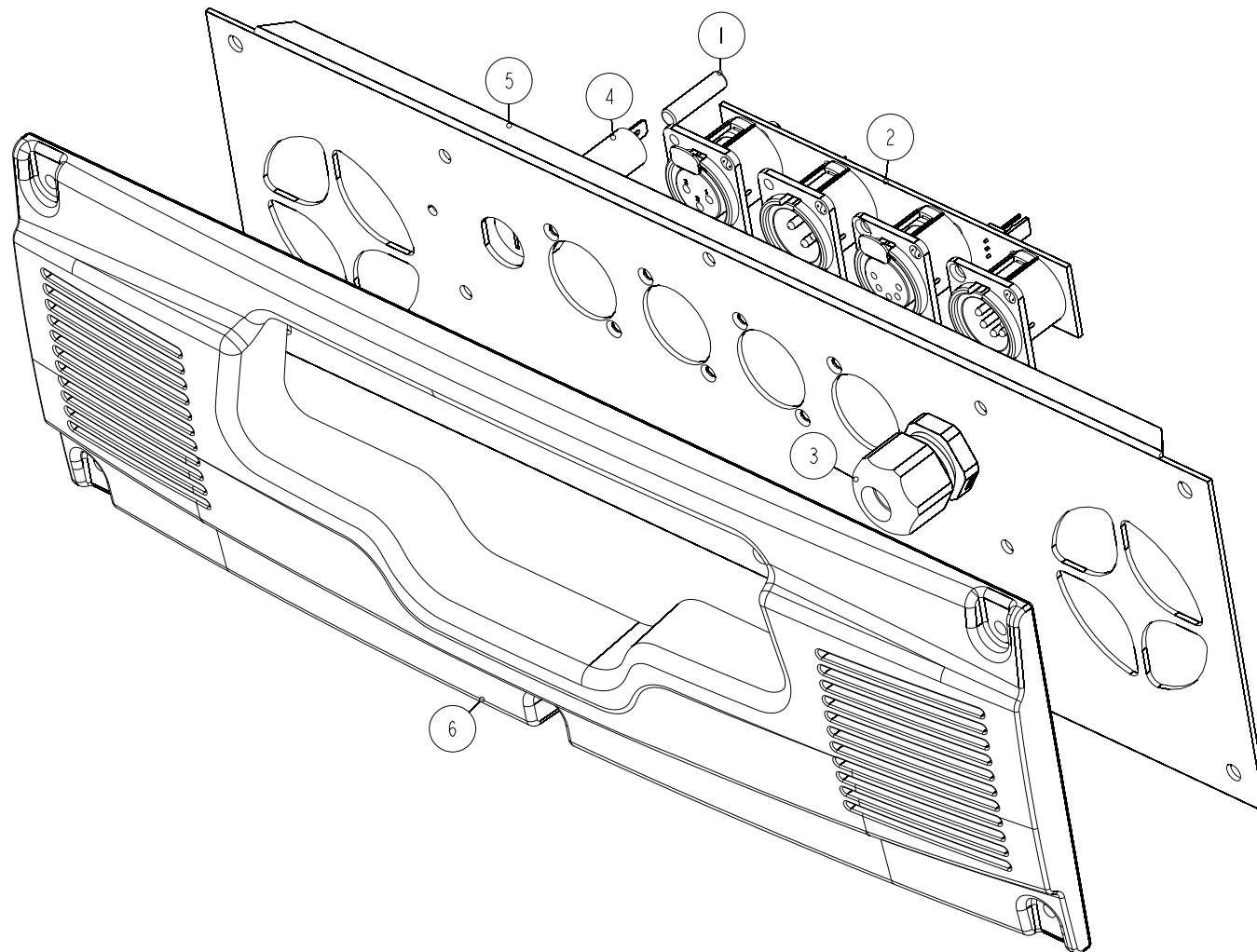
PRODUCT		<b>PHS-575</b>			
PIC. NO.		<b>13-0043-01-01-00</b>			
EDIT		FILE NO.	GS-EXP-282A	PAGE NO.	4/30
CHECK		VERSION	NR	DATE	2007.08.25
APPROVE		ECN NO.		DATE	



PRODUCT		<b>PHS-575</b>			
PIC. NO.		<b>13-0043-01-02-00</b>			
EDIT		FILE NO.	GS-EXP-282A	PAGE NO.	6/30
CHECK		VERSION	NR	DATE	2007.08.25
APPROVE		ECN NO.		DATE	

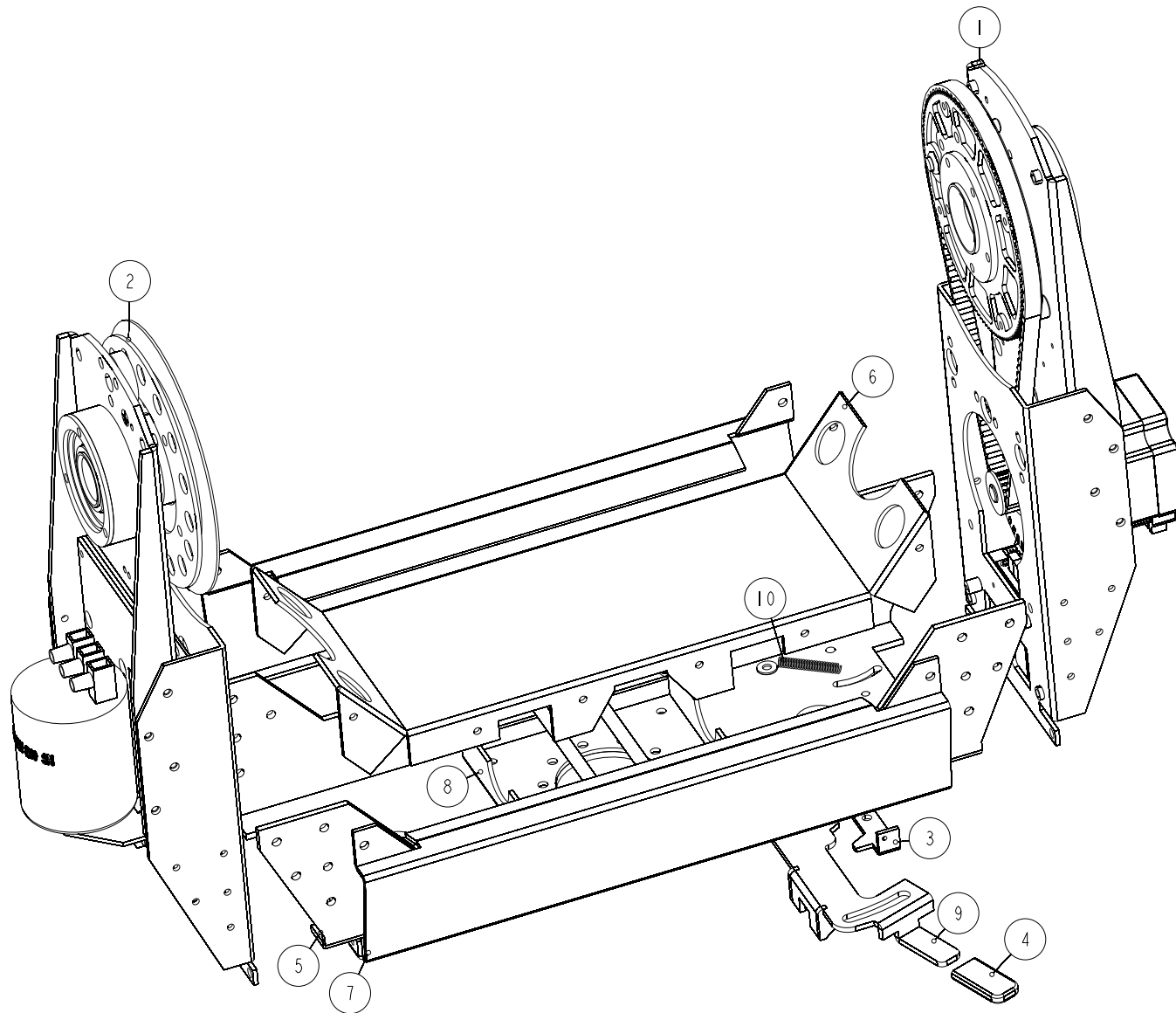


PRODUCT		<b>PHS-575</b>			
PIC. NO.		<b>10-0033-01-03-00</b>			
EDIT		FILE NO.	GS-EXP-097A	PAGE NO.	7/30
CHECK		VERSION	NR	DATE	2007.08.25
APPROVE		ECN NO.		DATE	

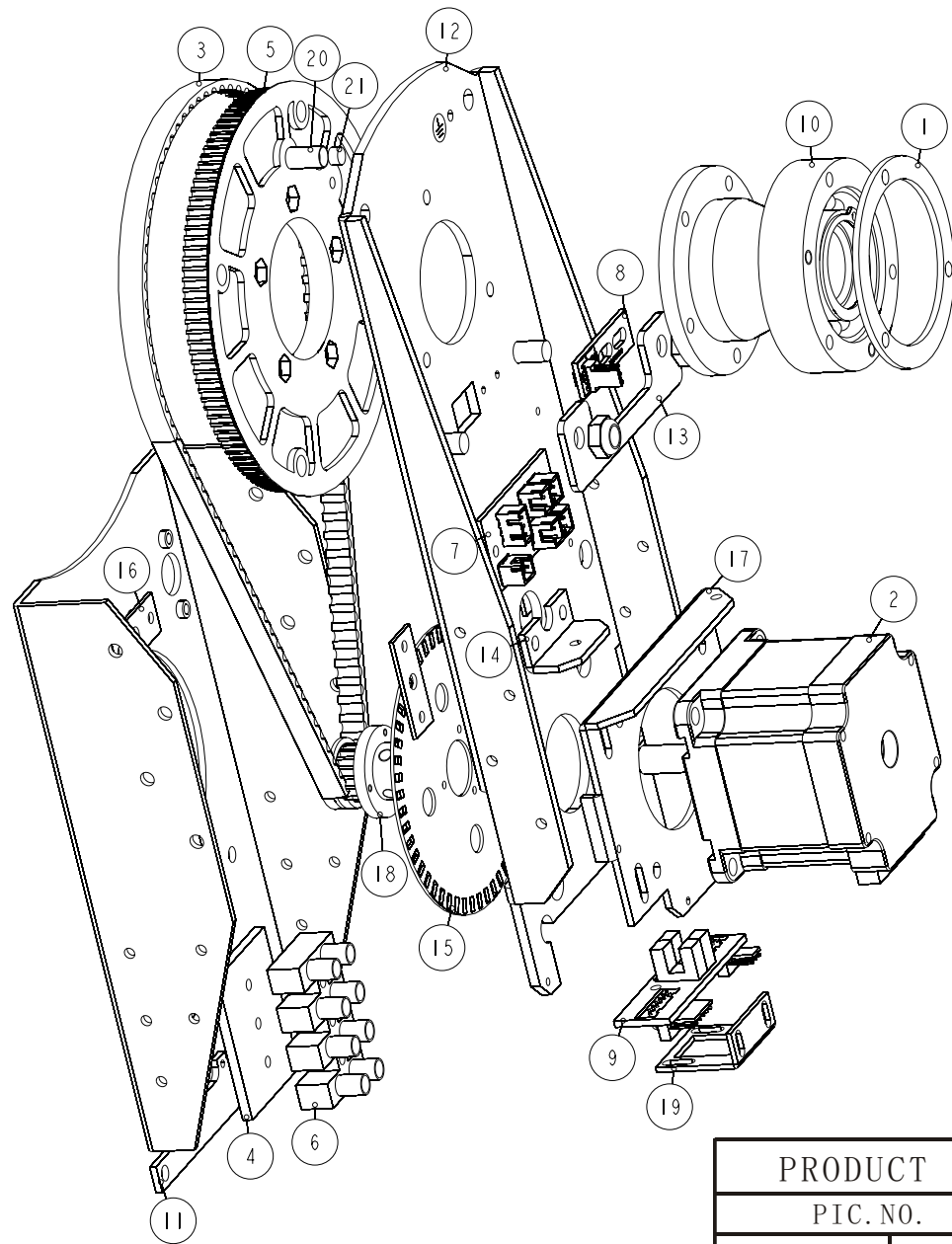


PRODUCT		<b>PHS-575</b>			
PIC. NO.		<b>13-0043-01-04-00</b>			
EDIT		FILE NO.	GS-EXP-282A	PAGE NO.	7/30
CHECK		VERSION	NR	DATE	2007.08.25
APPROVE		ECN NO.		DATE	

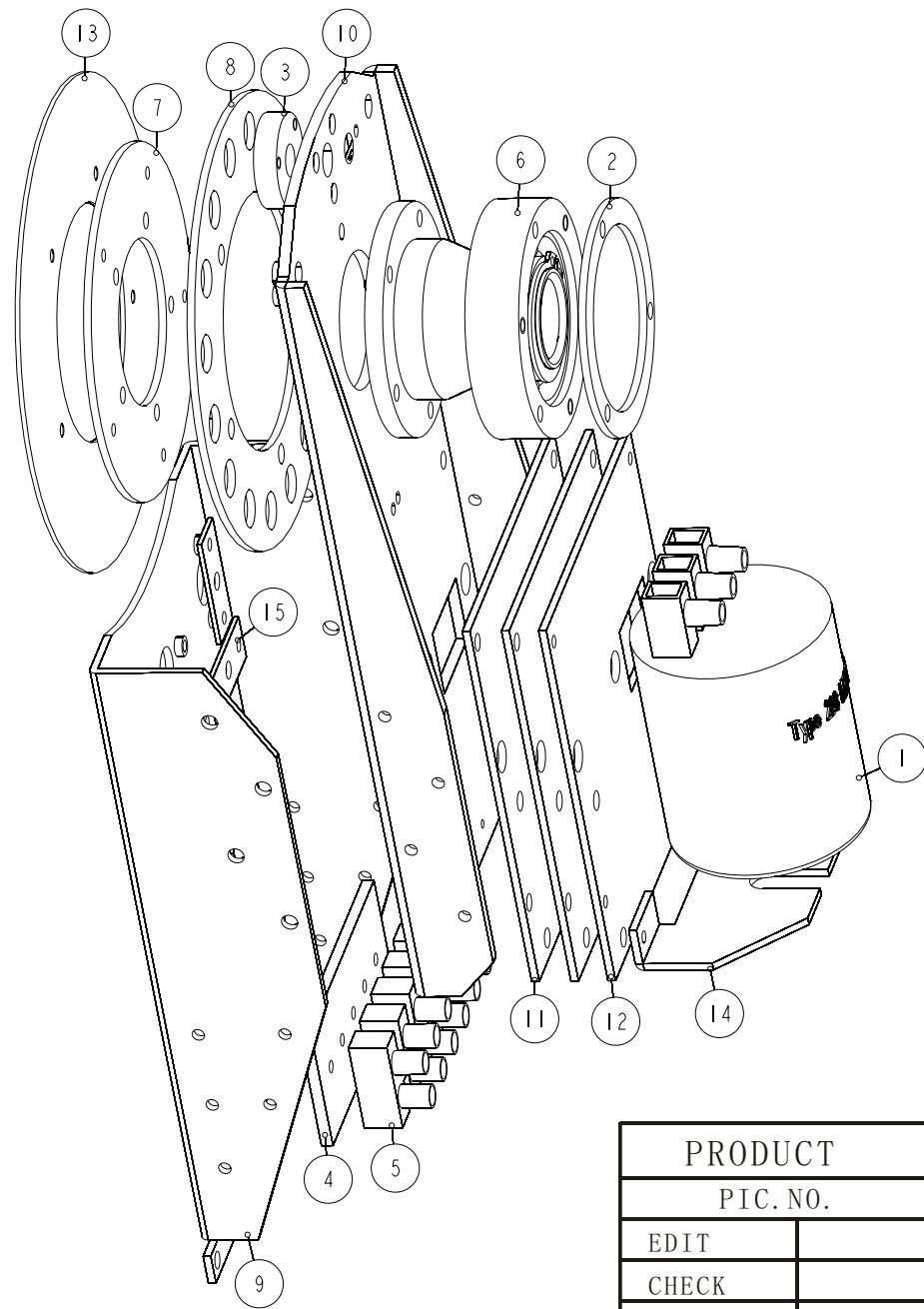




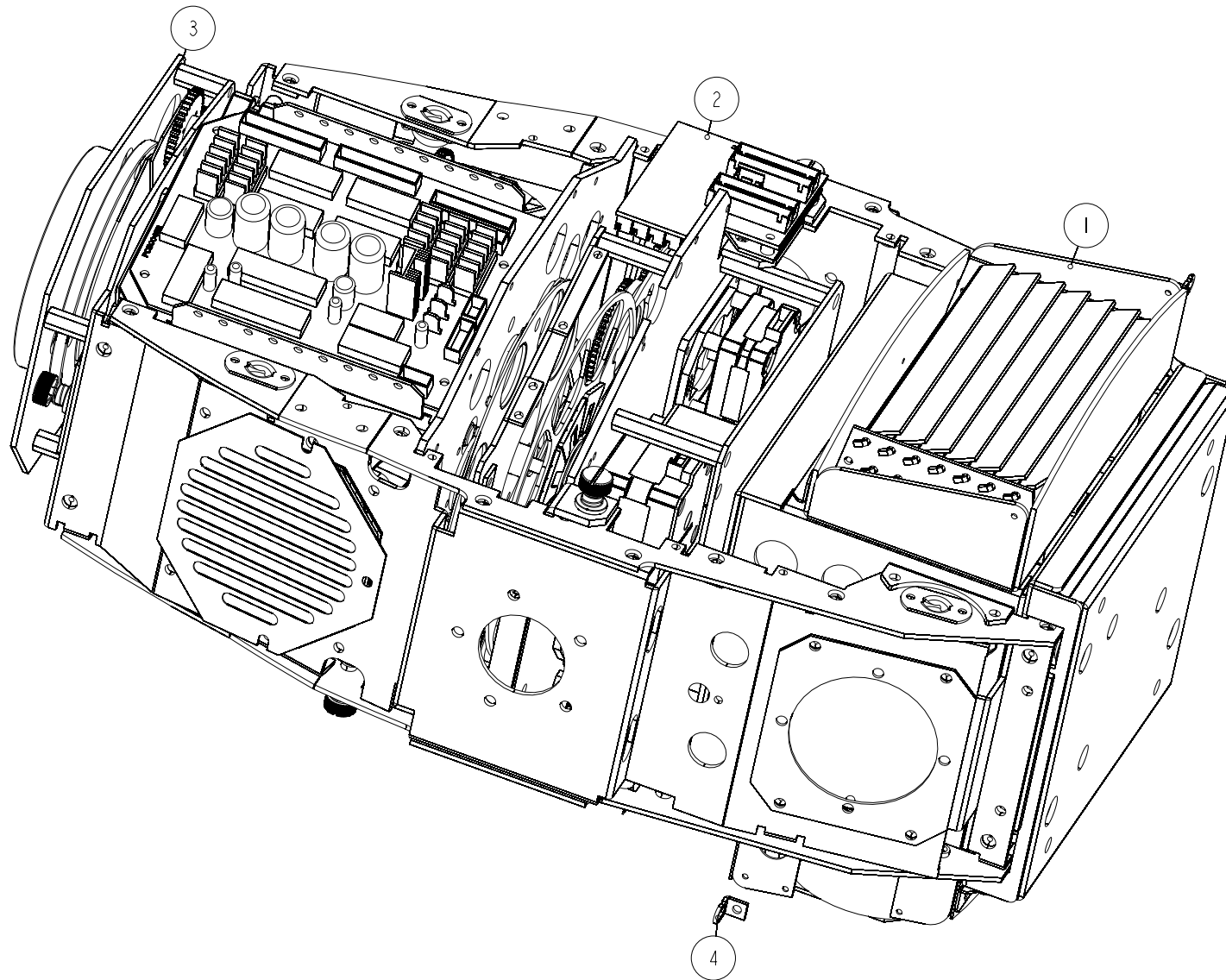
PRODUCT		<b>PHS-575</b>			
PIC. NO.		<b>13-0043-03-00-00</b>			
EDIT		FILE NO.	GS-EXP-282A	PAGE NO.	8/30
CHECK		VERSION	NR	DATE	2007.08.25
APPROVE		ECN NO.		DATE	



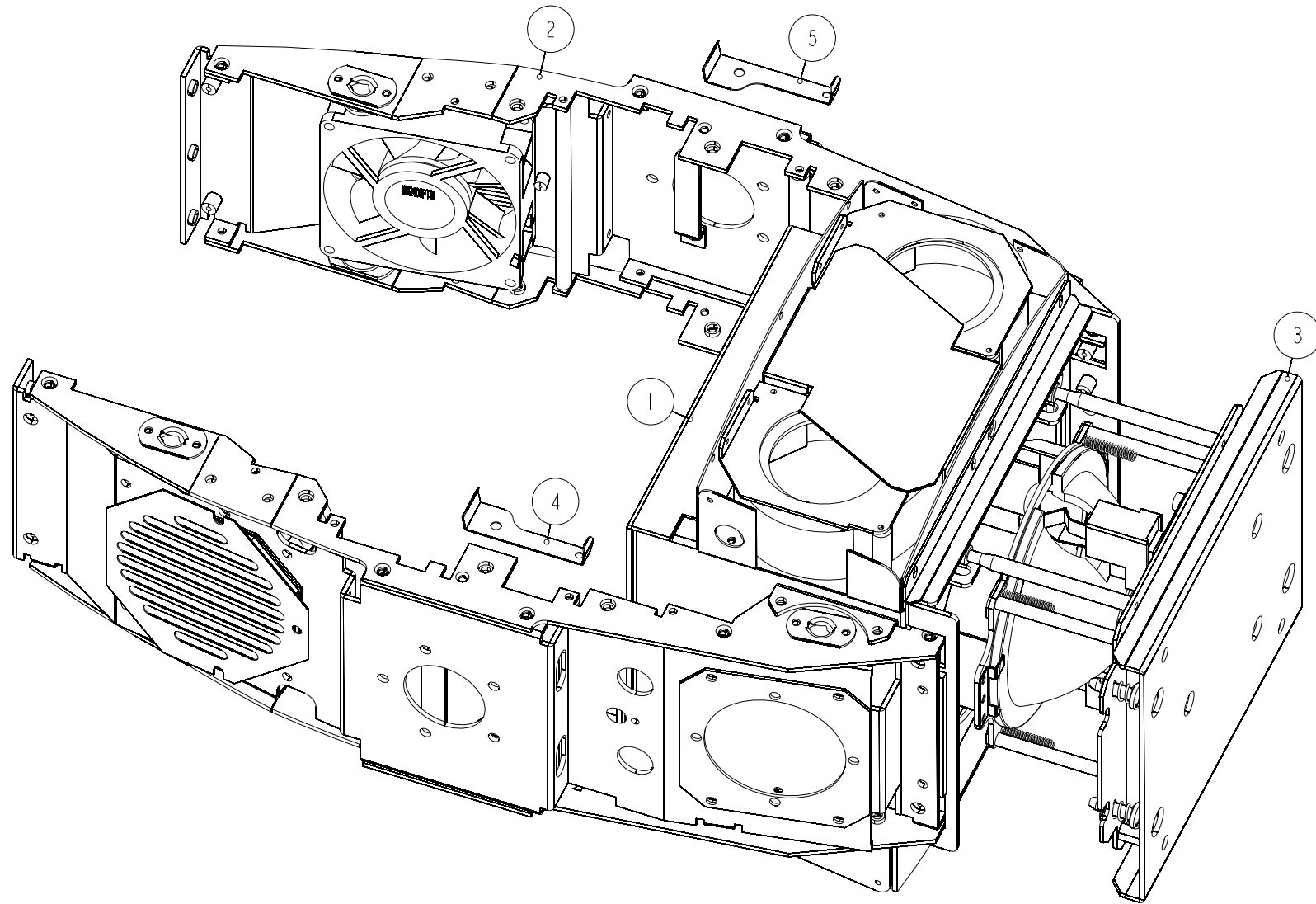
PRODUCT		<b>PHS-575</b>			
PIC. NO.		<b>10-0033-03-01-00</b>			
EDIT		FILE NO.	GS-EXP-097A	PAGE NO.	9/30
CHECK		VERSION	NR	DATE	2007.08.25
APPROVE		ECN NO.		DATE	



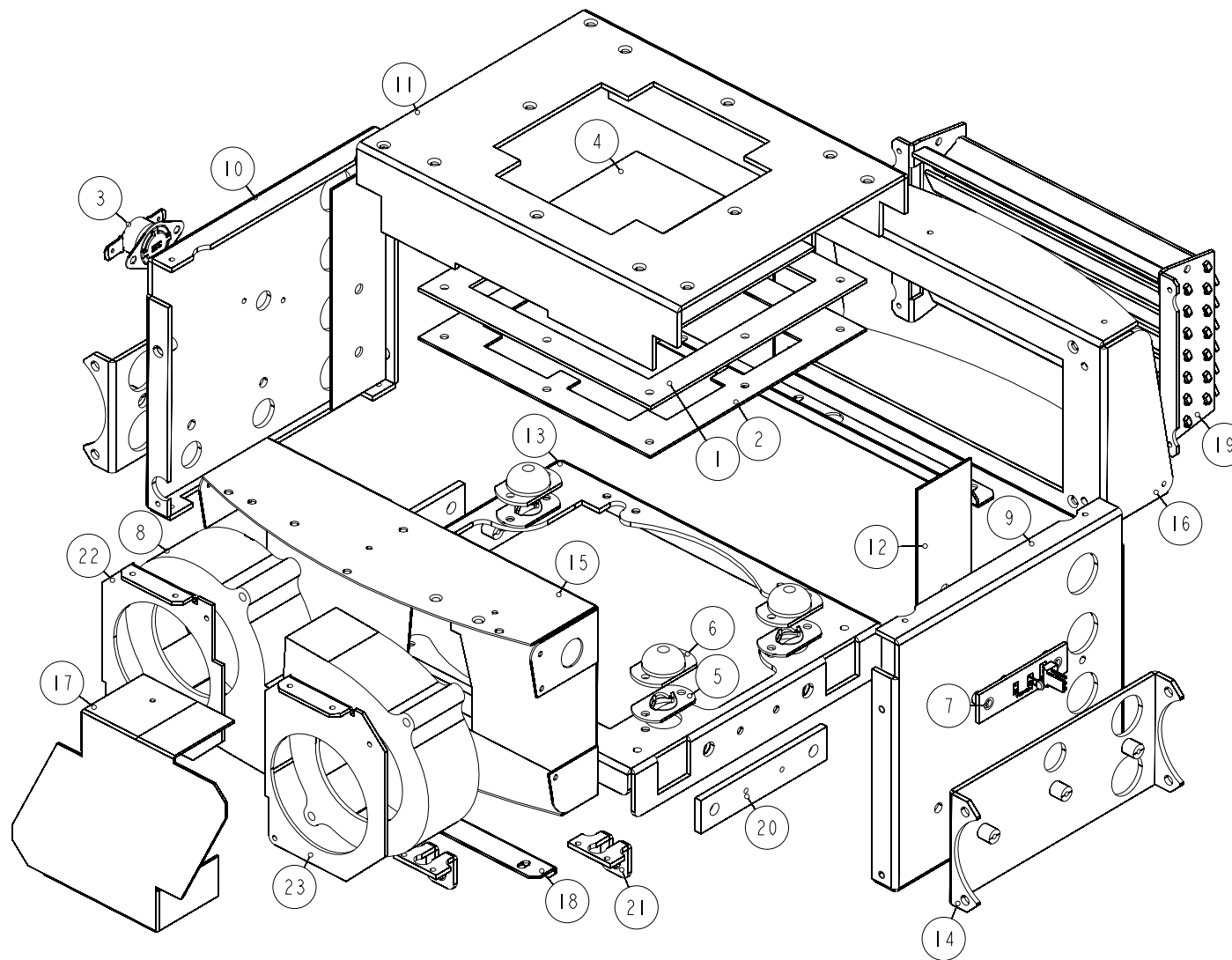
PRODUCT		<b>PHS-575</b>			
PIC. NO.		<b>13-0043-03-02-00</b>			
EDIT		FILE NO.	GS-EXP-282A	PAGE NO.	10/30
CHECK		VERSION	NR	DATE	2007.08.25
APPROVE		ECN NO.		DATE	



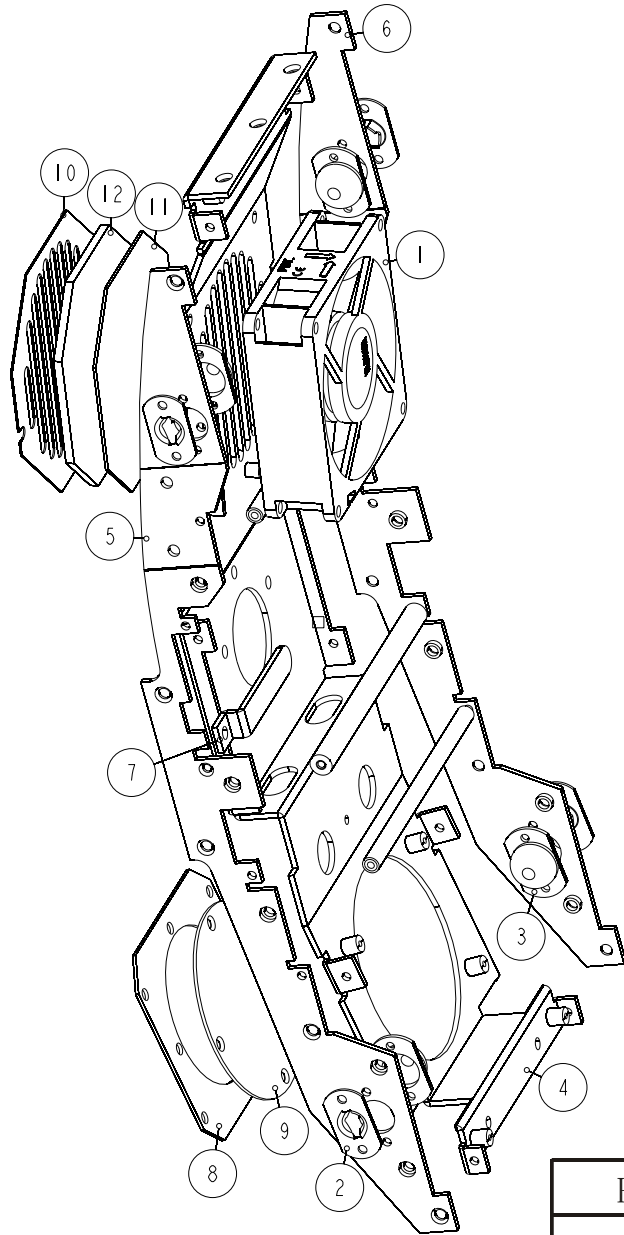
PRODUCT		<b>PHS-575</b>			
PIC. NO.		<b>13-0043-04-00-00</b>			
EDIT		FILE NO.	GS-EXP-282A	PAGE NO.	11/30
CHECK		VERSION	NR	DATE	2007.08.25
APPROVE		ECN NO.		DATE	



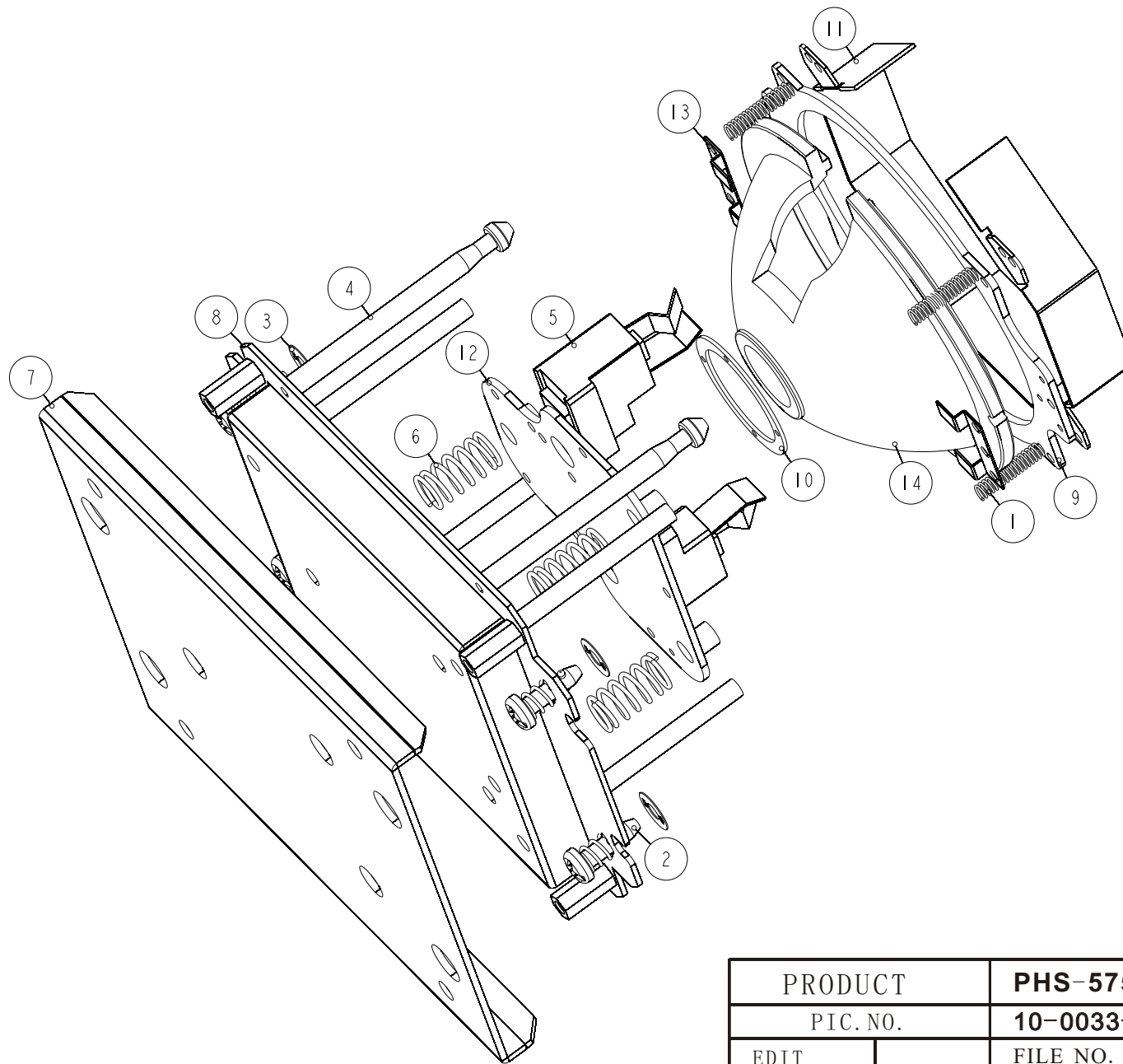
PRODUCT		<b>PHS-575</b>			
PIC. NO.		<b>13-0043-04-01-00</b>			
EDIT		FILE NO.	GS-EXP-282A	PAGE NO.	12/30
CHECK		VERSION	NR	DATE	2007.08.25
APPROVE		ECN NO.		DATE	



PRODUCT		<b>PHS-575</b>			
PIC. NO.		<b>13-0043-04-01-01</b>			
EDIT		FILE NO.	GS-EXP-282A	PAGE NO.	13/30
CHECK		VERSION	NR	DATE	2007.08.25
APPROVE		ECN NO.		DATE	

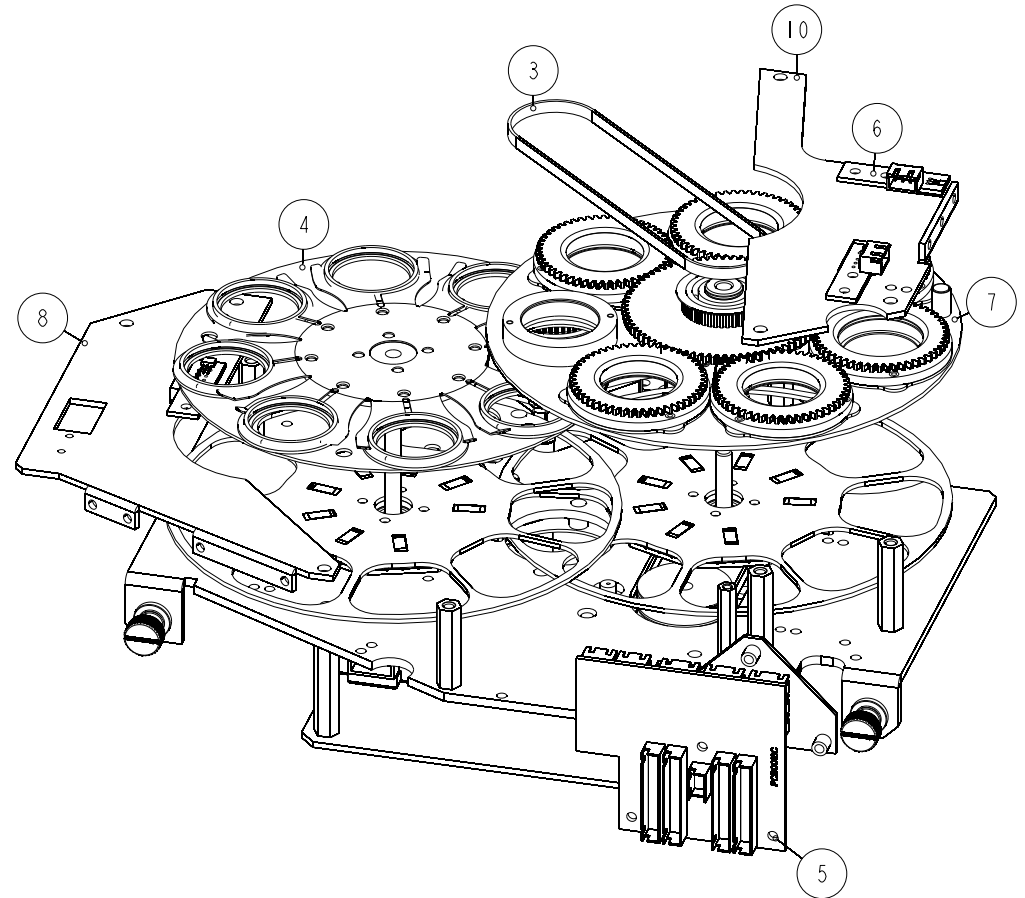
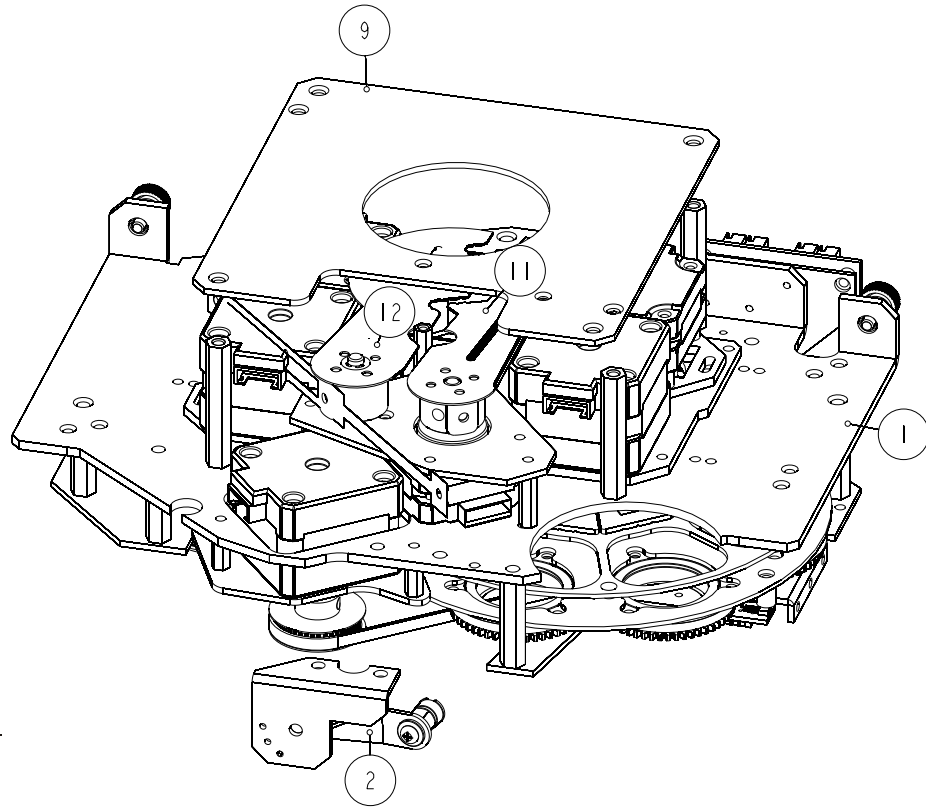


PRODUCT		<b>PHS-575</b>			
PIC. NO.		<b>10-0033-04-01-02</b>			
EDIT		FILE NO.	GS-EXP-097A	PAGE NO.	14/30
CHECK		VERSION	NR	DATE	2007.08.25
APPROVE		ECN NO.		DATE	

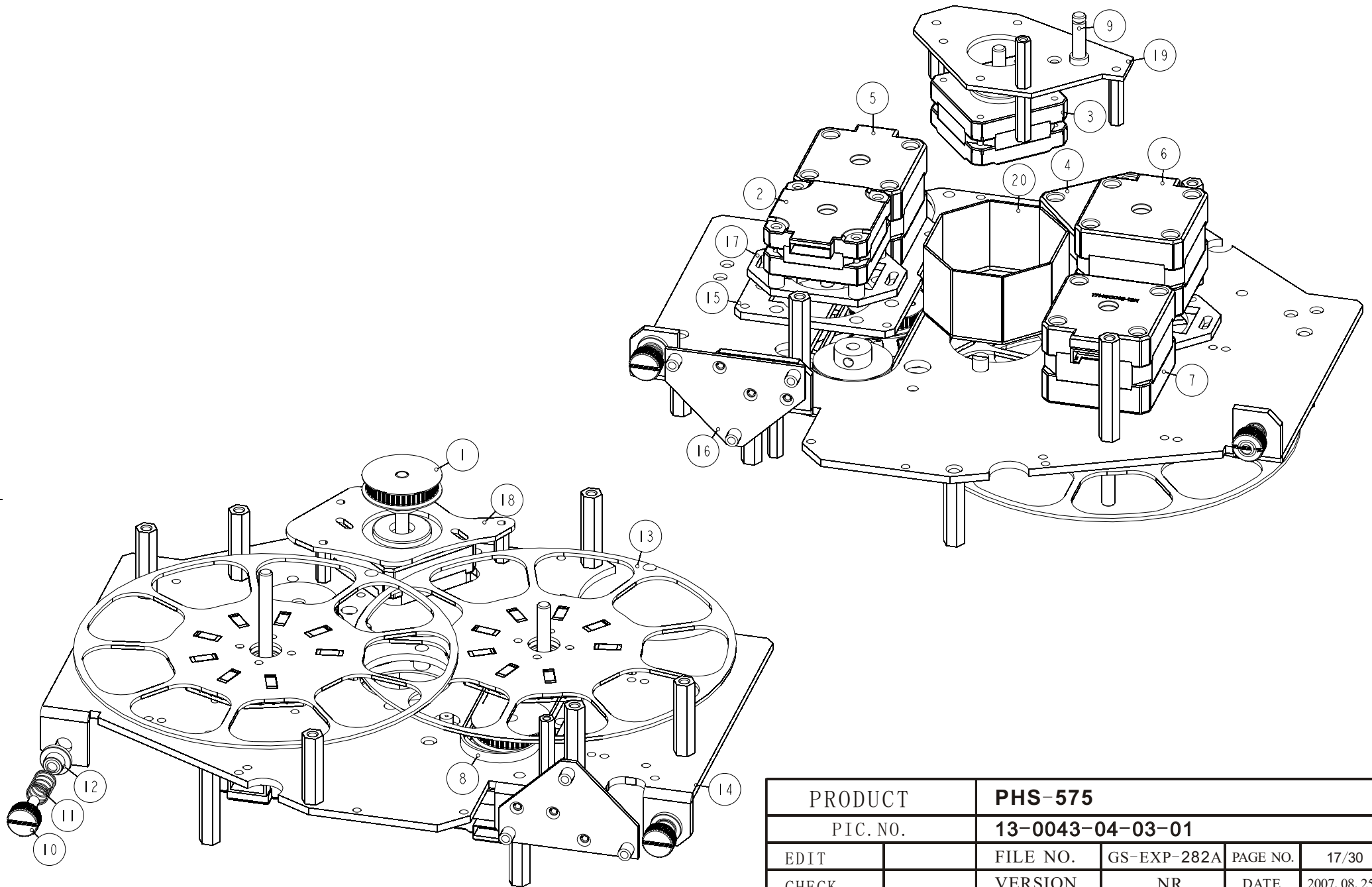


PRODUCT		<b>PHS-575</b>			
PIC. NO.		<b>10-0033-04-01-03</b>			
EDIT		FILE NO.	GS-EXP-097A	PAGE NO.	15/30
CHECK		VERSION	NR	DATE	2007.08.25
APPROVE		ECN NO.		DATE	

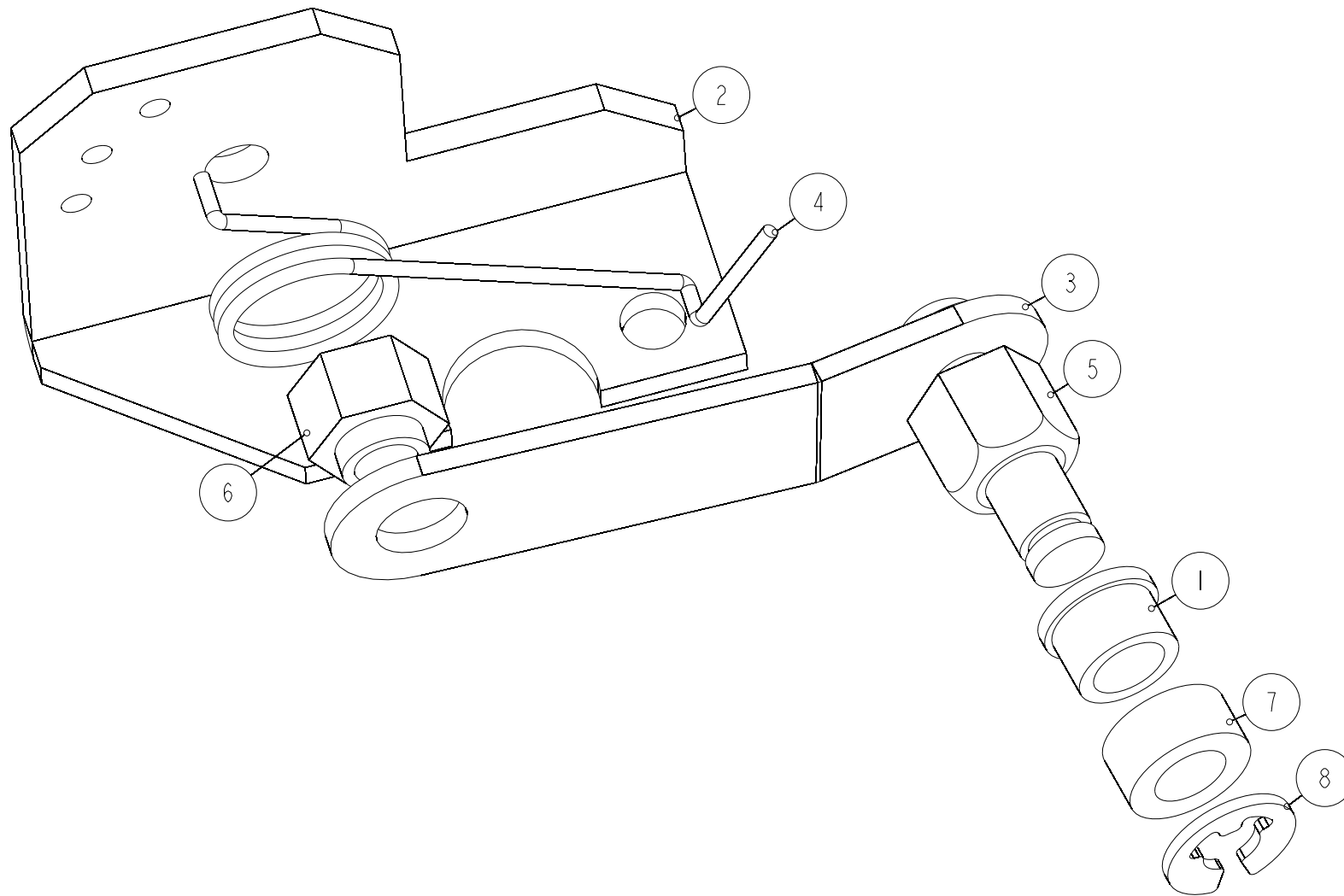




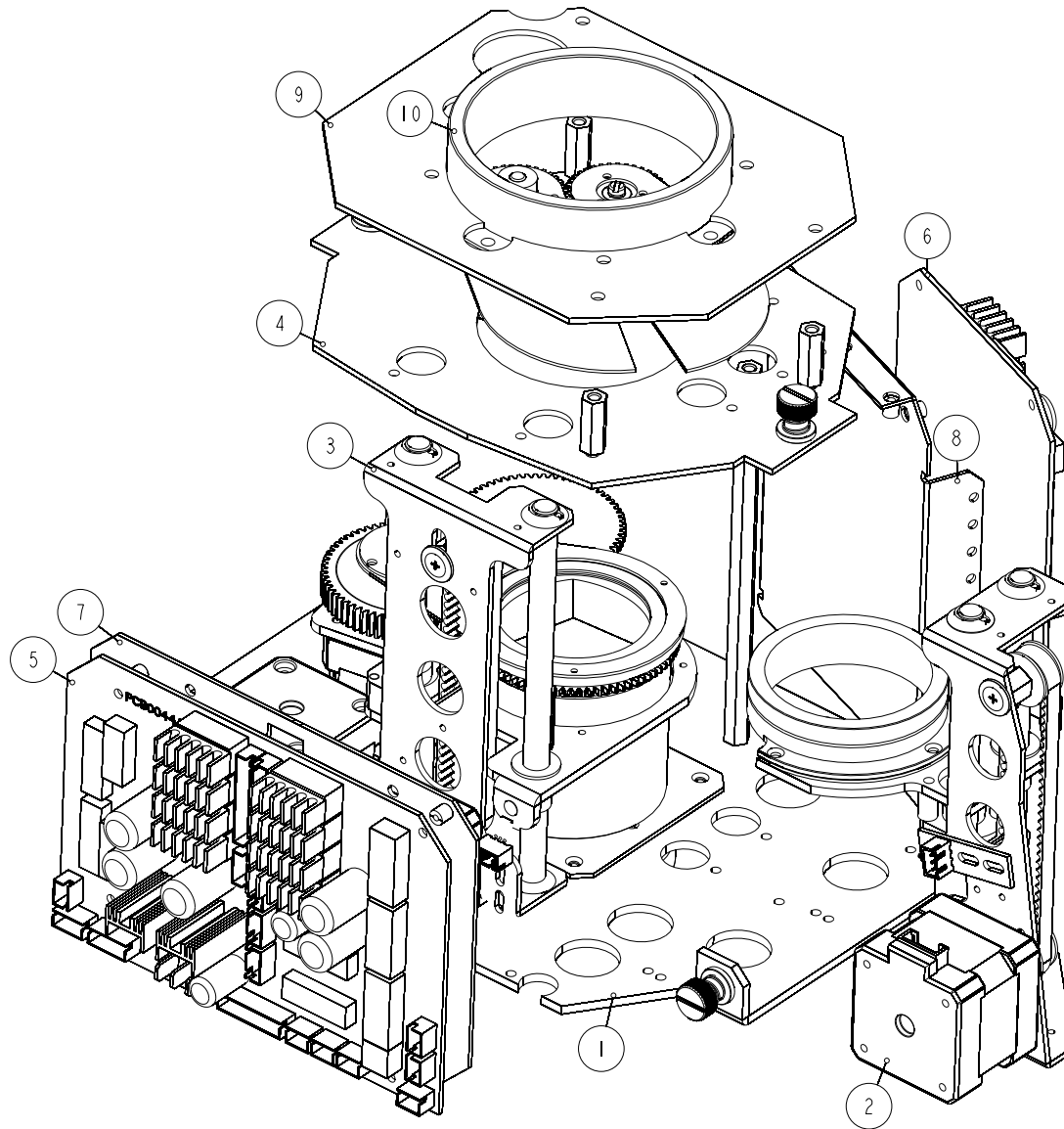
PRODUCT		<b>PHS-575</b>			
PIC. NO.		<b>13-0043-04-03-00</b>			
EDIT		FILE NO.	GS-EXP-282A	PAGE NO.	16/30
CHECK		VERSION	NR	DATE	2007.08.25
APPROVE		ECN NO.		DATE	



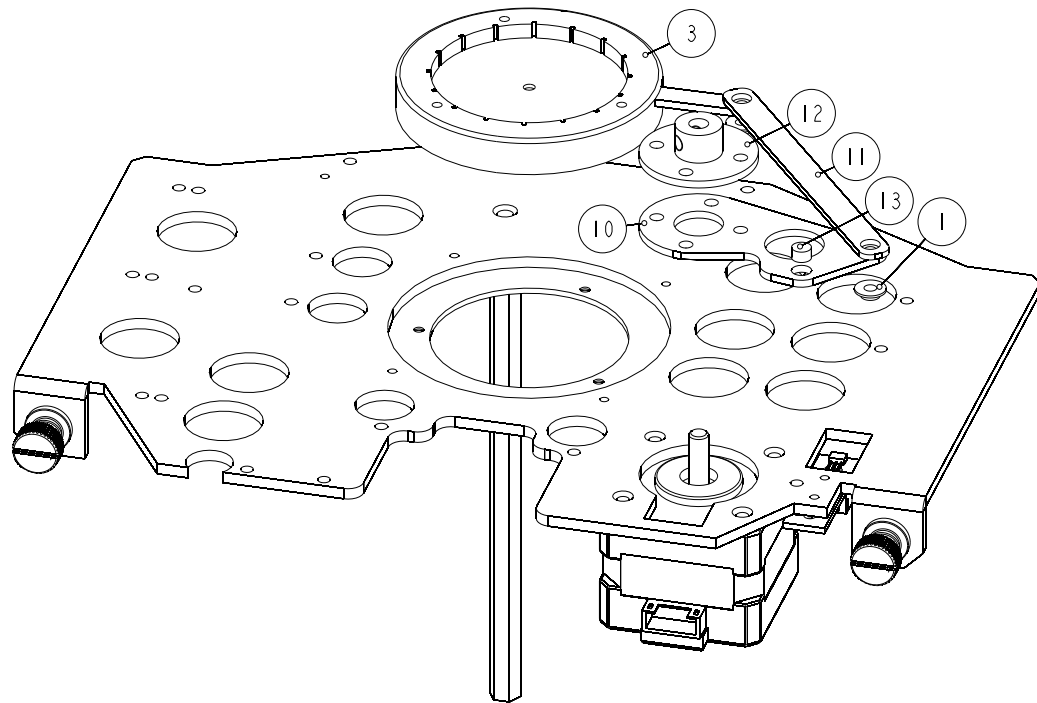
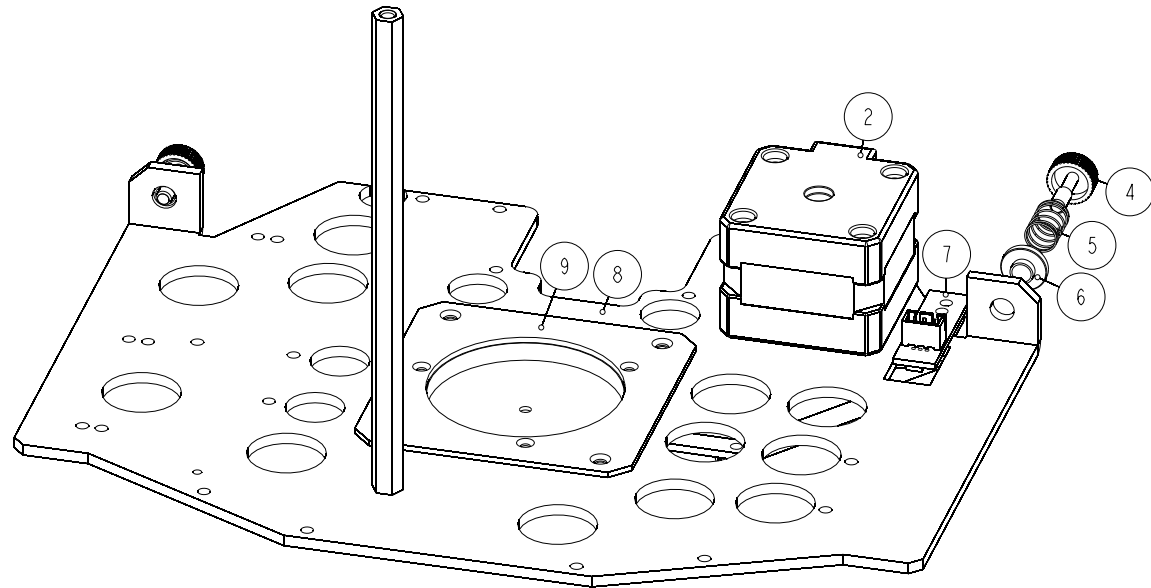
PRODUCT		<b>PHS-575</b>			
PIC. NO.		<b>13-0043-04-03-01</b>			
EDIT		FILE NO.	GS-EXP-282A	PAGE NO.	17/30
CHECK		VERSION	NR	DATE	2007.08.25
APPROVE		ECN NO.		DATE	



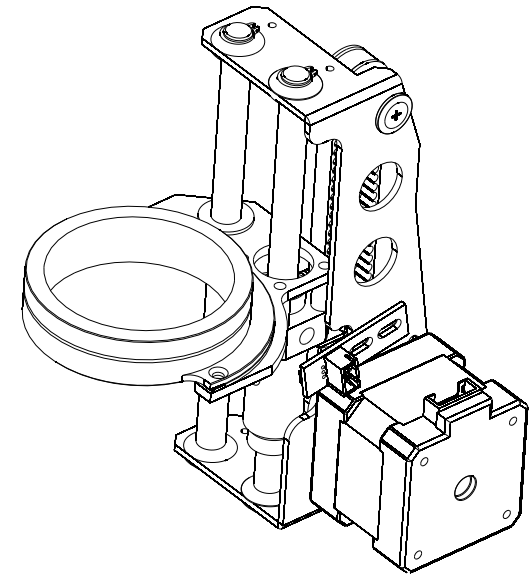
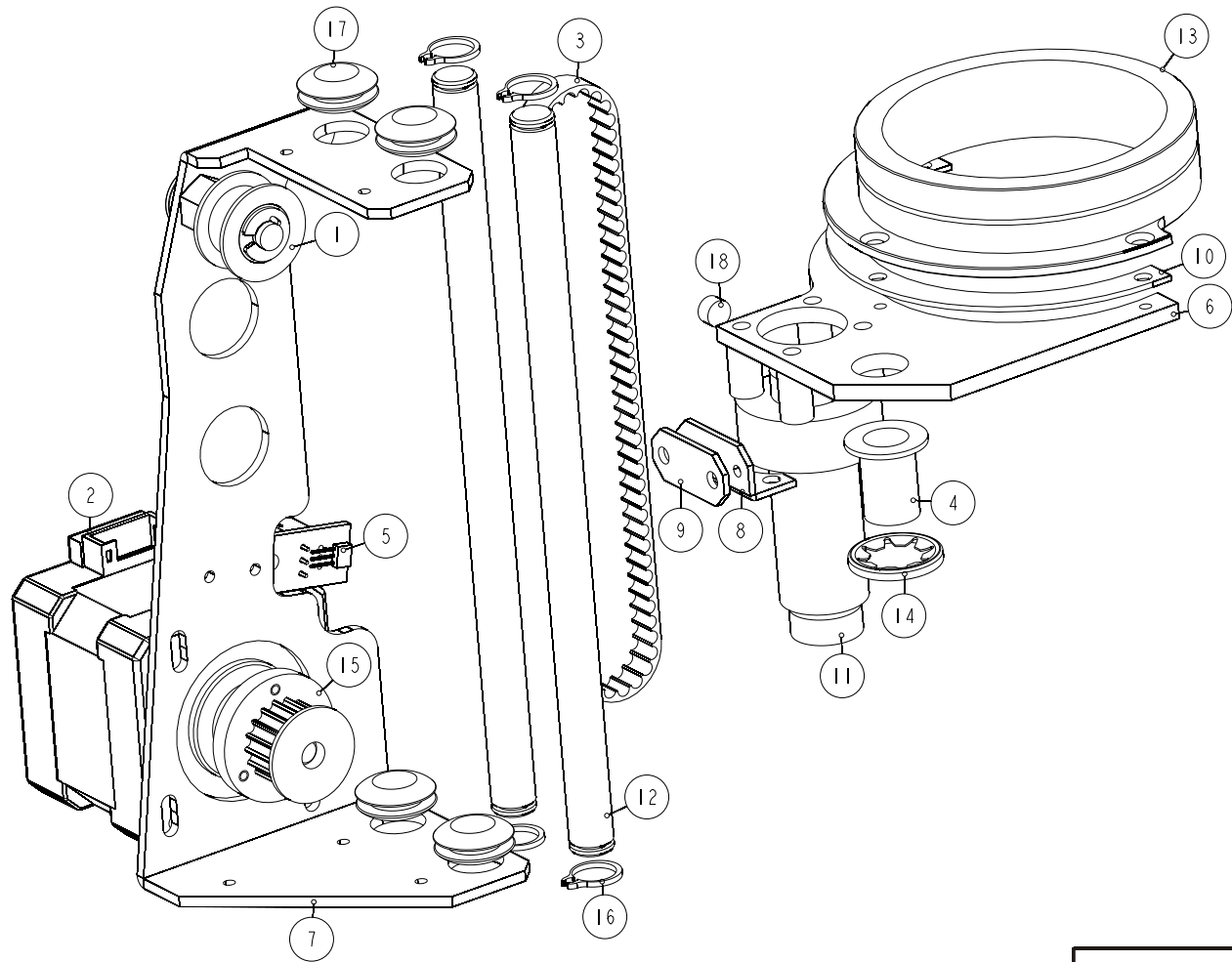
PRODUCT		<b>PHS-575</b>			
PIC. NO.		<b>V575S-03-4-20_A00</b>			
EDIT		FILE NO.	GS-EXP-283A	PAGE NO.	18/30
CHECK		VERSION	NR	DATE	2007.08.25
APPROVE		ECN NO.		DATE	



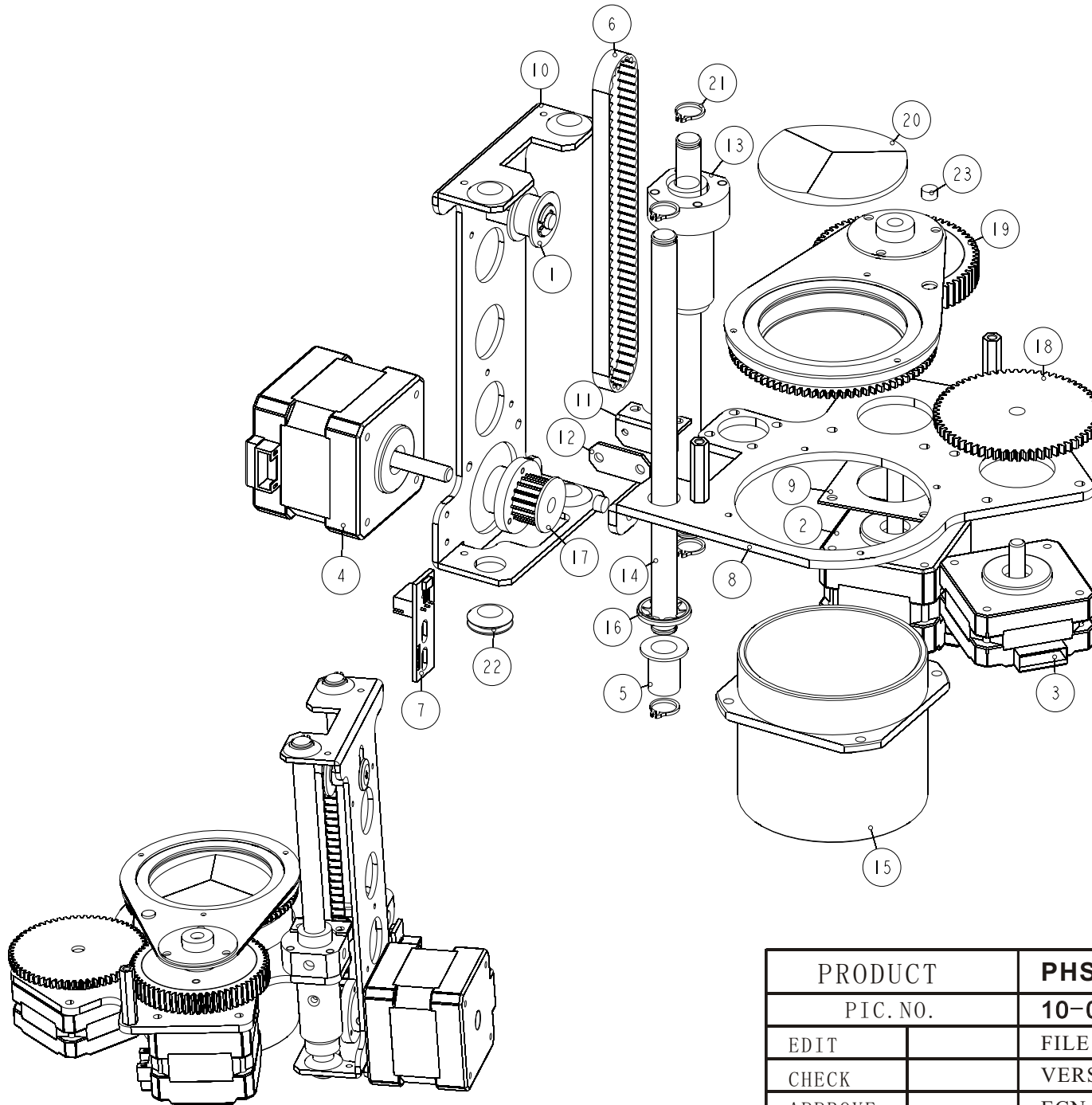
PRODUCT		<b>PHS-575</b>			
PIC. NO.		<b>13-0043-04-04-00</b>			
EDIT		FILE NO.	GS-EXP-282A	PAGE NO.	19/30
CHECK		VERSION	NR	DATE	2007.08.25
APPROVE		ECN NO.		DATE	



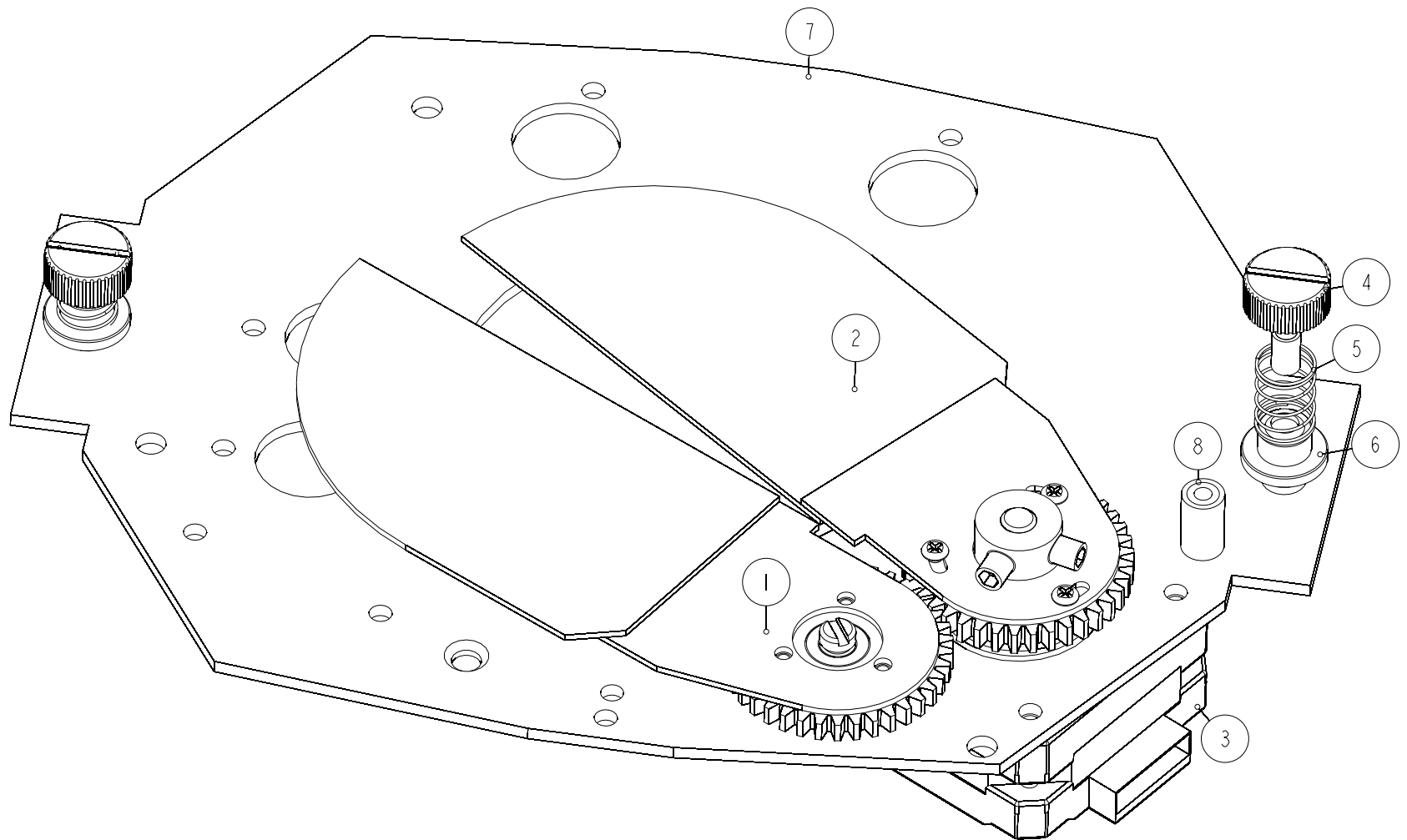
PRODUCT	<b>PHS-575</b>				
PIC. NO.	<b>13-0043-04-04-01</b>				
EDIT		FILE NO.	GS-EXP-282A	PAGE NO.	20/30
CHECK		VERSION	NR	DATE	2007.08.25
APPROVE		ECN NO.		DATE	



PRODUCT		<b>PHS-575</b>			
PIC. NO.		<b>10-0033-04-04-02</b>			
EDIT		FILE NO.	GS-EXP-097A	PAGE NO.	21/30
CHECK		VERSION	NR	DATE	2007.08.25
APPROVE		ECN NO.		DATE	

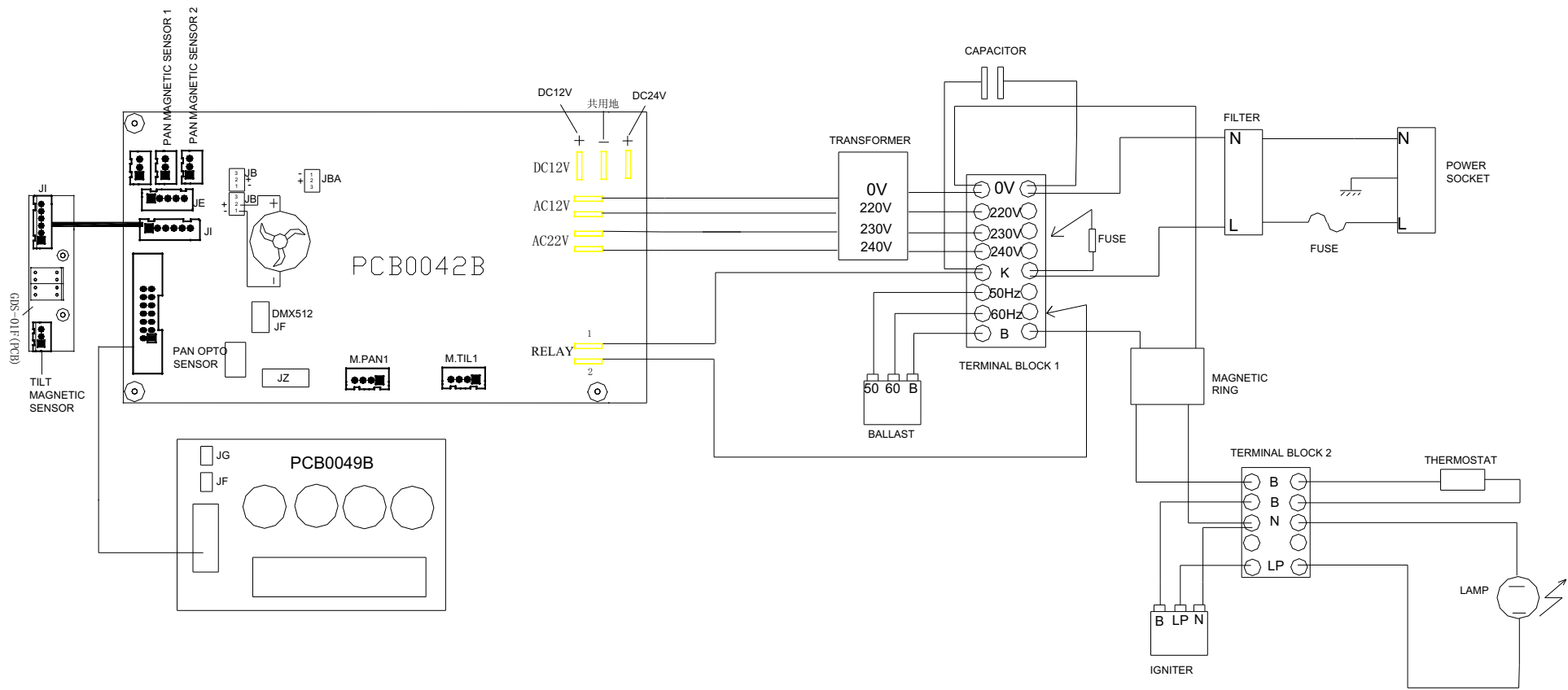


PRODUCT		<b>PHS-575</b>			
PIC. NO.		<b>10-0033-04-04-03</b>			
EDIT		FILE NO.	GS-EXP-097A	PAGE NO.	22/30
CHECK		VERSION	NR	DATE	2007.08.25
APPROVE		ECN NO.		DATE	

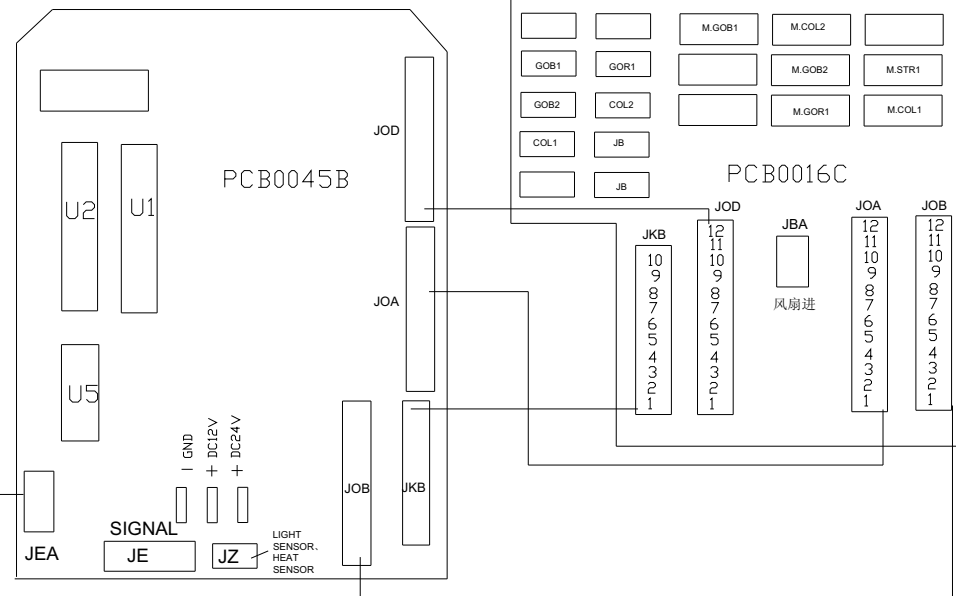
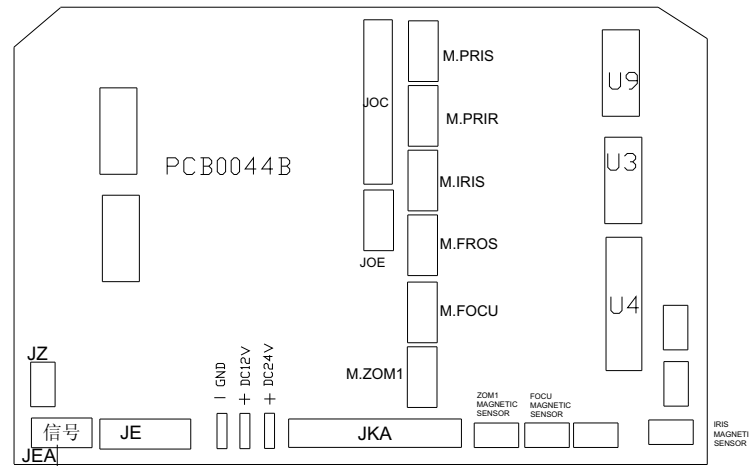


PRODUCT		<b>PHS-575</b>			
PIC. NO.		<b>10-0033-04-04-04</b>			
EDIT		FILE NO.	GS-EXP-097A	PAGE NO.	23/30
CHECK		VERSION	NR	DATE	2007.08.25
APPROVE		ECN NO.		DATE	

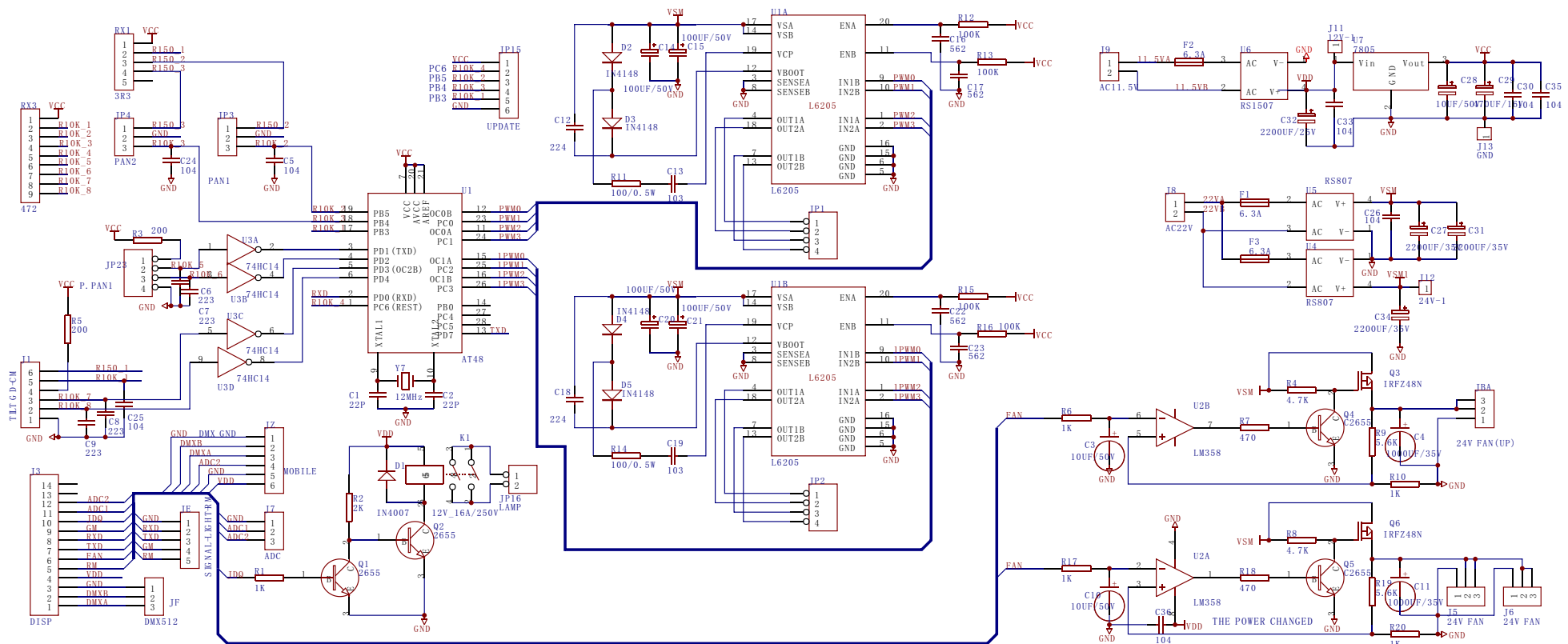




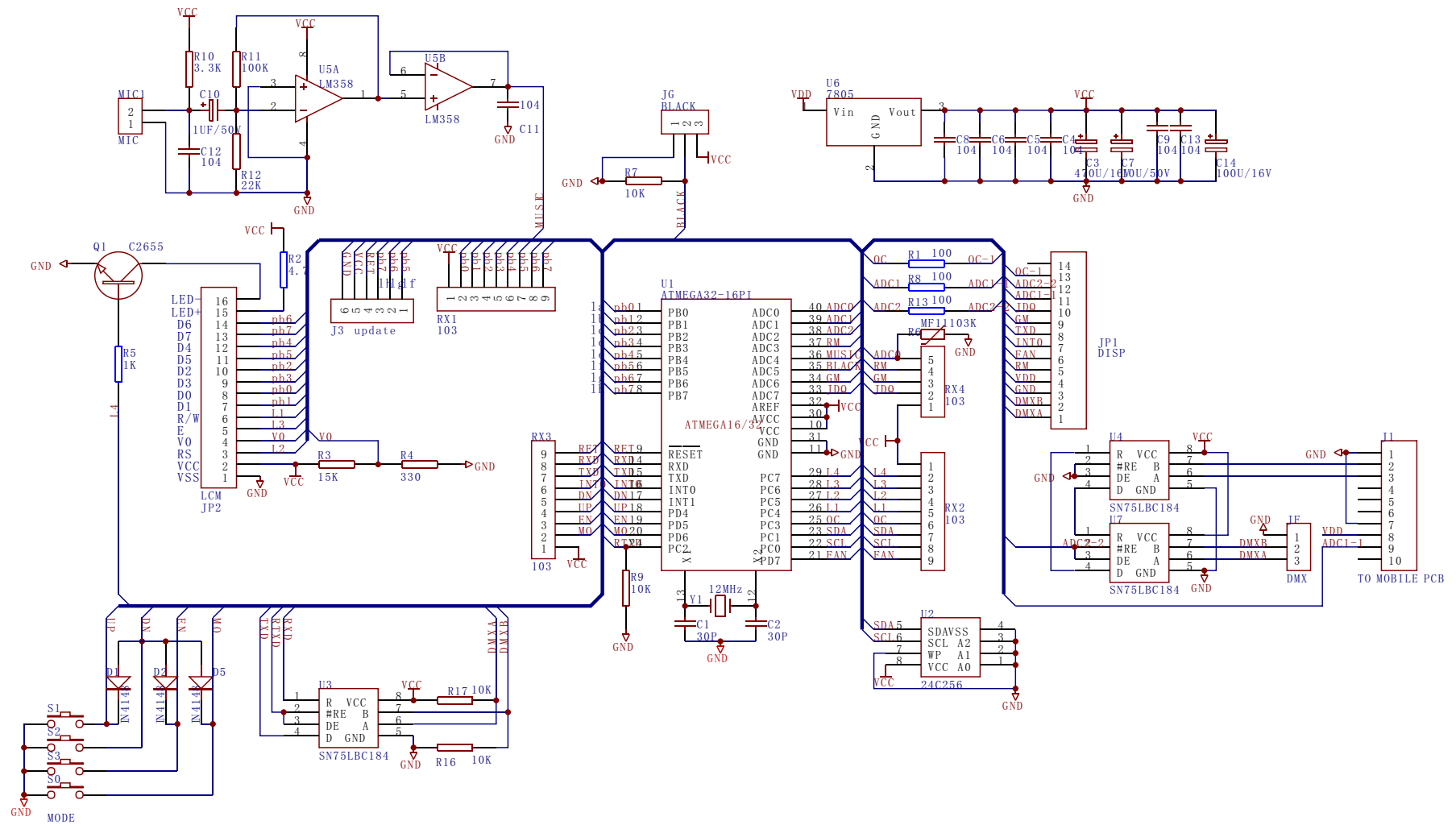
PRODUCT		<b>PHS-575</b>			
PIC. NO.		<b>V575B ELECTRIC</b>			
EDIT		FILE NO.	GS-WIJL-A011	PAGE NO.	24/30
CHECK		VERSION	NR	DATE	2007.08.25
APPROVE		ECN NO.		DATE	



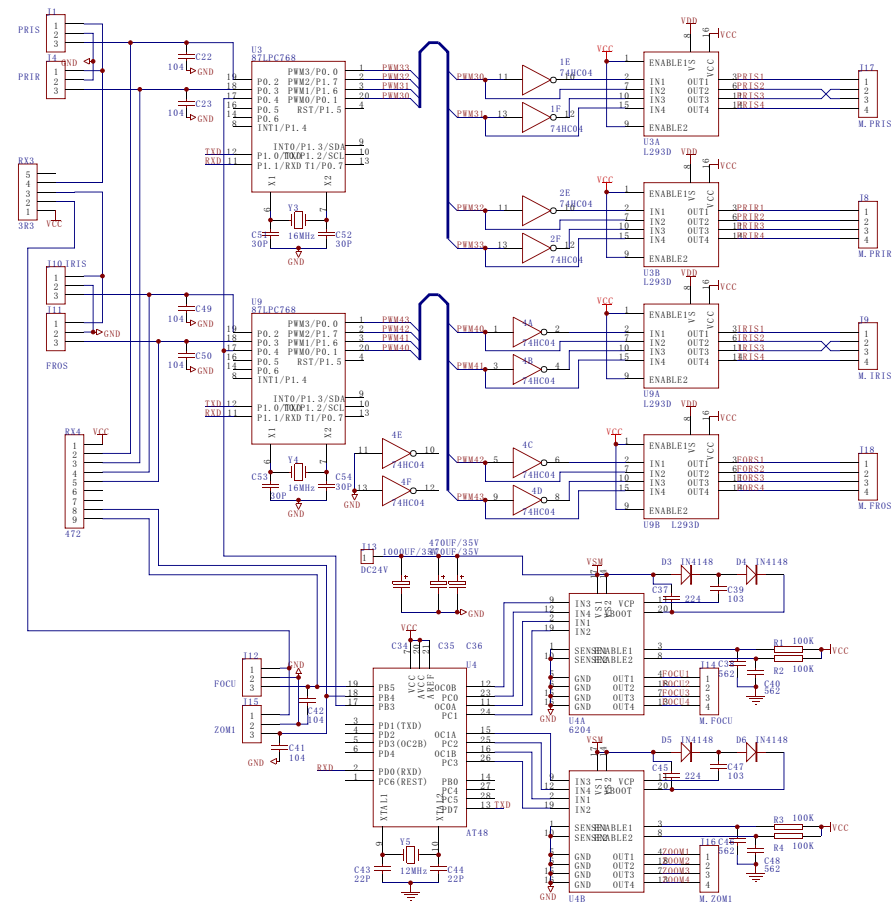
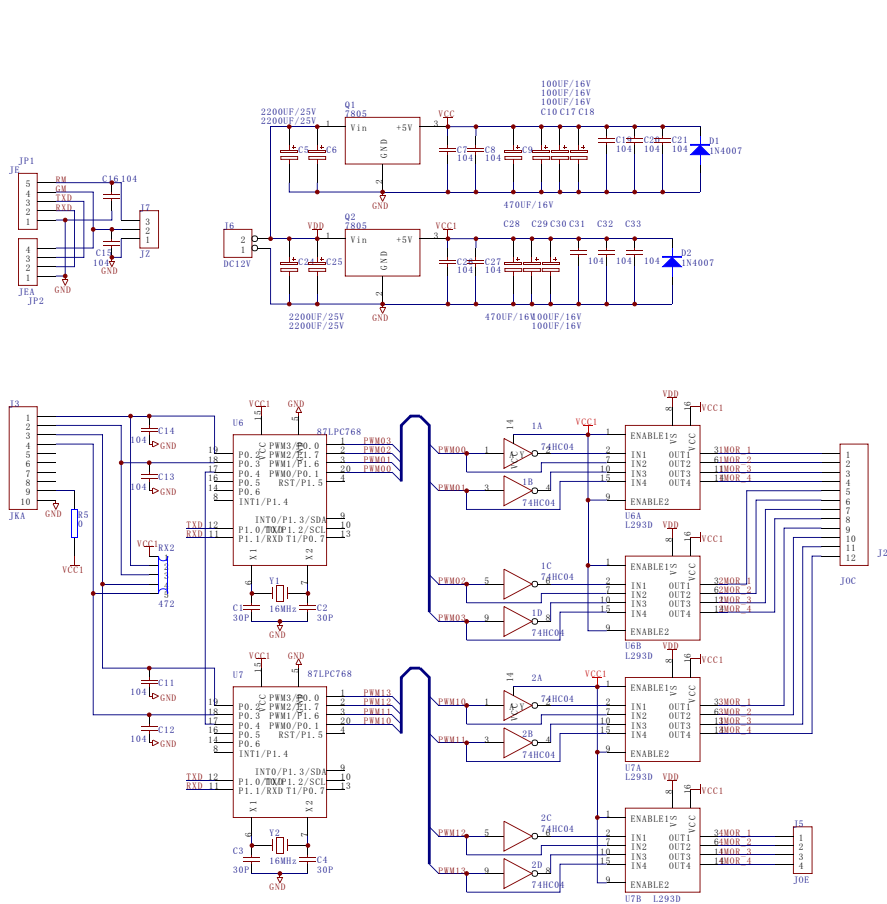
PRODUCT		PHS-575			
PIC. NO.		V575B ELECTRIC			
EDIT		FILE NO.	GS-WIJL-A011	PAGE NO.	25/30
CHECK		VERSION	A	DATE	2007.08.25
APPROVE		ECN NO.		DATE	



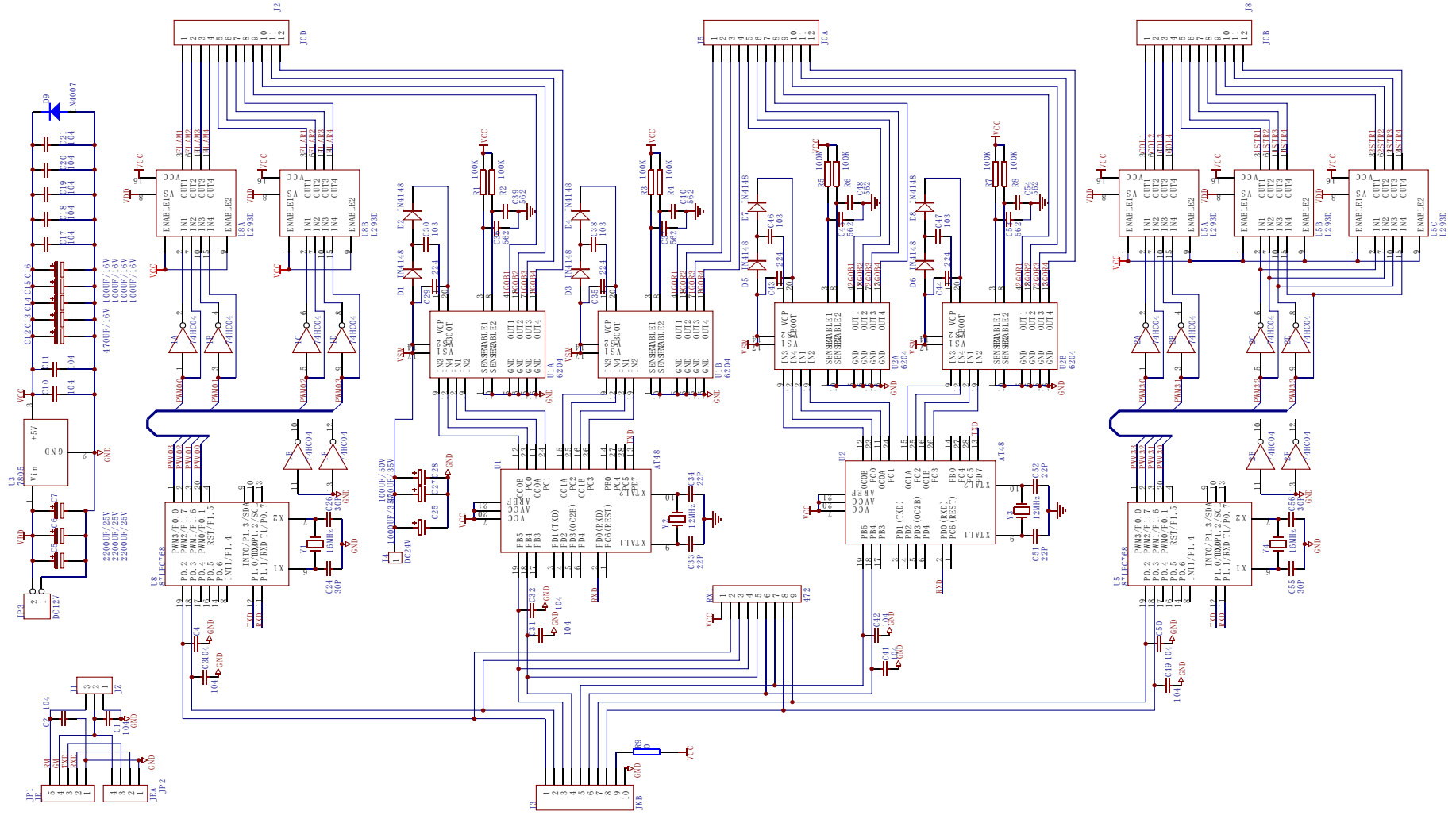
PRODUCT		PHS-575			
PIC. NO.		V575B SCHEMES			
EDIT		FILE NO.	GS-WIJL-148	PAGE NO.	26/30
CHECK		VERSION	NR	DATE	2007.08.25
APPROVE		ECN NO.		DATE	



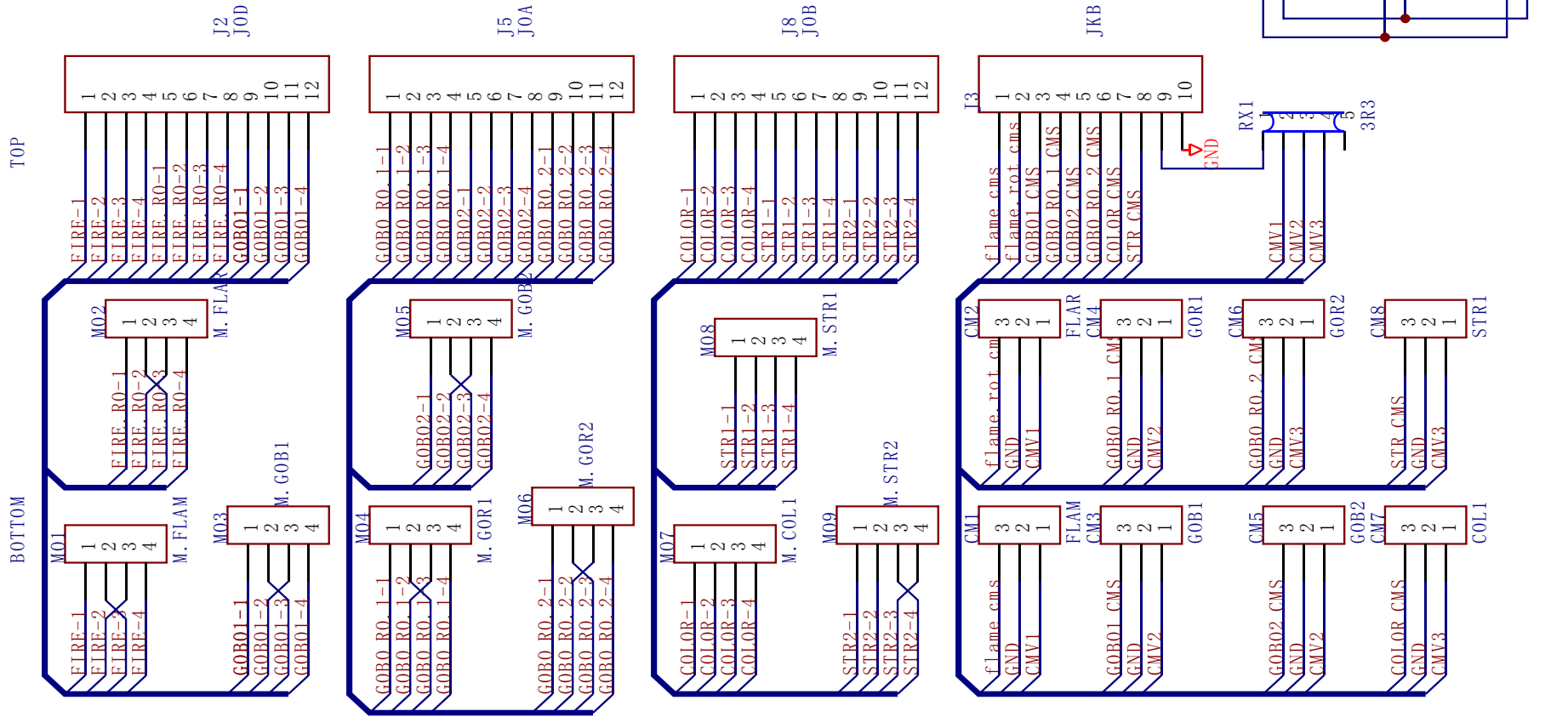
PRODUCT		PHS-575			
PIC. NO.		V575B SCHEMES			
EDIT		FILE NO.	GS-WIJL-155	PAGE NO.	27/30
CHECK		VERSION	NR	DATE	2007.08.25
APPROVE		ECN NO.		DATE	



PRODUCT		PHS-575			
PIC. NO.		V575B SCHEMES			
EDIT		FILE NO.	GS-WIJL-150	PAGE NO.	28/30
CHECK		VERSION	NR	DATE	2007.08.25
APPROVE		ECN NO.		DATE	



PRODUCT		<b>PHS-575</b>			
PIC. NO.		<b>V575B SCHEMES</b>			
EDIT		FILE NO.	GS-WIJL-146	PAGE NO.	29/30
CHECK		VERSION	NR	DATE	2007.08.25
APPROVE		ECN NO.		DATE	



PRODUCT		<b>PHS-575</b>			
PIC. NO.		<b>V575B SCHEMES</b>			
EDIT		FILE NO.	GS-WIJL-151	PAGE NO.	30/30
CHECK		VERSION	NR	DATE	2007.08.25
APPROVE		ECN NO.		DATE	