

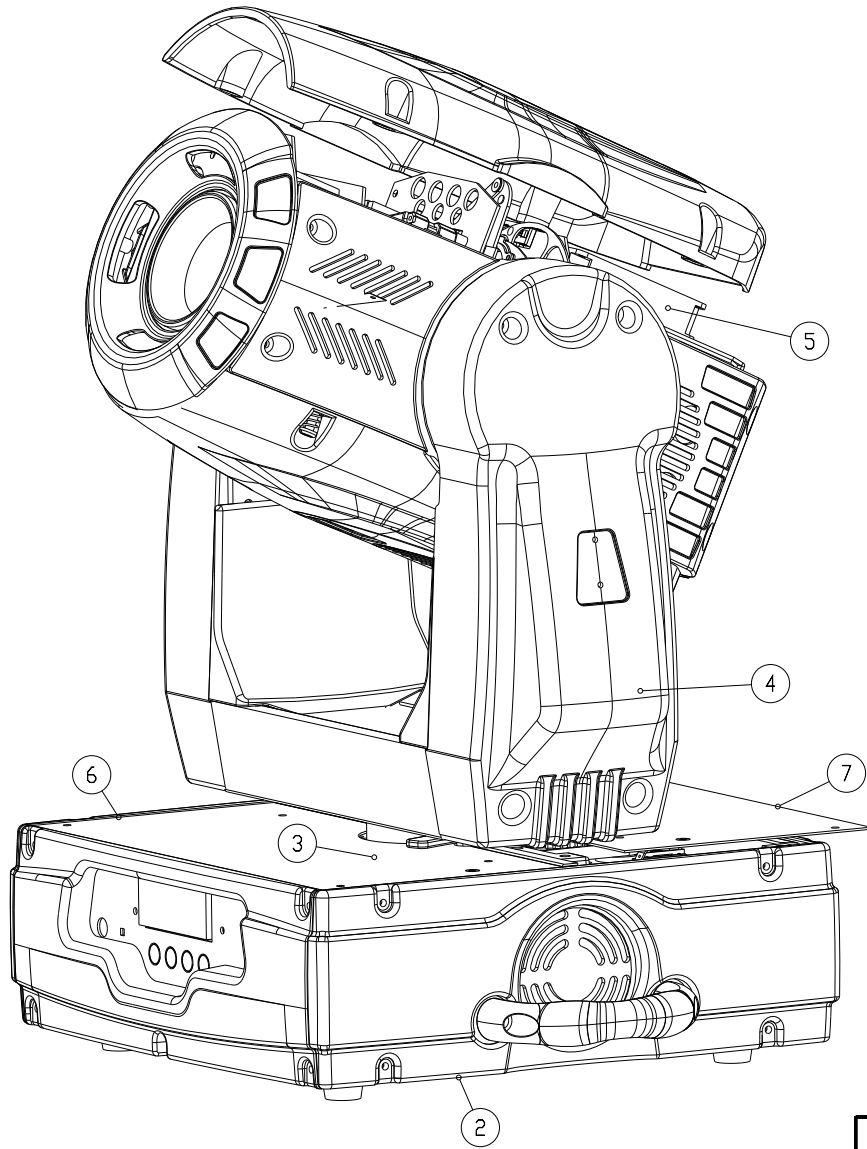
Service manual

PHS-280

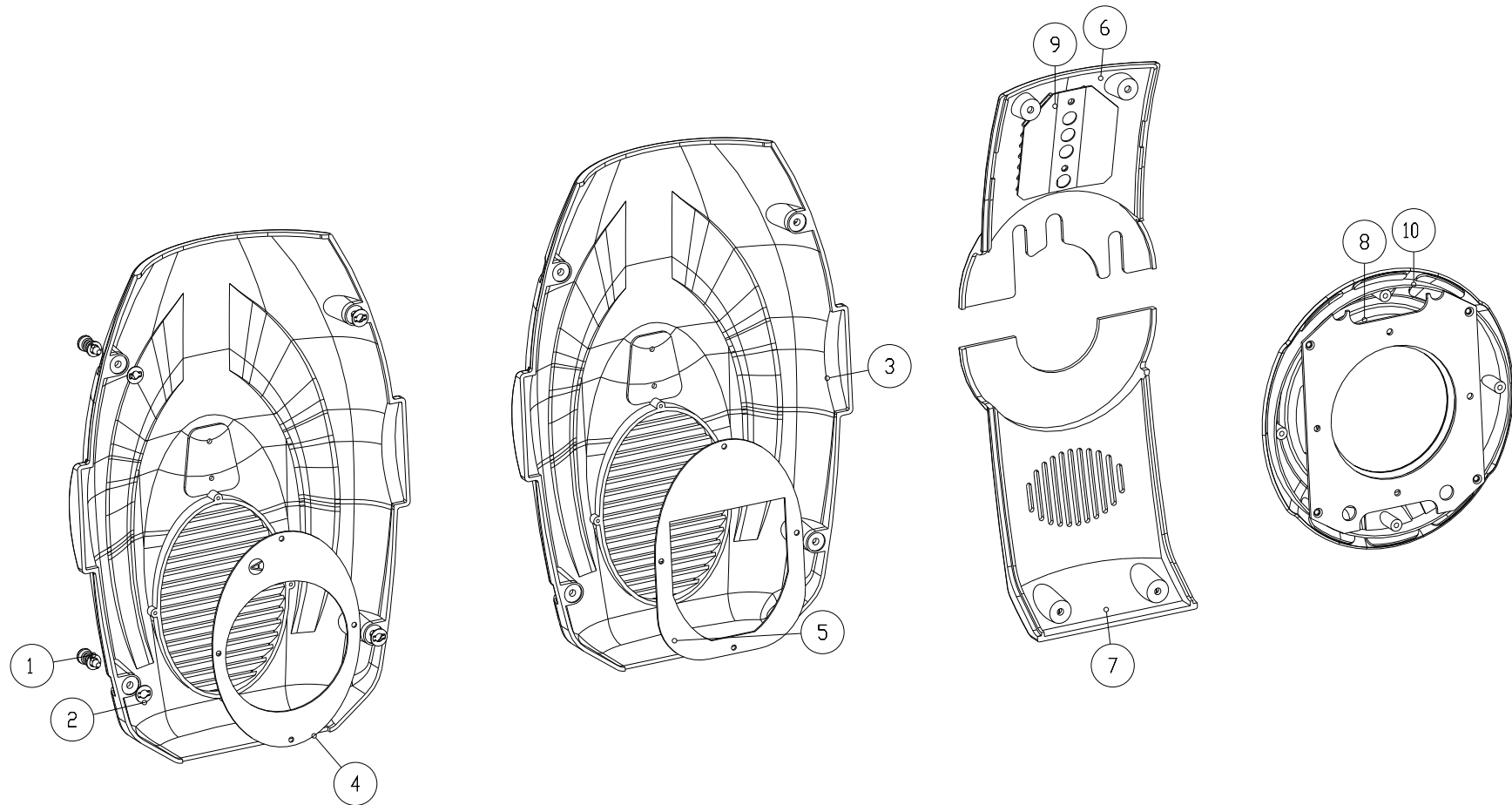
- ※ **Exploded Diagrams**
- ※ **Circuit Diagrams**
- ※ **Wiring Diagrams**
- ※ **Parts List**



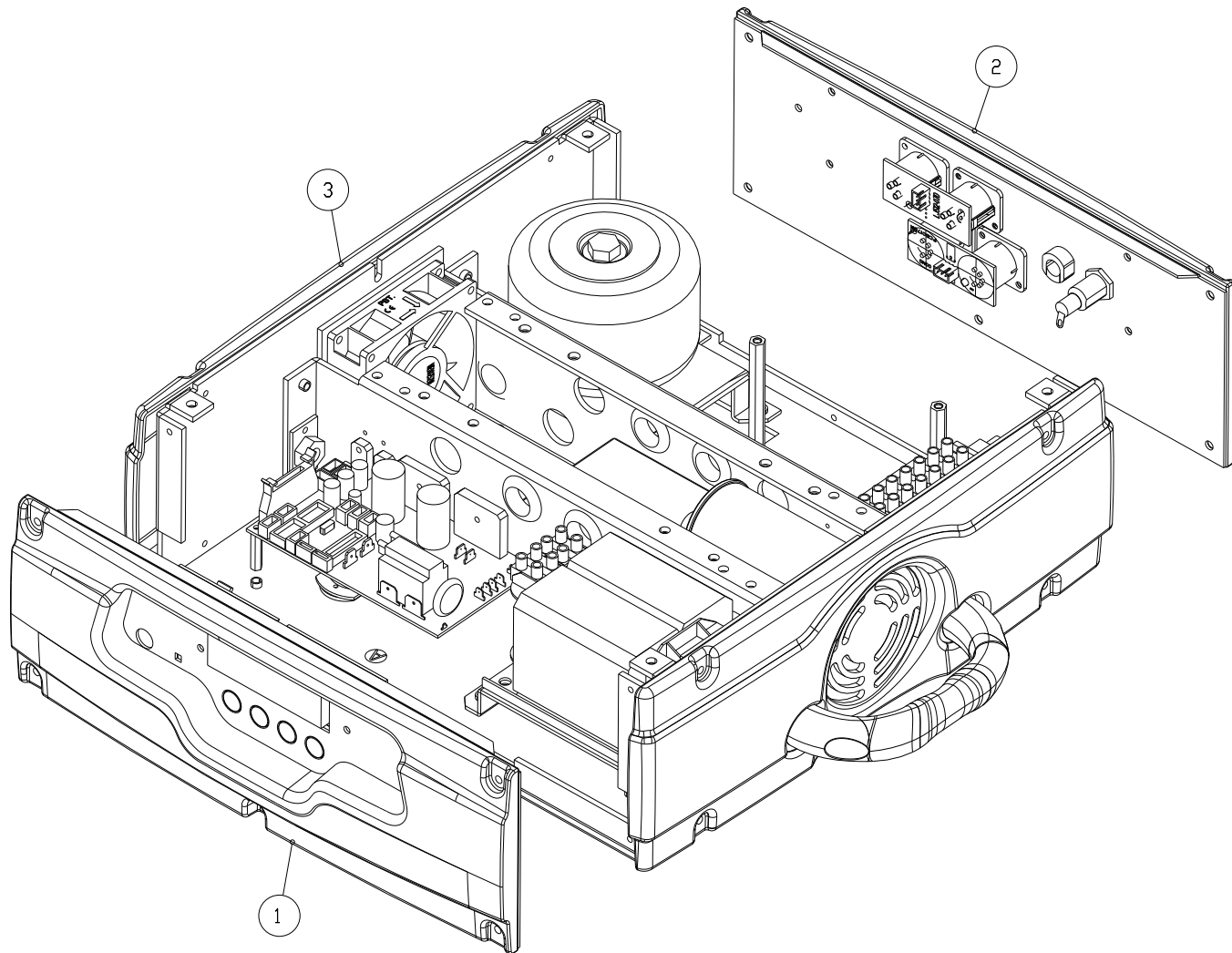
PRODUCT		PHS-280		
PIC. NO.		Front Page	Series No.	51838206X09NXS00010001- 51838206X09NXS00010150
EDIT		FILE NO.	HY-EXP-680A	
CHECK		ORDER NO.	SO20090612	
APPROVE		VERSION	NR	SOFTWARE VER. V1.0



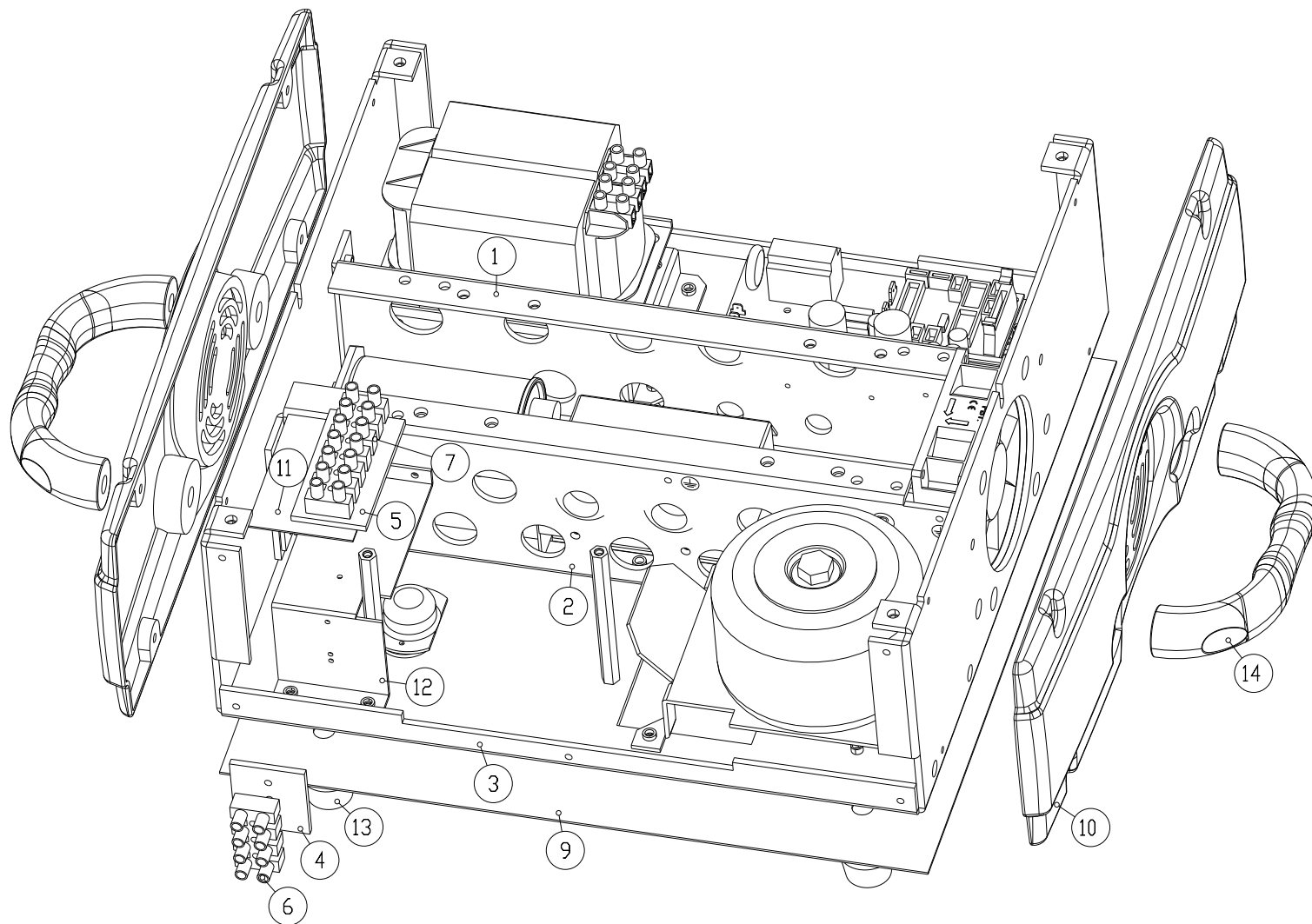
PRODUCT		PHS-280			
PIC. NO.		13-0073-00-00-00			
EDIT		FILE NO.	HY-EXP-680A	PAGE NO.	1/31
CHECK		VERSION	NR	DATE	2010.04.08
APPROVE		ECN NO.		DATE	



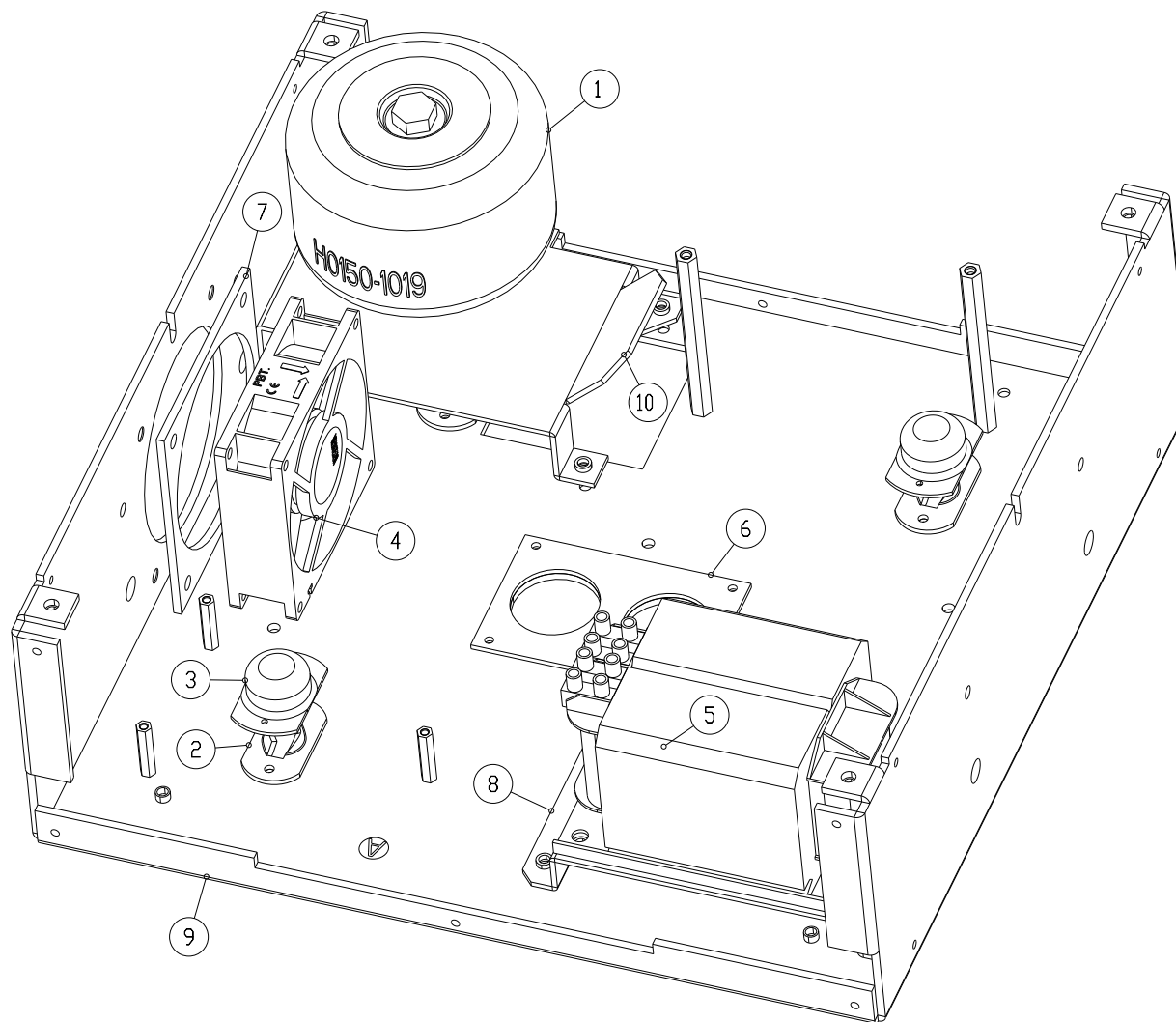
PRODUCT		PHS-280			
PIC. NO.		13-0073-00-00-SJK			
EDIT		FILE NO.	HY-EXP-680A	PAGE NO.	2/31
CHECK		VERSION	NR	DATE	2010.04.08
APPROVE		ECN NO.		DATE	



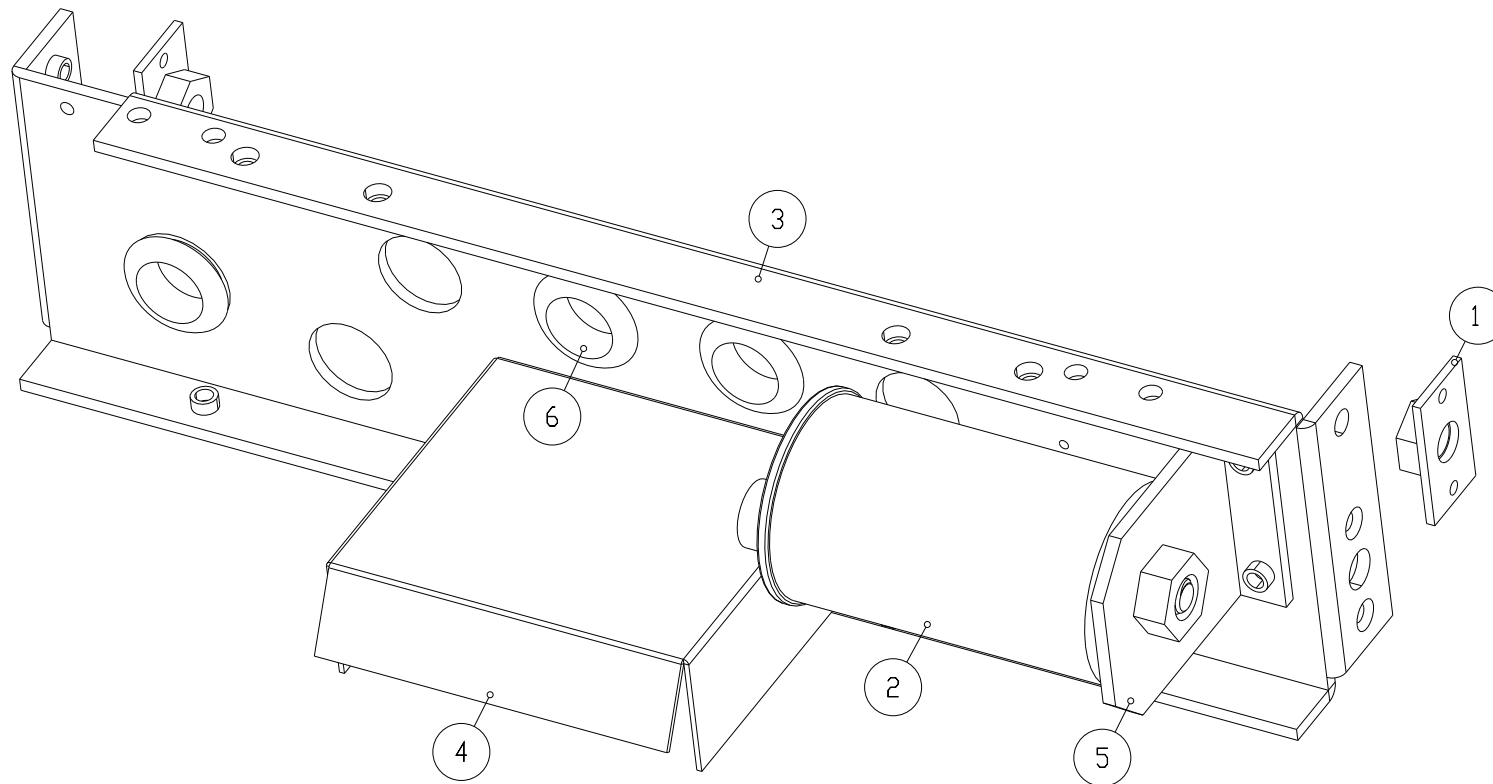
PRODUCT		PHS-280			
PIC. NO.		13-0073-01-00-00			
EDIT		FILE NO.	HY-EXP-680A	PAGE NO.	3/31
CHECK		VERSION	NR	DATE	2010.04.08
APPROVE		ECN NO.		DATE	



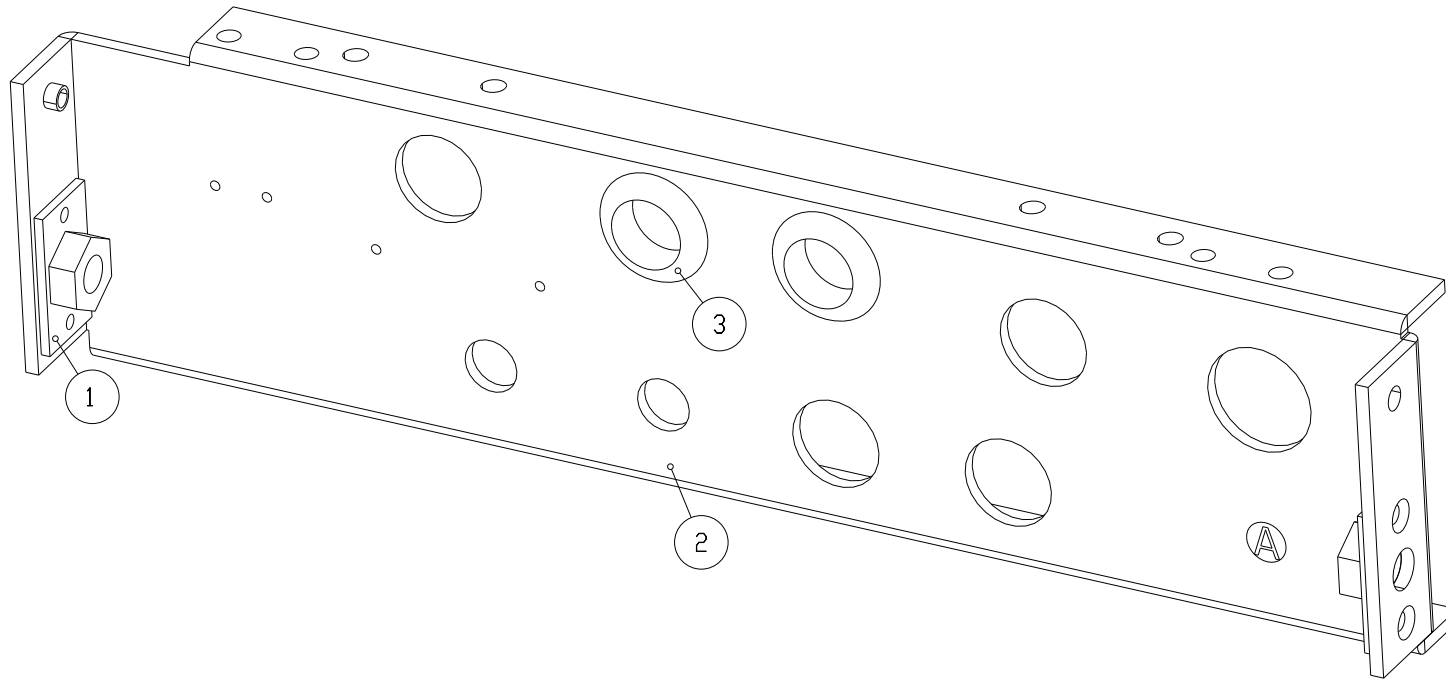
PRODUCT		PHS-280			
PIC. NO.		13-0073-01-01-00			
EDIT		FILE NO.	HY-EXP-680A	PAGE NO.	4/31
CHECK		VERSION	NR	DATE	2010.04.08
APPROVE		ECN NO.		DATE	



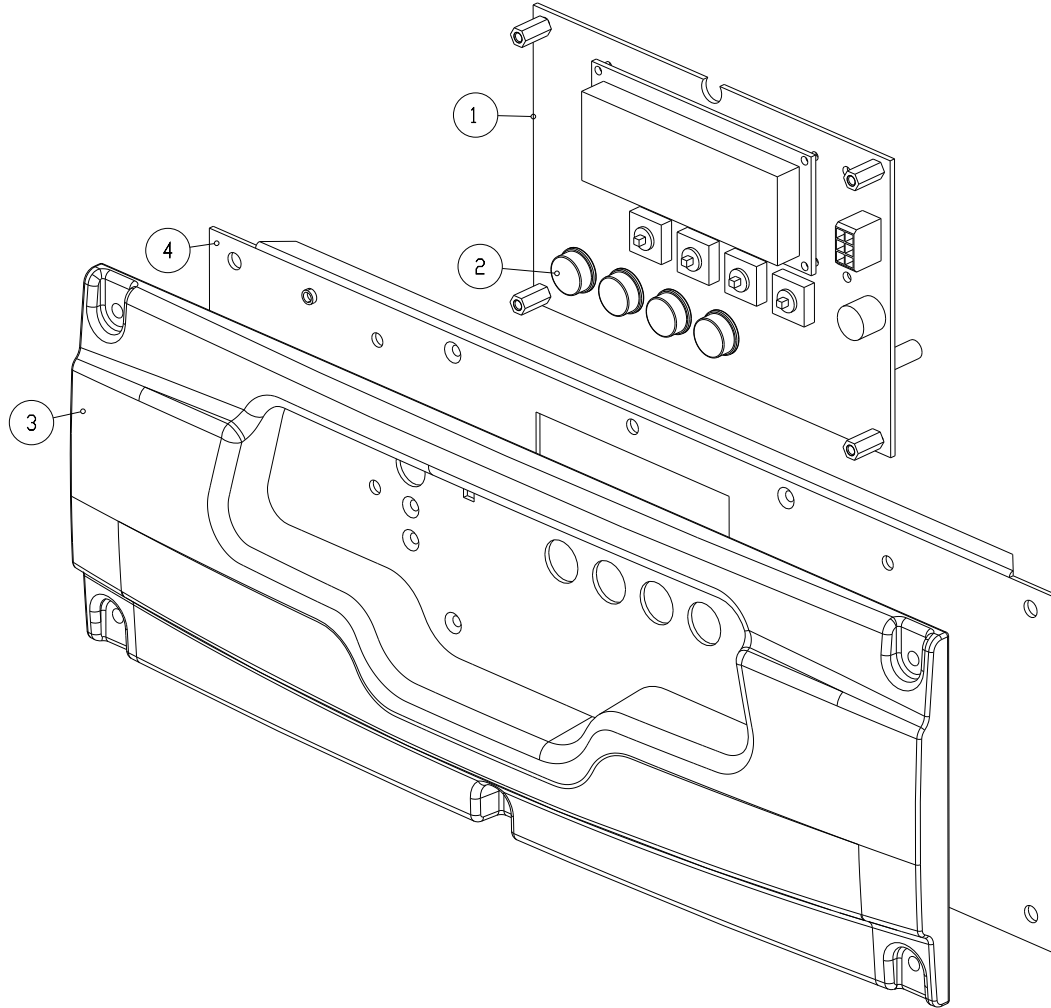
PRODUCT		PHS-280			
PIC. NO.		13-0073-01-01-01			
EDIT		FILE NO.	HY-EXP-680A	PAGE NO.	5/31
CHECK		VERSION	NR	DATE	2010.04.08
APPROVE		ECN NO.		DATE	



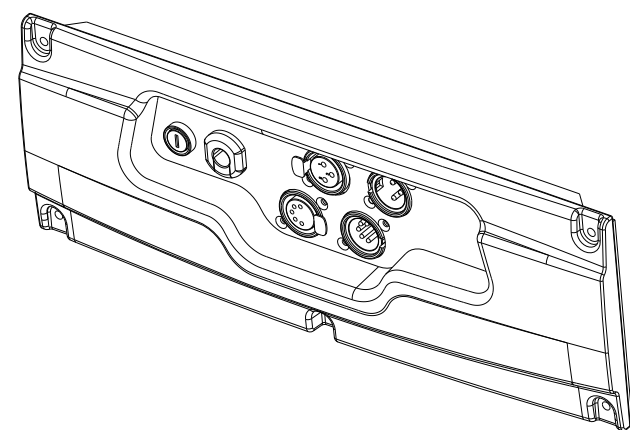
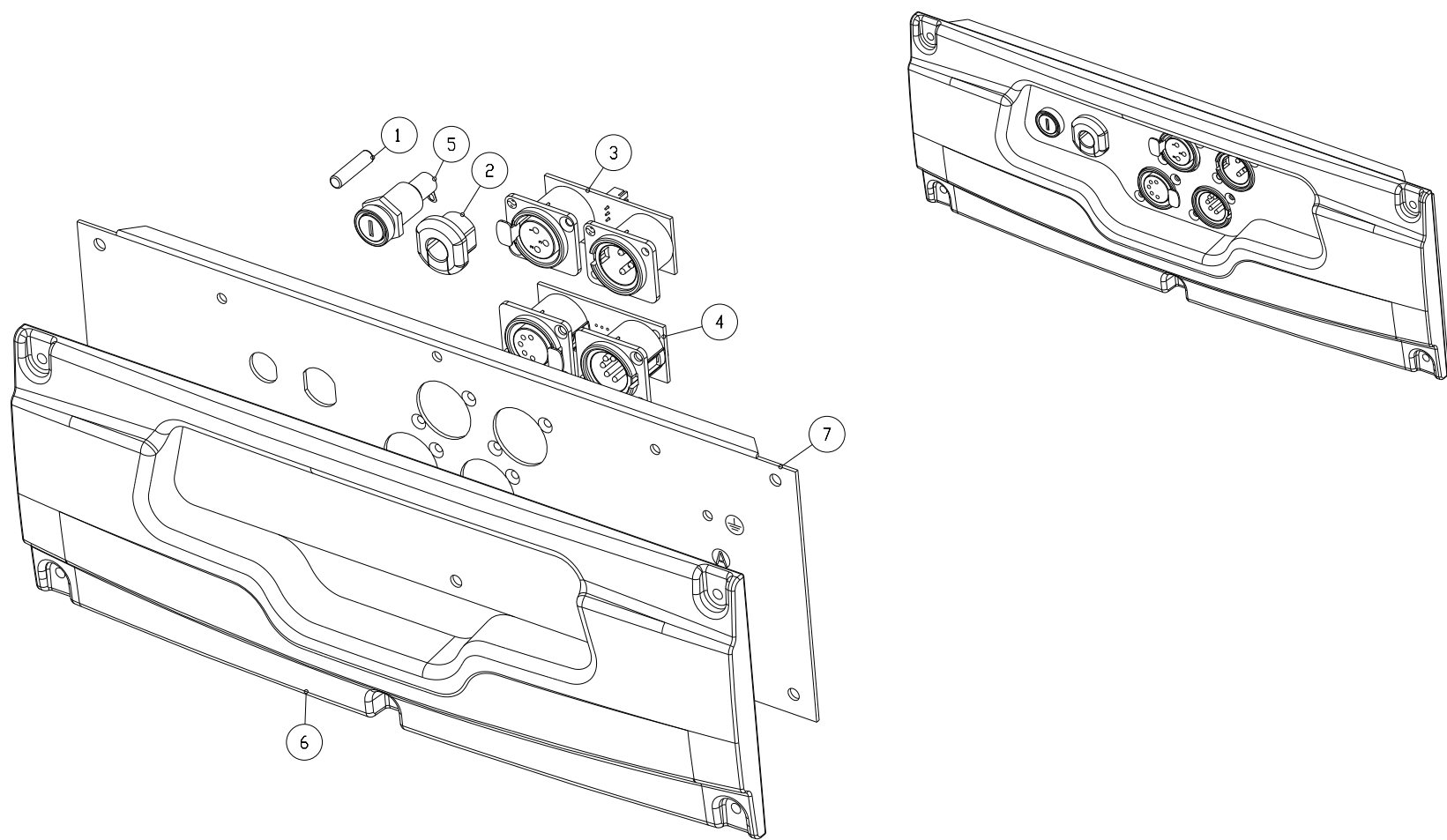
PRODUCT		PHS-280			
PIC. NO.		13-005-01-01-02			
EDIT		FILE NO.	HY-EXP-680A	PAGE NO.	6/31
CHECK		VERSION	NR	DATE	2010.04.08
APPROVE		ECN NO.		DATE	



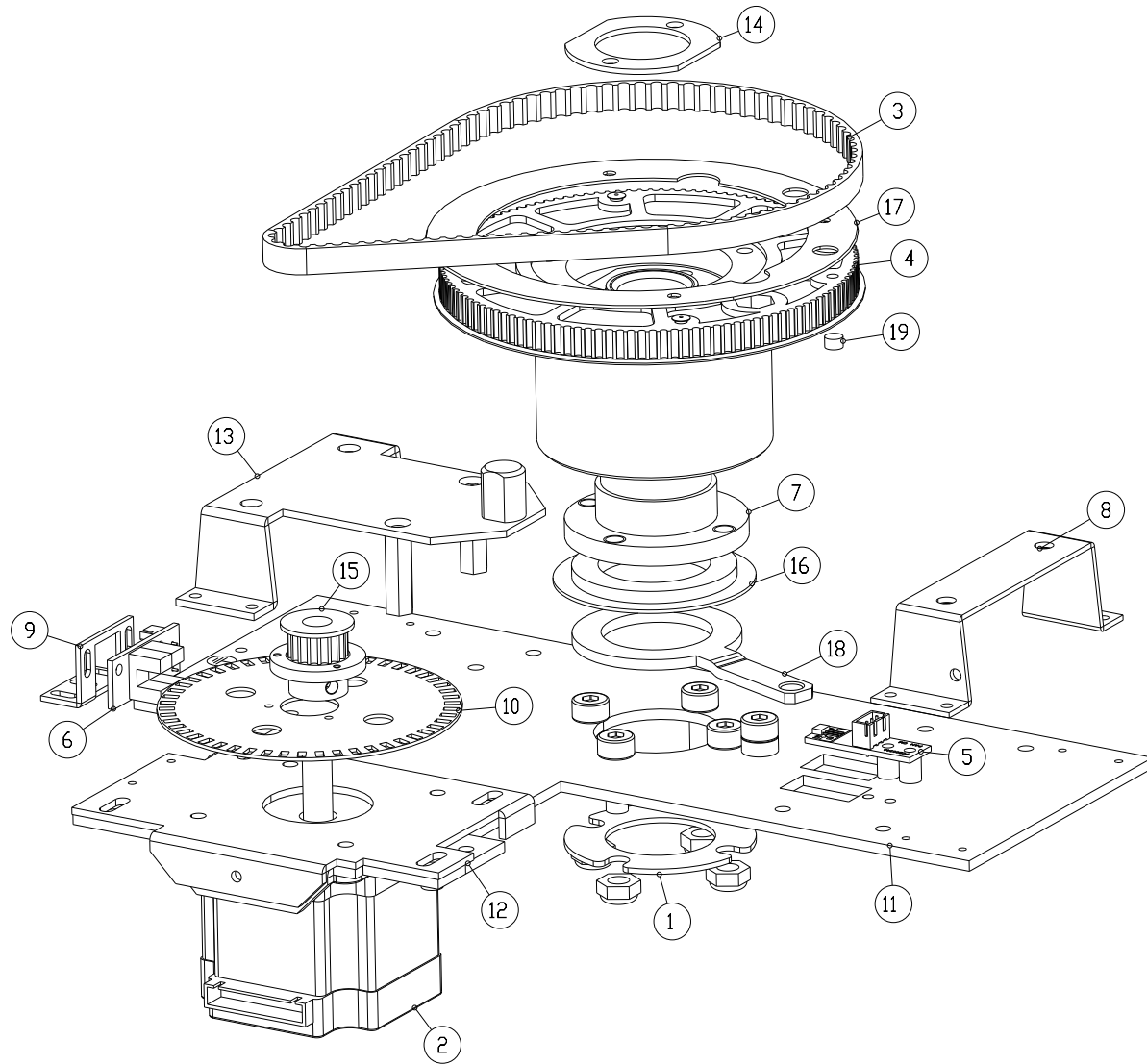
PRODUCT		PHS-280			
PIC. NO.		13-0073-01-01-03			
EDIT		FILE NO.	HY-EXP-680A	PAGE NO.	7/31
CHECK		VERSION	NR	DATE	2010.04.08
APPROVE		ECN NO.		DATE	



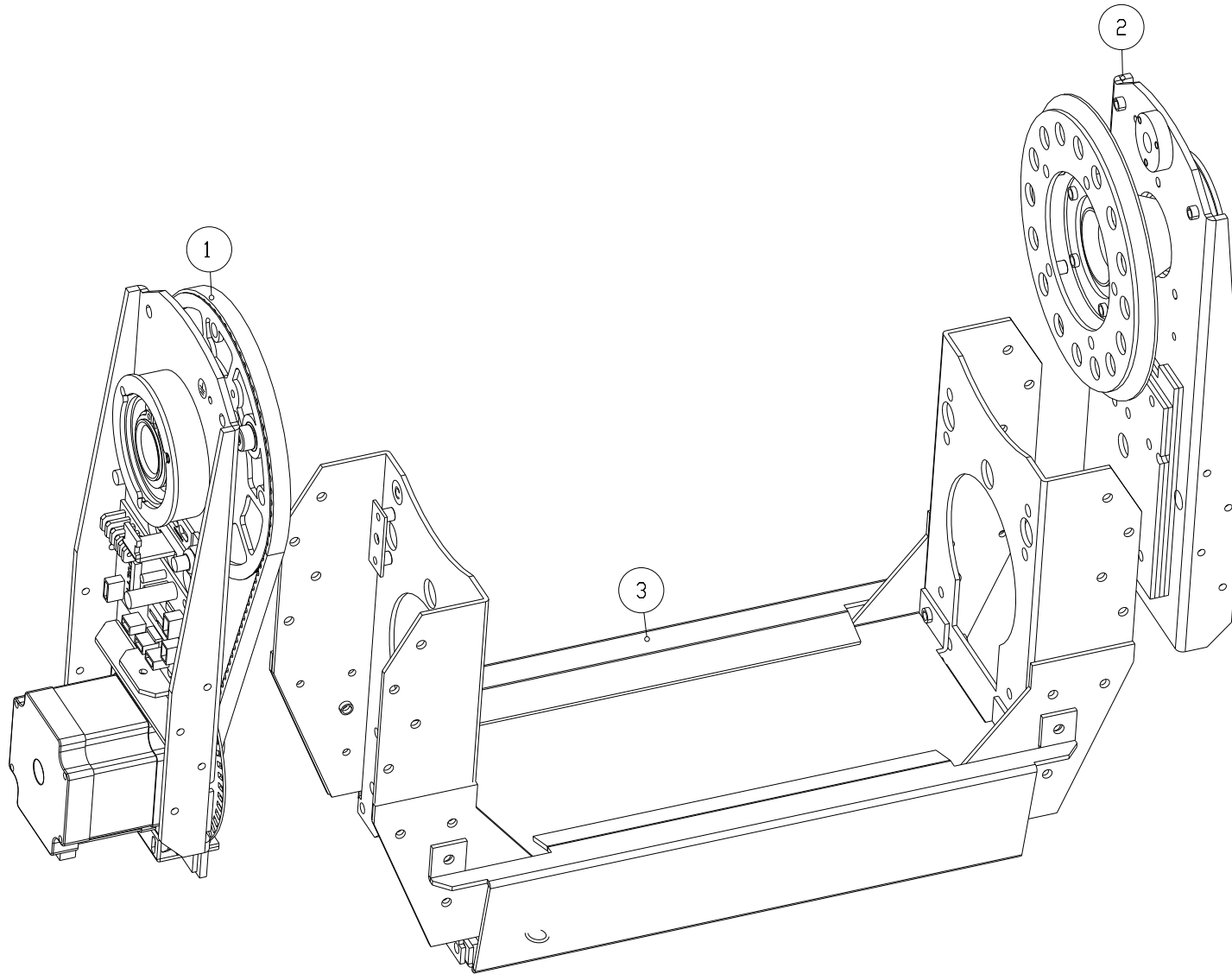
PRODUCT		PHS-280			
PIC. NO.		13-0073-01-02-00			
EDIT		FILE NO.	HY-EXP-680A	PAGE NO.	8/31
CHECK		VERSION	NR	DATE	2010.04.08
APPROVE		ECN NO.		DATE	



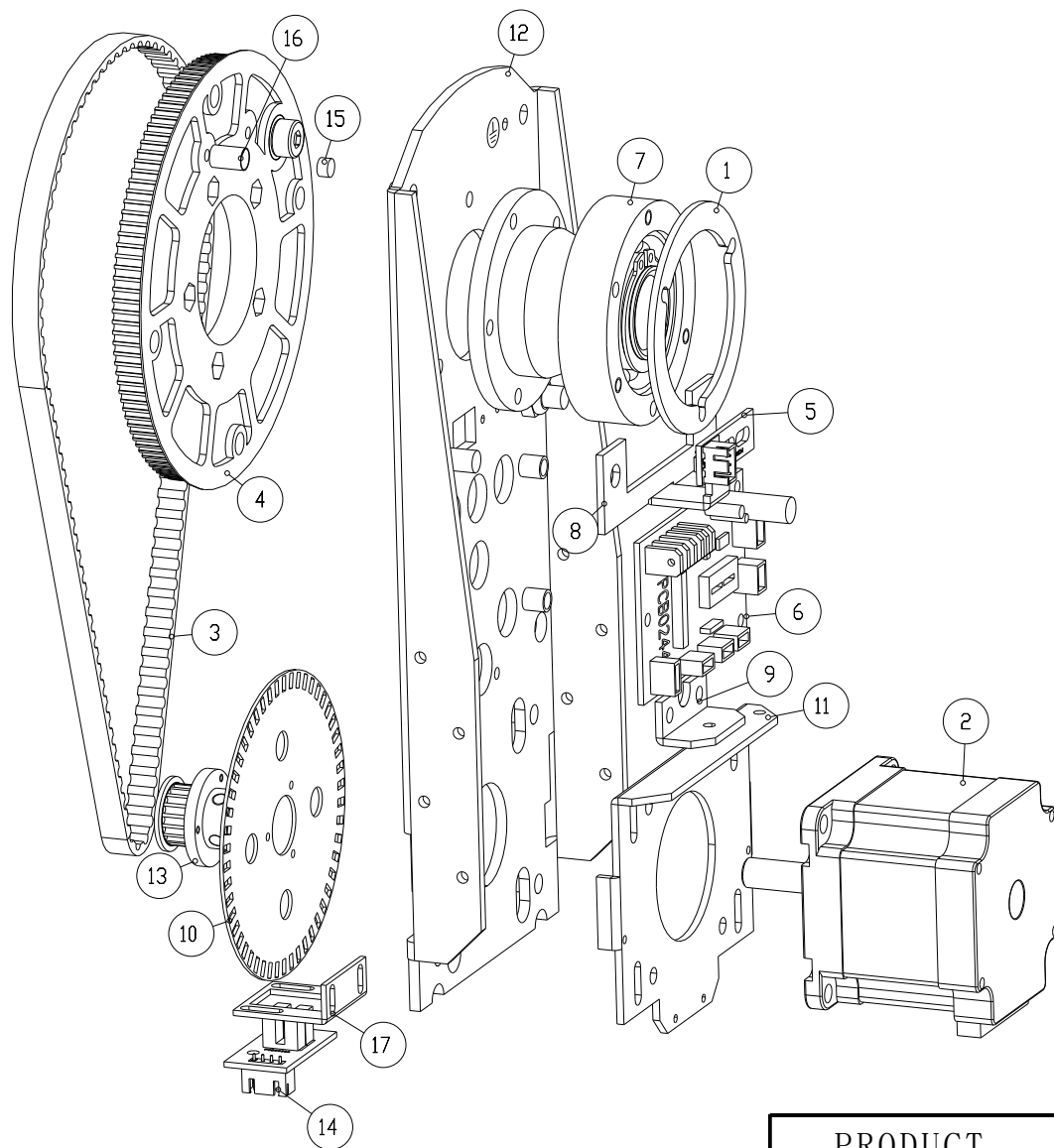
PRODUCT		PHS-280			
PIC. NO.		13-0073-01-03-00			
EDIT		FILE NO.	HY-EXP-680A	PAGE NO.	9/31
CHECK		VERSION	NR	DATE	2010.04.08
APPROVE		ECN NO.		DATE	



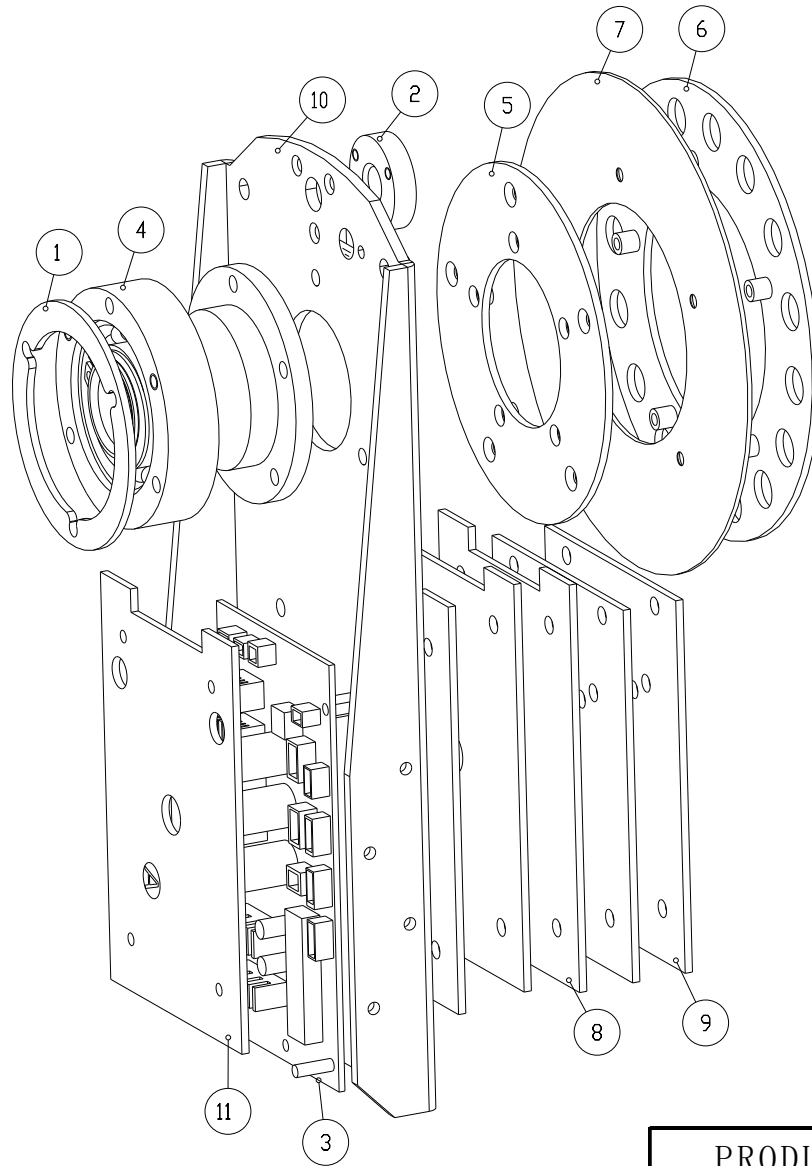
PRODUCT		PHS-280			
PIC. NO.		13-0073-02-00-00			
EDIT		FILE NO.	HY-EXP-680A	PAGE NO.	10/31
CHECK		VERSION	NR	DATE	2010.04.08
APPROVE		ECN NO.		DATE	



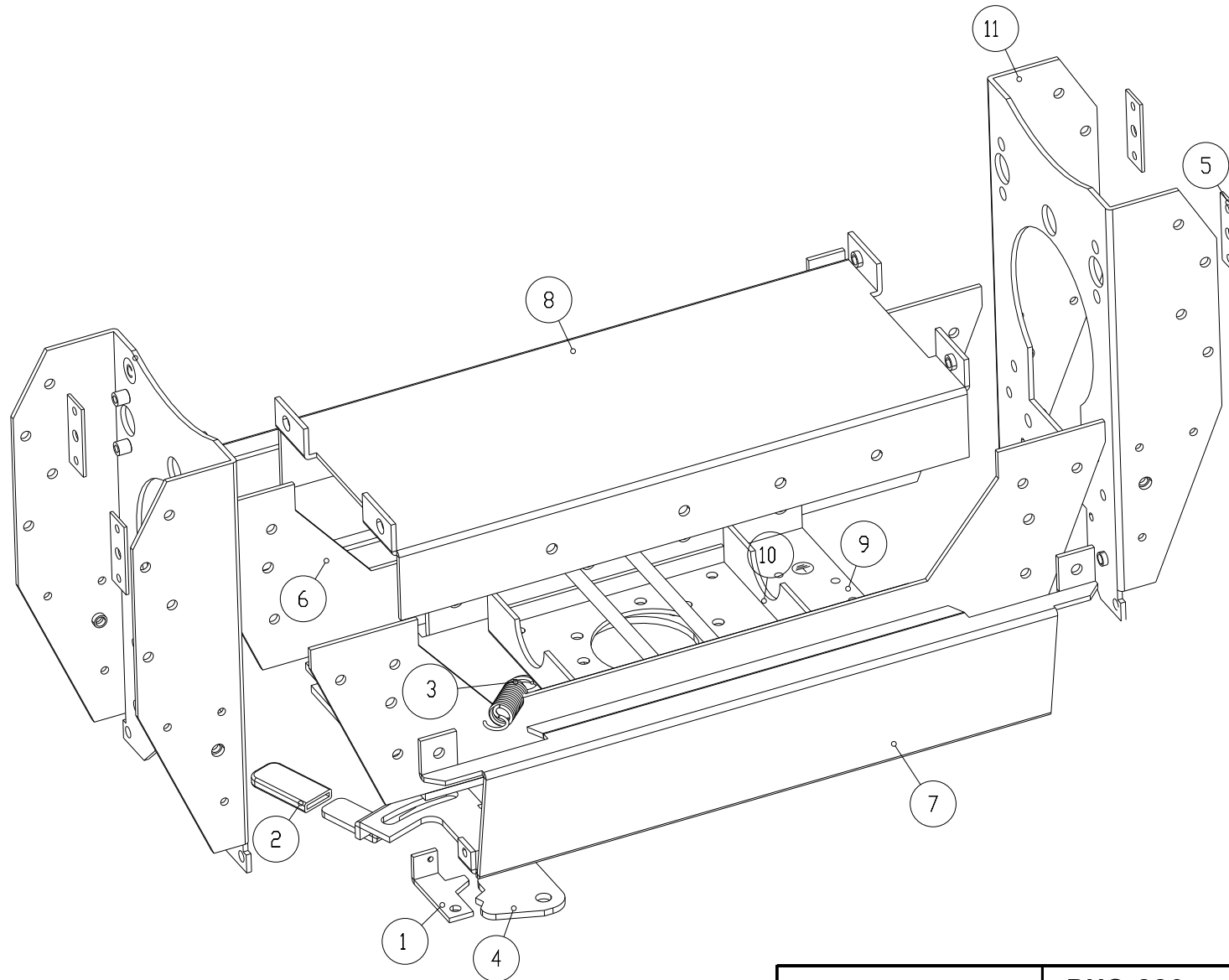
PRODUCT		PHS-280			
PIC. NO.		13-0073-03-00-00			
EDIT		FILE NO.	HY-EXP-680A	PAGE NO.	11/31
CHECK		VERSION	NR	DATE	2010.04.08
APPROVE		ECN NO.		DATE	



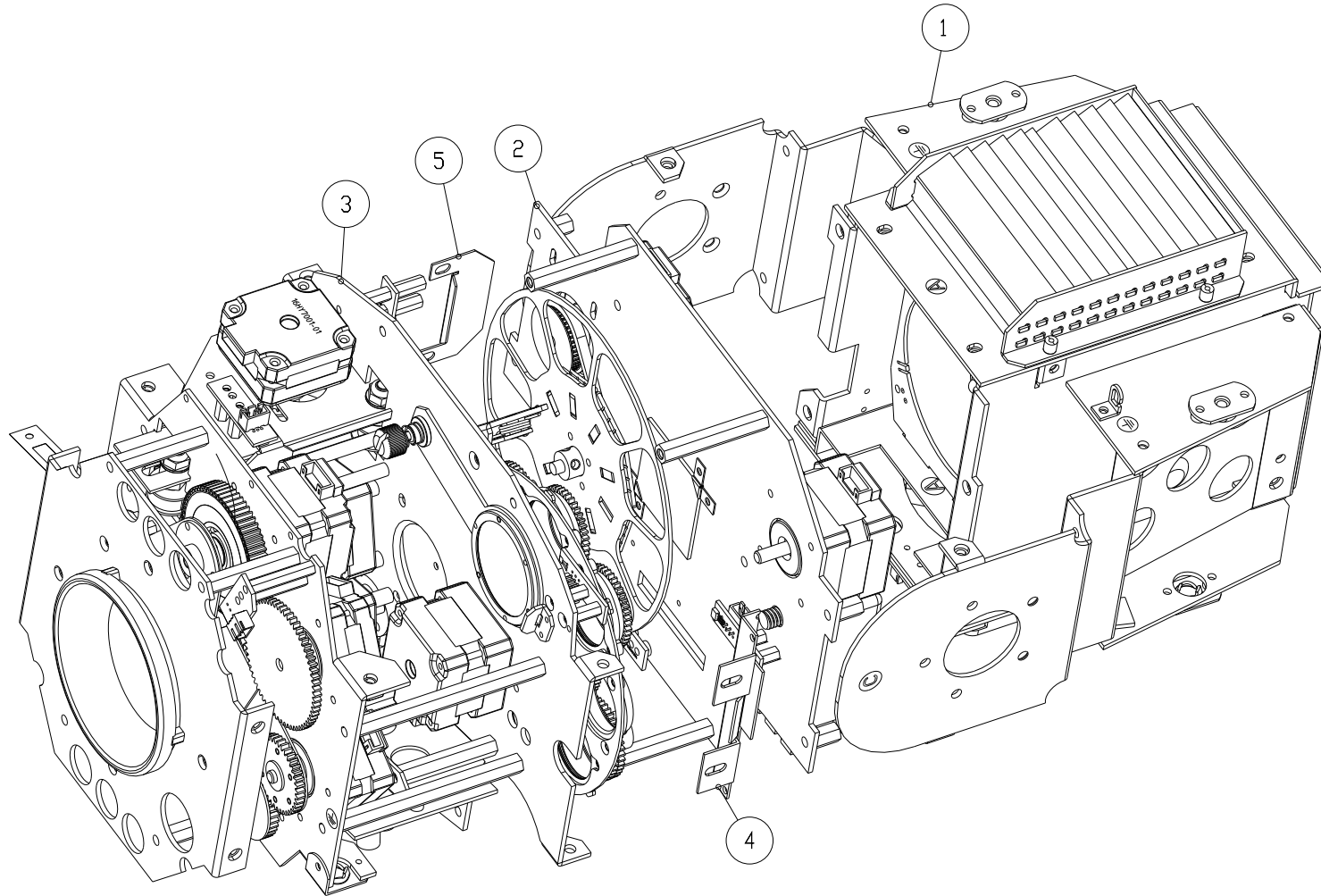
PRODUCT		PHS-280			
PIC. NO.		13-0073-03-01-00			
EDIT		FILE NO.	HY-EXP-680A	PAGE NO.	12/31
CHECK		VERSION	NR	DATE	2010.04.08
APPROVE		ECN NO.		DATE	



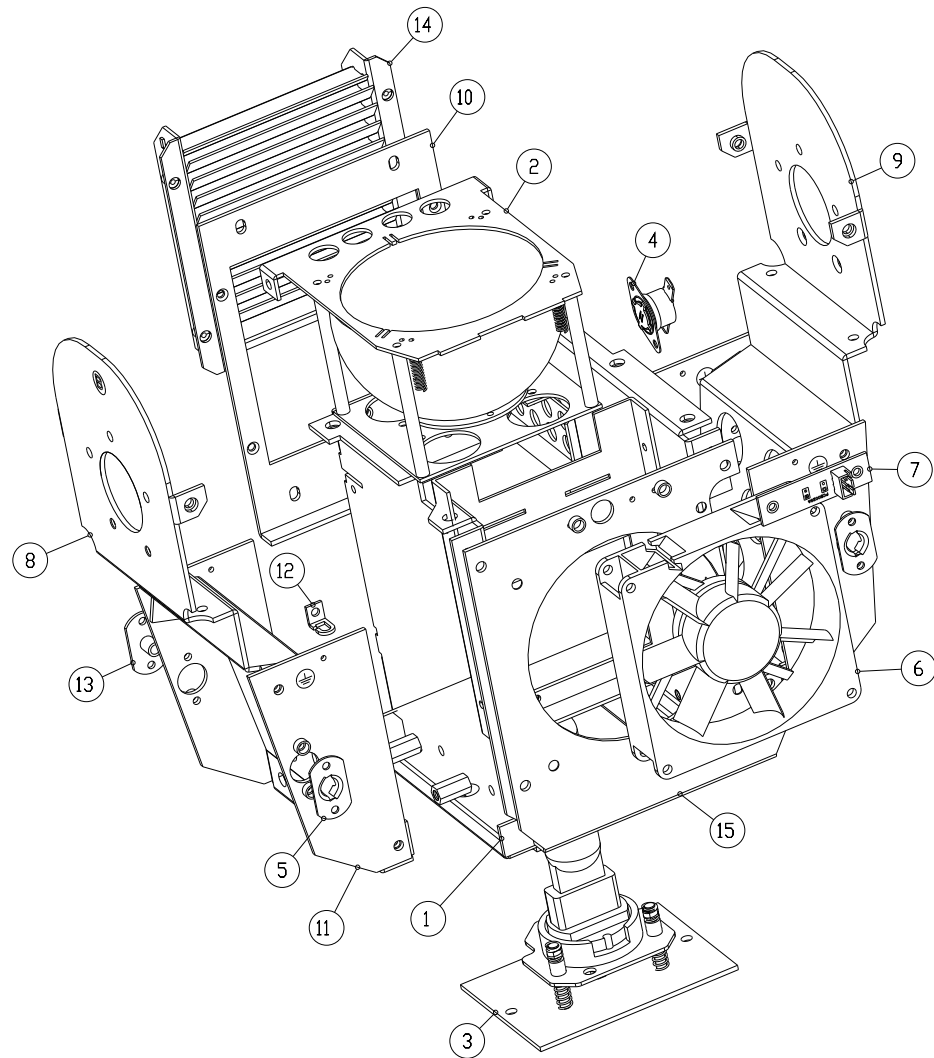
PRODUCT		PHS-280			
PIC. NO.		13-0073-03-02-00			
EDIT		FILE NO.	HY-EXP-680A	PAGE NO.	13/31
CHECK		VERSION	NR	DATE	2010.04.08
APPROVE		ECN NO.		DATE	



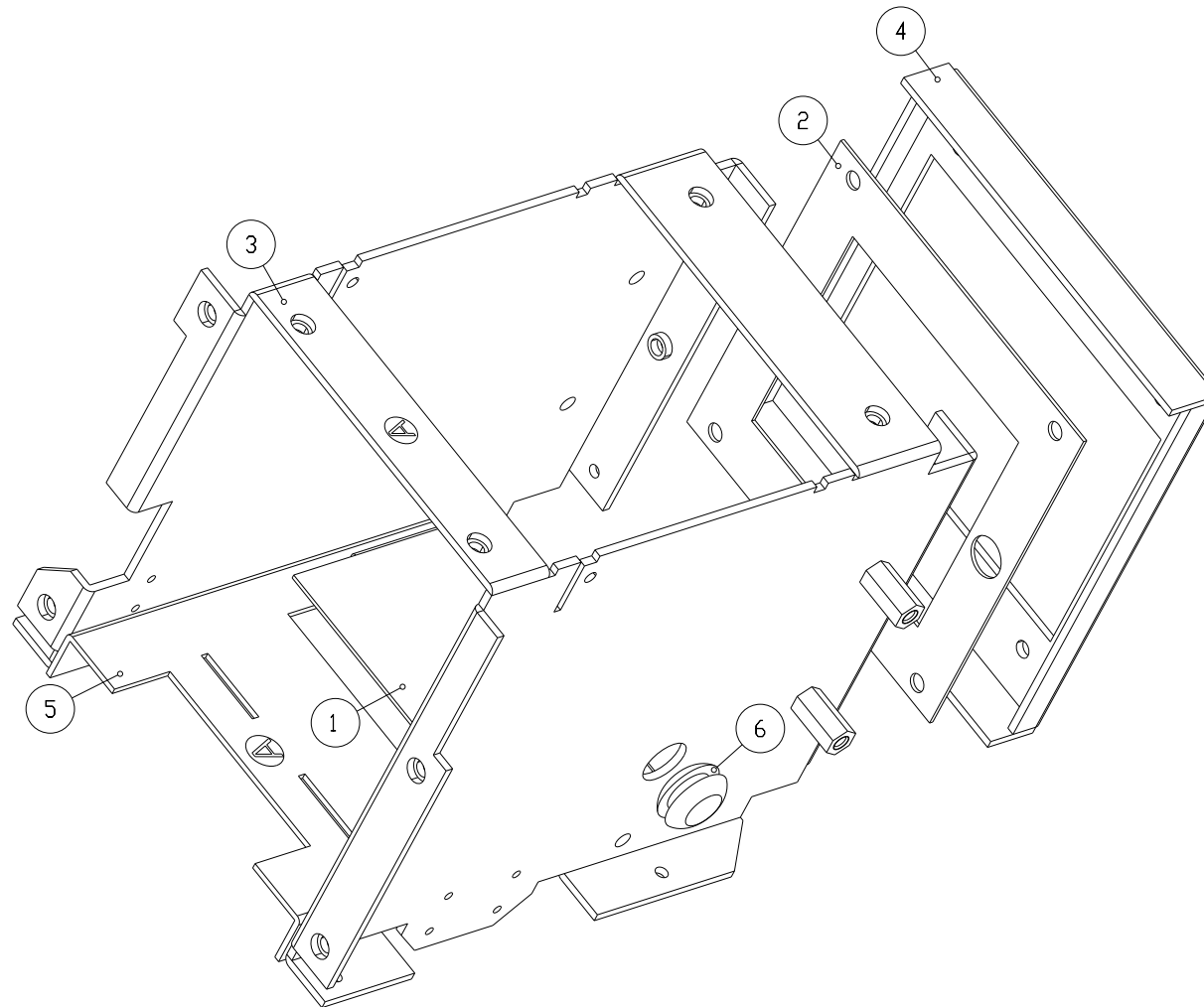
PRODUCT		PHS-280			
PIC. NO.		13-0073-03-03-00			
EDIT		FILE NO.	HY-EXP-680A	PAGE NO.	14/31
CHECK		VERSION	NR	DATE	2010.04.08
APPROVE		ECN NO.		DATE	



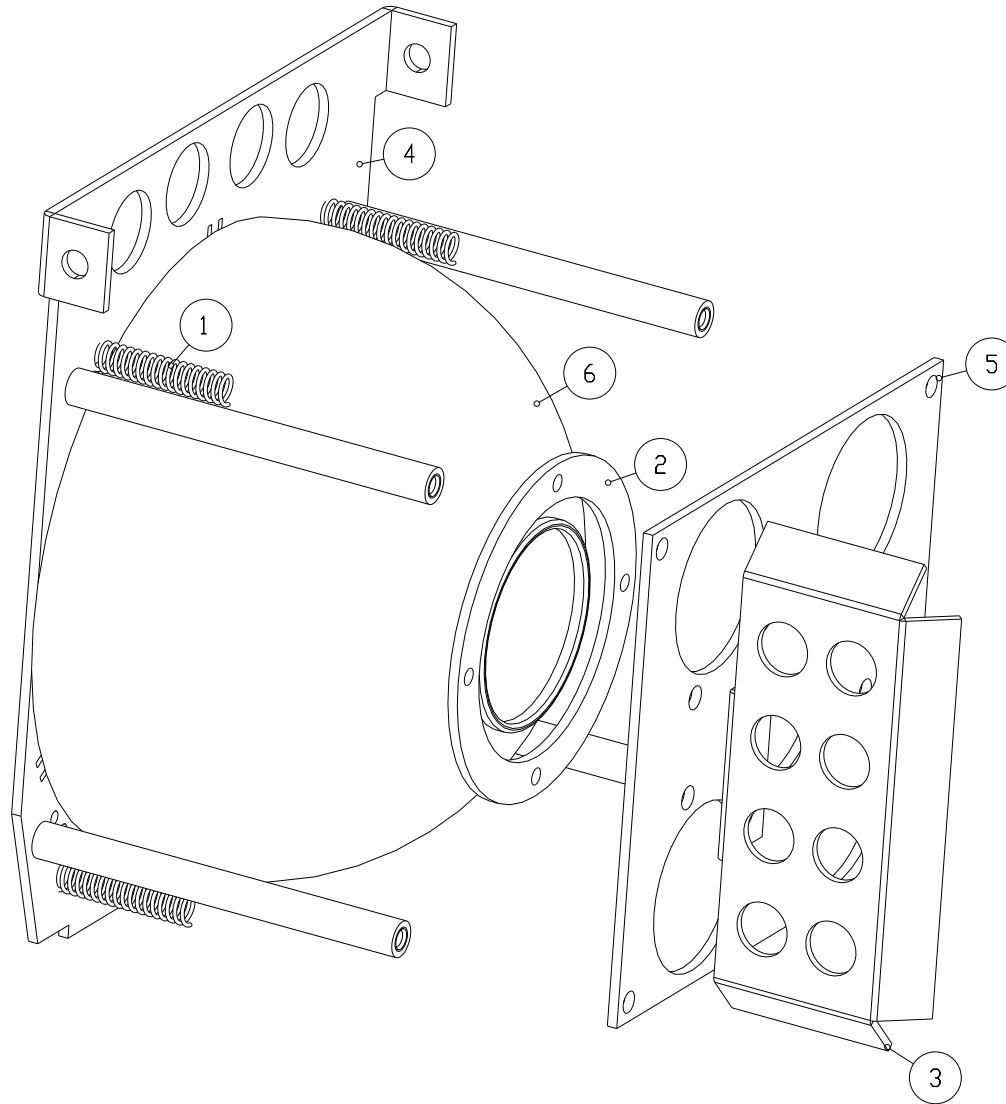
PRODUCT		PHS-280			
PIC. NO.		13-0073-04-00-00			
EDIT		FILE NO.	HY-EXP-680A	PAGE NO.	15/31
CHECK		VERSION	NR	DATE	2010.04.08
APPROVE		ECN NO.		DATE	



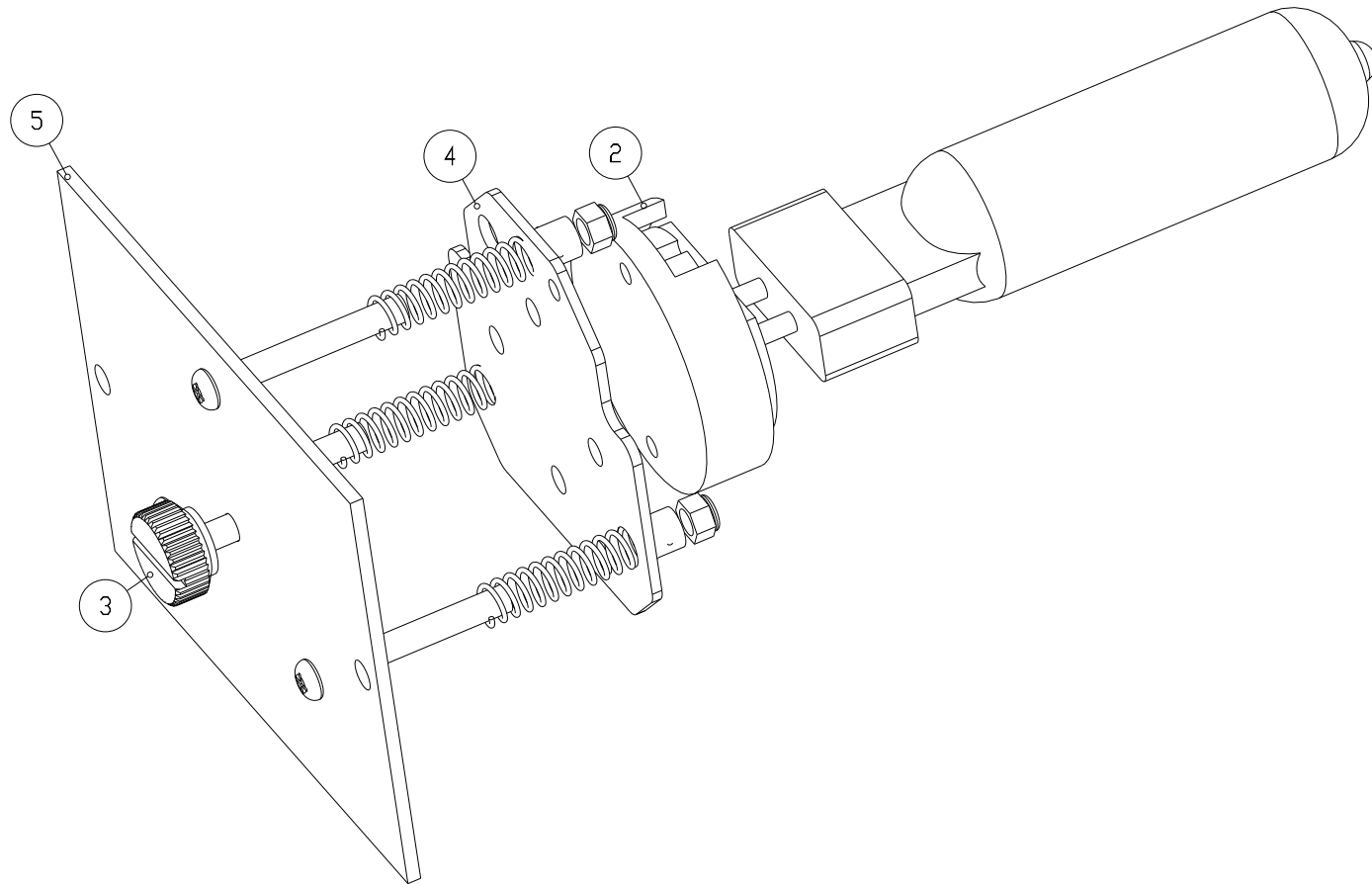
PRODUCT		PHS-280			
PIC. NO.		13-0073-04-01-00			
EDIT		FILE NO.	HY-EXP-680A	PAGE NO.	16/31
CHECK		VERSION	NR	DATE	2010.04.08
APPROVE		ECN NO.		DATE	



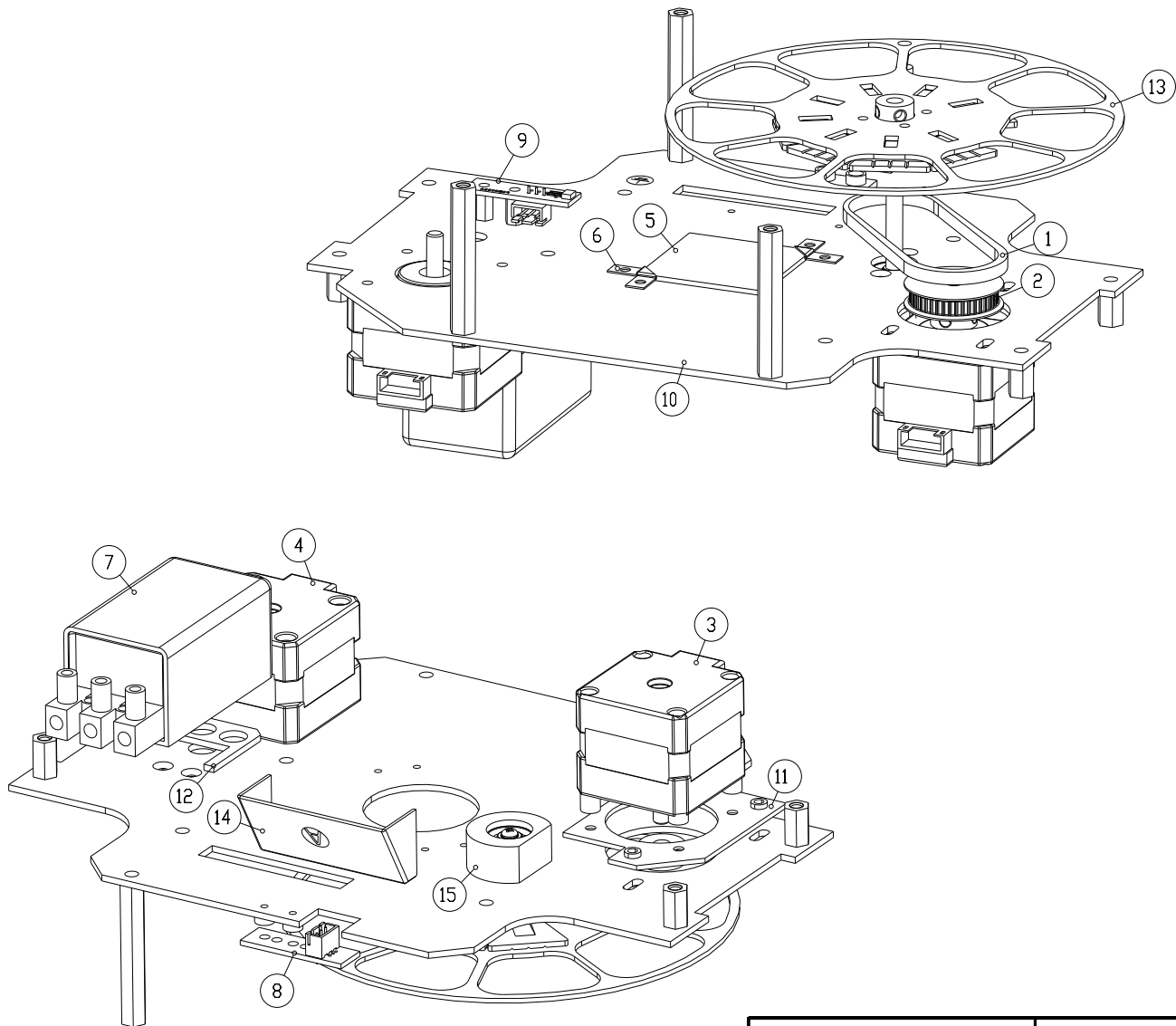
PRODUCT		PHS-280			
PIC. NO.		13-0073-04-01-01			
EDIT		FILE NO.	HY-EXP-680A	PAGE NO.	17/31
CHECK		VERSION	NR	DATE	2010.04.08
APPROVE		ECN NO.		DATE	



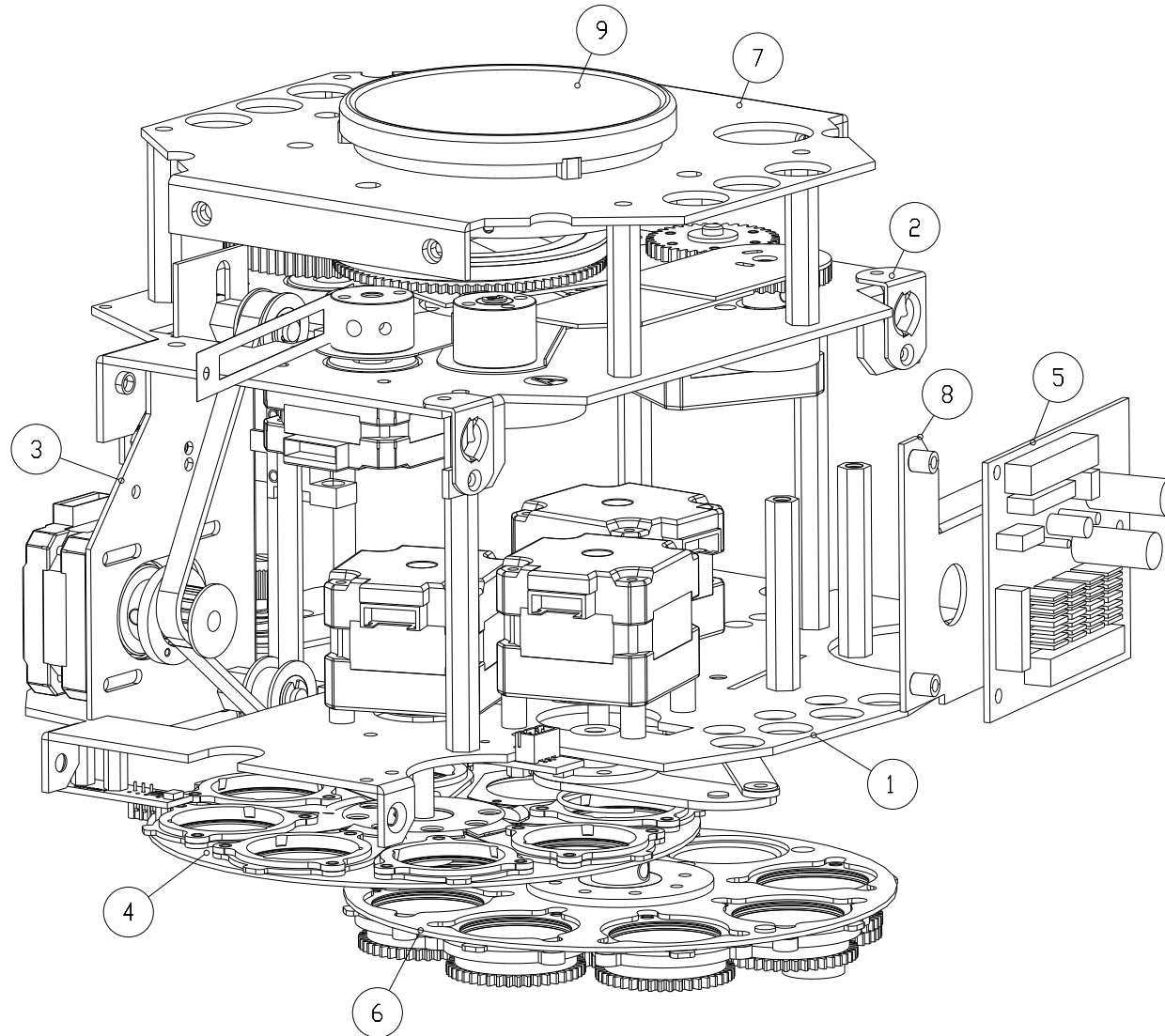
PRODUCT		PHS-280			
PIC. NO.		10-0050-04-01-02			
EDIT		FILE NO.	HY-EXP-680A	PAGE NO.	18/31
CHECK		VERSION	NR	DATE	2010.04.08
APPROVE		ECN NO.		DATE	



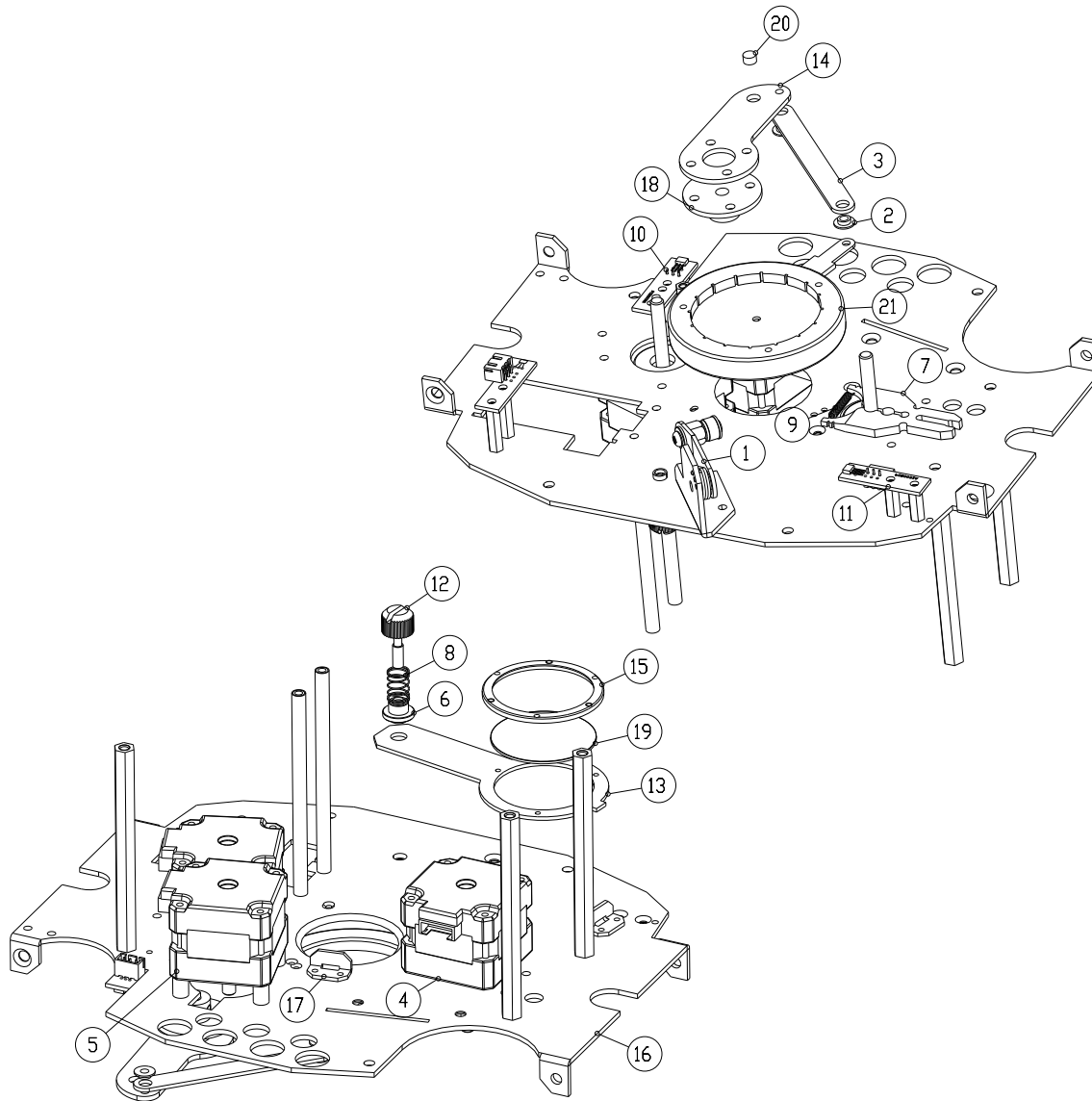
PRODUCT		PHS-280			
PIC. NO.		10-0050-04-01-03			
EDIT		FILE NO.	HY-EXP-680A	PAGE NO.	19/31
CHECK		VERSION	NR	DATE	2010.04.08
APPROVE		ECN NO.		DATE	



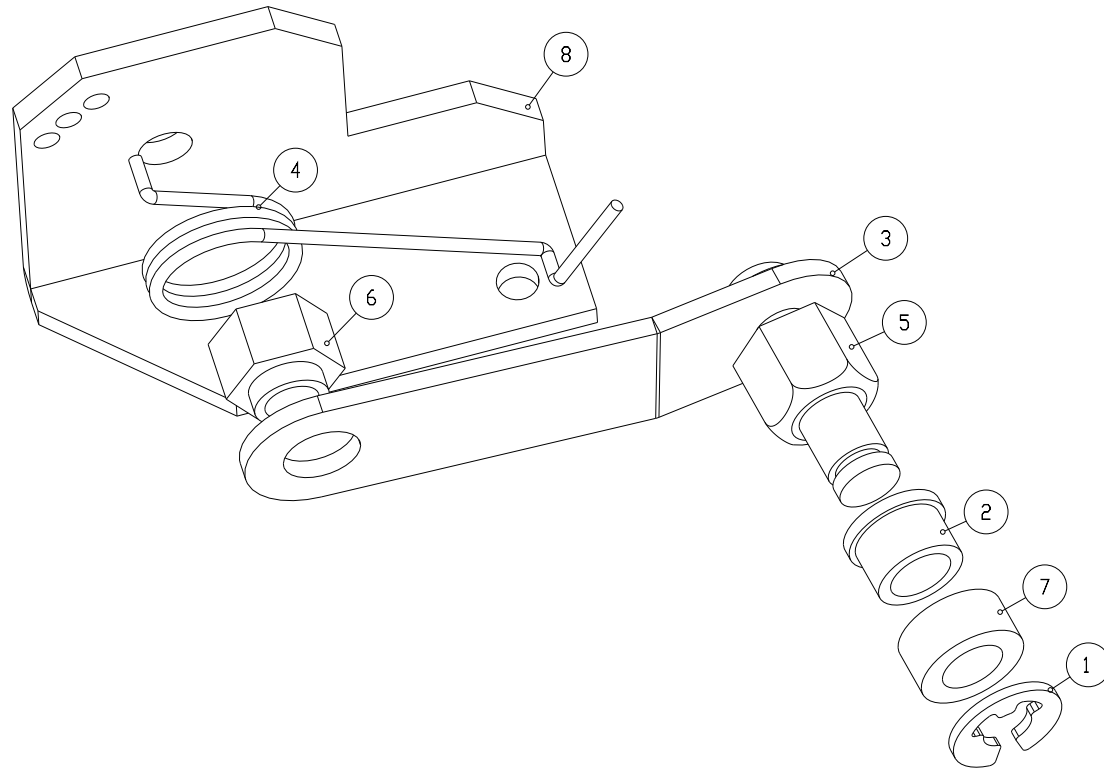
PRODUCT		PHS-280			
PIC. NO.		13-0073-04-02-00			
EDIT		FILE NO.	HY-EXP-680A	PAGE NO.	20/31
CHECK		VERSION	NR	DATE	2010.04.08
APPROVE		ECN NO.		DATE	



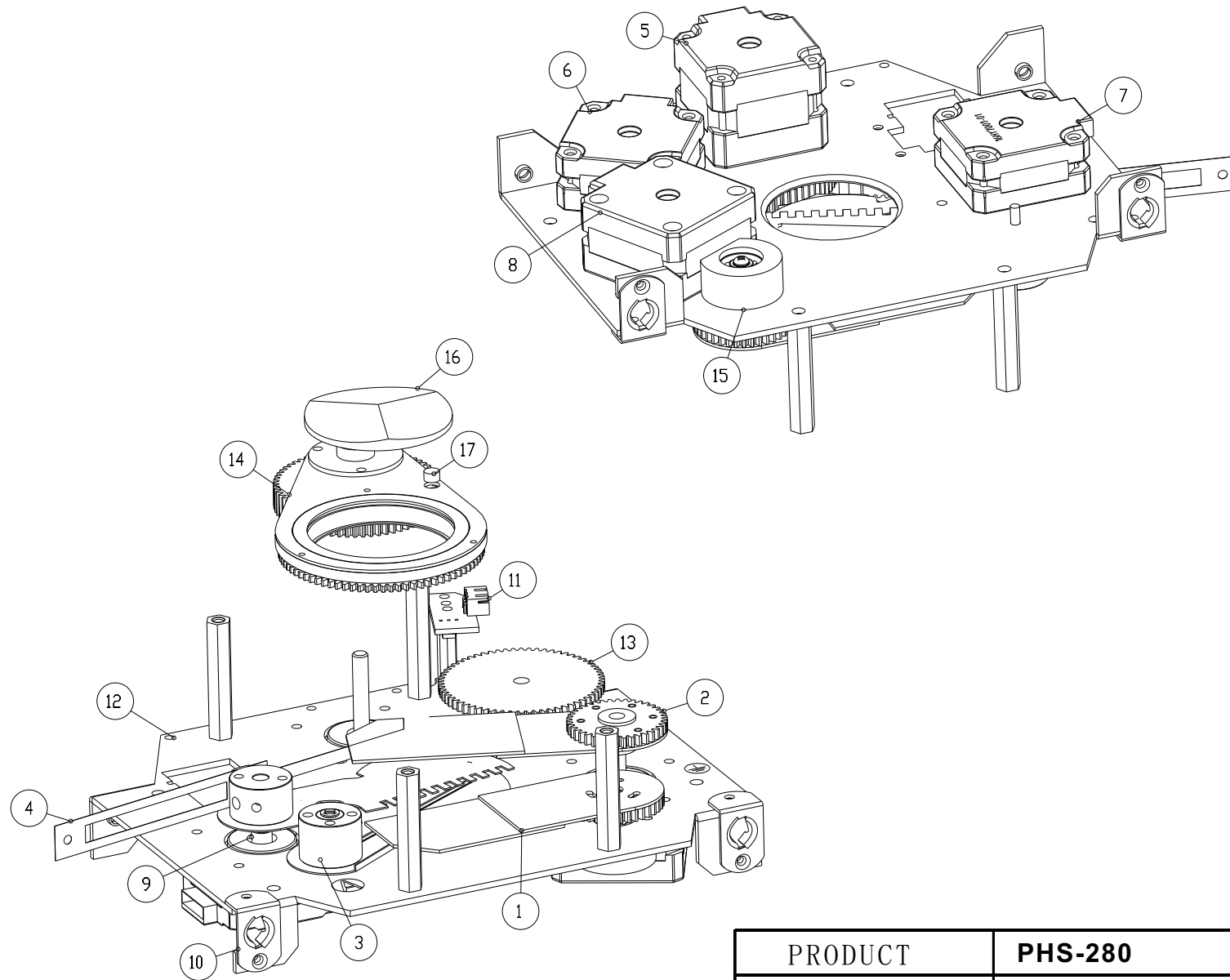
PRODUCT		PHS-280			
PIC. NO.		13-0073-04-03-00			
EDIT		FILE NO.	HY-EXP-680A	PAGE NO.	21/31
CHECK		VERSION	NR	DATE	2010.04.08
APPROVE		ECN NO.		DATE	



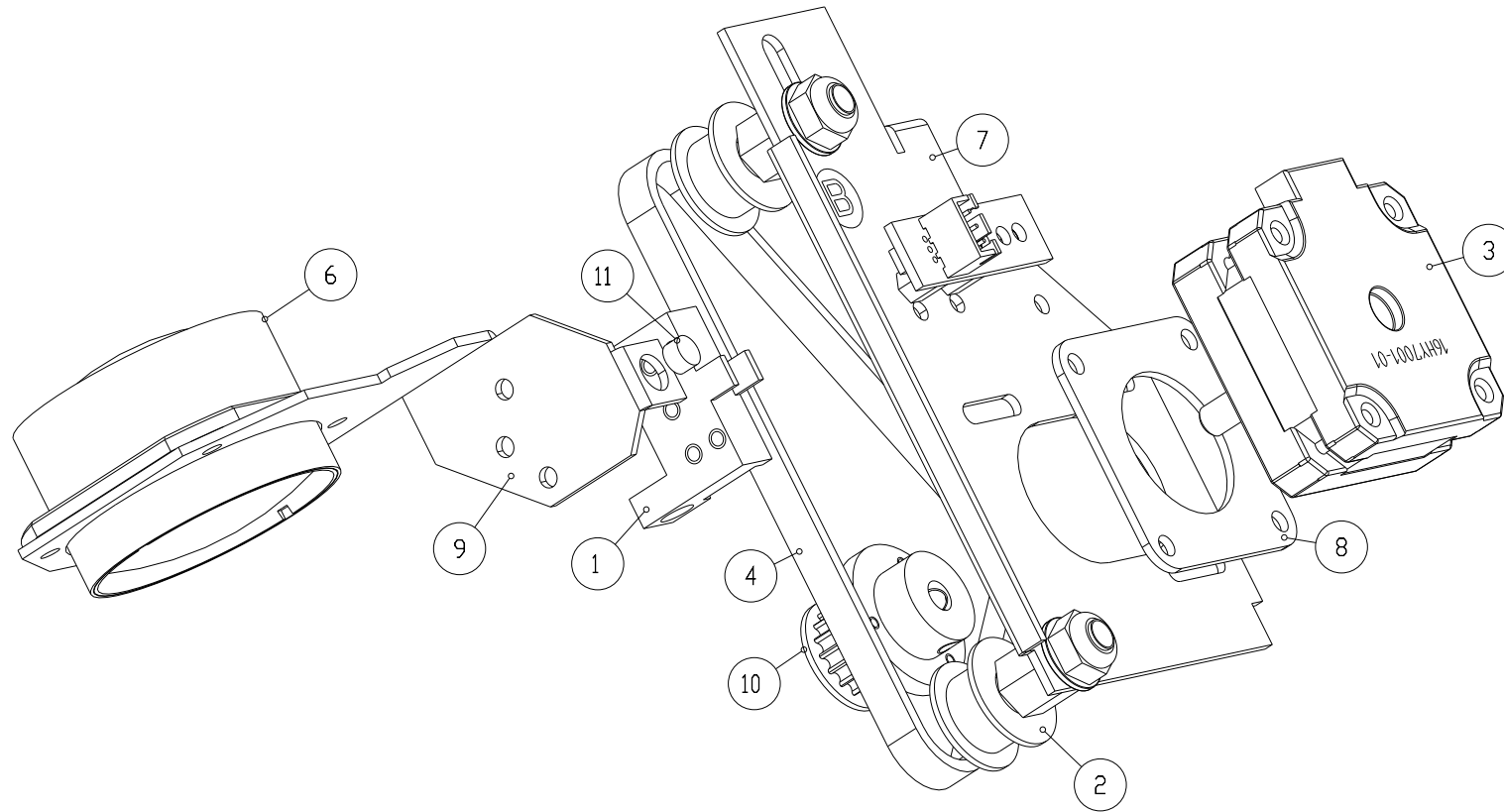
PRODUCT		PHS-280			
PIC. NO.		13-0073-04-03-01			
EDIT		FILE NO.	HY-EXP-680A	PAGE NO.	22/31
CHECK		VERSION	NR	DATE	2010.04.08
APPROVE		ECN NO.		DATE	



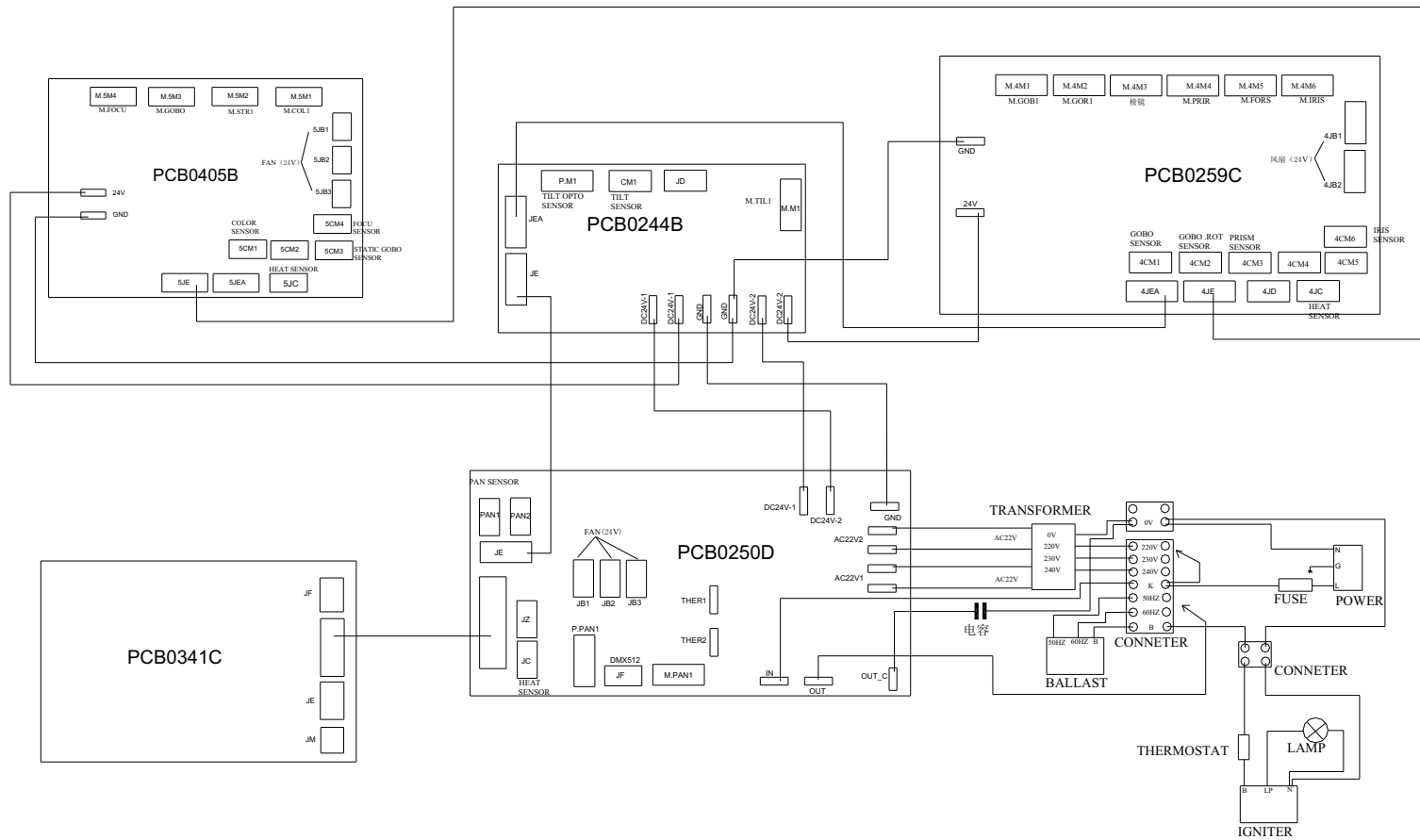
PRODUCT		PHS-280			
PIC. NO.		Y-V575SP-03A-07_A00			
EDIT		FILE NO.	HY-EXP-680A	PAGE NO.	23/31
CHECK		VERSION	NR	DATE	2010.04.08
APPROVE		ECN NO.		DATE	



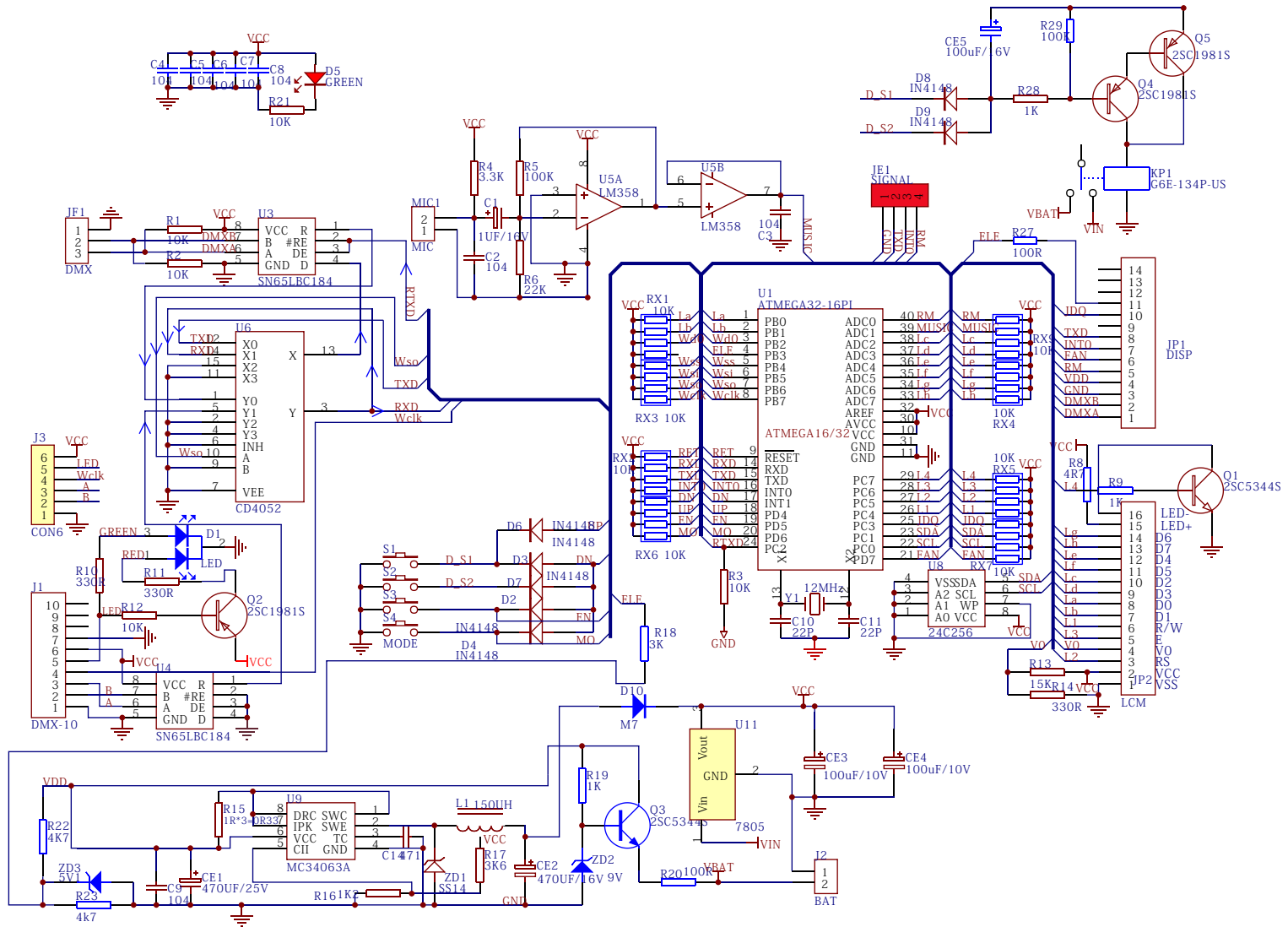
PRODUCT		PHS-280			
PIC. NO.		13-0073-04-03-02			
EDIT		FILE NO.	HY-EXP-680A	PAGE NO.	24/31
CHECK		VERSION	NR	DATE	2010.04.08
APPROVE		ECN NO.		DATE	



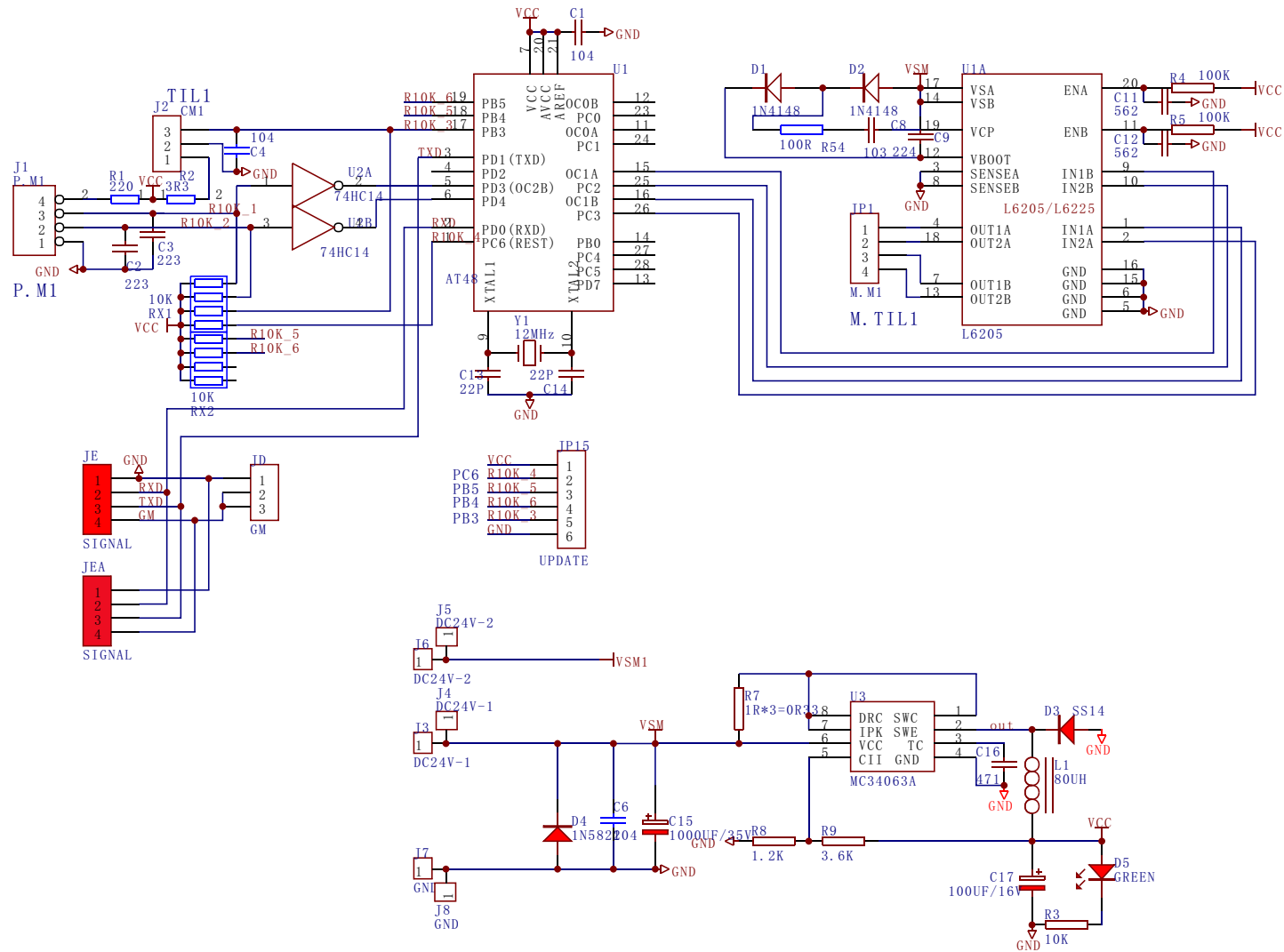
PRODUCT		PHS-280			
PIC. NO.		Y-V250S-03-027A_E00			
EDIT		FILE NO.	HY-EXP-680A	PAGE NO.	25/31
CHECK		VERSION	NR	DATE	2010.04.08
APPROVE		ECN NO.		DATE	



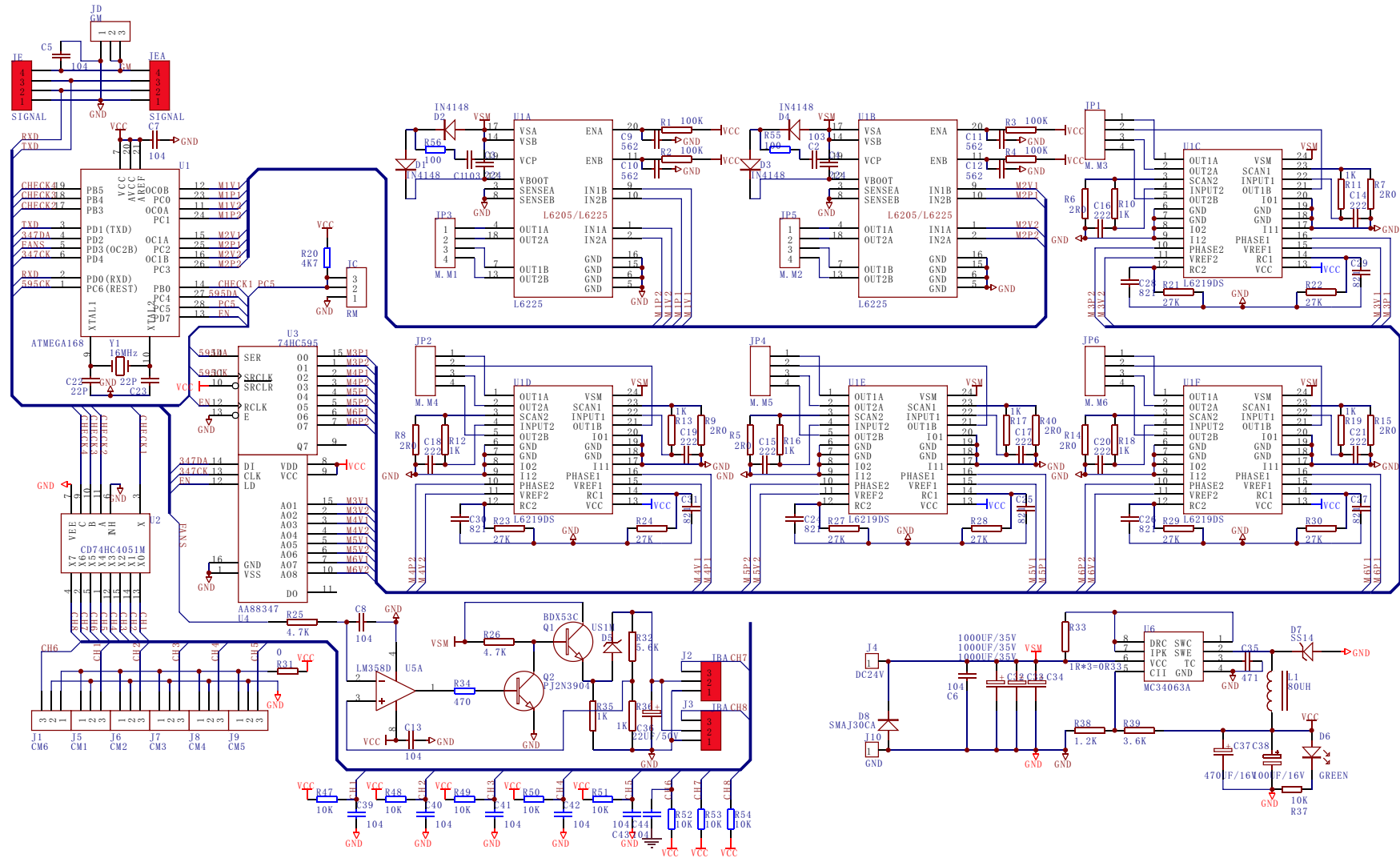
PRODUCT		PHS-280			
PIC. NO.		PHS-280 ELECTRIC			
EDIT		FILE NO.	HY-WIJL-A098	PAGE NO.	26/31
CHECK		VERSION	NR	DATE	2010. 04. 08
APPROVE		ECN NO.		DATE	



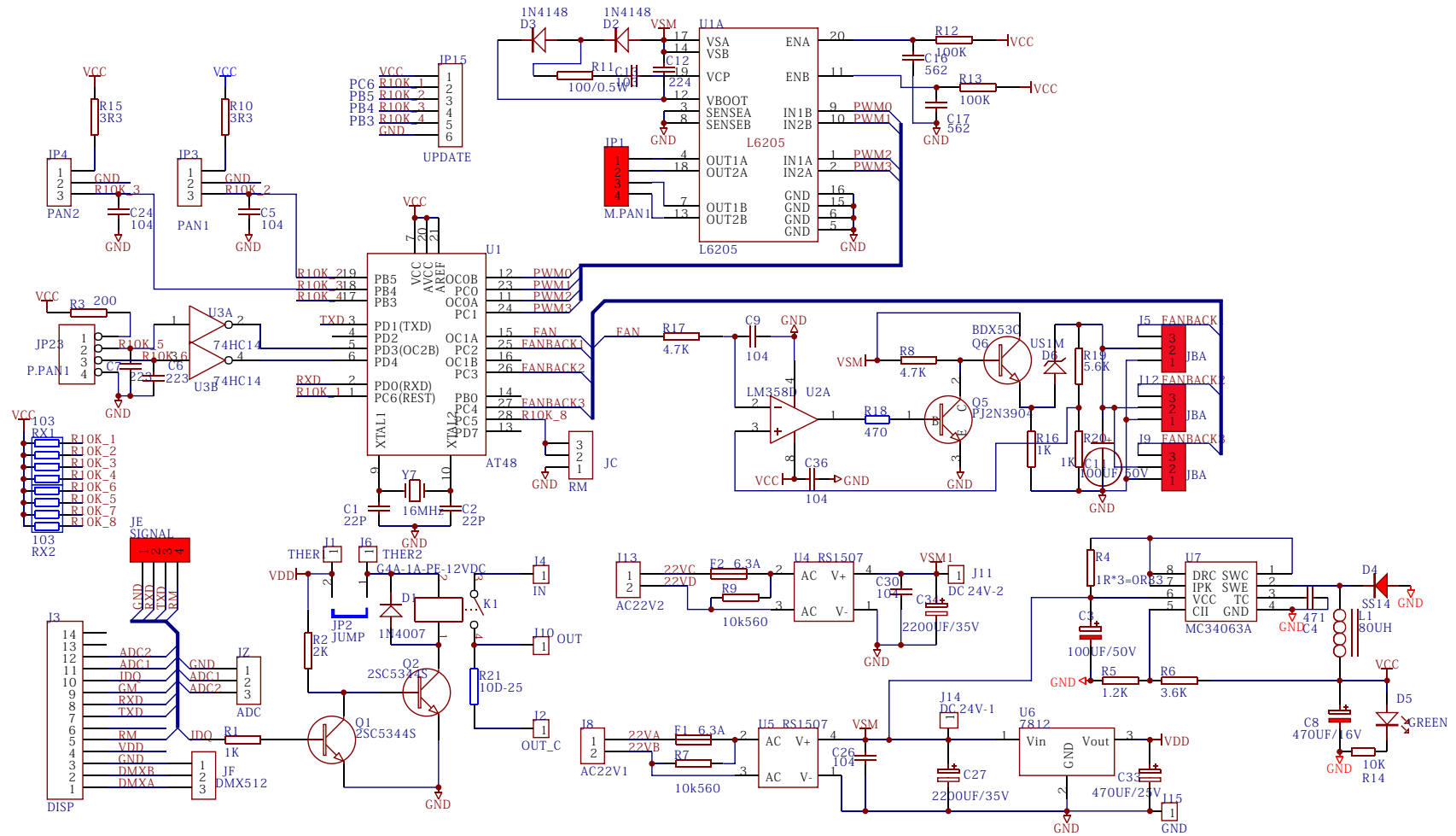
PRODUCT		PHS-280			
PIC. NO.		PCB0341C SCHEME			
EDIT		FILE NO.	HY-WIEC-0485-02-1	PAGE NO.	27/31
CHECK		VERSION	NR	DATE	2010.04.08
APPROVE		ECN NO.		DATE	



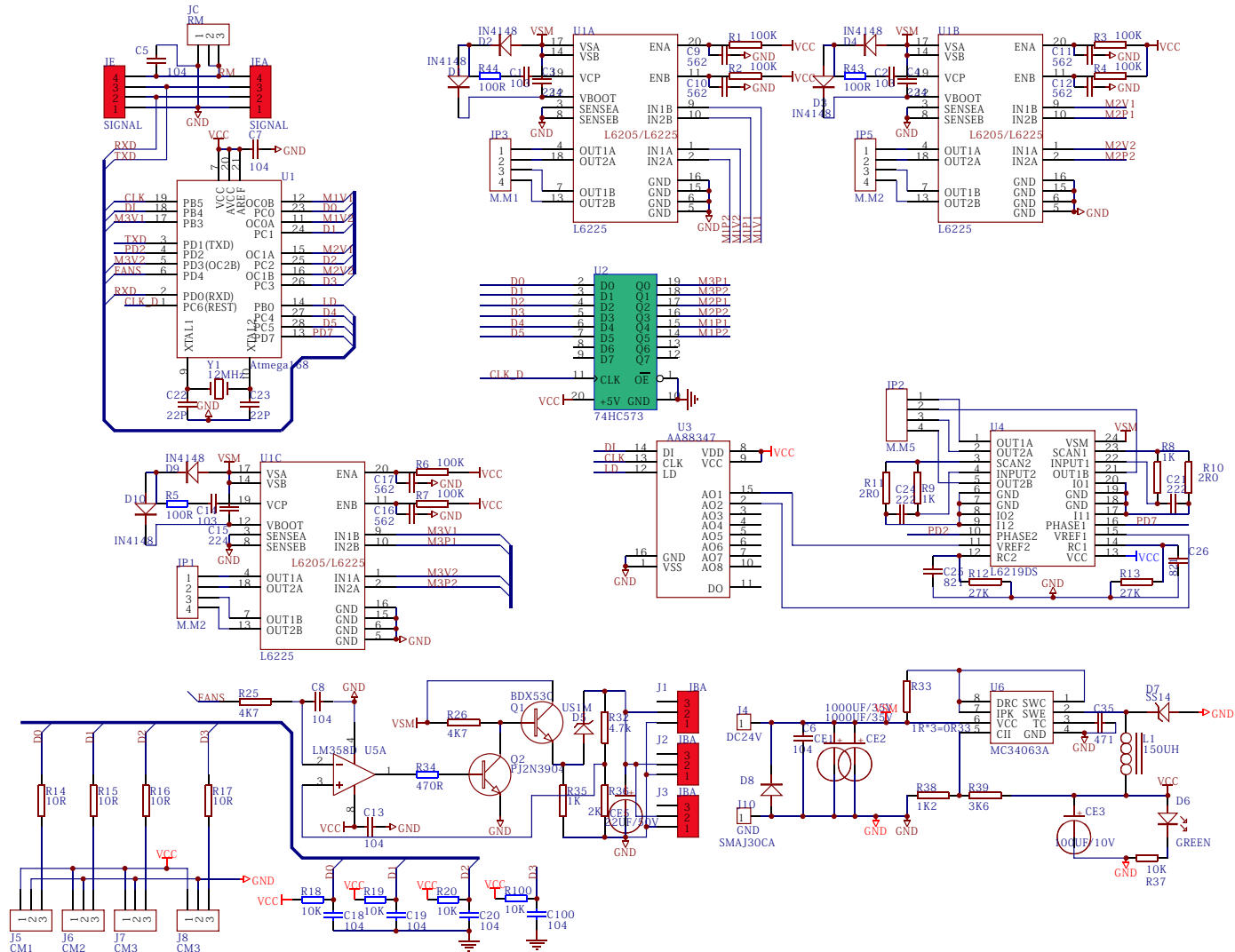
PRODUCT		PHS-280			
PIC. NO.		PCB0244B SCHEME			
EDIT		FILE NO.	HY-WIEC-0343-02-3	PAGE NO.	28/31
CHECK		VERSION	NR	DATE	2010.04.08
APPROVE		ECN NO.		DATE	



PRODUCT	PHS-280				
PIC. NO.	PCB0259C SCHEME				
EDIT	FILE NO.	HY-WIEC-0380-02-4	PAGE NO.	29/31	
CHECK	VERSION	NR	DATE	2010.04.08	
APPROVE	ECN NO.		DATE		



PRODUCT		PHS-280			
PIC. NO.		PCB0250D SCHEME			
EDIT		FILE NO.	HY-WIEC-0490-01-1	PAGE NO.	30/31
CHECK		VERSION	NR	DATE	2010.04.08
APPROVE		ECN NO.		DATE	



PRODUCT		PHS-280			
PIC. NO.		PCB0405B SCHEME			
EDIT		FILE NO.	HY-WIEC-0501-02-5	PAGE NO.	31/31
CHECK		VERSION	NR	DATE	2010.04.08
APPROVE		ECN NO.		DATE	