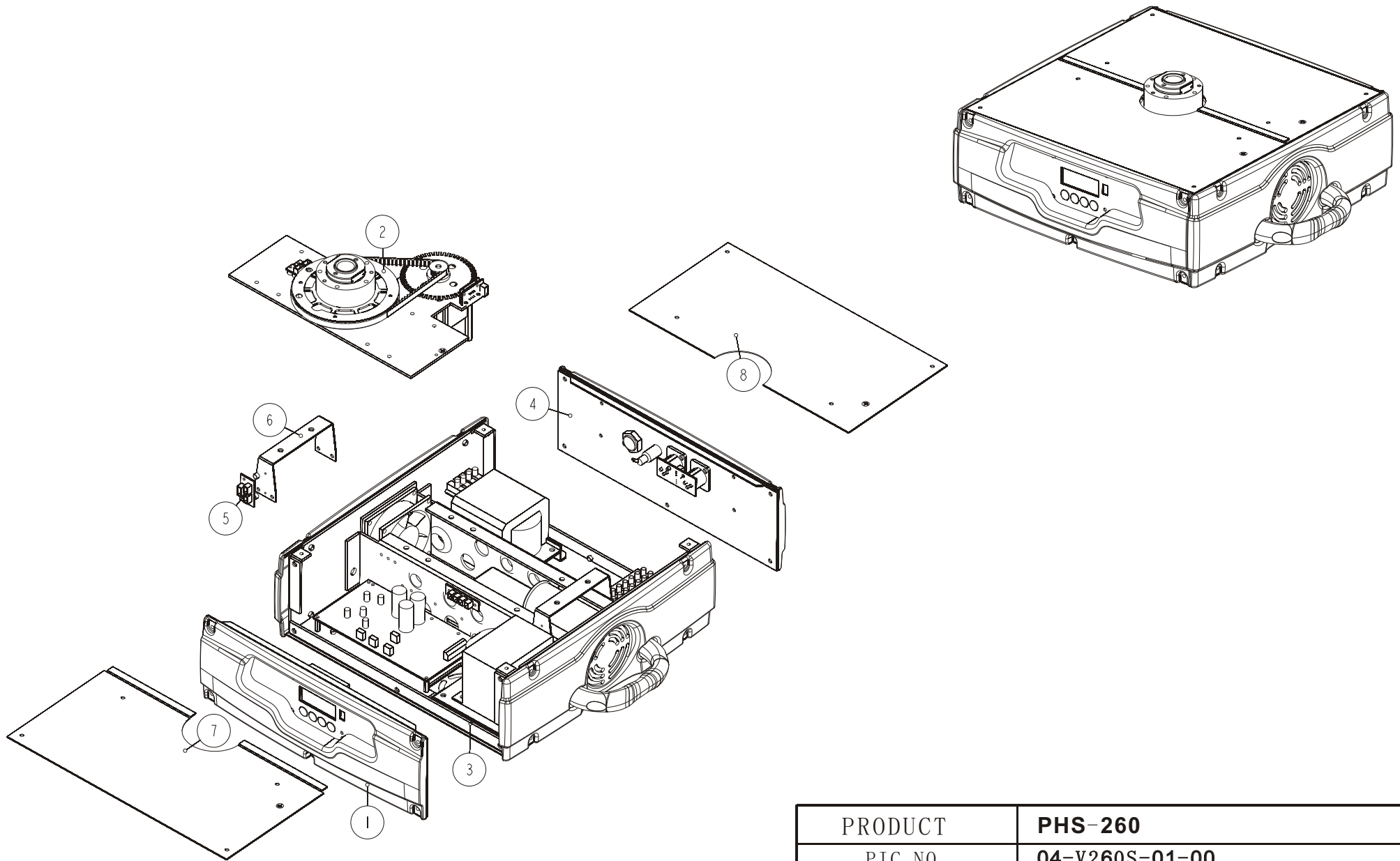
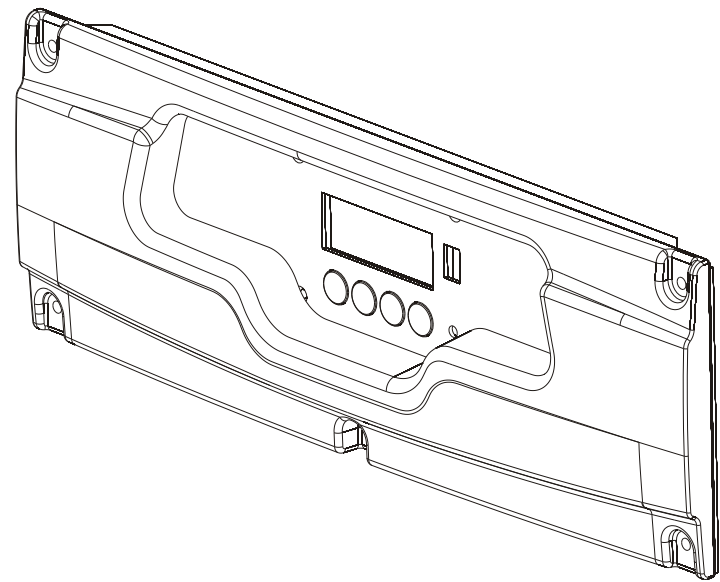
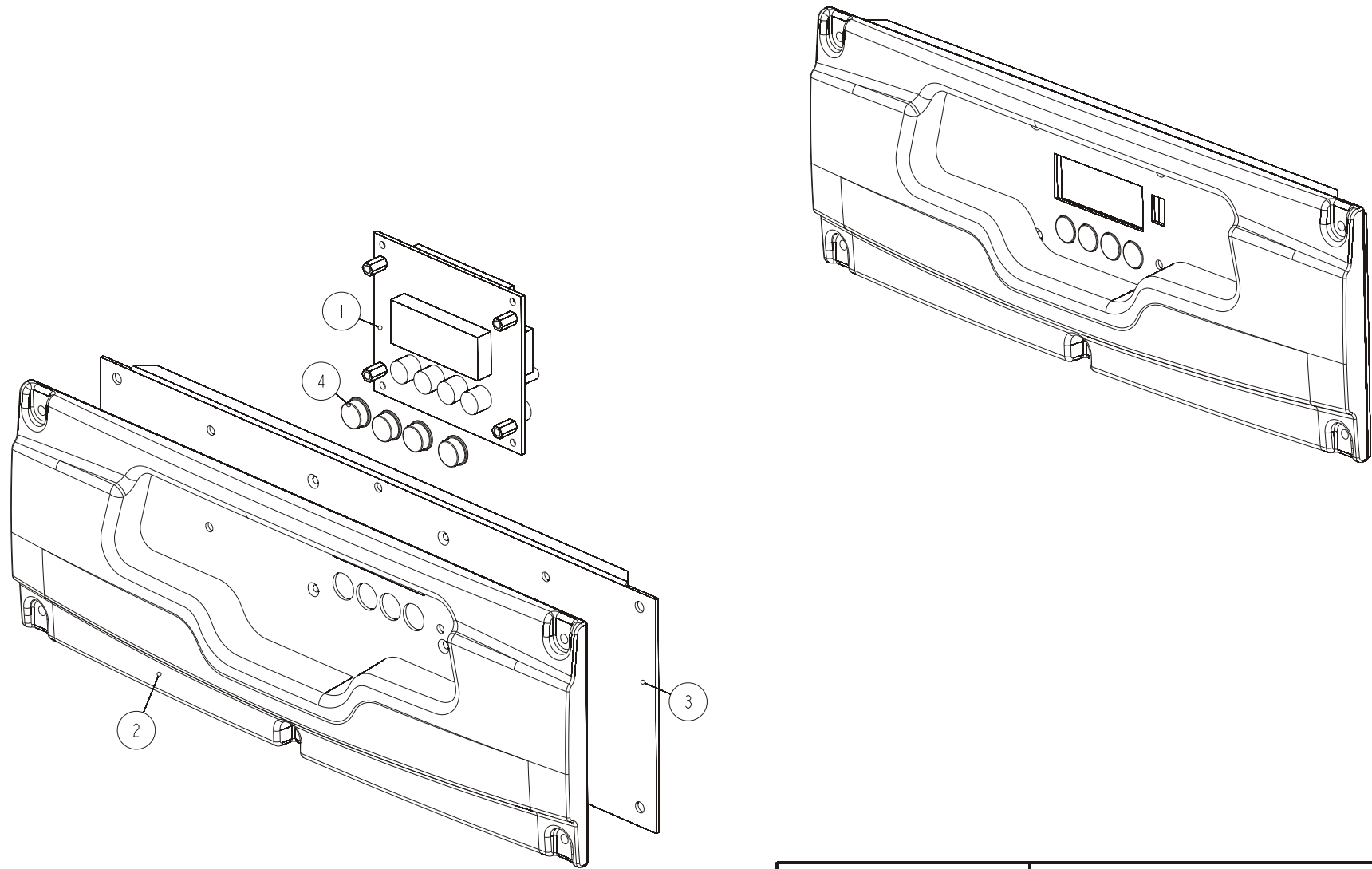


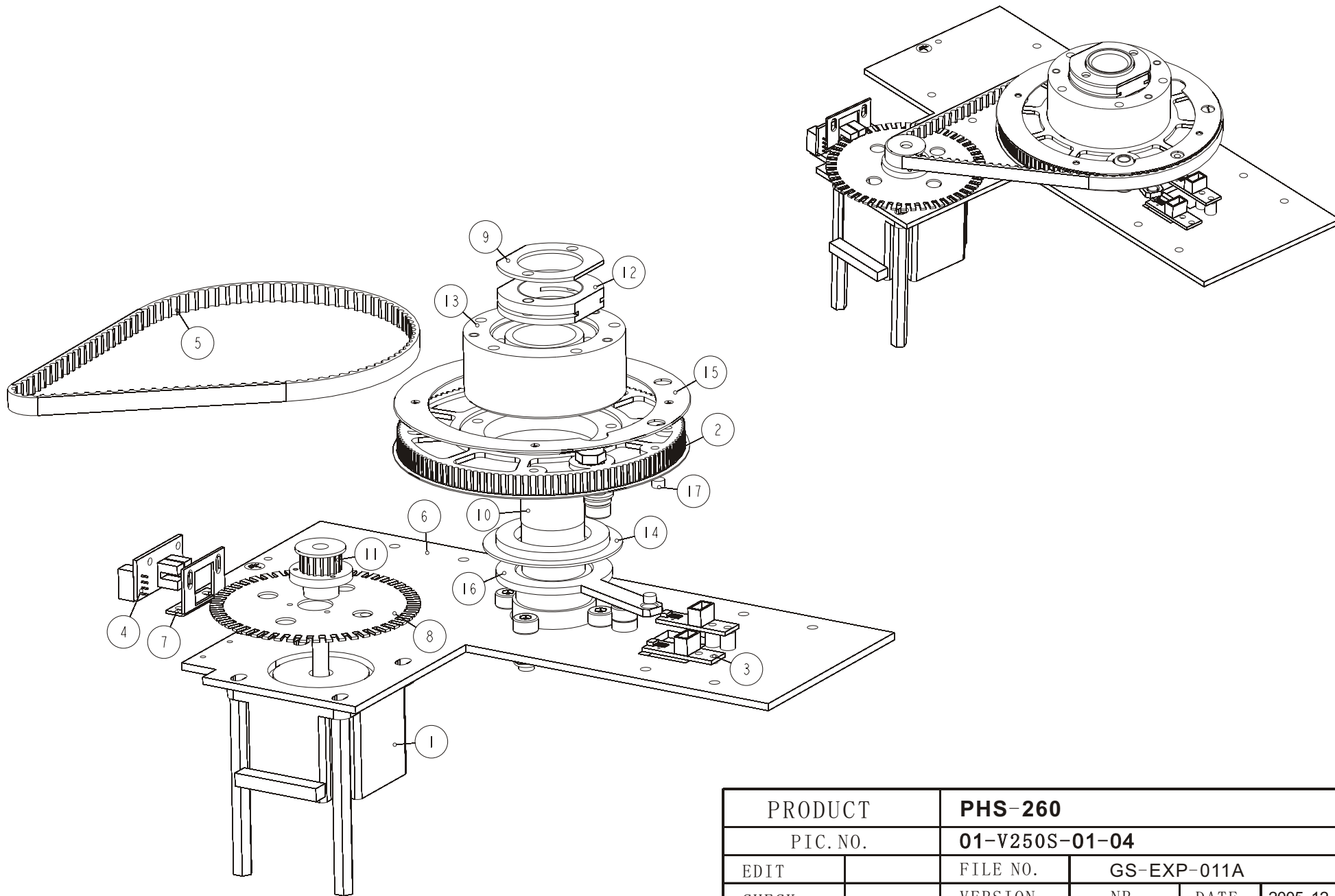
PRODUCT		PHS-260			
PIC. NO.		04-V260S-00-00			
EDIT		FILE NO.	GS-EXP-011A		
CHECK		VERSION	NR	DATE	2005. 12. 25
APPROVE		ECN NO.		DATE	



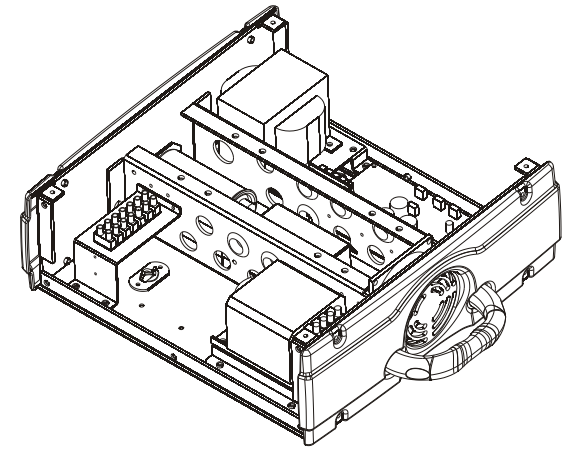
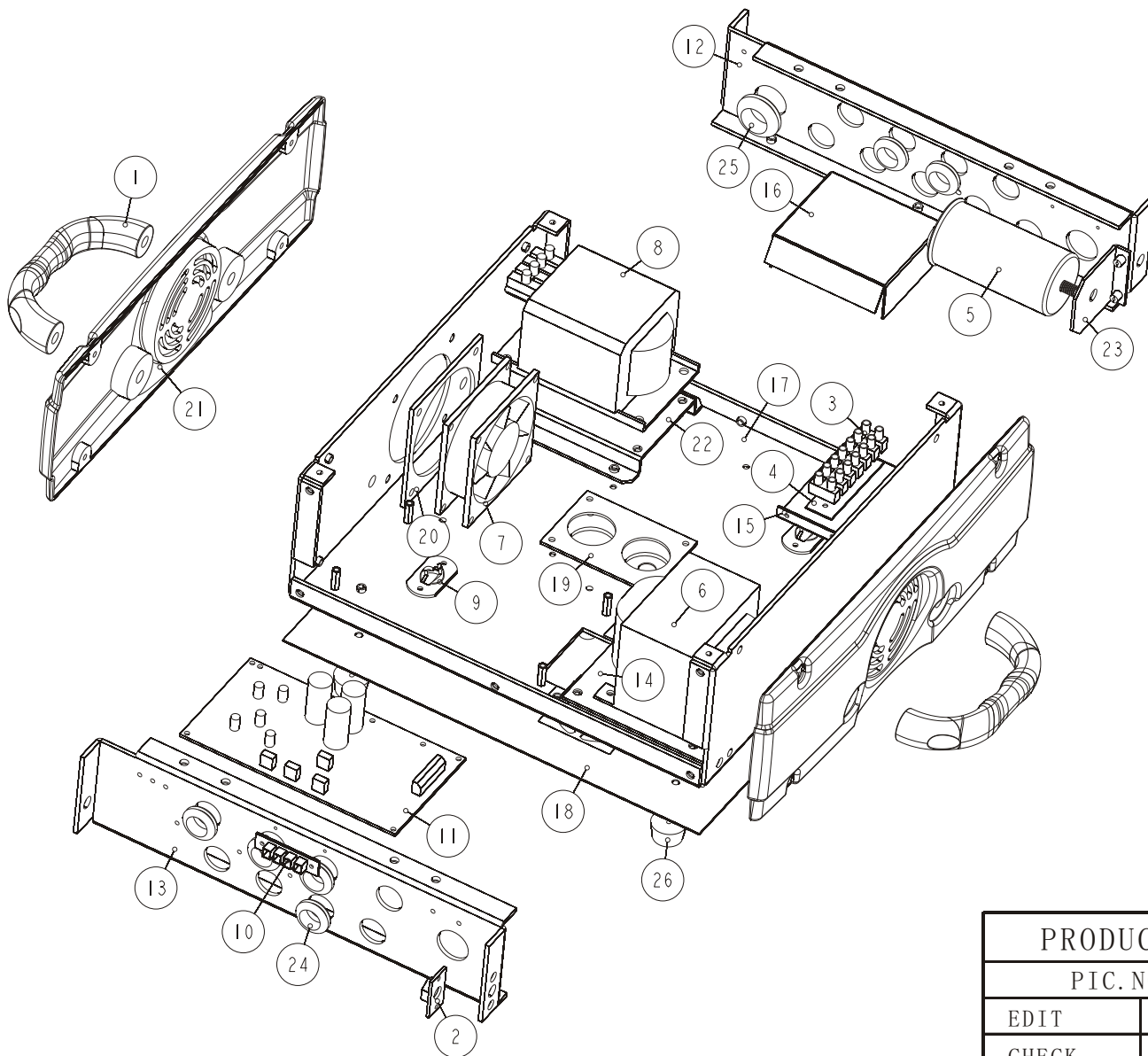
PRODUCT		PHS-260			
PIC. NO.		04-V260S-01-00			
EDIT		FILE NO.	GS-EXP-011A		
CHECK		VERSION	NR	DATE	2005. 12. 25
APPROVE		ECN NO.		DATE	



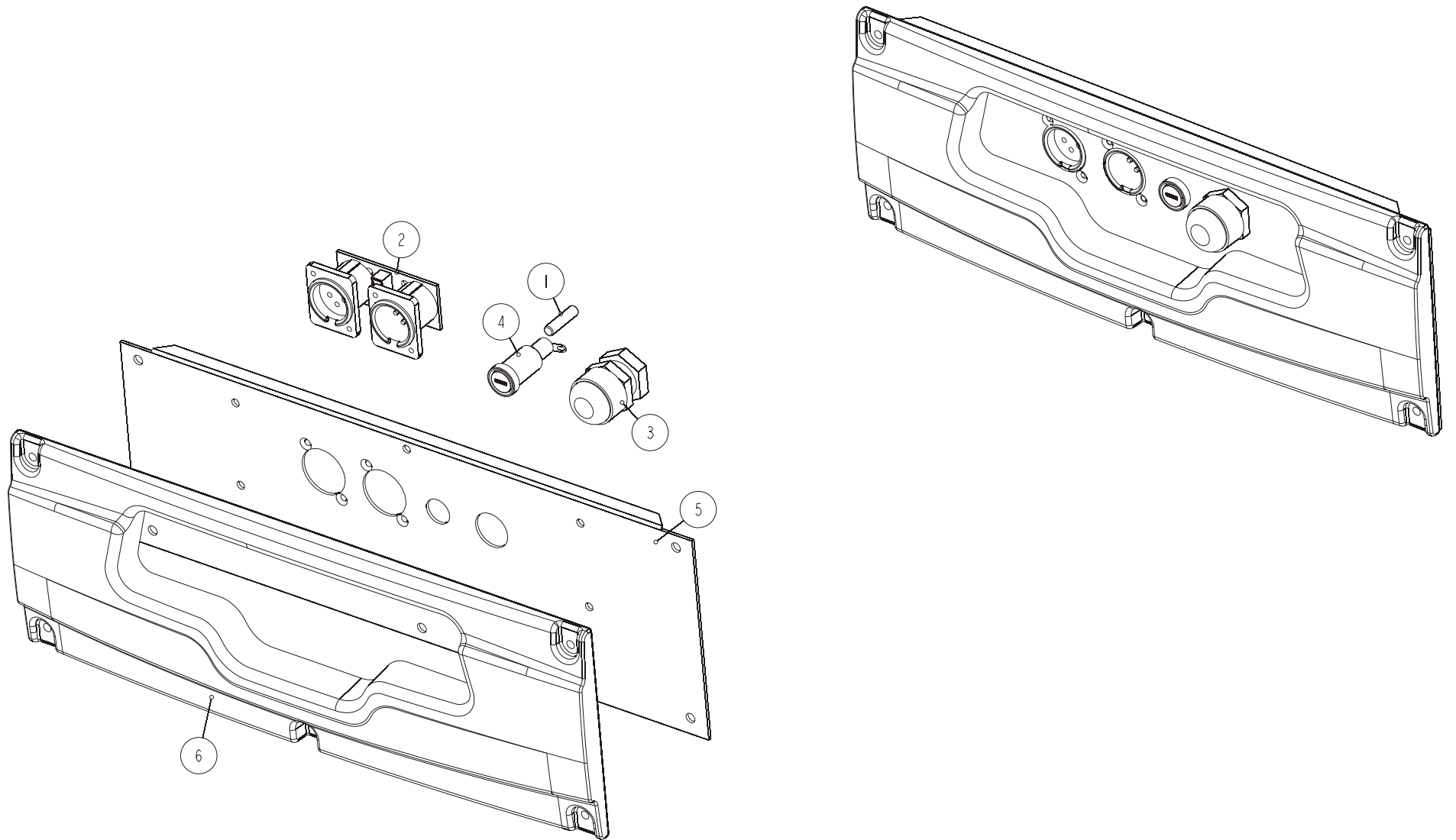
PRODUCT		PHS-260			
PIC. NO.		01-V250S-01-03			
EDIT		FILE NO.	GS-EXP-011A		
CHECK		VERSION	NR	DATE	2005. 12. 25
APPROVE		ECN NO.		DATE	



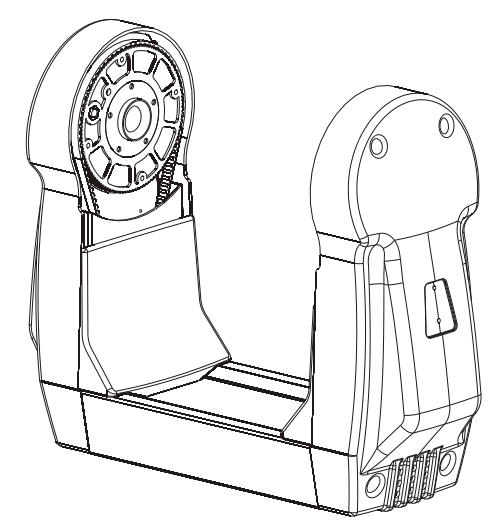
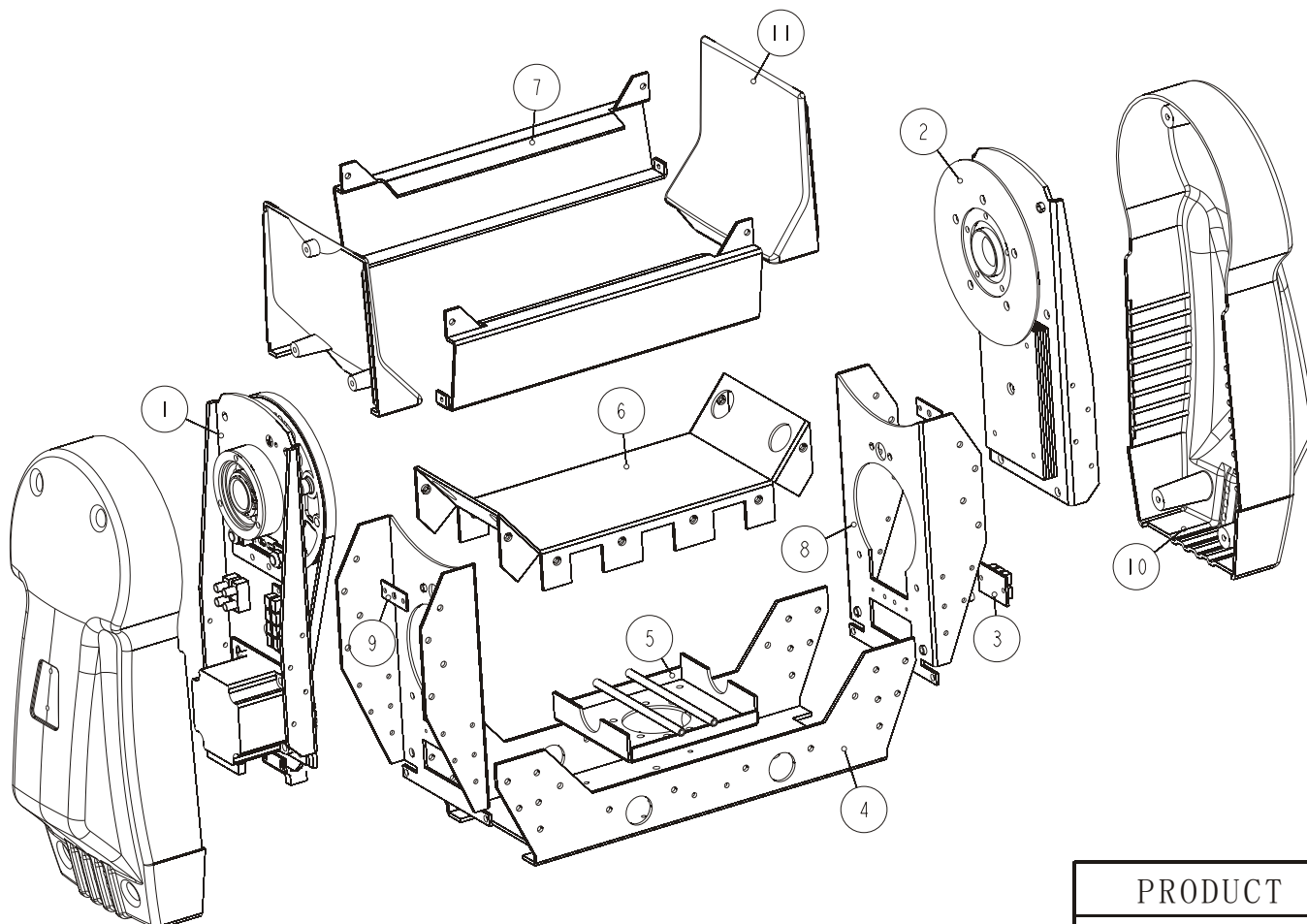
PRODUCT		PHS-260			
PIC. NO.		01-V250S-01-04			
EDIT		FILE NO.	GS-EXP-011A		
CHECK		VERSION	NR	DATE	2005. 12. 25
APPROVE		ECN NO.		DATE	



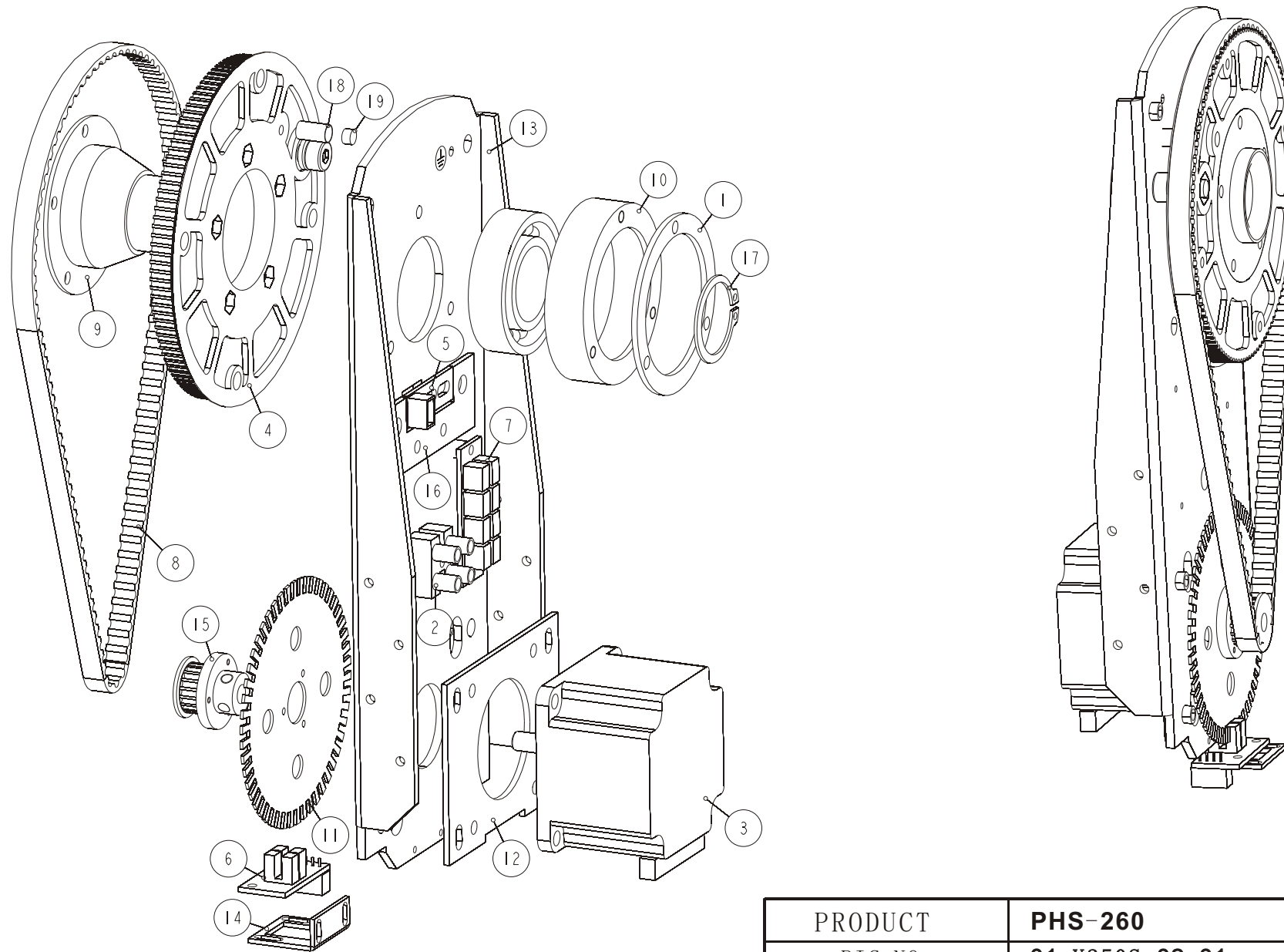
PRODUCT		PHS-260			
PIC. NO.		04-V260S-01-01			
EDIT		FILE NO.	GS-EXP-011A		
CHECK		VERSION	NR	DATE	2005. 12. 25
APPROVE		ECN NO.		DATE	



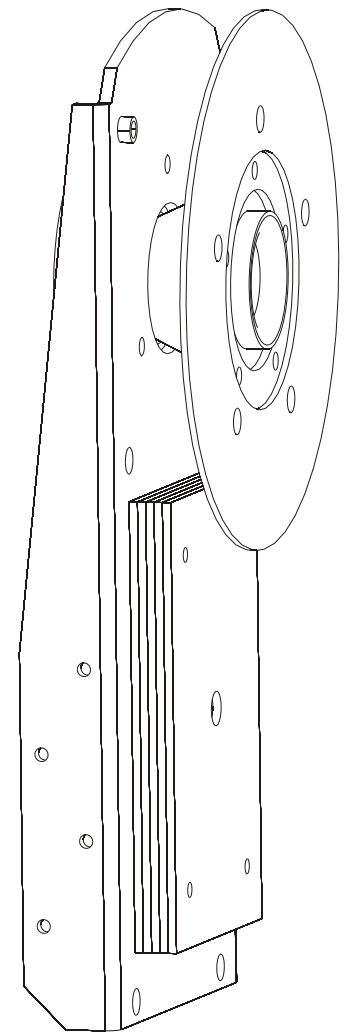
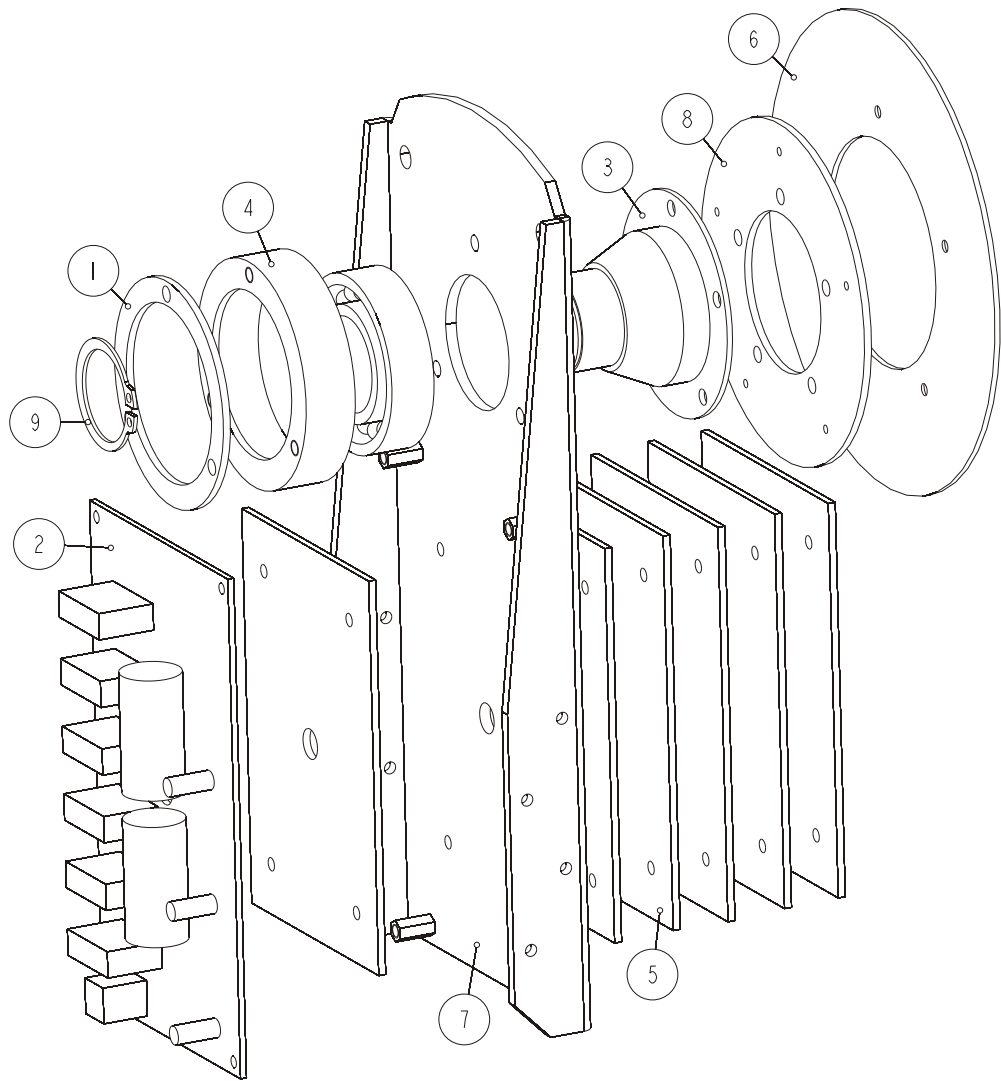
PRODUCT		PHS-260			
PIC. NO.		04-V260S-01-02			
EDIT		FILE NO.	GS-EXP-011A		
CHECK		VERSION	NR	DATE	2005. 12. 25
APPROVE		ECN NO.		DATE	



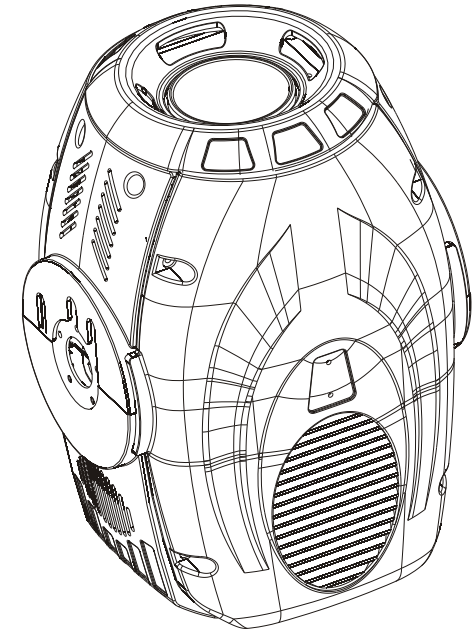
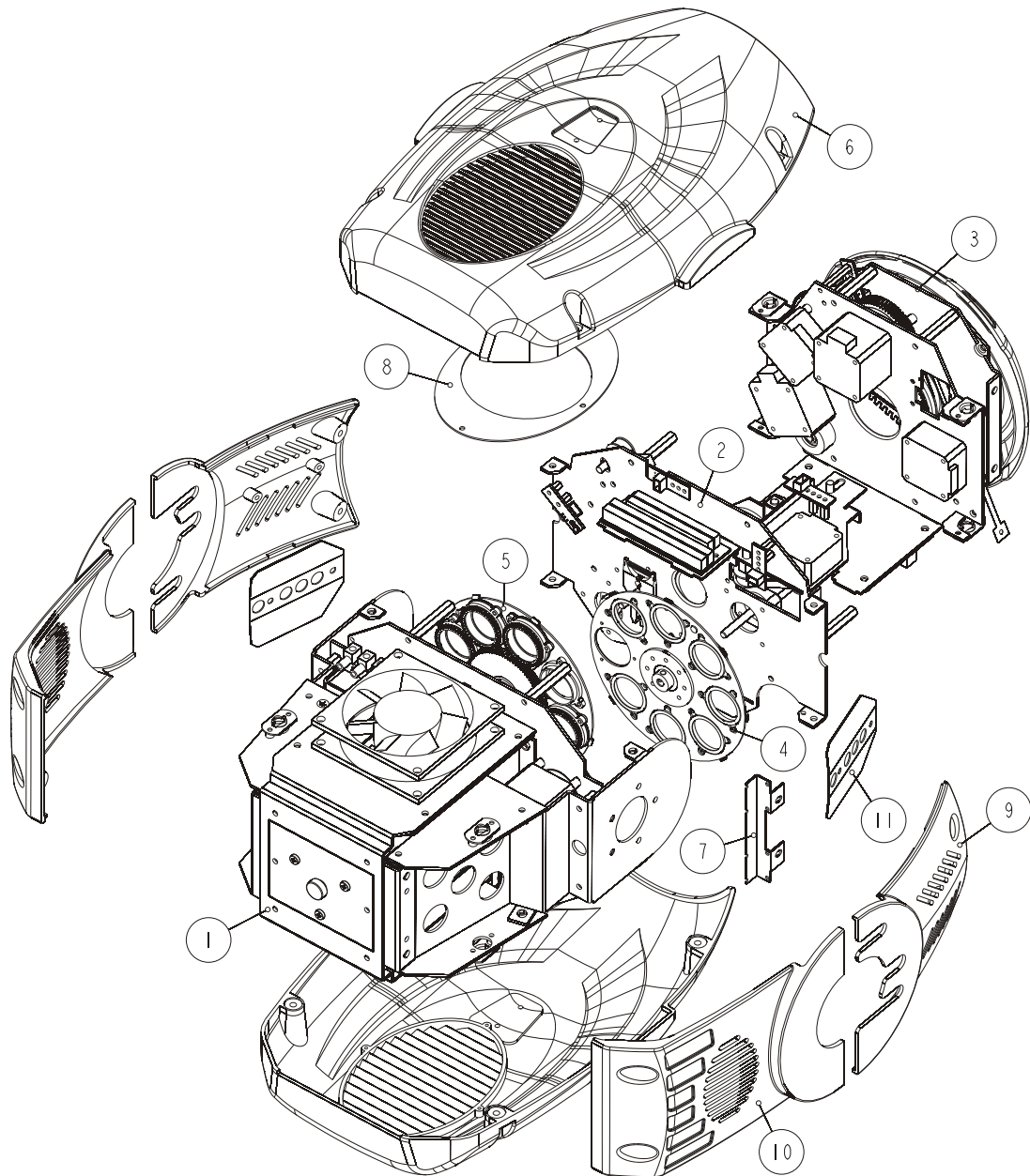
PRODUCT		PHS-260			
PIC. NO.		01-V250S-02-00			
EDIT		FILE NO.	GS-EXP-011A		
CHECK		VERSION	NR	DATE	2005. 12. 25
APPROVE		ECN NO.		DATE	



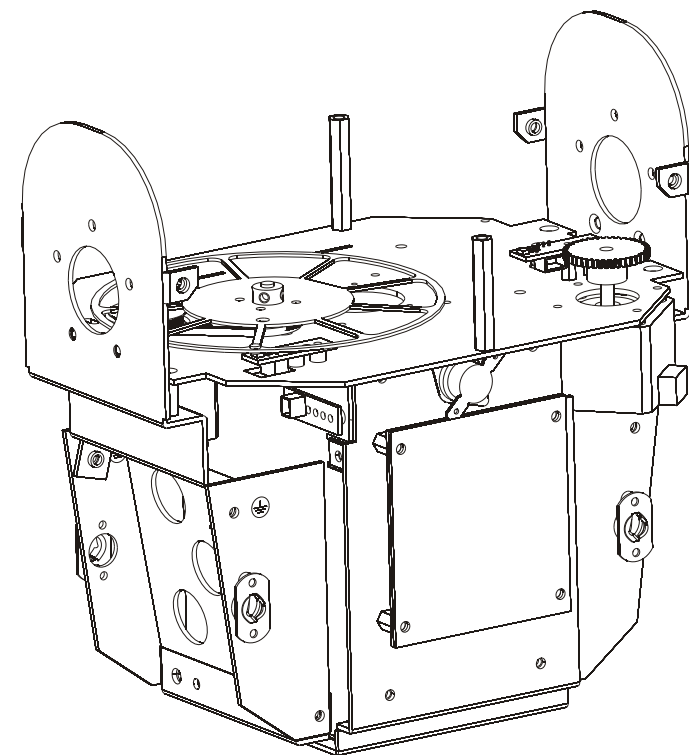
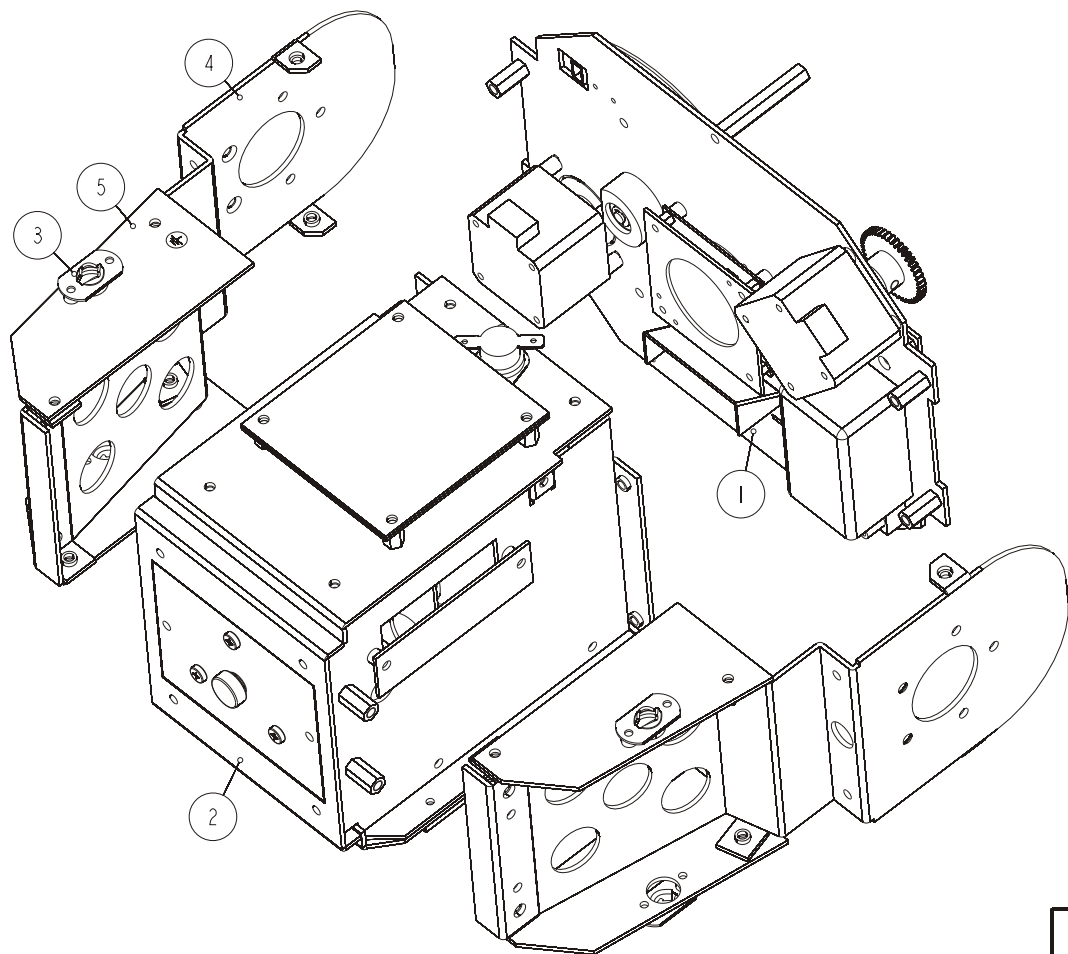
PRODUCT		PHS-260			
PIC. NO.		01-V250S-02-01			
EDIT		FILE NO.	GS-EXP-011A		
CHECK		VERSION	NR	DATE	2005. 12. 25
APPROVE		ECN NO.		DATE	



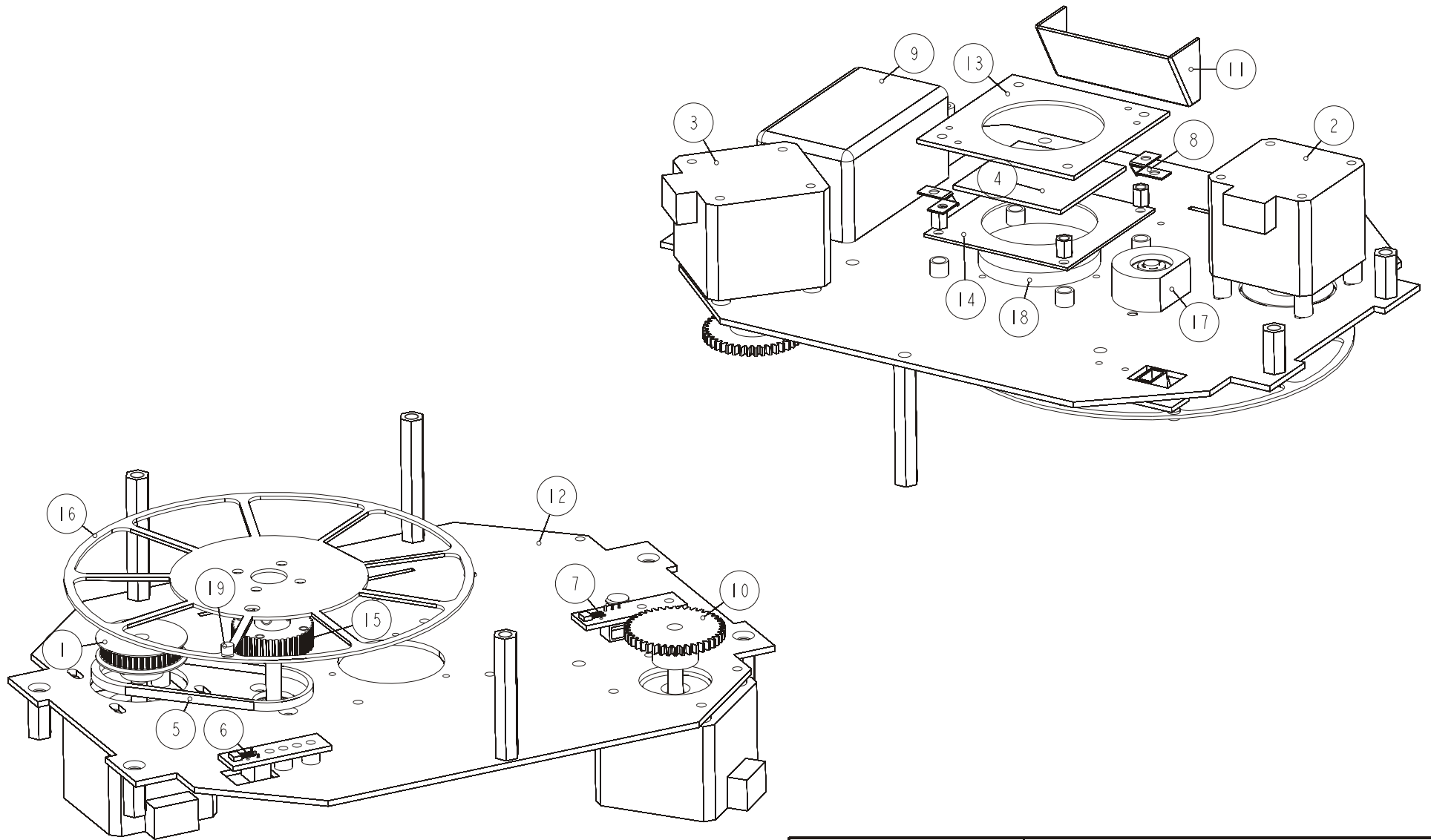
PRODUCT		PHS-260			
PIC. NO.		01-V250S-02-02			
EDIT		FILE NO.	GS-EXP-011A		
CHECK		VERSION	NR	DATE	2005. 12. 25
APPROVE		ECN NO.		DATE	



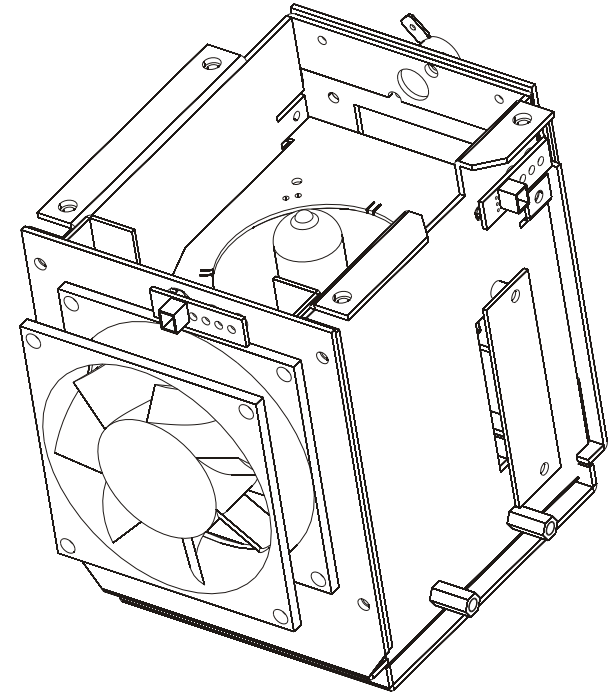
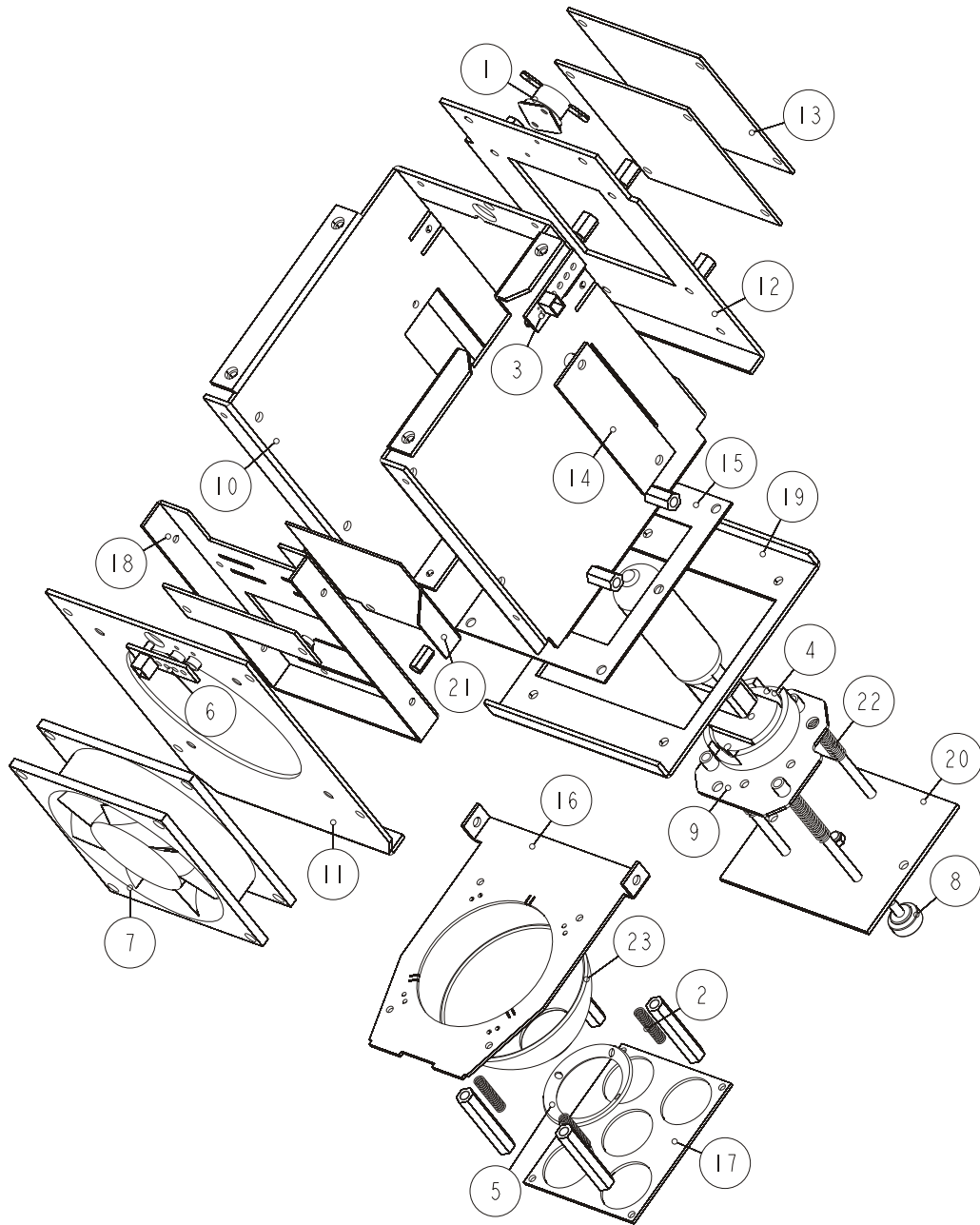
PRODUCT		PHS-260			
PIC. NO.		04-V260S-02-00			
EDIT		FILE NO.	GS-EXP-011A		
CHECK		VERSION	NR	DATE	2005. 12. 25
APPROVE		ECN NO.		DATE	



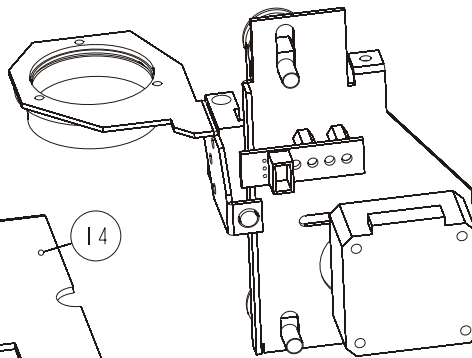
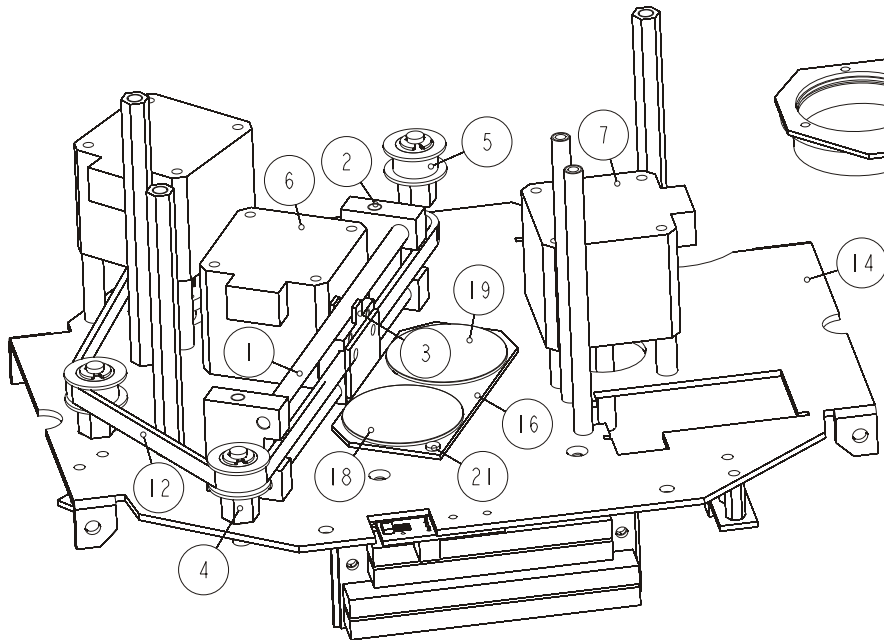
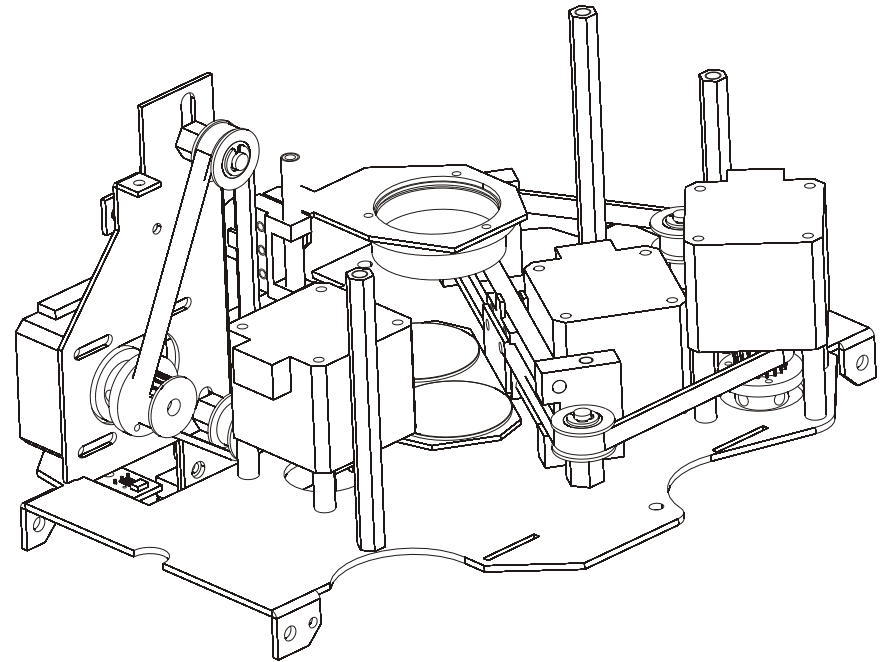
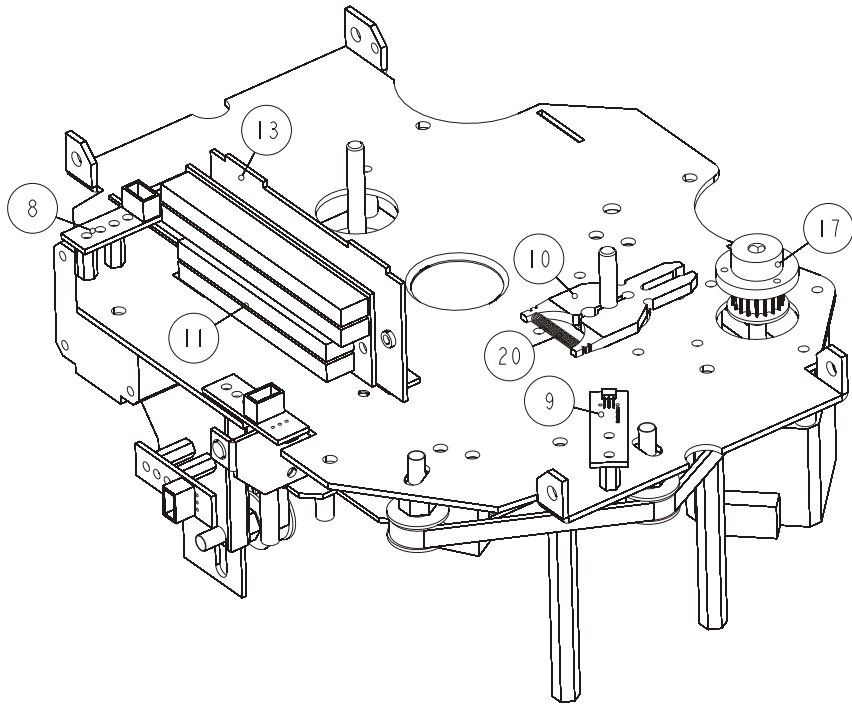
PRODUCT		PHS-260			
PIC. NO.		04-V260S-02-01			
EDIT		FILE NO.	GS-EXP-011A		
CHECK		VERSION	NR	DATE	2005. 12. 25
APPROVE		ECN NO.		DATE	



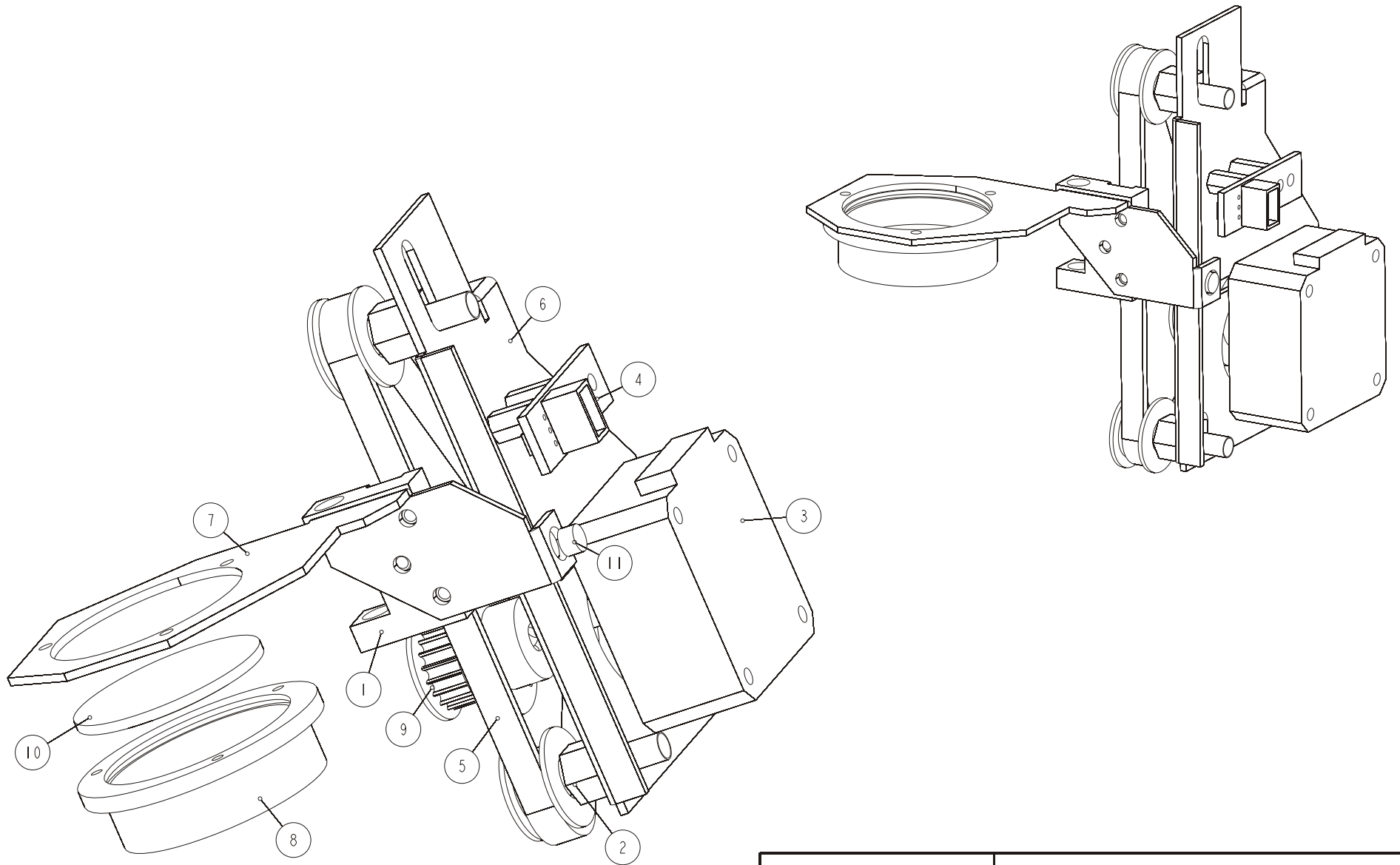
PRODUCT		PHS-260			
PIC. NO.		04-V260S-02-01-01			
EDIT		FILE NO.	GS-EXP-011A		
CHECK		VERSION	NR	DATE	2005. 12. 25
APPROVE		ECN NO.		DATE	



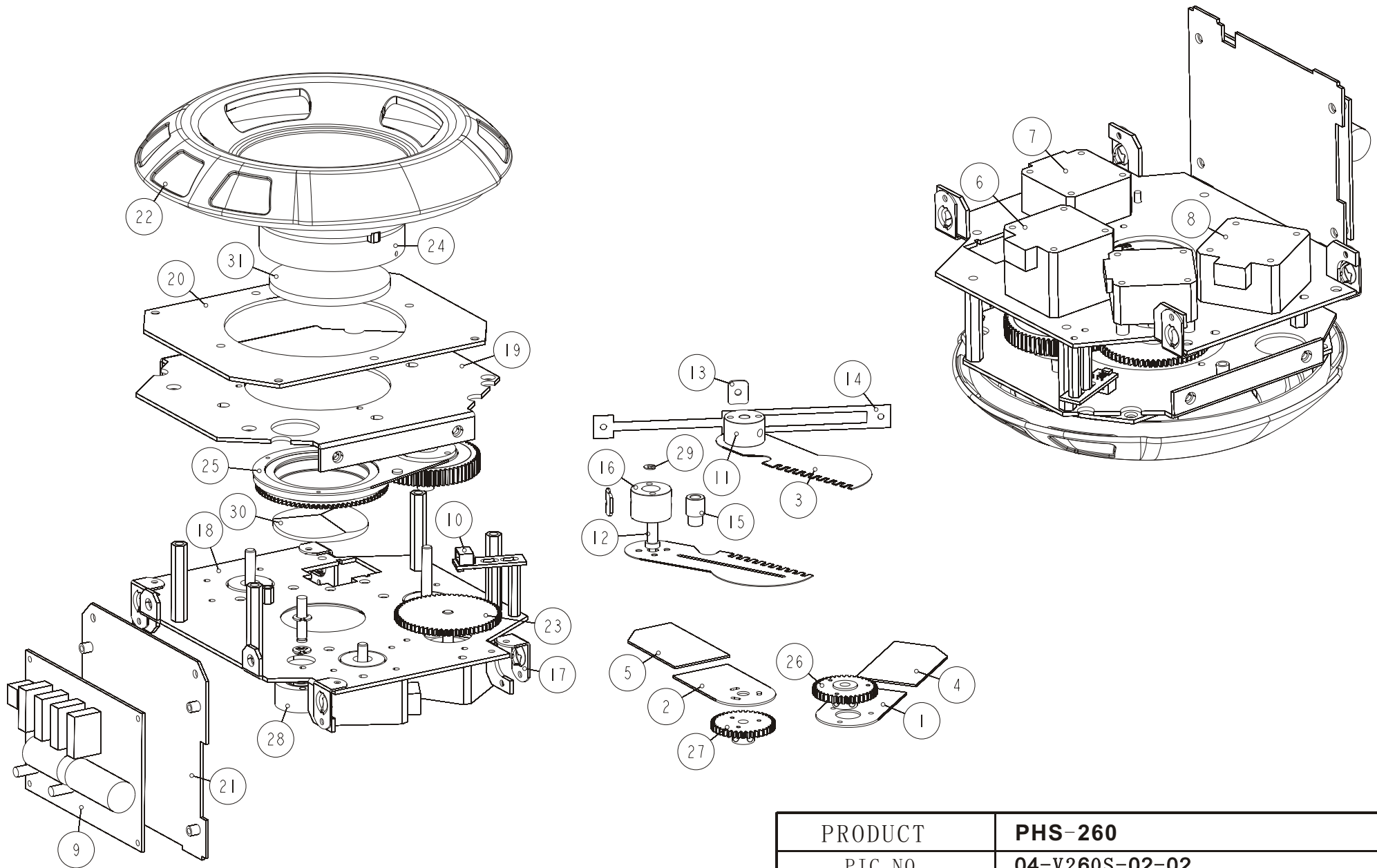
PRODUCT		PHS-260			
PIC. NO.		04-V260S-02-01-02			
EDIT		FILE NO.	GS-EXP-011A		
CHECK		VERSION	NR	DATE	2005. 12. 25
APPROVE		ECN NO.		DATE	



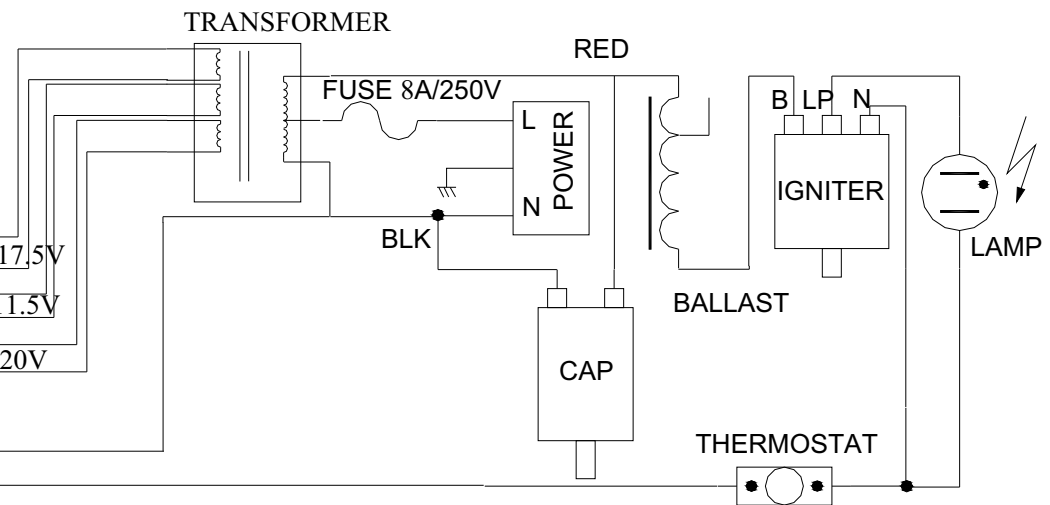
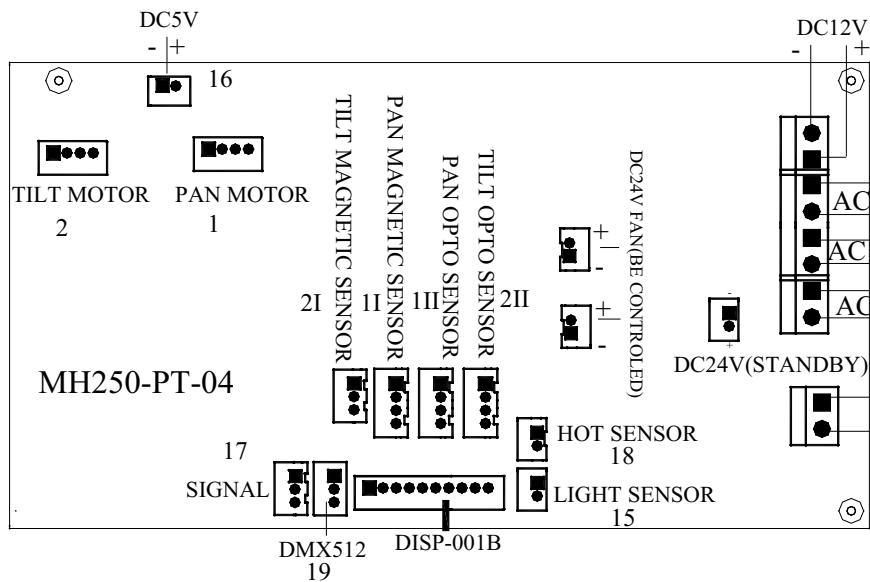
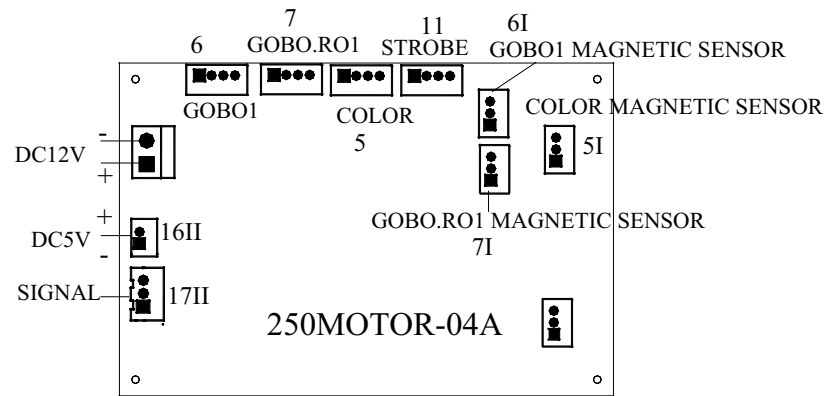
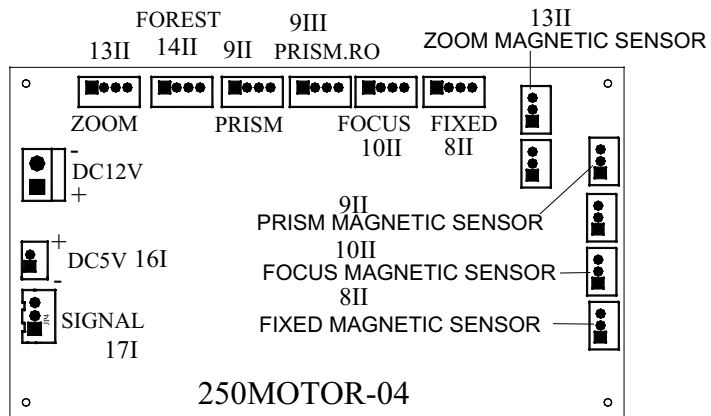
PRODUCT		PHS-260			
PIC. NO.		04-V260S-02-02			
EDIT		FILE NO.	GS-EXP-011A		
CHECK		VERSION	NR	DATE	2005. 12. 25
APPROVE		ECN NO.		DATE	



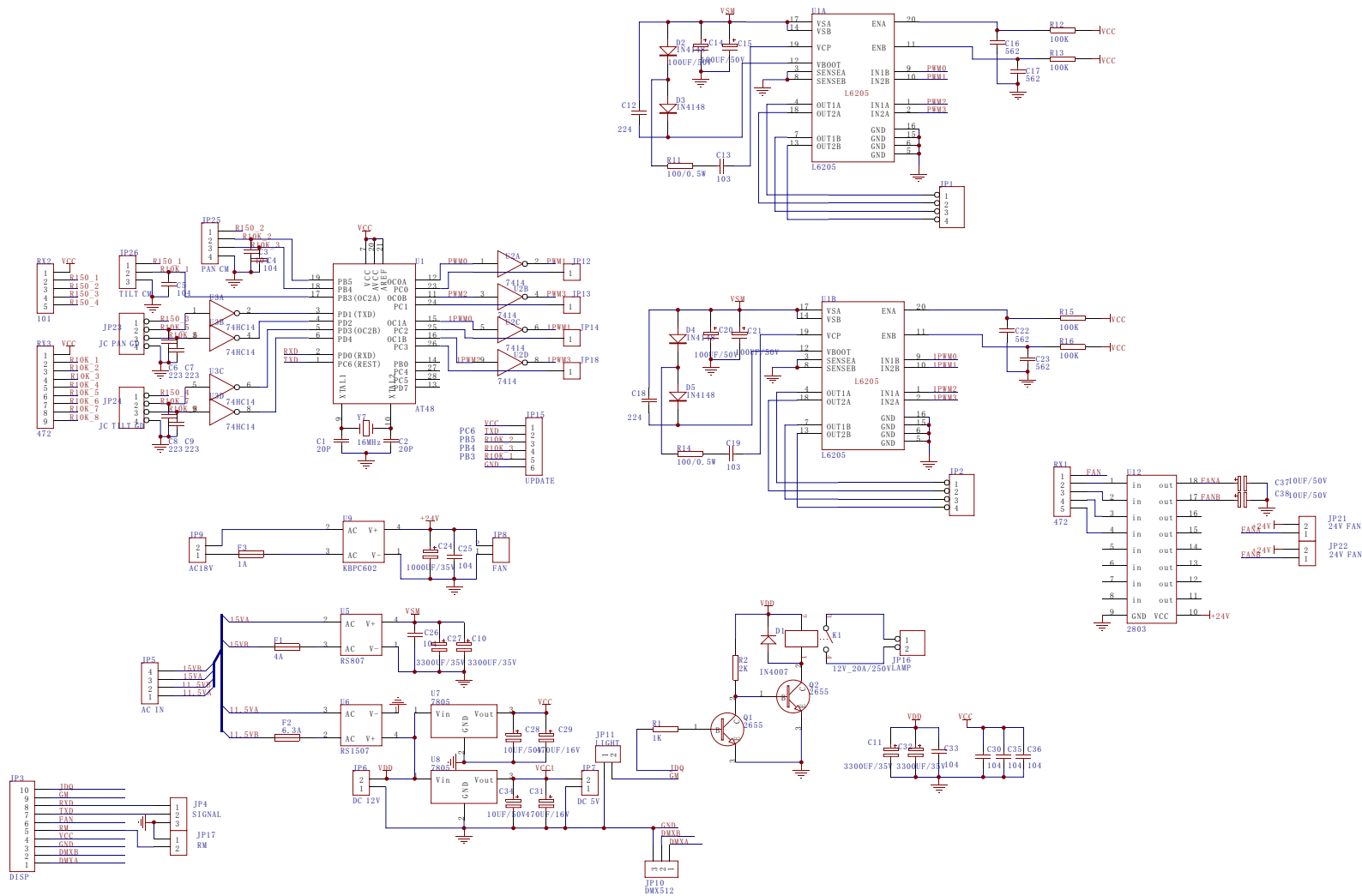
PRODUCT		PHS-260			
PIC. NO.		Y-V250S-03-027-00			
EDIT		FILE NO.	GS-EXP-011A		
CHECK		VERSION	NR	DATE	2005. 12. 25
APPROVE		ECN NO.		DATE	



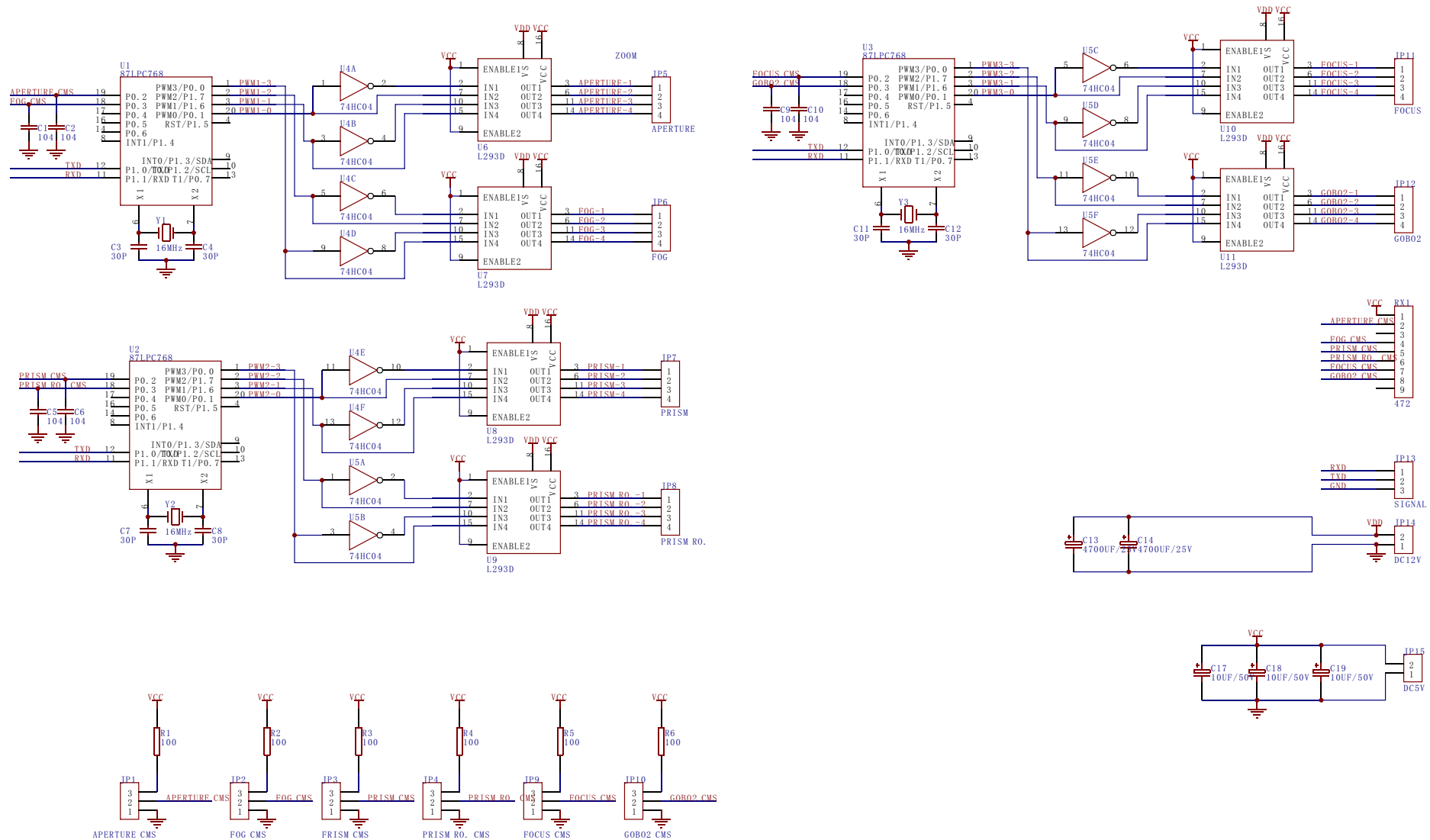
PRODUCT		PHS-260			
PIC. NO.		04-V260S-02-02			
EDIT		FILE NO.	GS-EXP-011A		
CHECK		VERSION	NR	DATE	2005. 12. 25
APPROVE		ECN NO.		DATE	



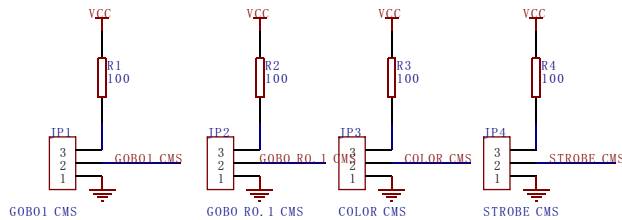
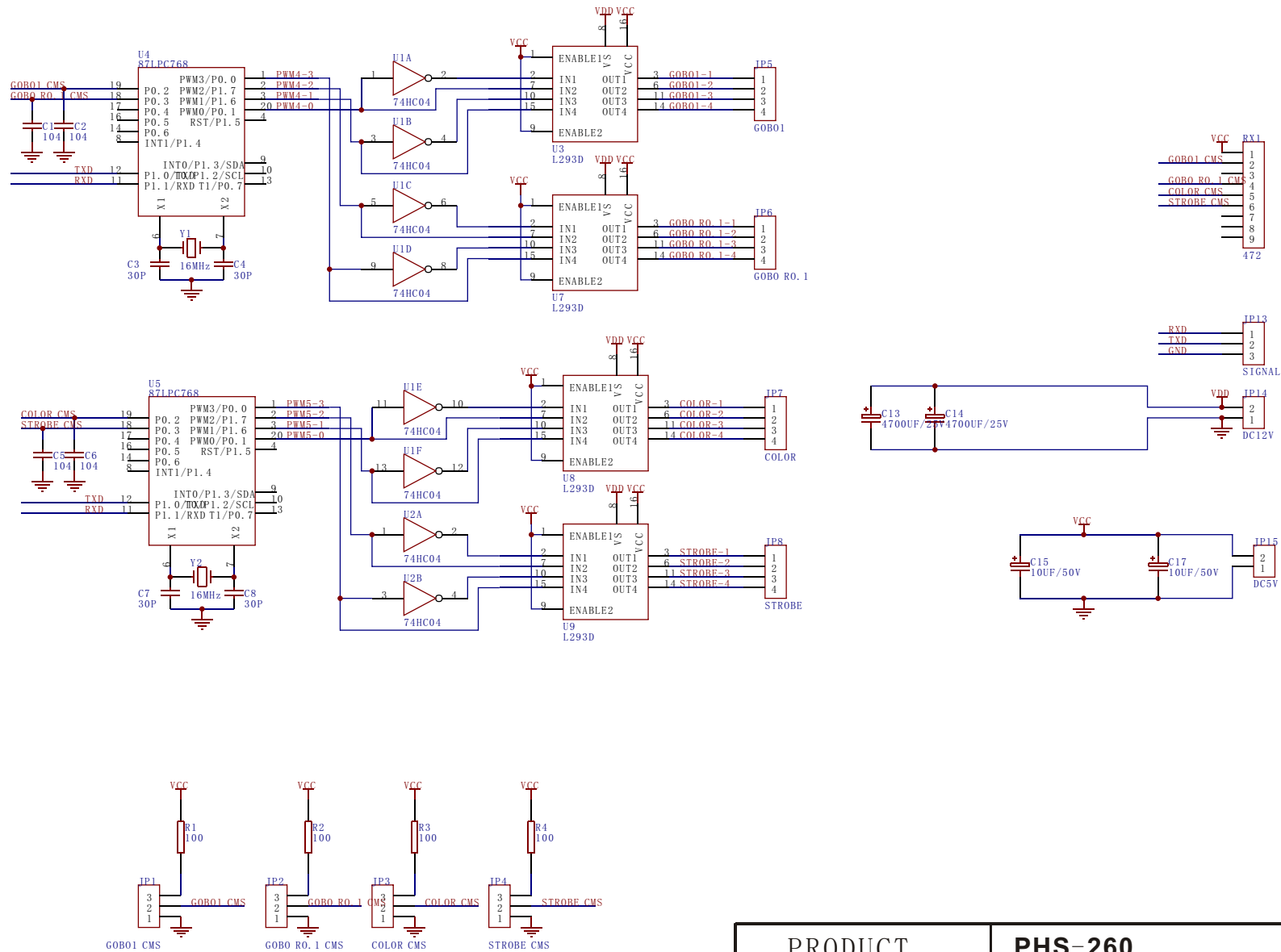
PRODUCT		PHS-260			
PIC. NO.		V260S ELECTRIC			
EDIT		FILE NO.	GS-WIJL-064		
CHECK		VERSION	NR	DATE	2005. 12. 25
APPROVE		ECN NO.		DATE	



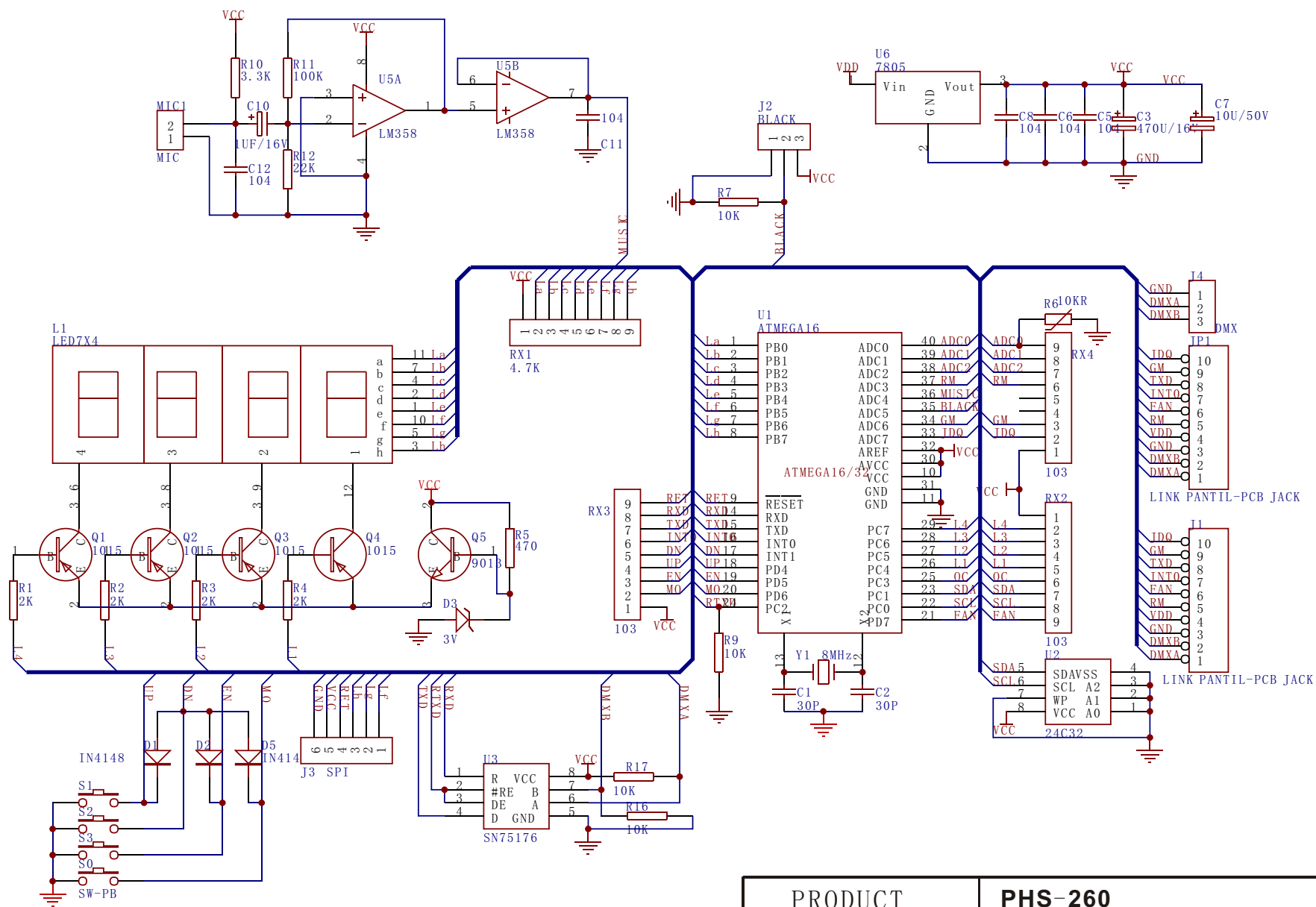
PRODUCT		PHS-260			
PIC. NO.		MH250-PT-04 SCHEME			
EDIT		FILE NO.	GS-WIDL-035		
CHECK		VERSION	NR	DATE	2005. 12. 25
APPROVE		ECN NO.		DATE	



PRODUCT		PHS-260		
PIC. NO.		250MOTOR-04 SCHEME		
EDIT		FILE NO.	GS-WIDL-036	
CHECK		VERSION	NR	DATE 2005. 12. 25
APPROVE		ECN NO.		DATE



PRODUCT		PHS-260		
PIC. NO.		250MOTOR-04A SCHEME		
EDIT		FILE NO.	GS-WIDL-037	
CHECK		VERSION	NR	DATE 2005. 12. 25
APPROVE		ECN NO.		DATE



PRODUCT		PHS-260			
PIC. NO.		DISP-001B SCHEME			
EDIT		FILE NO.	GS-WIDL-010		
CHECK		VERSION	NR	DATE	2005. 12. 25
APPROVE		ECN NO.		DATE	