

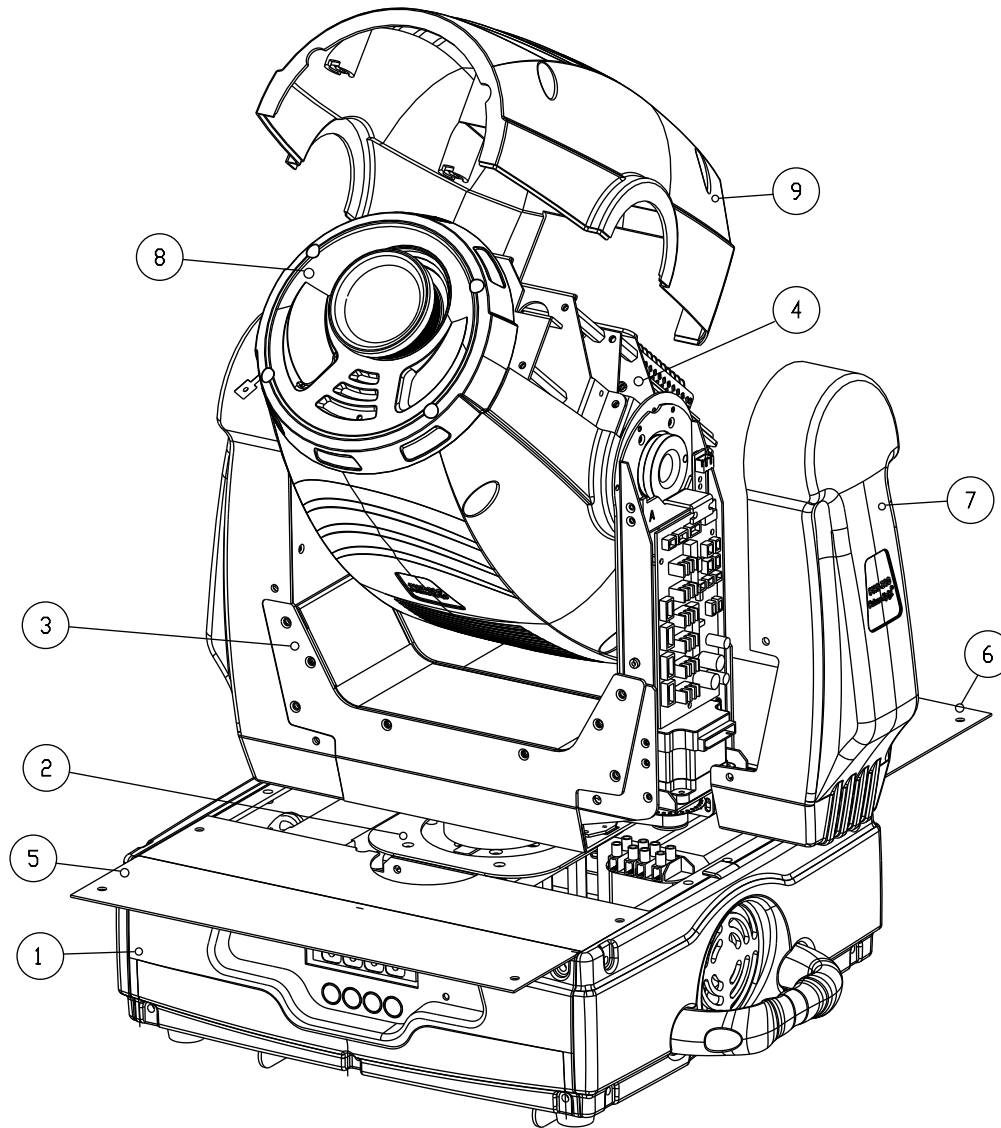
Service manual

PHS-210

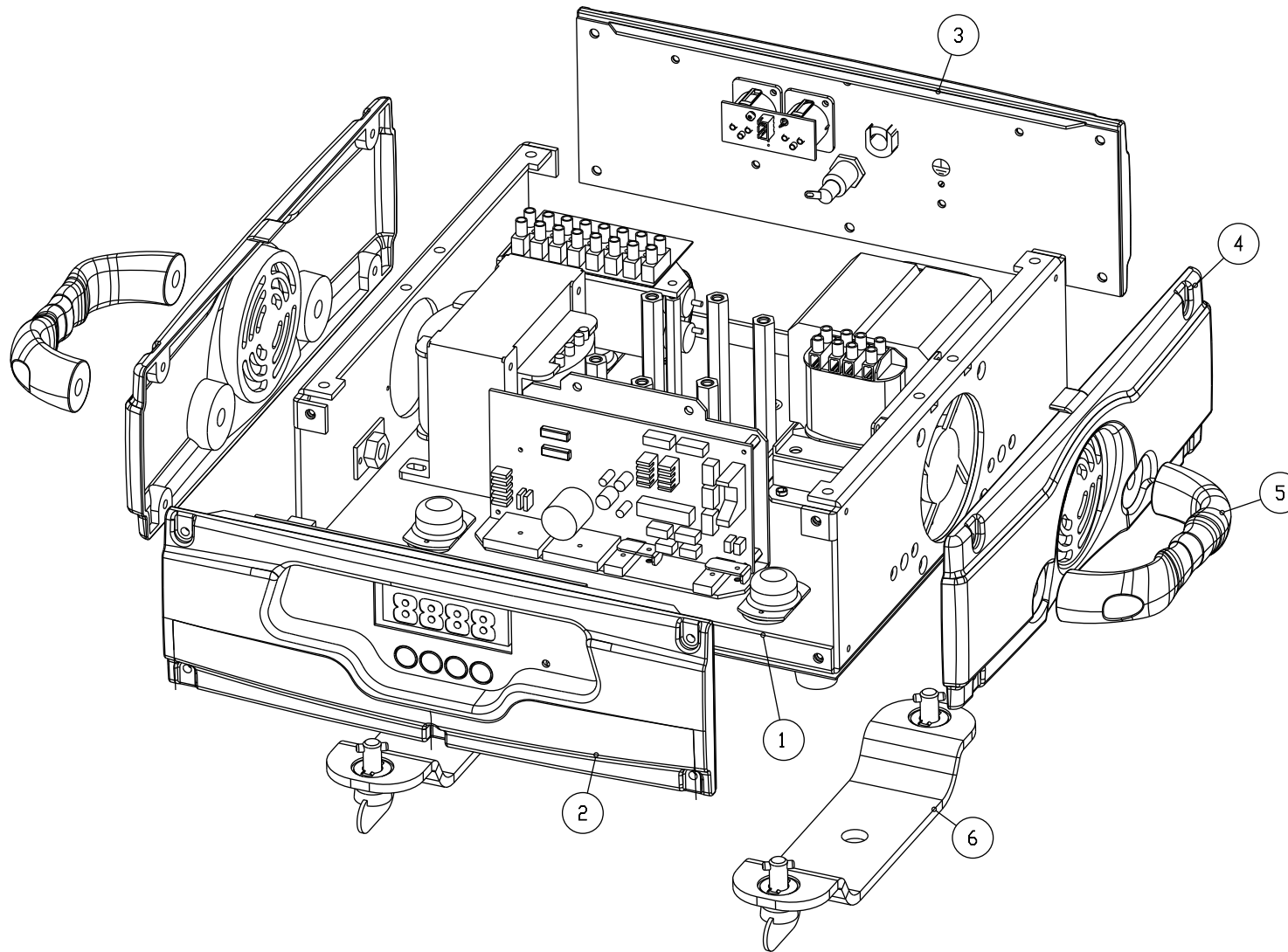
- ✘ **Exploded Diagrams**
- ✘ **Circuit Diagrams**
- ✘ **Wiring Diagrams**
- ✘ **Parts List**



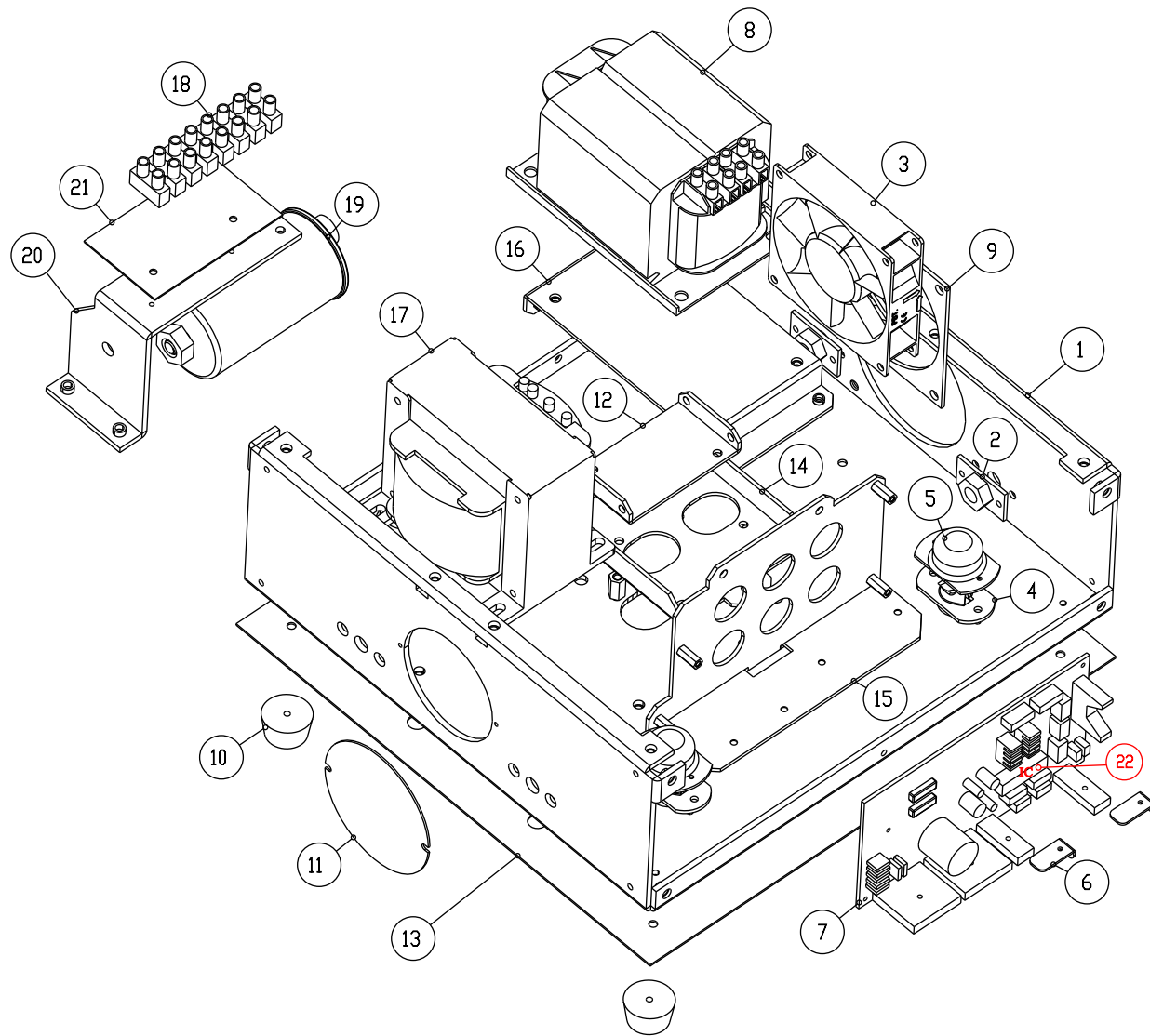
PRODUCT		PHS-210		
PIC. NO.		Front Page	Series No.	51838166X10NXS00010001-50
EDIT		FILE NO.	HY-EXP-773A	
CHECK		ORDER NO.	SO20100283	
APPROVE		VERSION	NR	SOFTWARE VER. V1.0



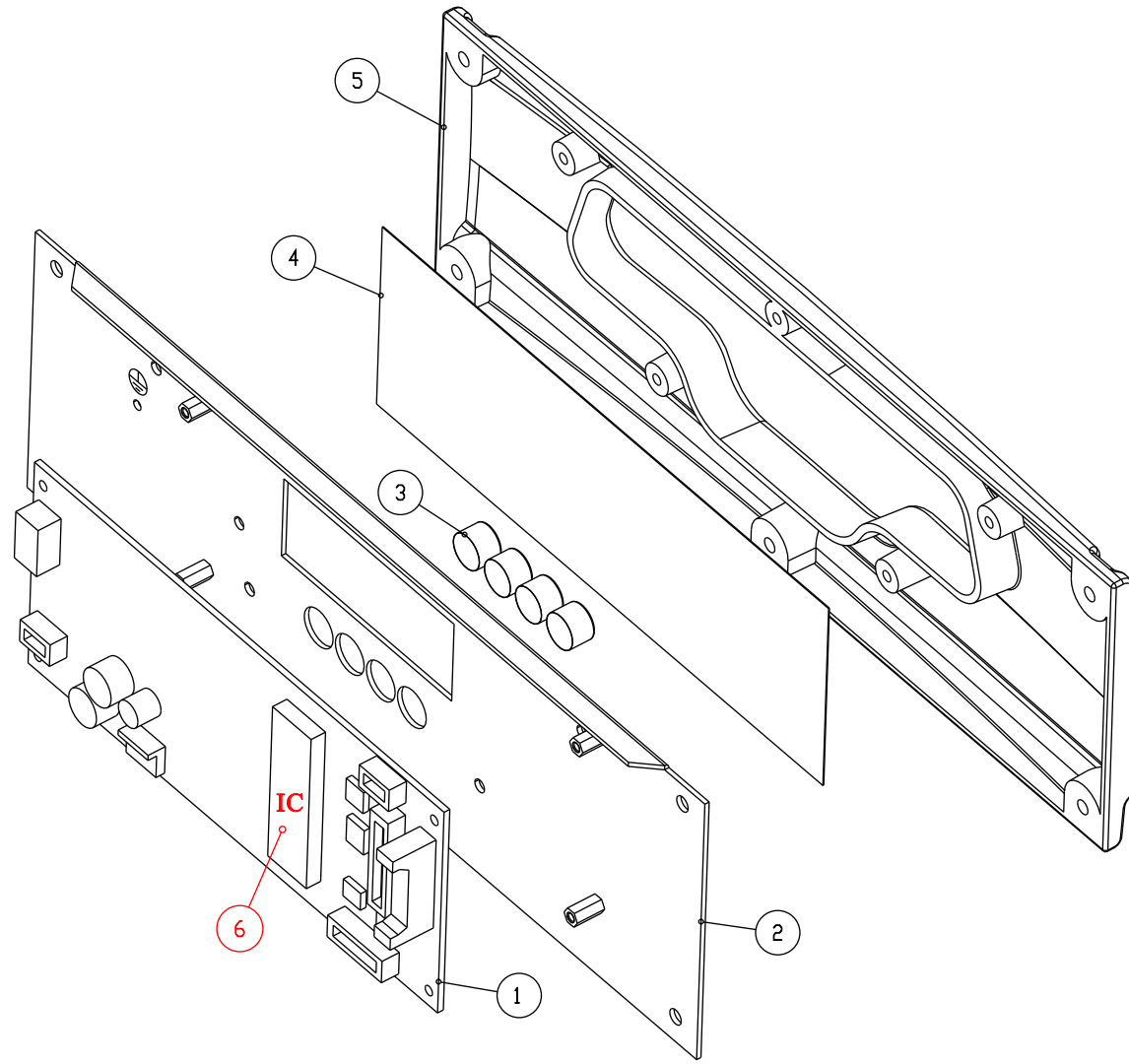
PRODUCT		PHS-210			
PIC. NO.		13-0077-00-00-00			
EDIT		FILE NO.	HY-EXP-773A	PAGE NO.	1/21
CHECK		VERSION	NR	DATE	2010.09.29
APPROVE		ECN NO.		DATE	



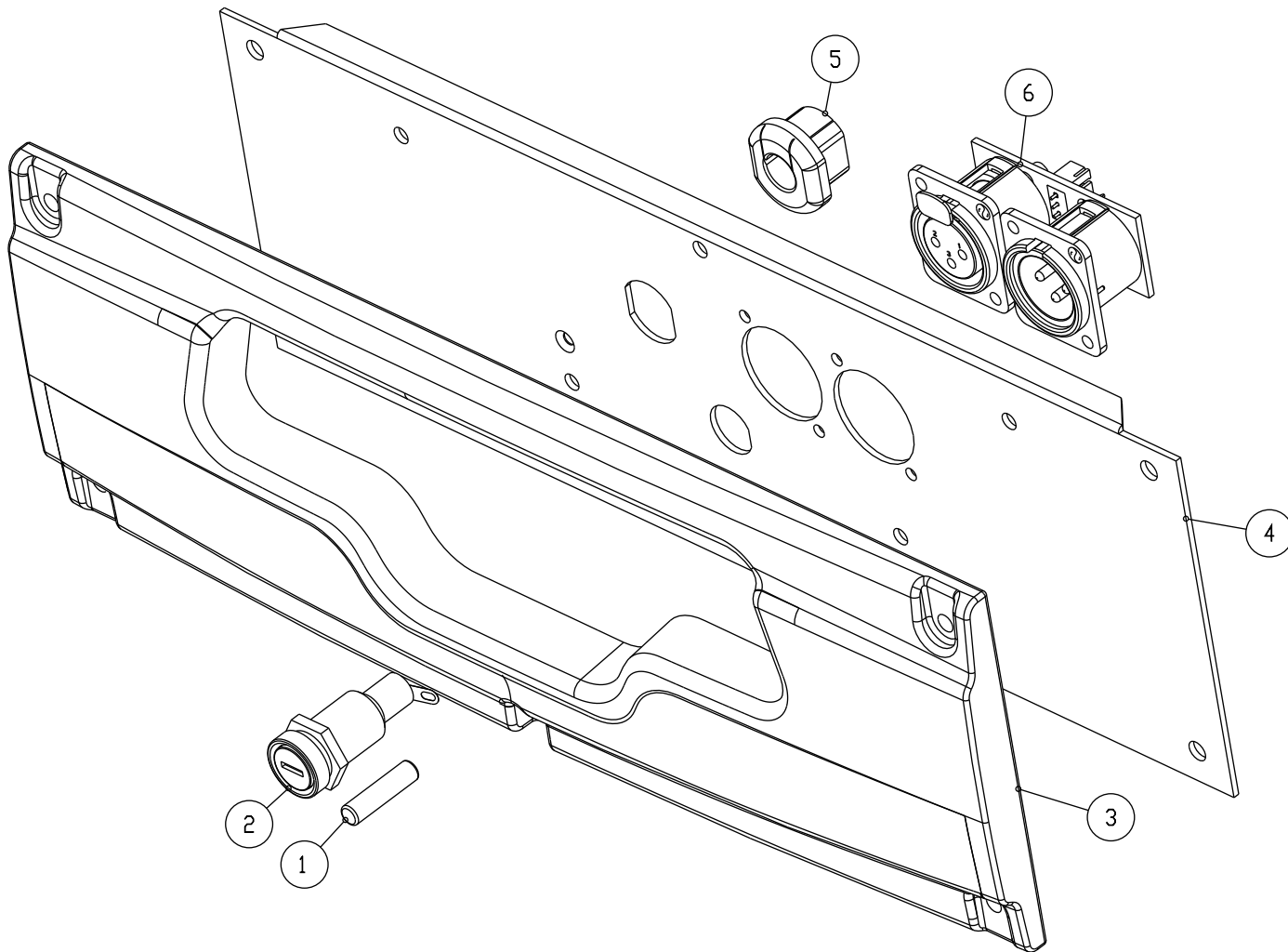
PRODUCT		PHS-210			
PIC. NO.		13-0077-01-00-00			
EDIT		FILE NO.	HY-EXP-773A	PAGE NO.	2/21
CHECK		VERSION	NR	DATE	2010.09.29
APPROVE		ECN NO.		DATE	



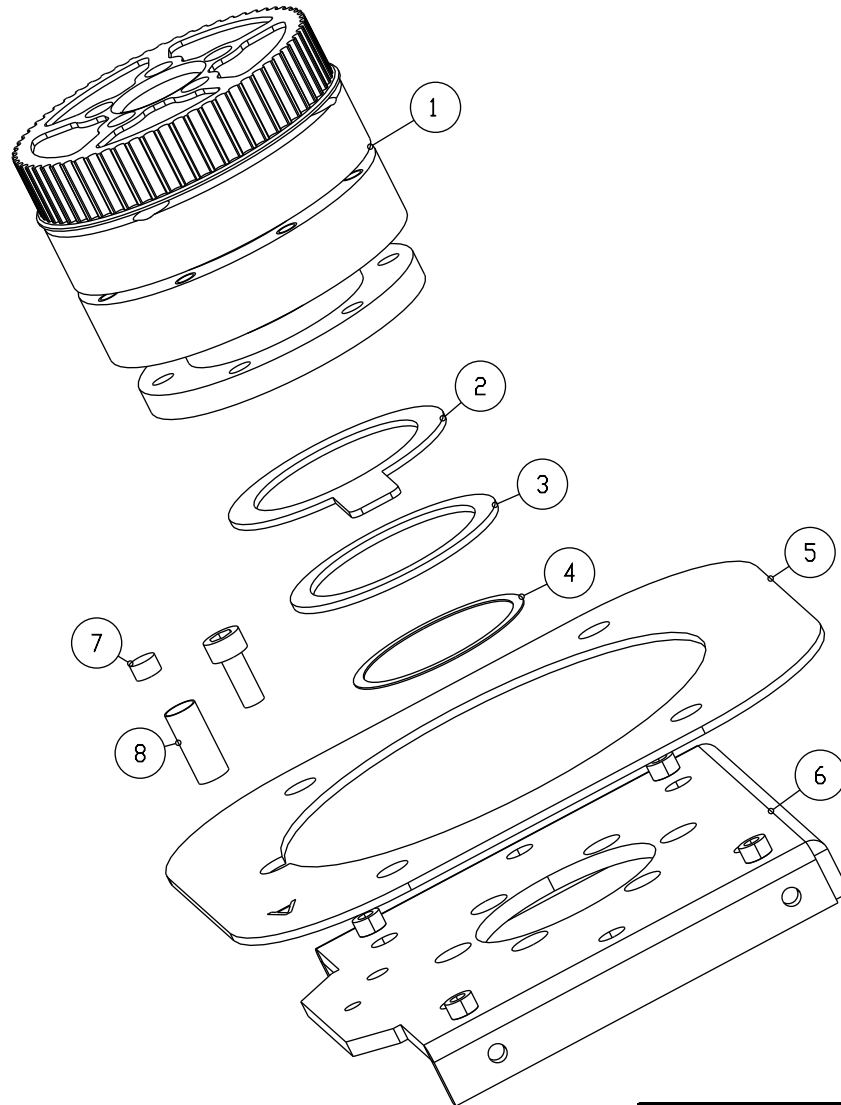
PRODUCT		PHS-210			
PIC. NO.		13-0077-01-01-00			
EDIT		FILE NO.	HY-EXP-773A	PAGE NO.	3/21
CHECK		VERSION	NR	DATE	2010.09.29
APPROVE		ECN NO.		DATE	



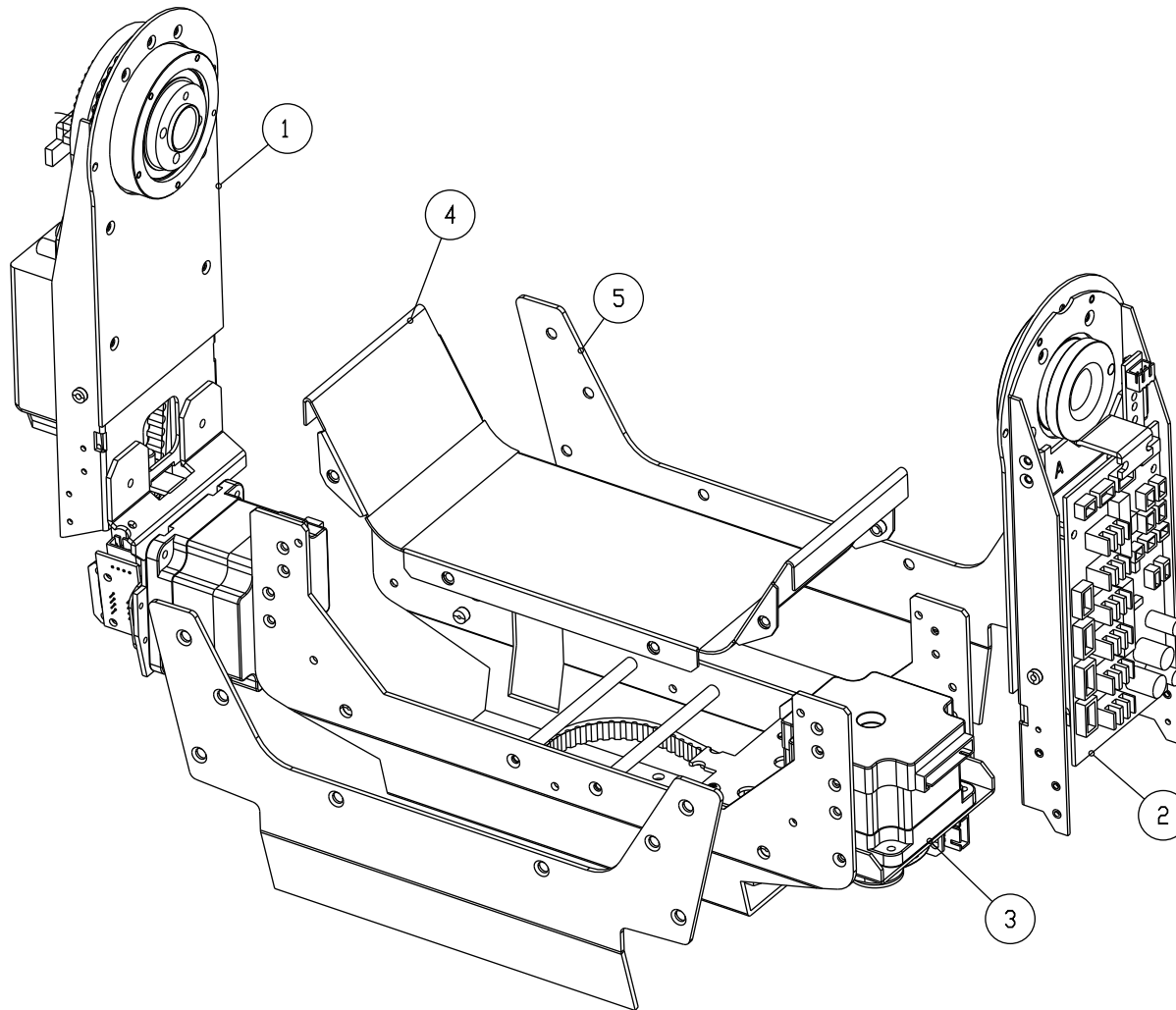
PRODUCT		PHS-210			
PIC. NO.		13-0077-01-02-00			
EDIT		FILE NO.	HY-EXP-773A	PAGE NO.	4/21
CHECK		VERSION	NR	DATE	2010.09.29
APPROVE		ECN NO.		DATE	



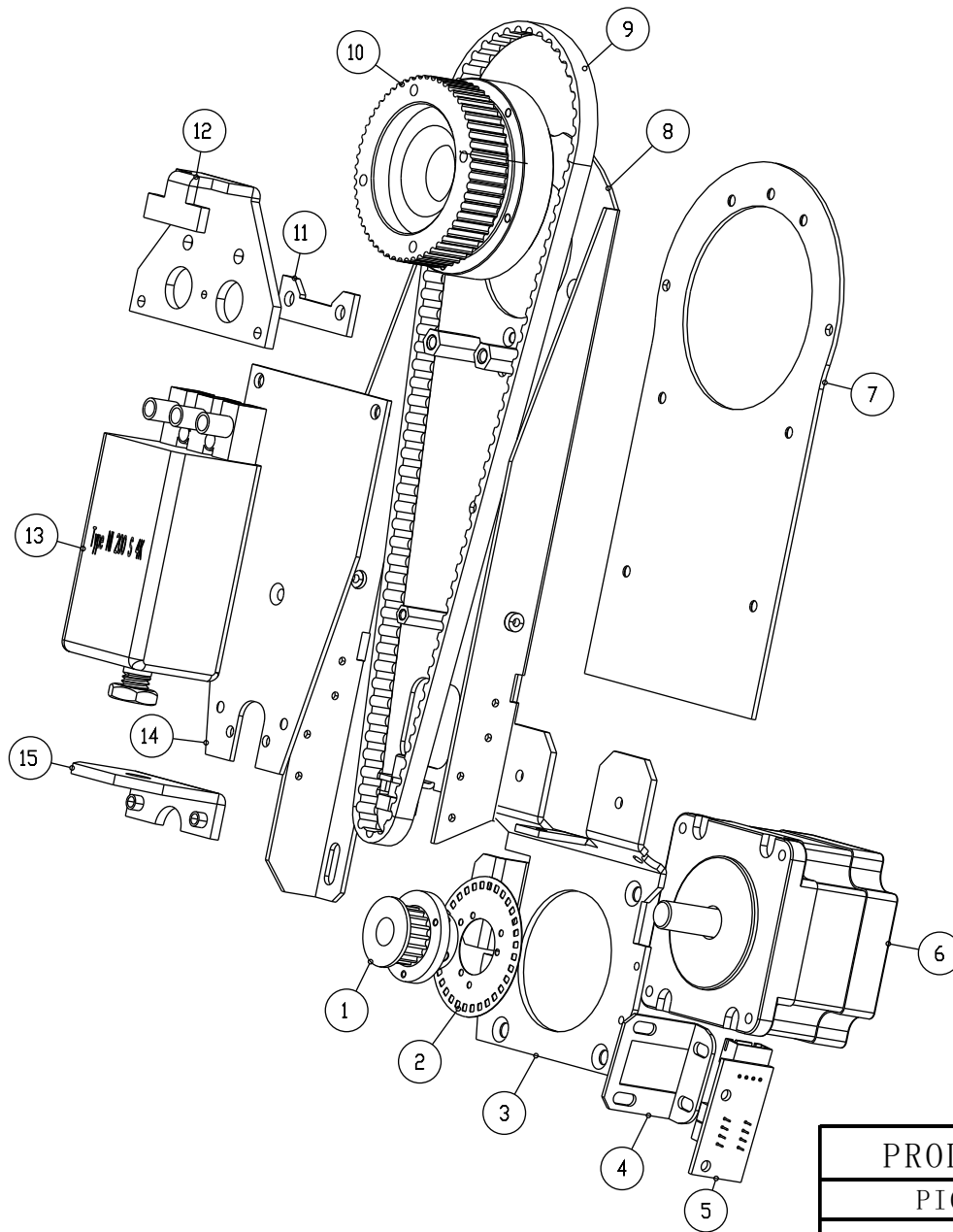
PRODUCT		PHS-210			
PIC. NO.		13-0077-01-03-00			
EDIT		FILE NO.	HY-EXP-773A	PAGE NO.	5/21
CHECK		VERSION	NR	DATE	2010.09.29
APPROVE		ECN NO.		DATE	



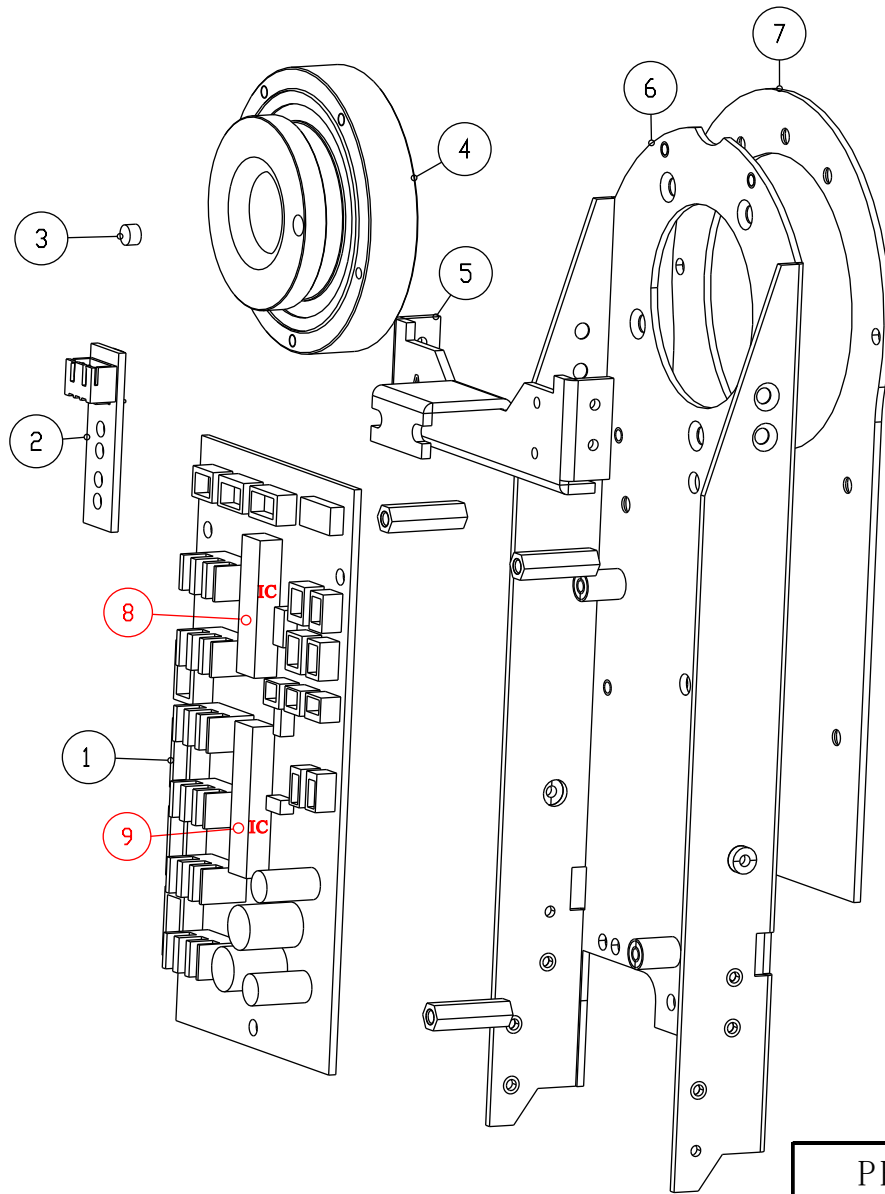
PRODUCT		PHS-210			
PIC. NO.		13-0077-02-00-00			
EDIT		FILE NO.	HY-EXP-773A	PAGE NO.	6/21
CHECK		VERSION	NR	DATE	2010.09.29
APPROVE		ECN NO.		DATE	



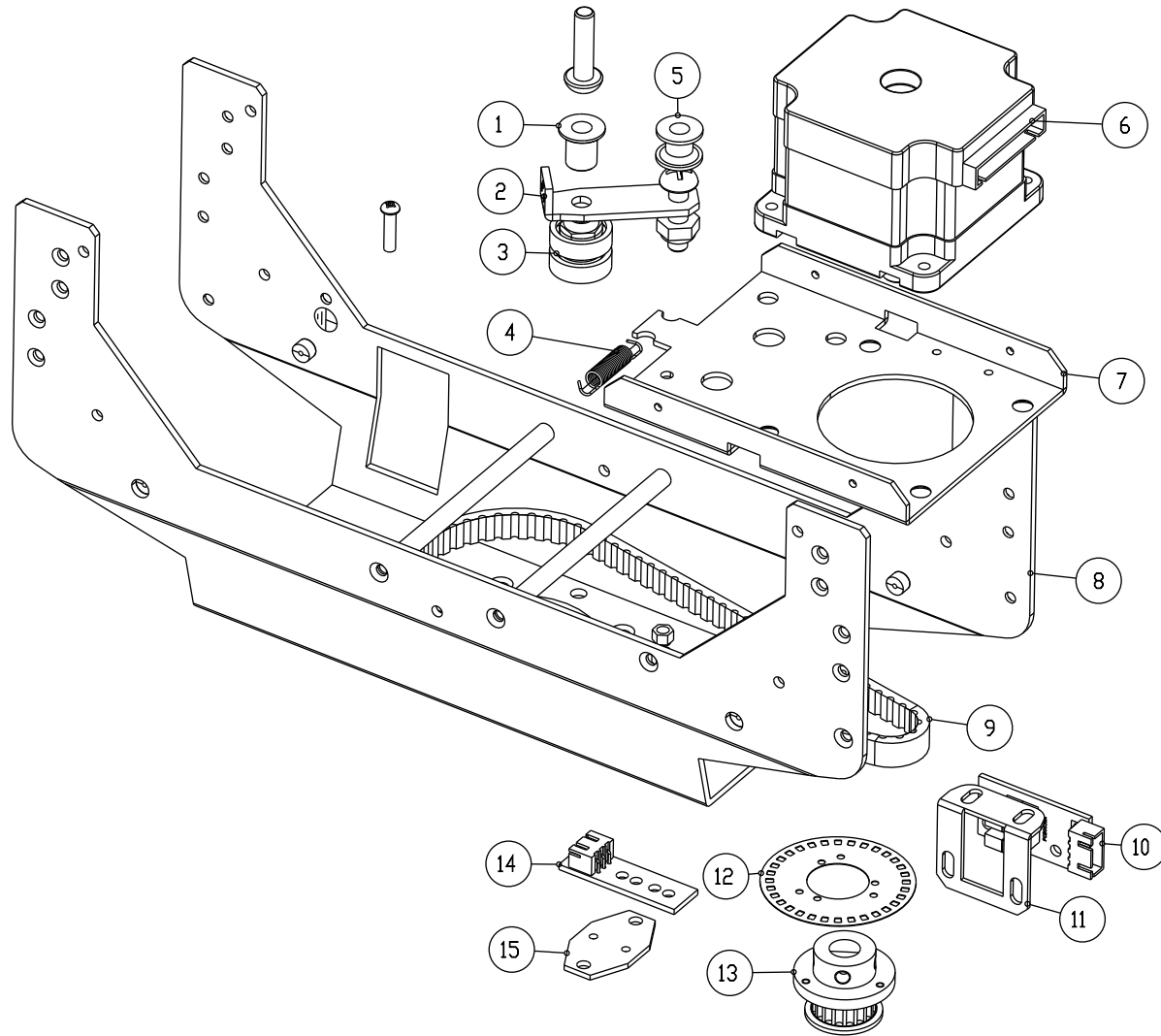
PRODUCT		PHS-210			
PIC. NO.		13-0077-03-00-00			
EDIT		FILE NO.	HY-EXP-773A	PAGE NO.	7/21
CHECK		VERSION	NR	DATE	2010.09.29
APPROVE		ECN NO.		DATE	



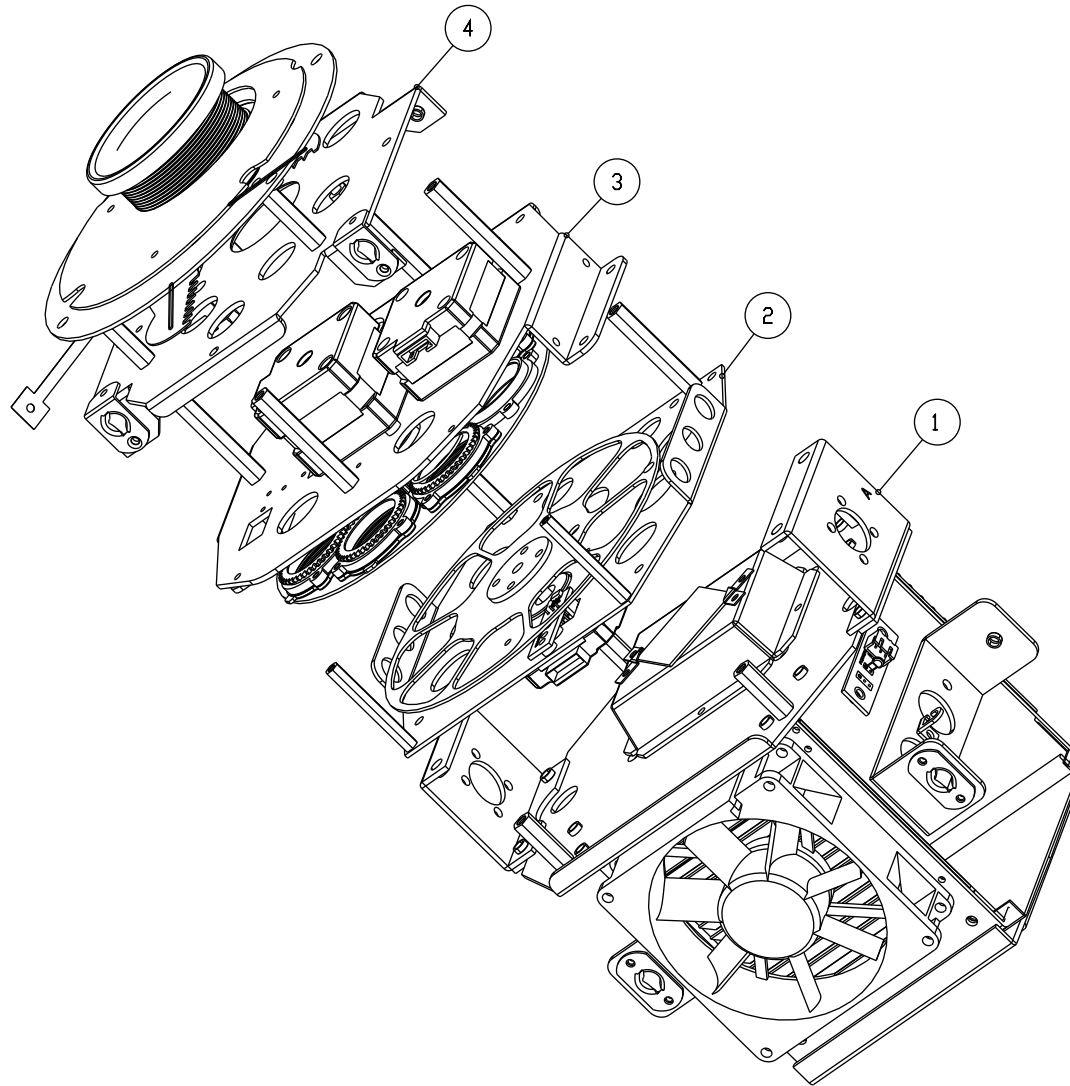
PRODUCT		PHS-210			
PIC. NO.		13-0077-03-01-00			
EDIT		FILE NO.	HY-EXP-773A	PAGE NO.	8/21
CHECK		VERSION	NR	DATE	2010.09.29
APPROVE		ECN NO.		DATE	



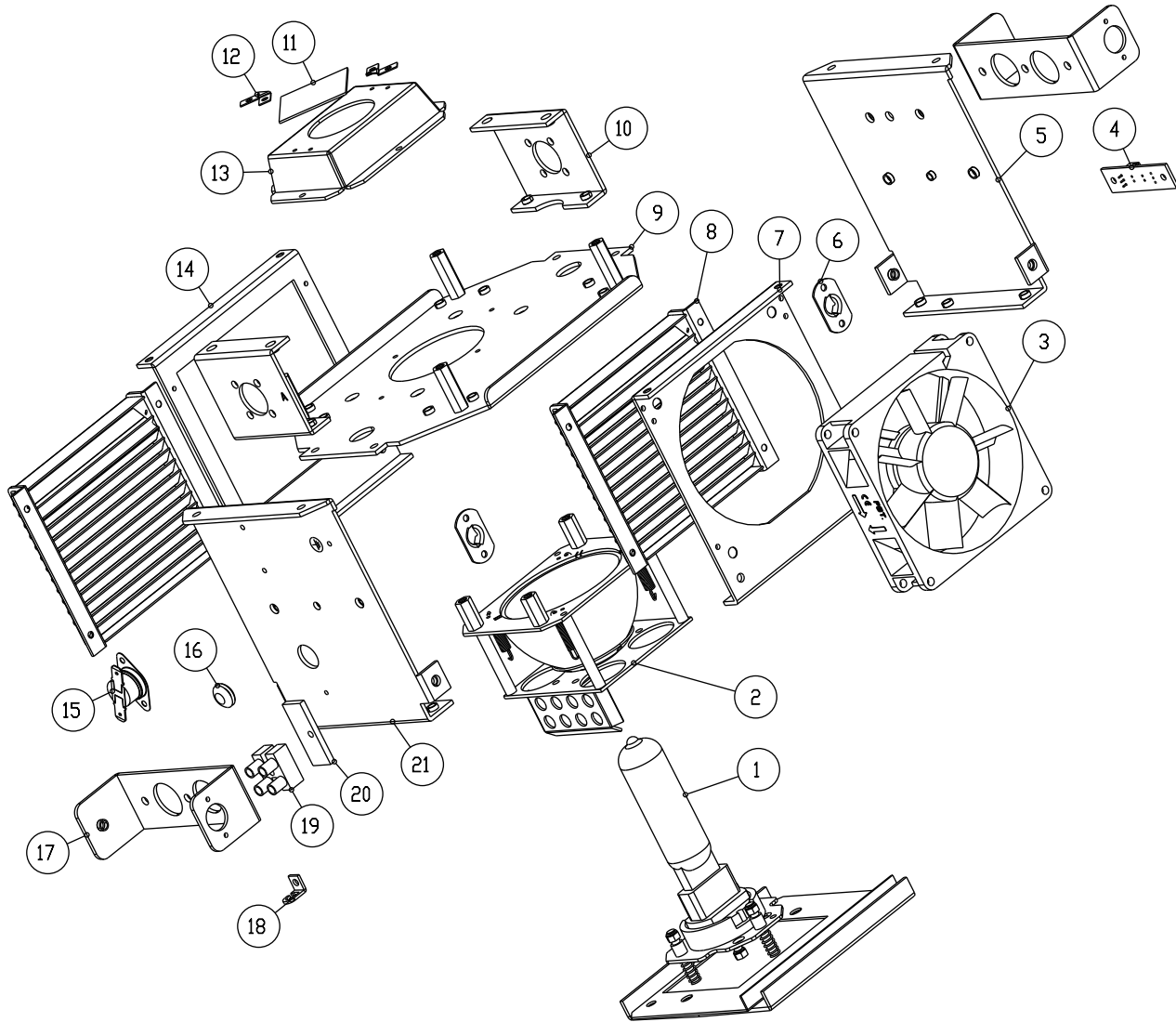
PRODUCT		PHS-210			
PIC. NO.		13-0077-03-02-00			
EDIT		FILE NO.	HY-EXP-773A	PAGE NO.	9/21
CHECK		VERSION	NR	DATE	2010.09.29
APPROVE		ECN NO.		DATE	



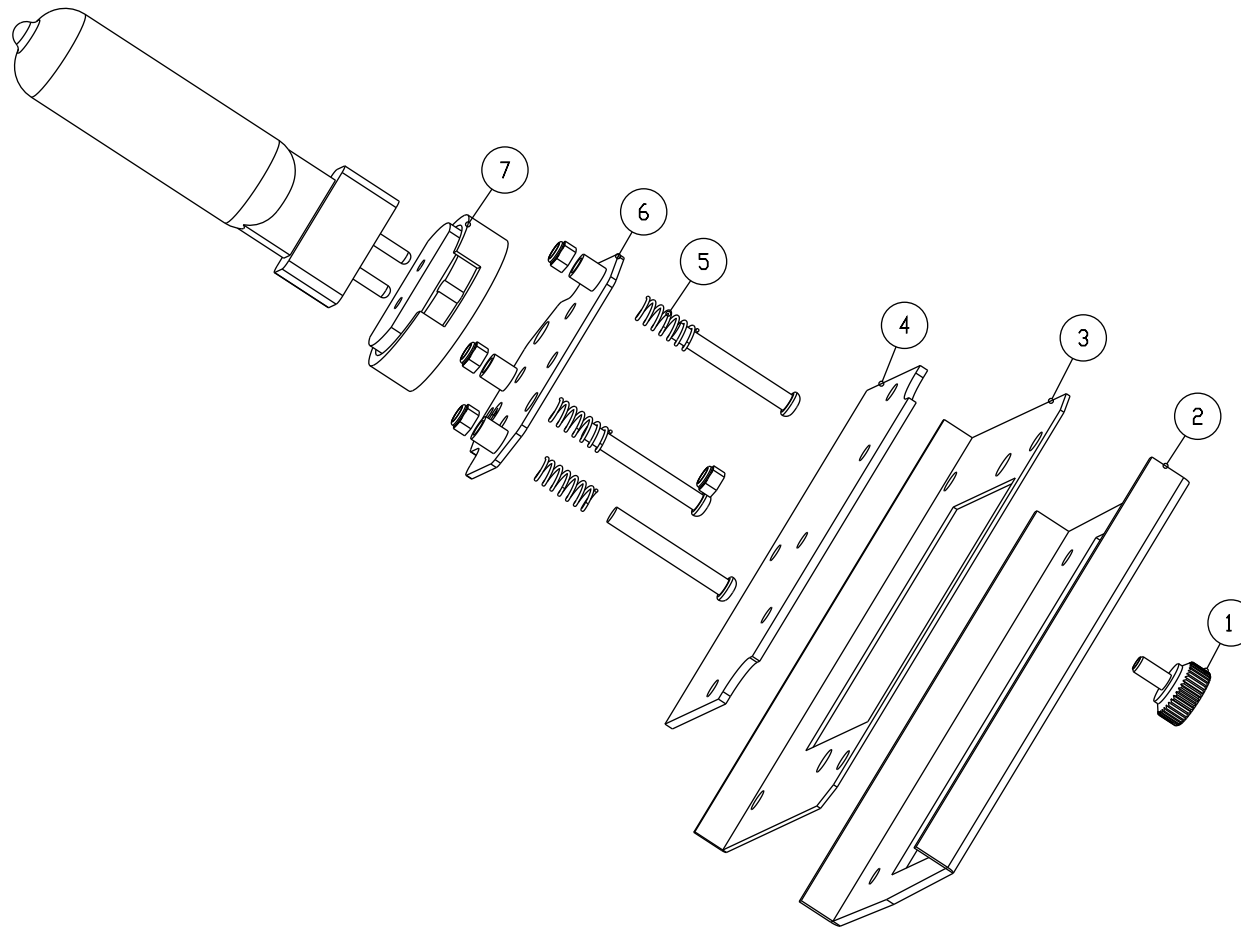
PRODUCT		PHS-210			
PIC. NO.		13-0077-03-03-00			
EDIT		FILE NO.	HY-EXP-773A	PAGE NO.	10/21
CHECK		VERSION	NR	DATE	2010.09.29
APPROVE		ECN NO.		DATE	



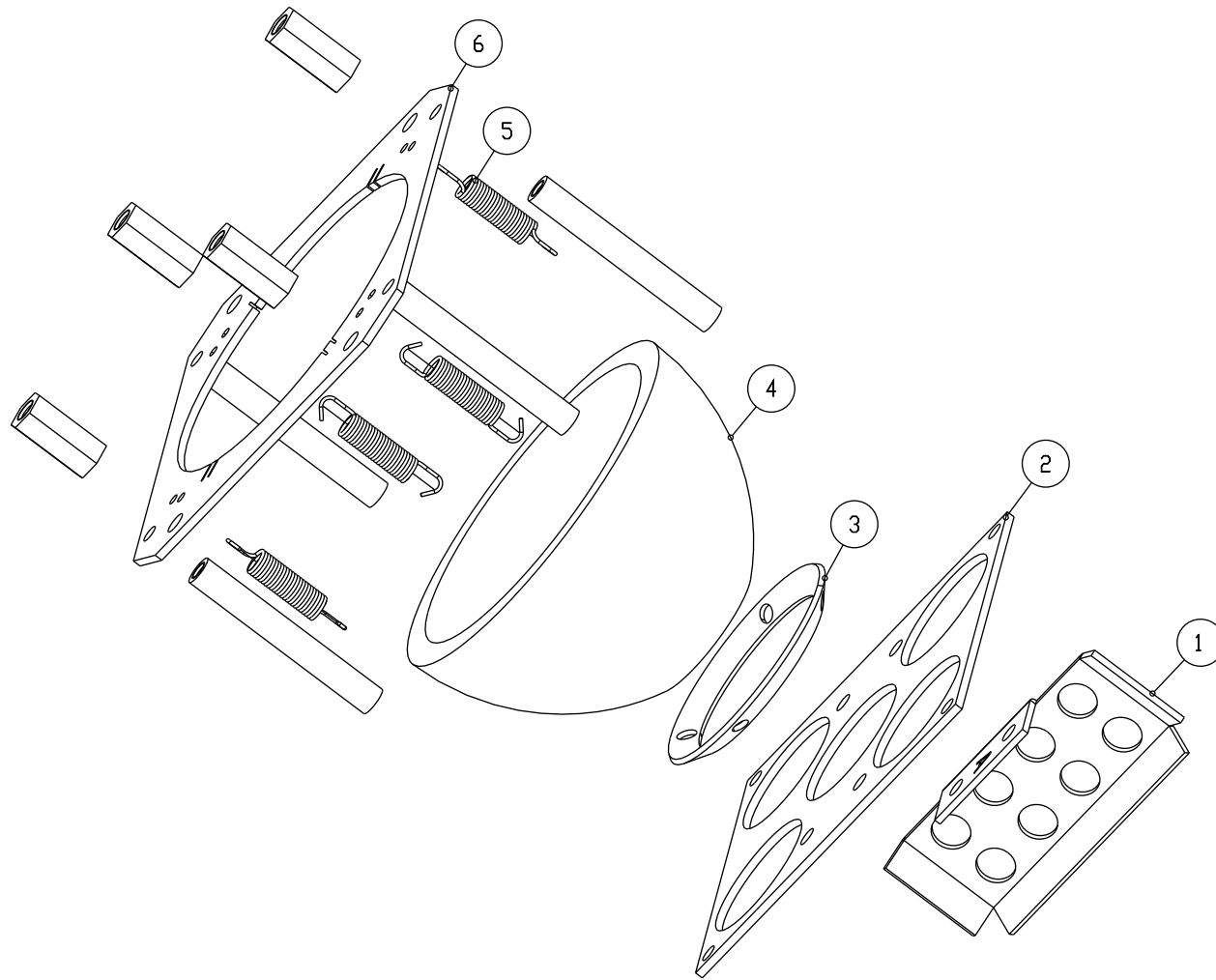
PRODUCT		PHS-210			
PIC. NO.		13-0077-04-00-00			
EDIT		FILE NO.	HY-EXP-773A	PAGE NO.	11/21
CHECK		VERSION	NR	DATE	2010.09.29
APPROVE		ECN NO.		DATE	



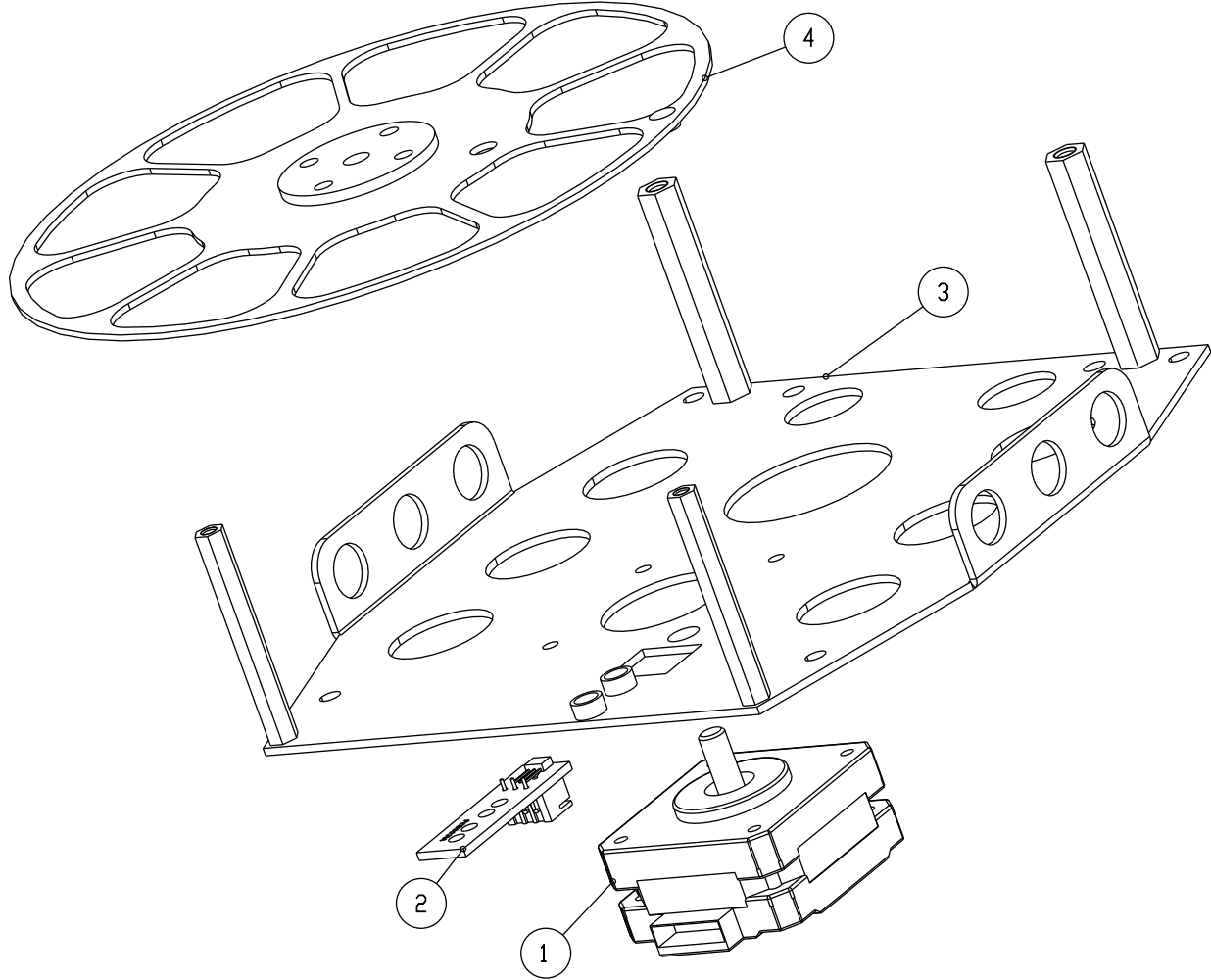
PRODUCT		PHS-210			
PIC. NO.		13-0077-04-01-00			
EDIT		FILE NO.	HY-EXP-773A	PAGE NO.	12/21
CHECK		VERSION	NR	DATE	2010.09.29
APPROVE		ECN NO.		DATE	



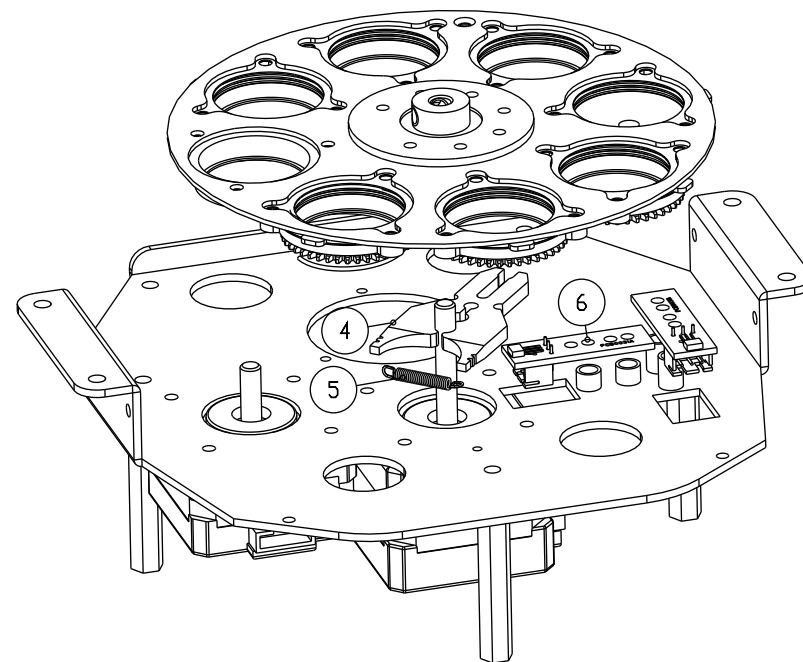
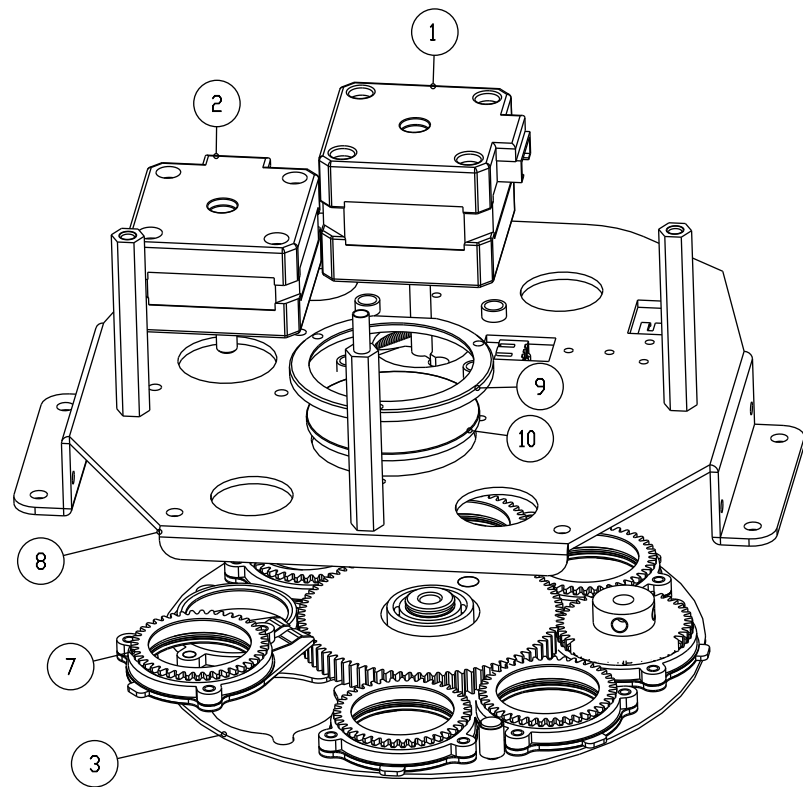
PRODUCT		PHS-210			
PIC. NO.		13-0077-04-01-01			
EDIT		FILE NO.	HY-EXP-773A	PAGE NO.	13/21
CHECK		VERSION	NR	DATE	2010.09.29
APPROVE		ECN NO.		DATE	



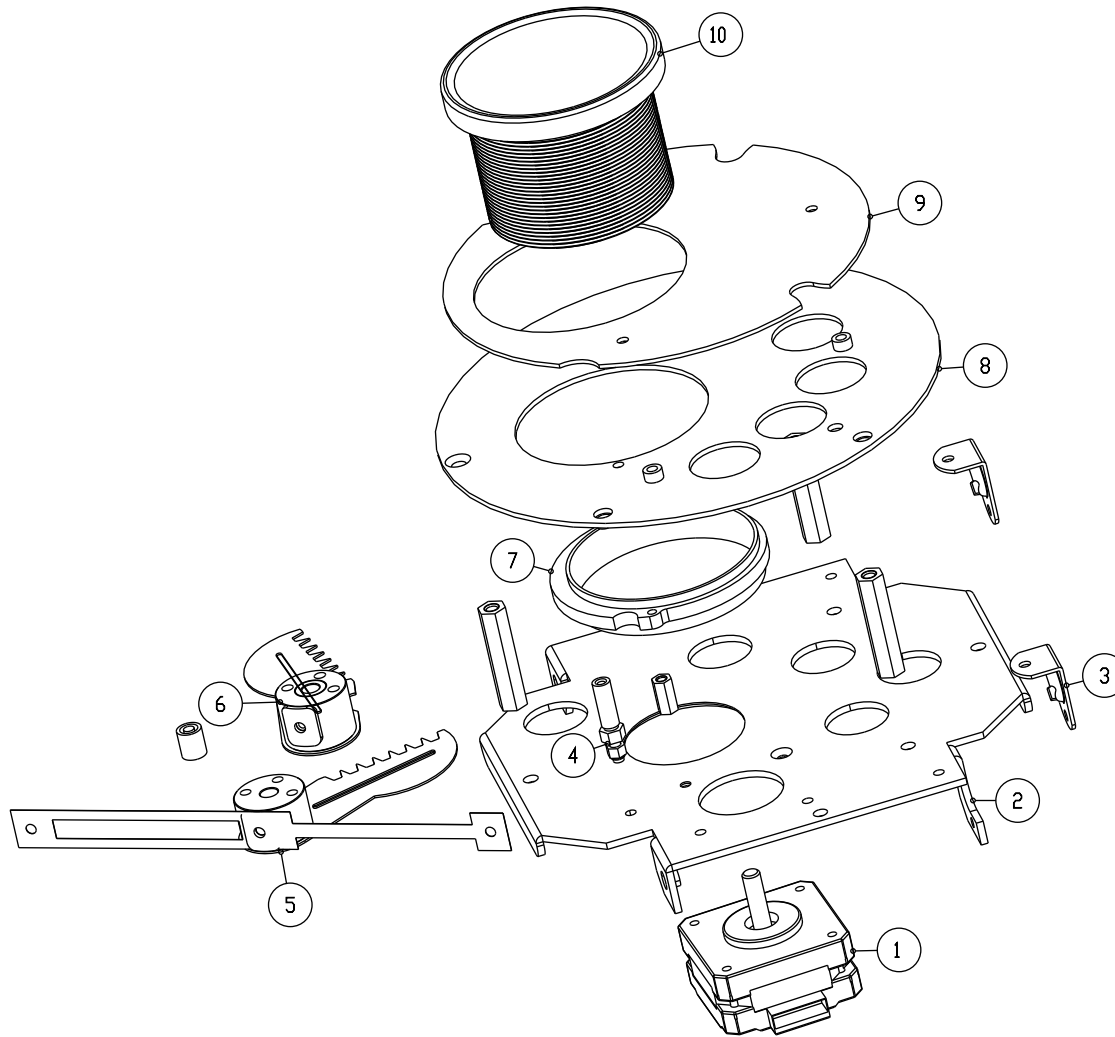
PRODUCT		PHS-210			
PIC. NO.		13-0077-04-01-02			
EDIT		FILE NO.	HY-EXP-773A	PAGE NO.	14/21
CHECK		VERSION	NR	DATE	2010.09.29
APPROVE		ECN NO.		DATE	



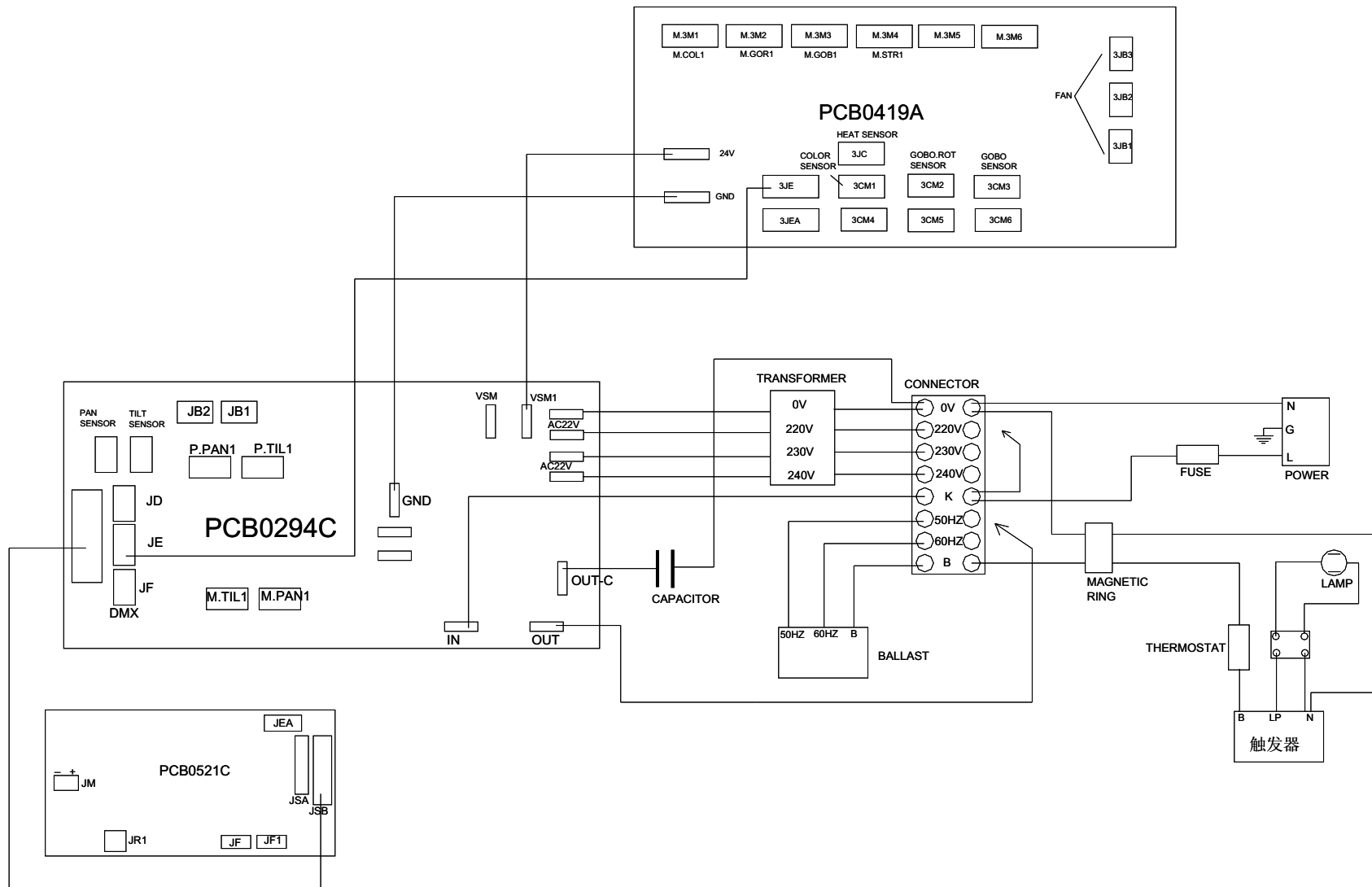
PRODUCT		PHS-210			
PIC. NO.		13-0077-04-02-00			
EDIT		FILE NO.	HY-EXP-773A	PAGE NO.	15/21
CHECK		VERSION	NR	DATE	2010.09.29
APPROVE		ECN NO.		DATE	



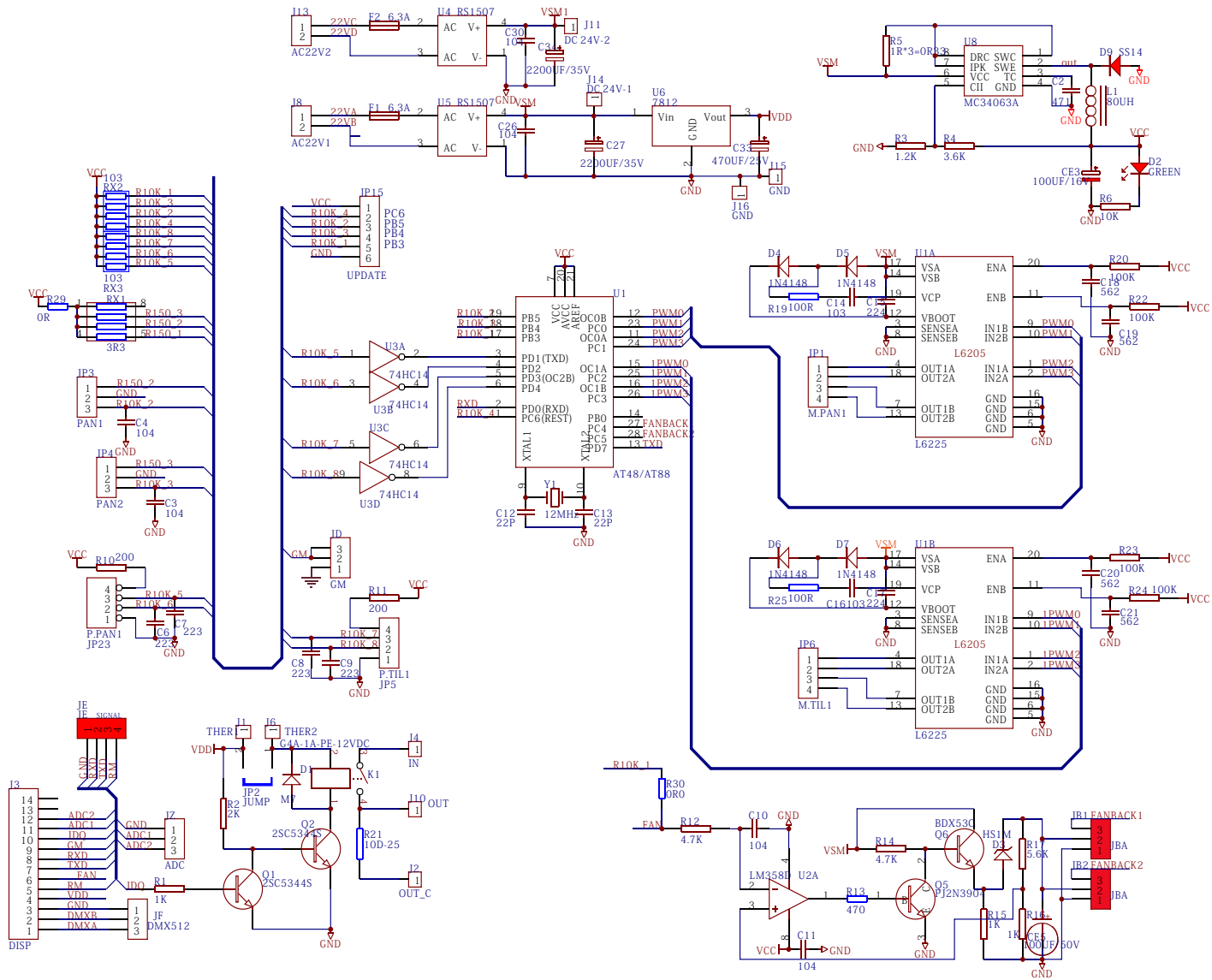
PRODUCT		PHS-210			
PIC. NO.		13-0077-04-03-00			
EDIT		FILE NO.	HY-EXP-773A	PAGE NO.	16/21
CHECK		VERSION	NR	DATE	2010.09.29
APPROVE		ECN NO.		DATE	



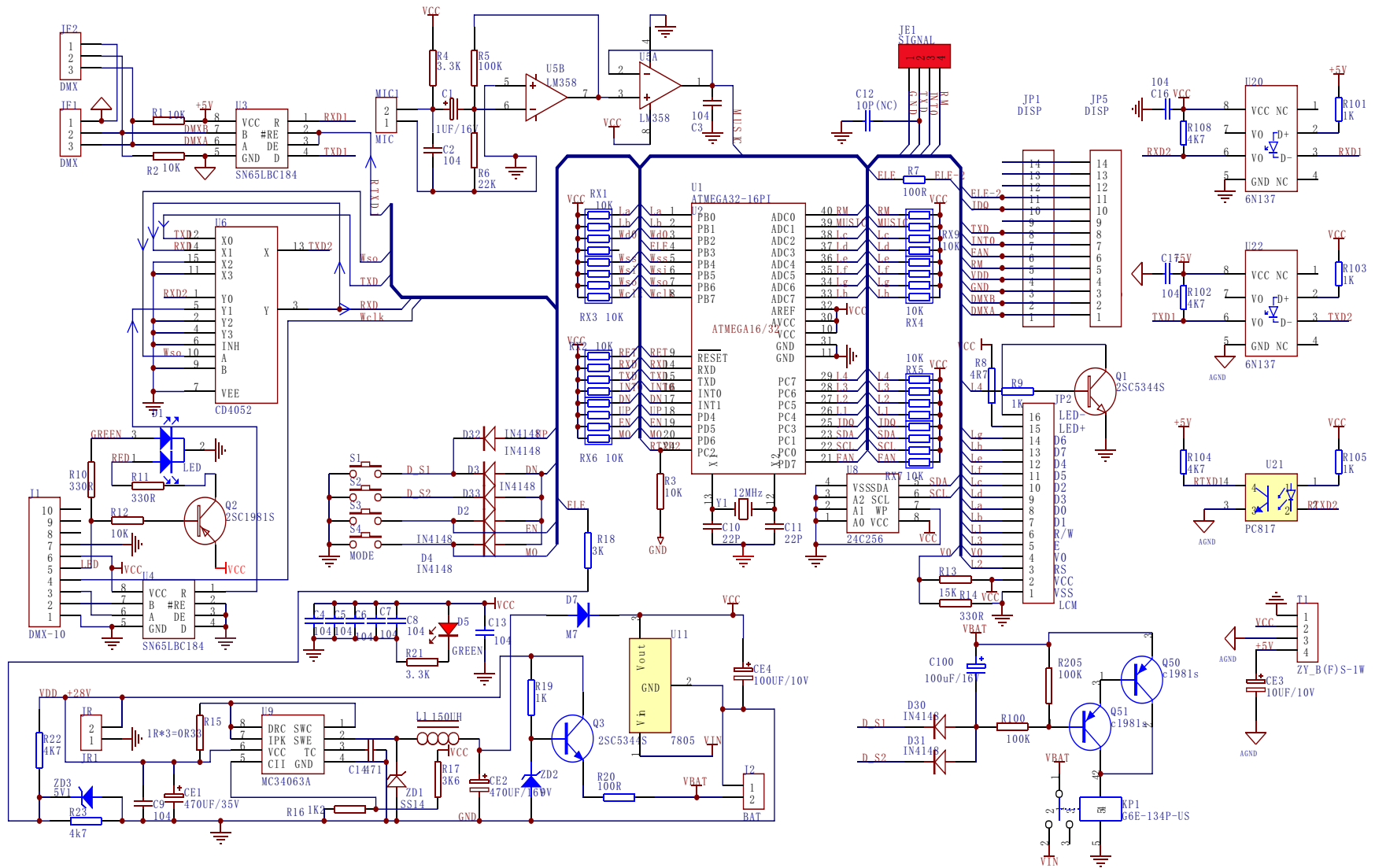
PRODUCT		PHS-210			
PIC. NO.		13-0077-04-04-00			
EDIT		FILE NO.	HY-EXP-773A	PAGE NO.	17/21
CHECK		VERSION	NR	DATE	2010.09.29
APPROVE		ECN NO.		DATE	



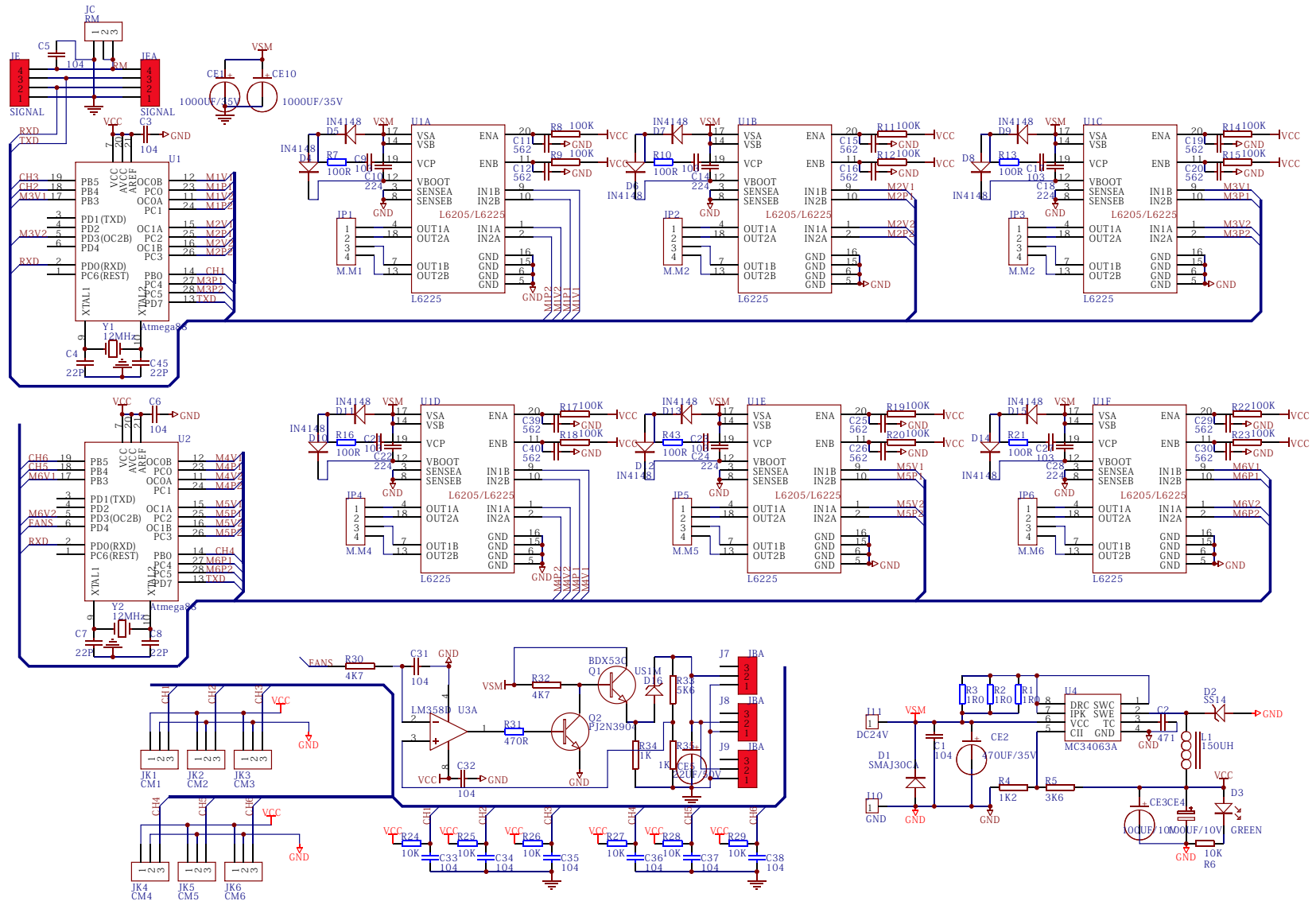
PRODUCT		PHS-210			
PIC. NO.		PHS-210 ELECTRIC			
EDIT		FILE NO.	HY-WIJL-A116	PAGE NO.	18/21
CHECK		VERSION	NR	DATE	2010.09.29
APPROVE		ECN NO.		DATE	



PRODUCT		PHS-210			
PIC. NO.		PCB0294C SCHEME			
EDIT		FILE NO.	HY-WIEC-0514	PAGE NO.	19/21
CHECK		VERSION	NR	DATE	2010.09.29
APPROVE		ECN NO.		DATE	



PRODUCT		PHS-210			
PIC. NO.		PCB0521C SCHEME			
EDIT		FILE NO.	HY-WIEC-0682	PAGE NO.	20/21
CHECK		VERSION	NR	DATE	2010.09.29
APPROVE		ECN NO.		DATE	



PRODUCT		PHS-210			
PIC. NO.		PCB0419A SCHEME			
EDIT		FILE NO.	HY-WIEC-0531	PAGE NO.	21/21
CHECK		VERSION	NR	DATE	2010.09.29
APPROVE		ECN NO.		DATE	