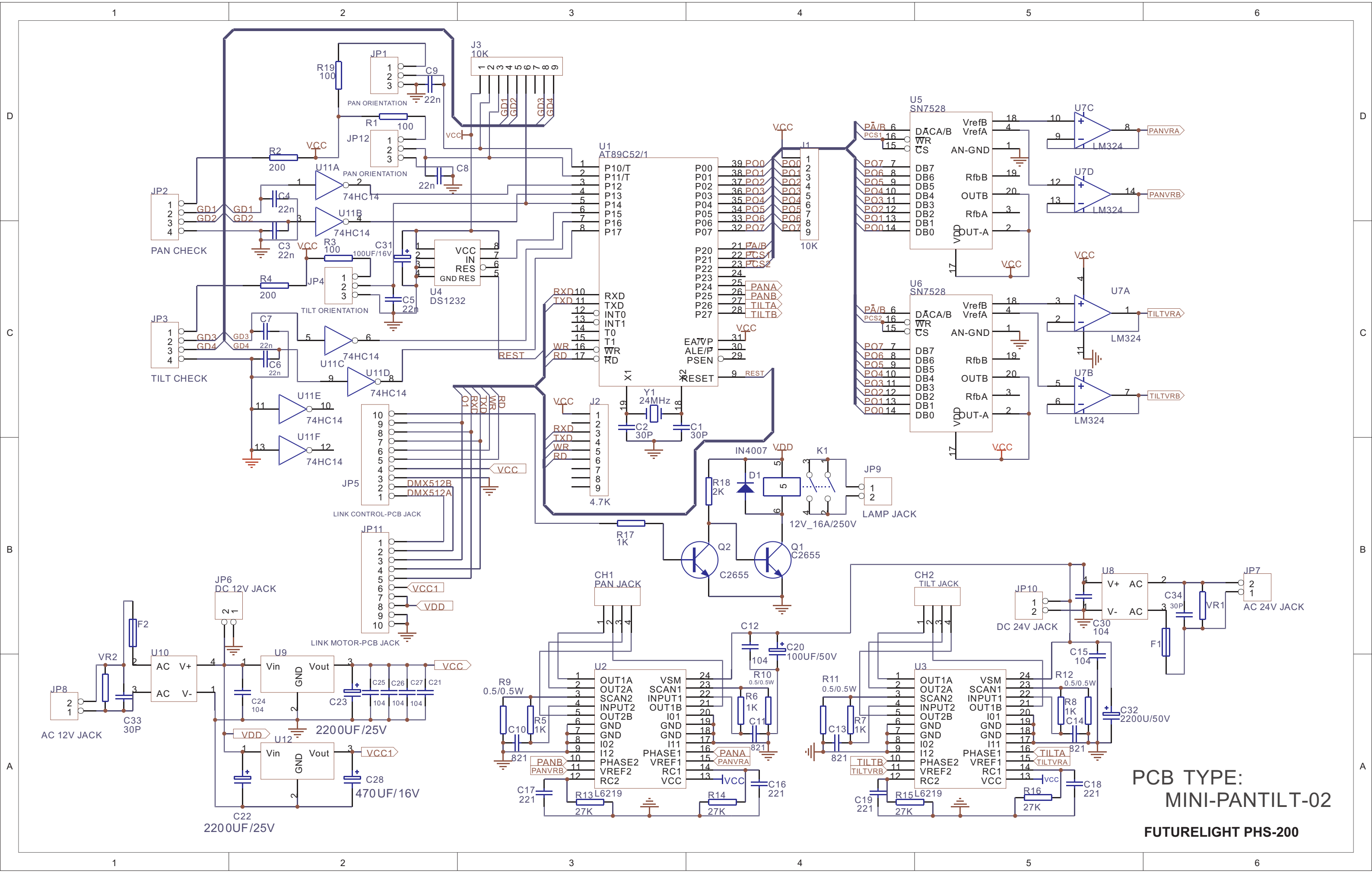


**Futurelight<sup>®</sup>**

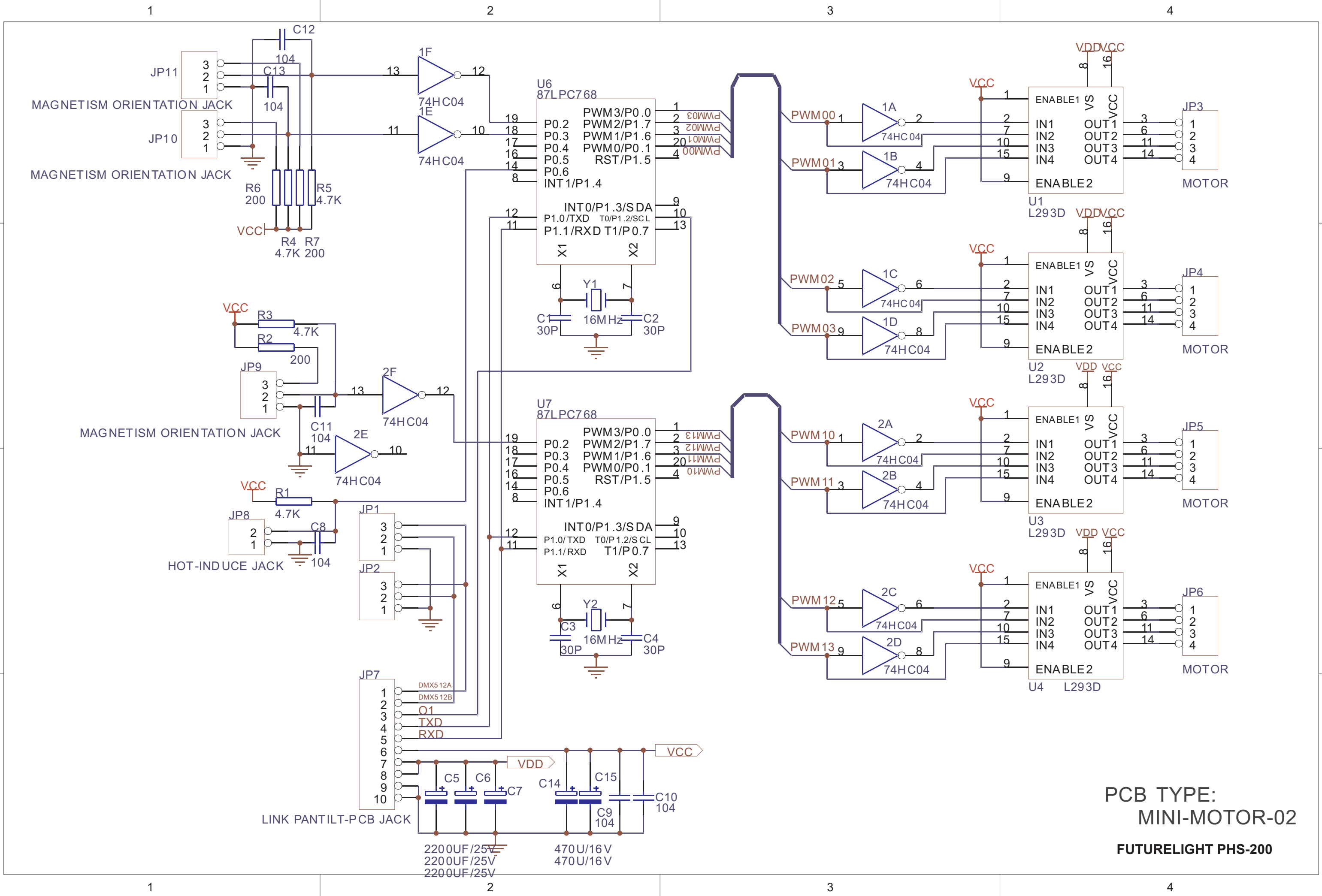
**PHS-200**  
**Pro-Head-Spot**

**Service-Dokumente**  
**Service-documents**  
**Documents de service**  
**Documentos de servicio**

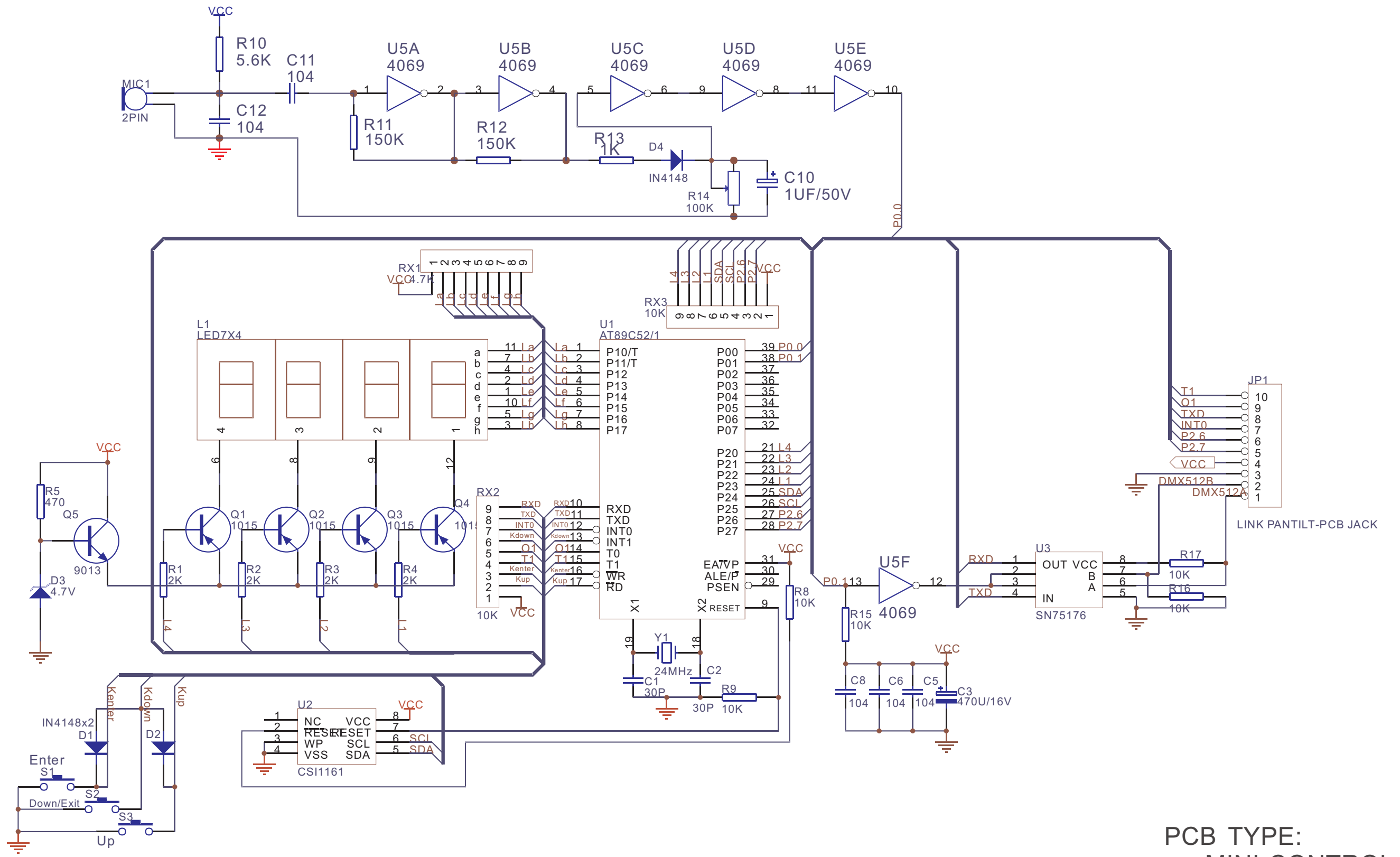
**Version 1.0**



PCB TYPE:  
 MINI-PANTILT-02  
 FUTURELIGHT PHS-200

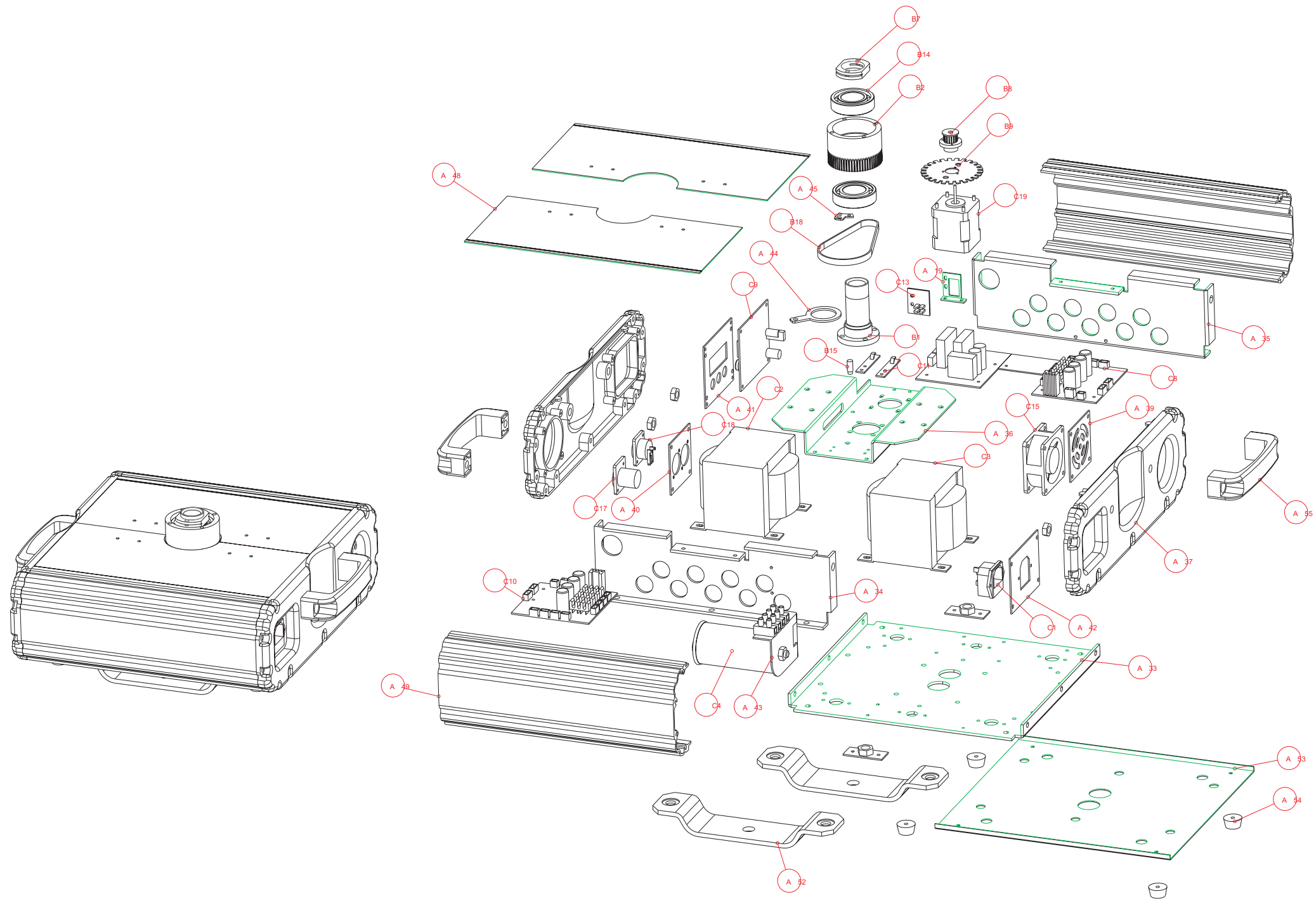


PCB TYPE:  
**MINI-MOTOR-02**  
**FUTURELIGHT PHS-200**

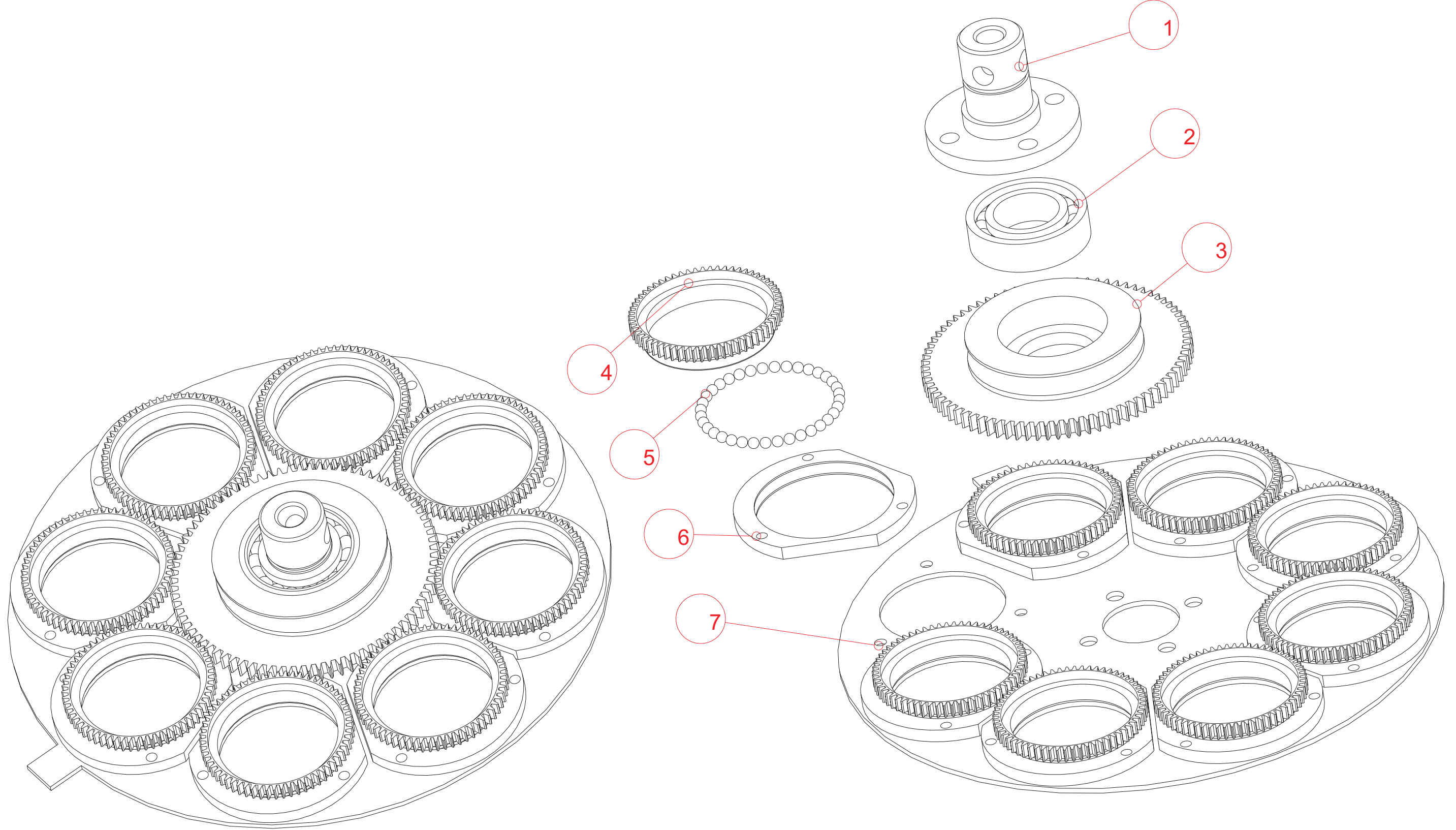


PCB TYPE:  
MINI-CONTROL-02

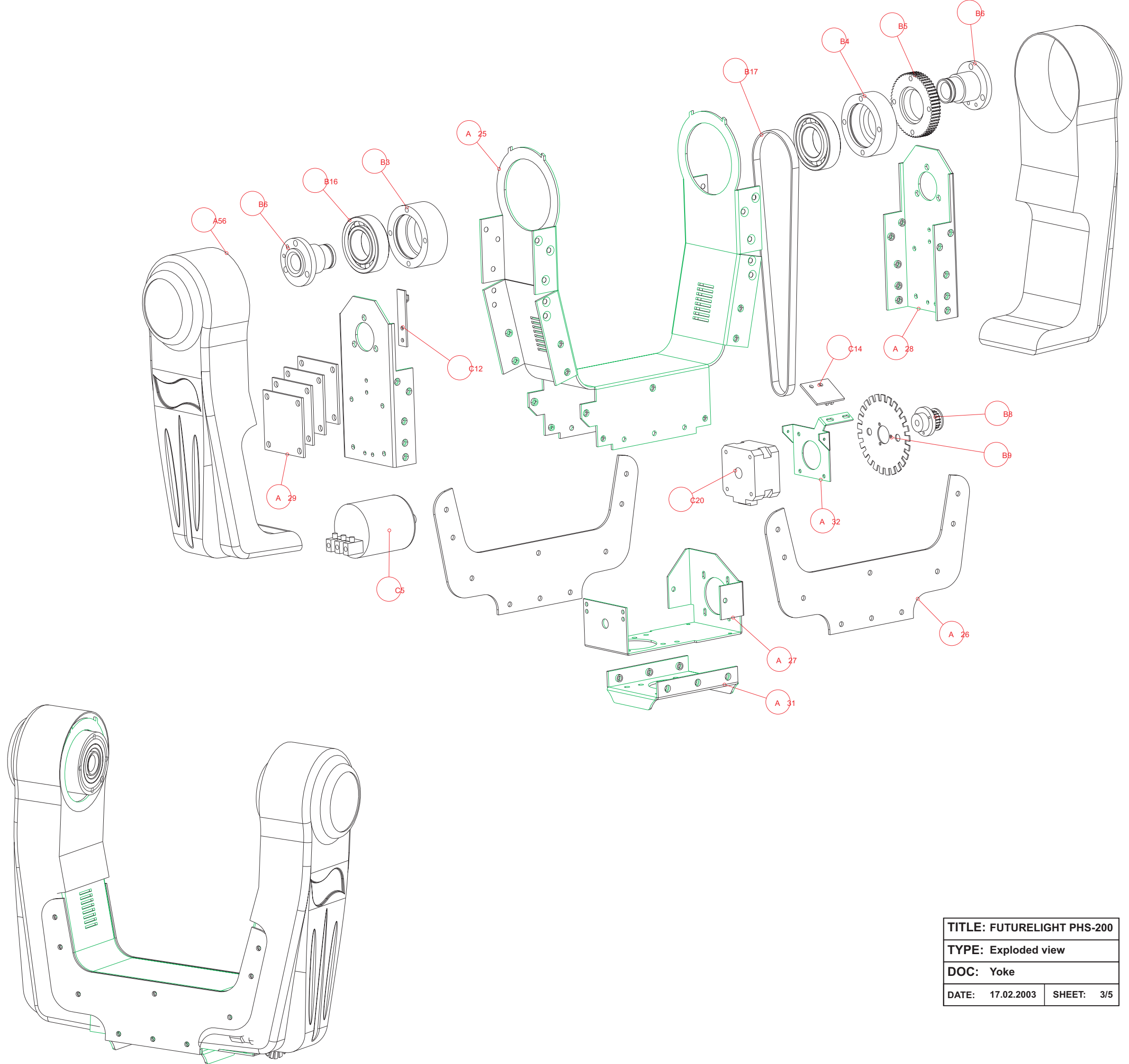
FUTURELIGHT PHS-200



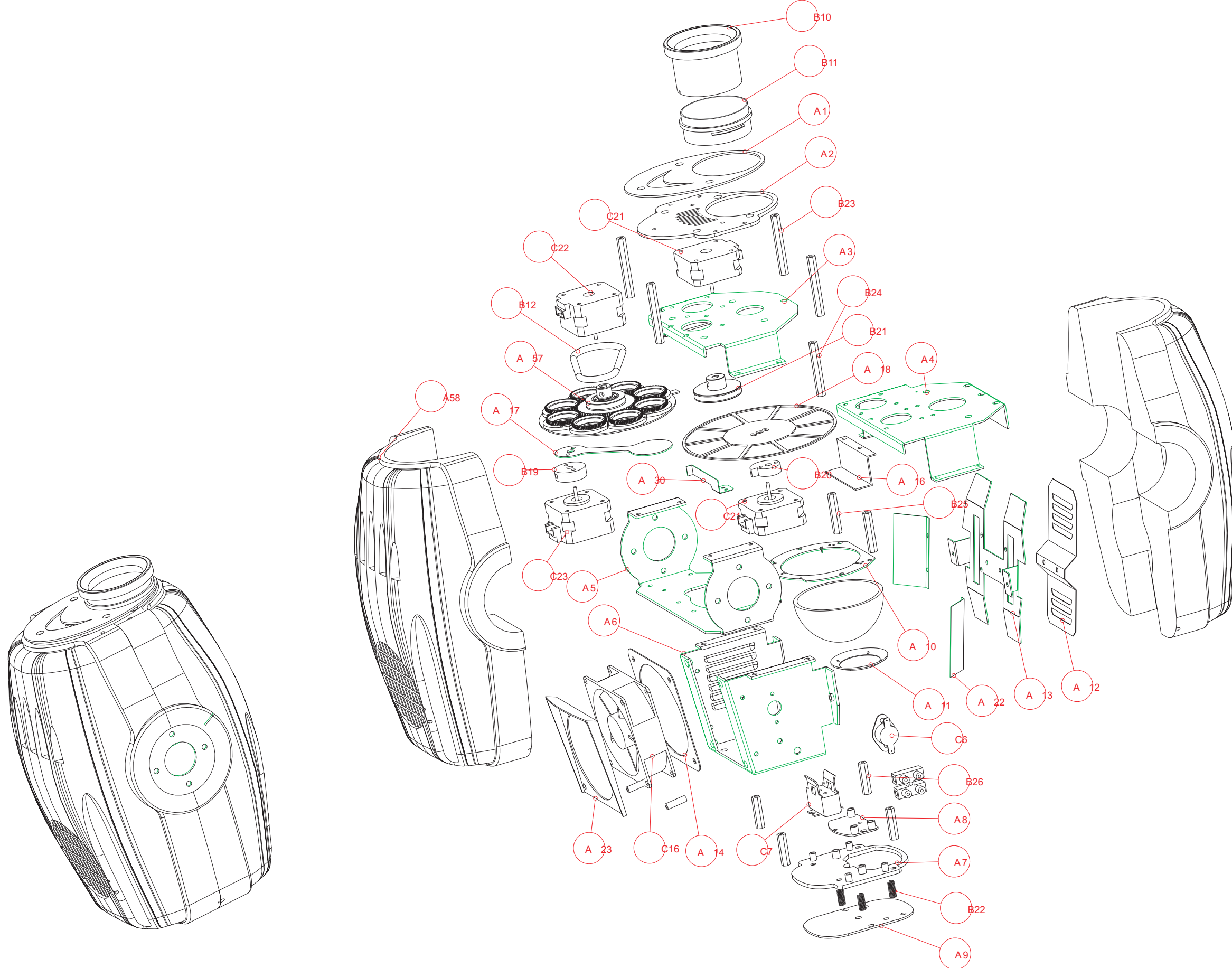
<b>TITLE: FUTURELIGHT PHS-200</b>	
<b>TYPE: Exploded view</b>	
<b>DOC: Base</b>	
<b>DATE: 17.02.2003</b>	<b>SHEET: 1/5</b>



<b>TITLE:</b> FUTURELIGHT PHS-200	
<b>TYPE:</b> Exploded view	
<b>DOC:</b> Rotating gobo-wheel	
<b>DATE:</b> 17.02.2003	<b>SHEET:</b> 2/5

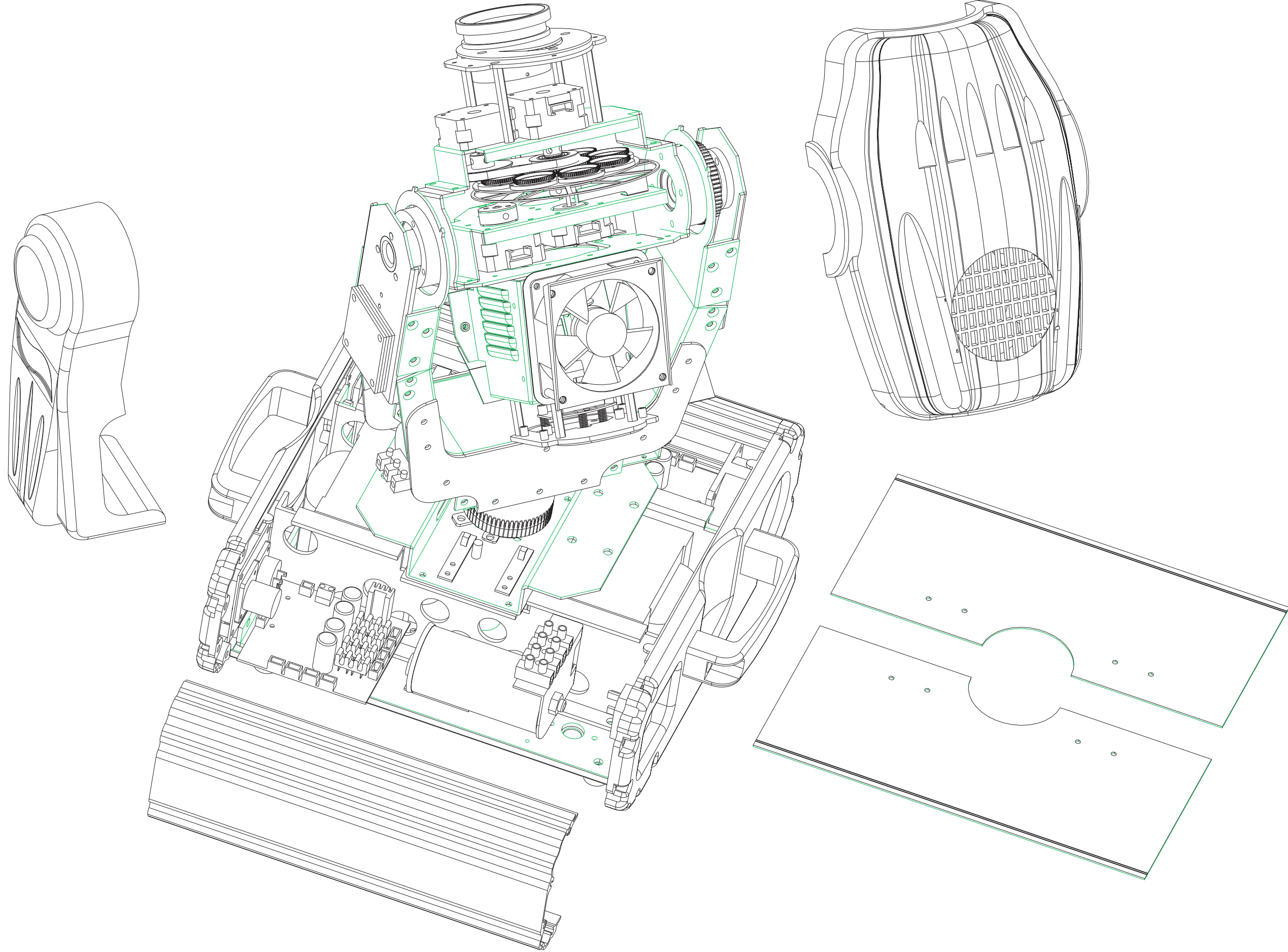


<b>TITLE: FUTURELIGHT PHS-200</b>	
<b>TYPE: Exploded view</b>	
<b>DOC: Yoke</b>	
<b>DATE: 17.02.2003</b>	<b>SHEET: 3/5</b>



<b>TITLE: FUTURELIGHT PHS-200</b>	
<b>TYPE: Exploded view</b>	
<b>DOC: Effect-unit</b>	
<b>DATE: 17.02.2003</b>	<b>SHEET: 4/5</b>





**TITLE:** FUTURELIGHT PHS-200

**TYPE:** Exploded view

**DOC:** Projector-head

**DATE:** 17.02.2003

**SHEET:** 5/5