

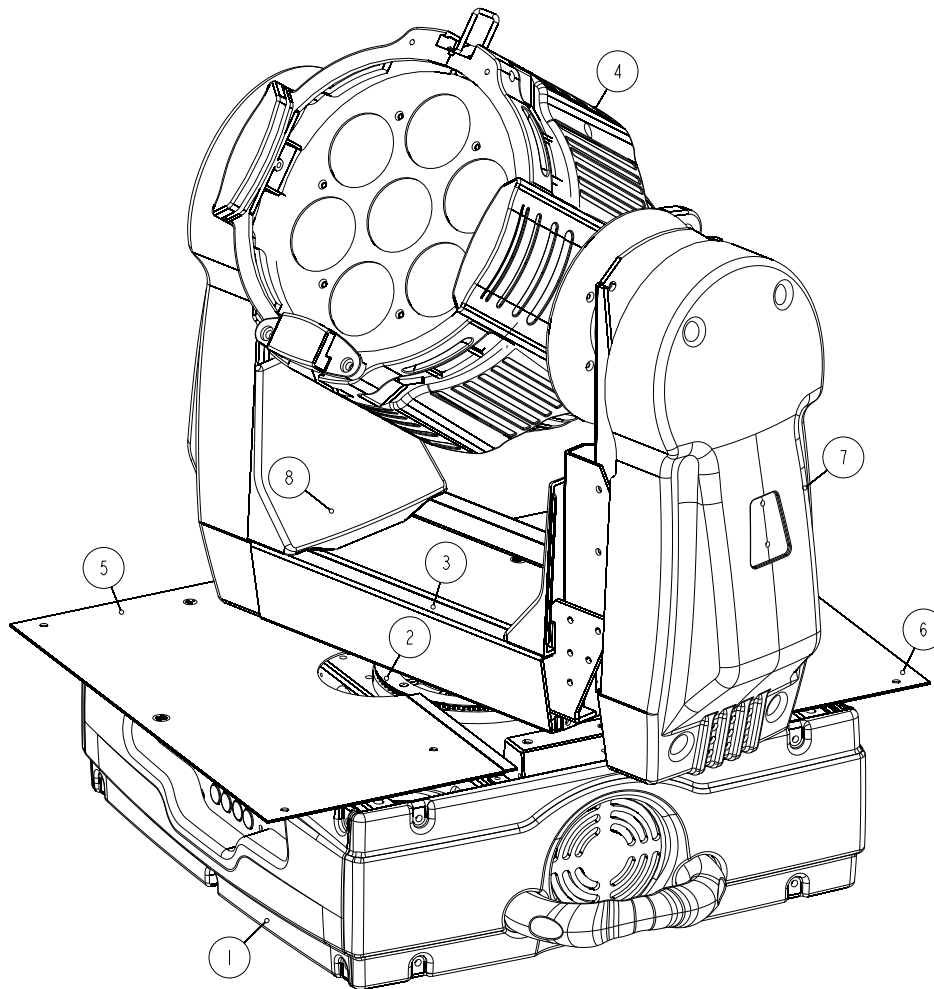
Service manual

PHP-21 TCL

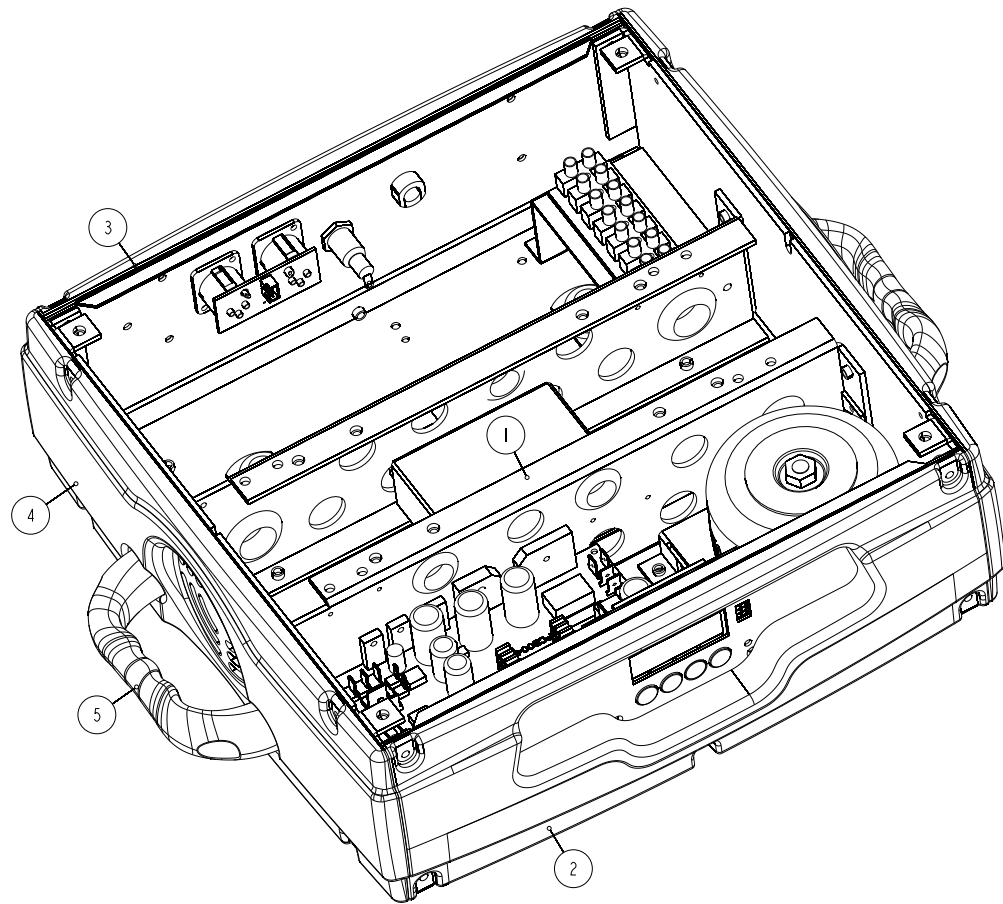
- ※ **Exploded Diagrams**
- ※ **Circuit Diagrams**
- ※ **Wiring Diagrams**
- ※ **Parts List**



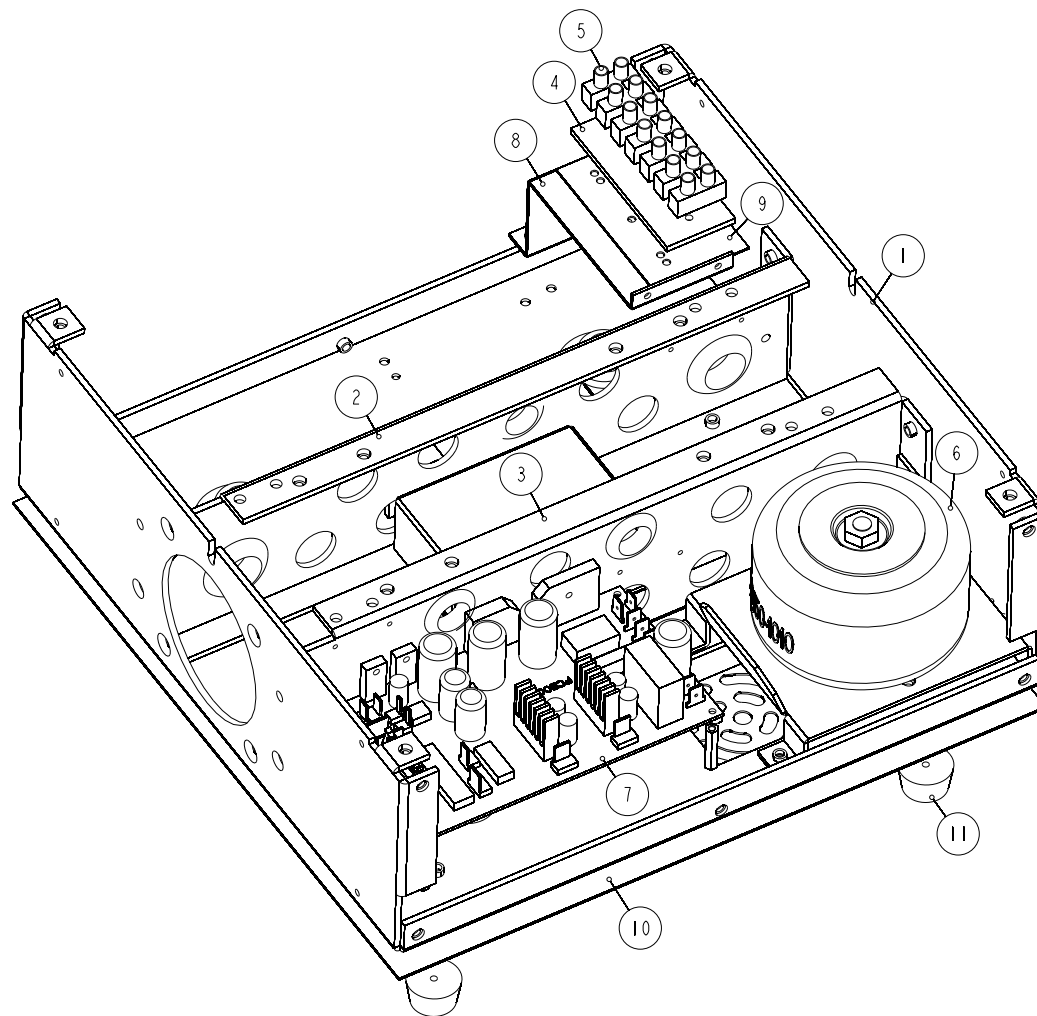
PRODUCT		FUTURELIGHT PHP-21 TCL		
PIC. NO.		Front Page		
EDIT		FILE NO.		
CHECK		ORDER NO.		
APPROVE		VERSION	NR	SOFTWARE VER. V1. 0



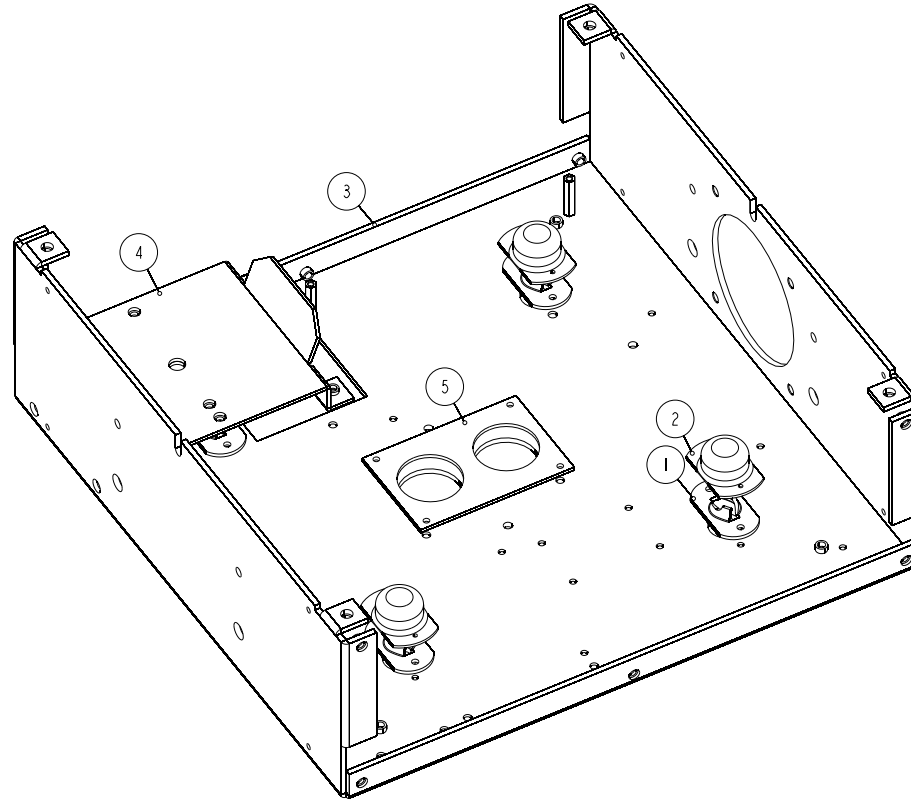
PRODUCT		FUTURELIGHT PHP-21 TCL			
PIC. NO.		13-0057-00-00-00			
EDIT		FILE NO.		PAGE NO.	1/21
CHECK		VERSION	NR	DATE	2008.06.13
APPROVE		ECN NO.		DATE	



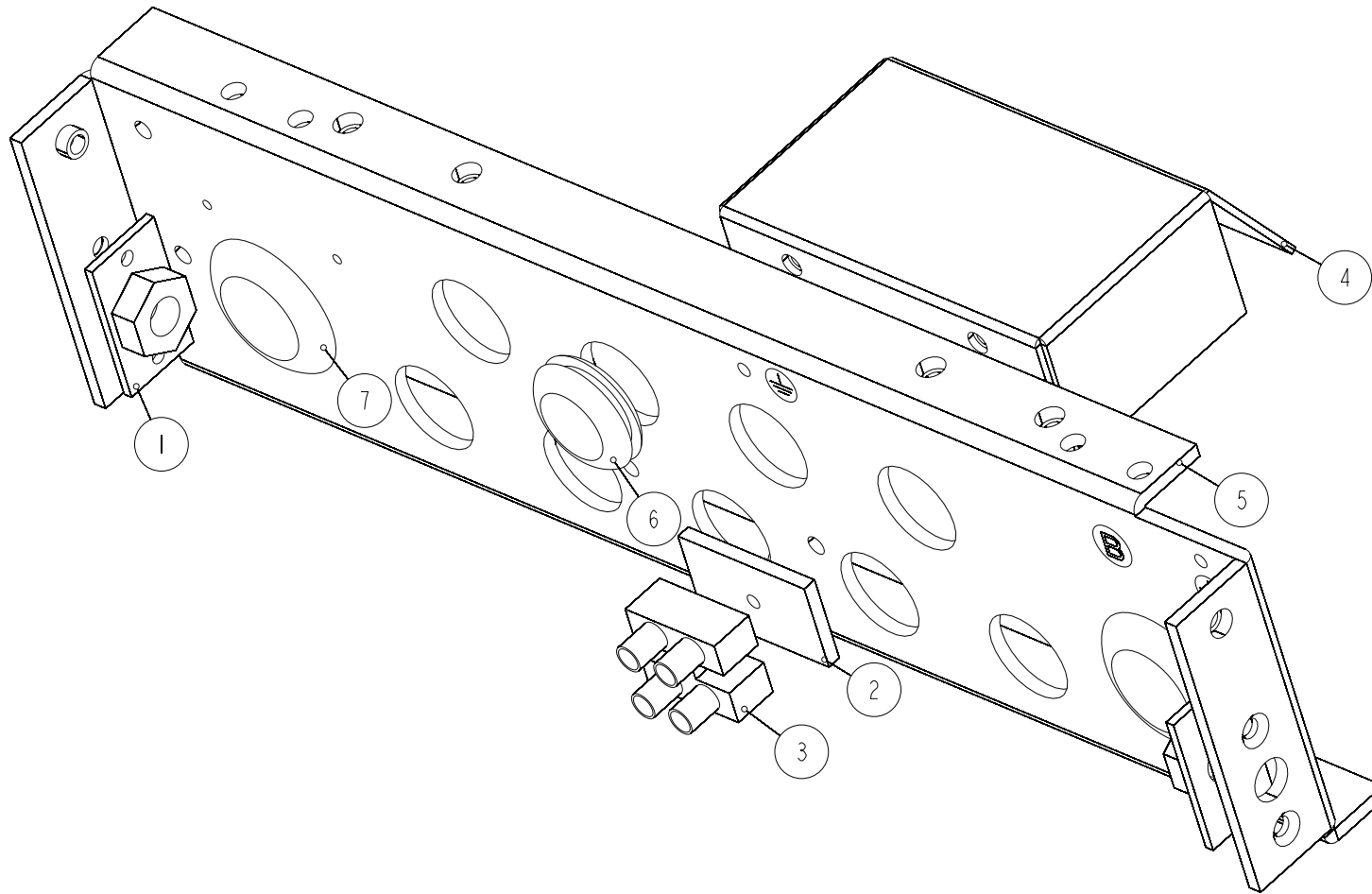
PRODUCT		FUTURELIGHT PHP-21 TCL			
PIC. NO.		13-0057-01-00-00			
EDIT		FILE NO.		PAGE NO.	2/21
CHECK		VERSION	NR	DATE	2008.06.13
APPROVE		ECN NO.		DATE	



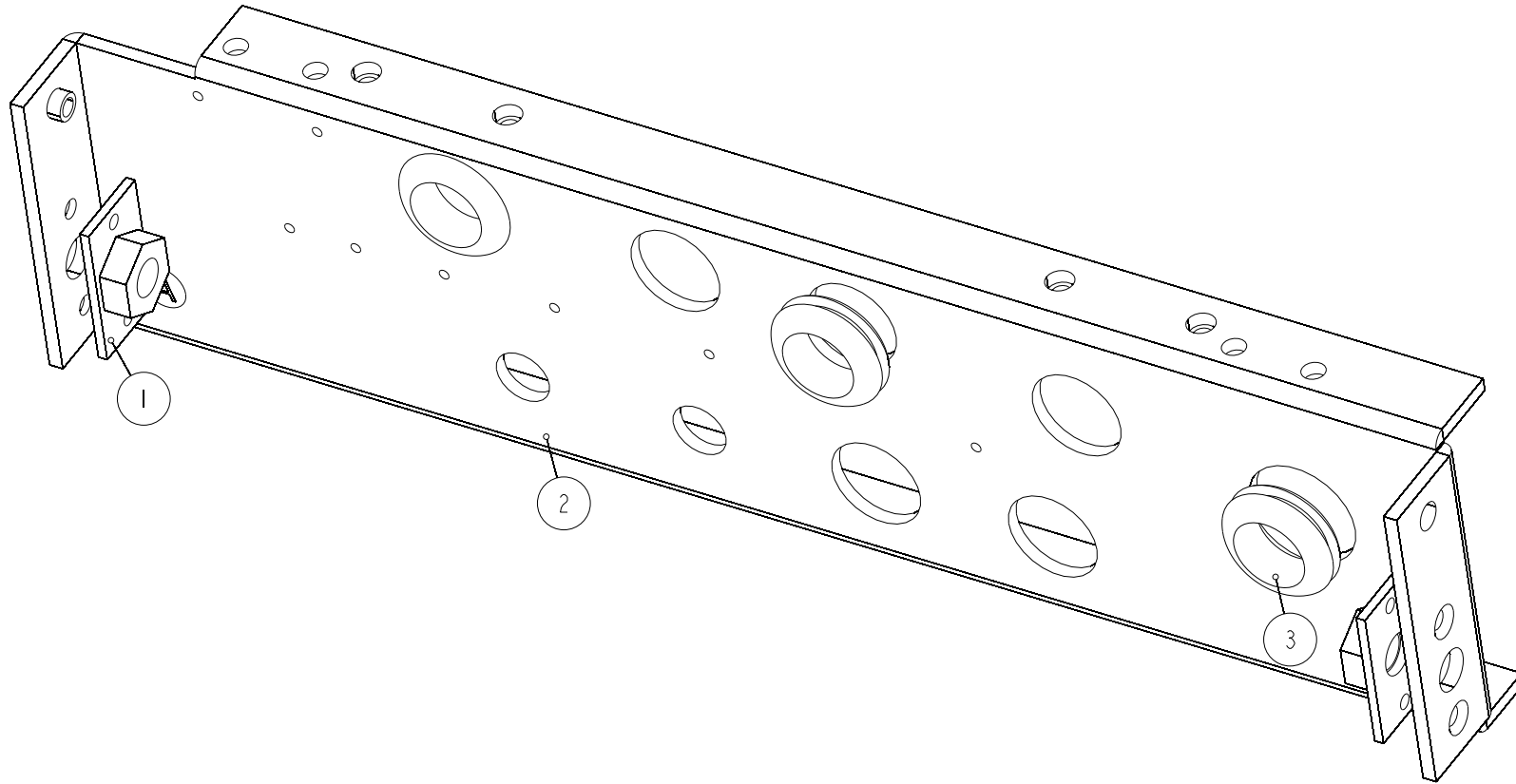
PRODUCT		FUTURELIGHT PHP-21 TCL			
PIC. NO.		13-0057-01-01-00			
EDIT		FILE NO.		PAGE NO.	3/21
CHECK		VERSION	NR	DATE	2008.06.13
APPROVE		ECN NO.		DATE	



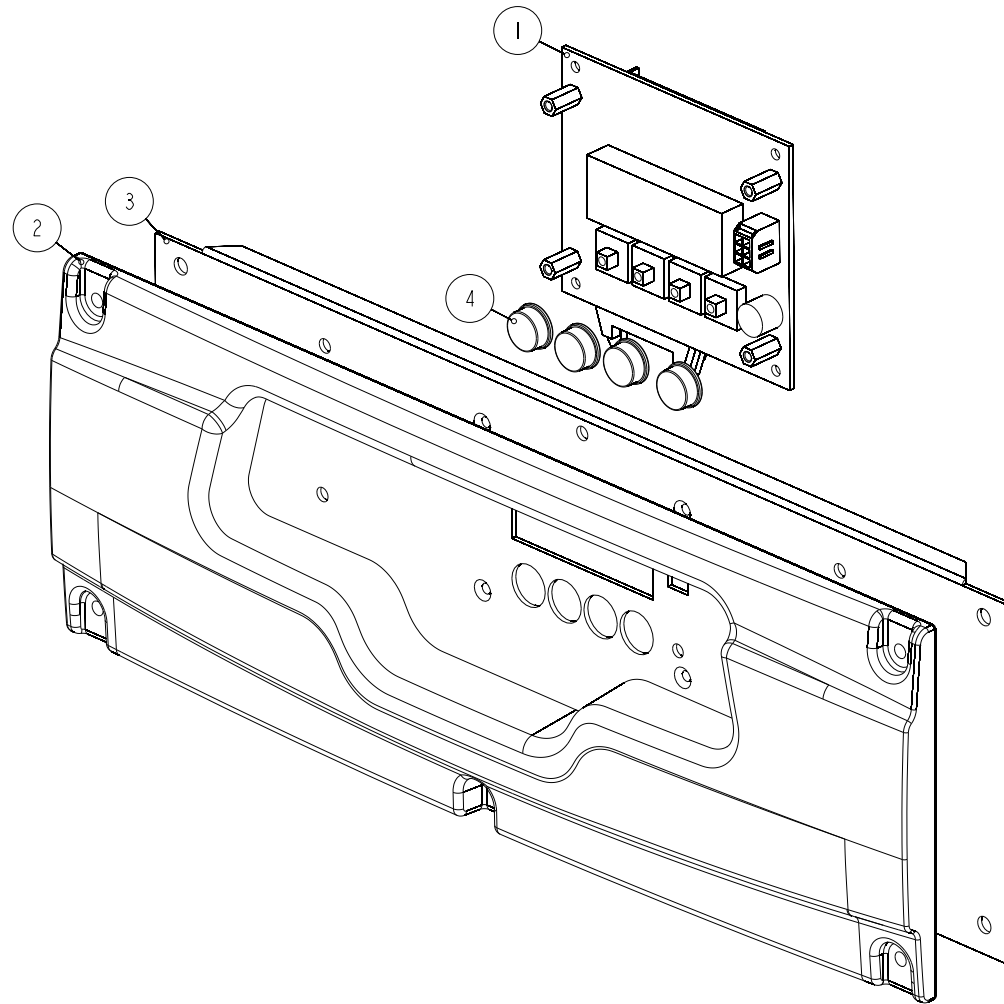
PRODUCT		FUTURELIGHT PHP-21 TCL			
PIC. NO.		10-0026-01-01-01			
EDIT		FILE NO.		PAGE NO.	4/21
CHECK		VERSION	NR	DATE	2008.06.13
APPROVE		ECN NO.		DATE	



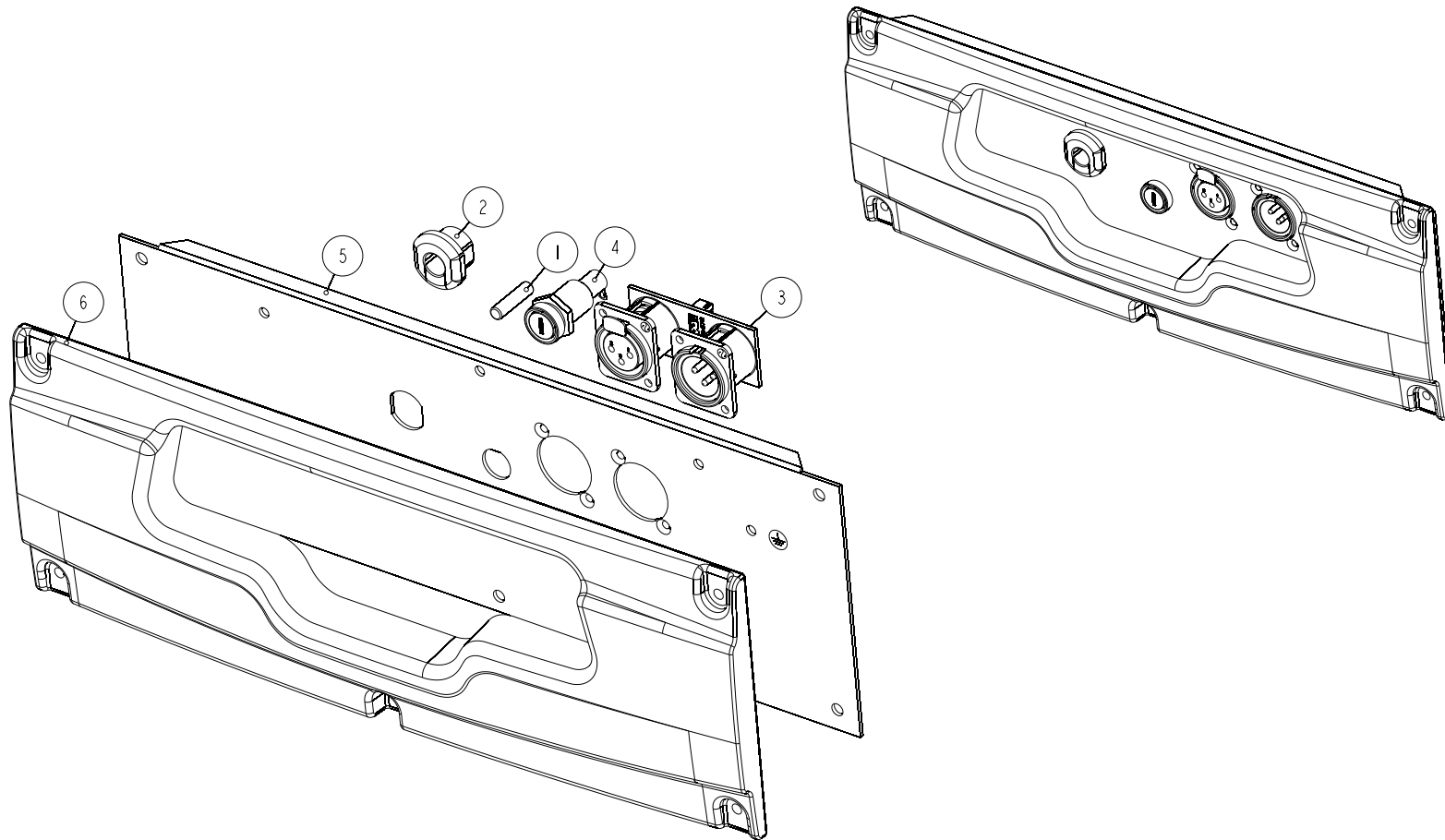
PRODUCT		FUTURELIGHT PHP-21 TCL			
PIC. NO.		13-0057-01-01-02			
EDIT		FILE NO.		PAGE NO.	5/21
CHECK		VERSION	NR	DATE	2008.06.13
APPROVE		ECN NO.		DATE	



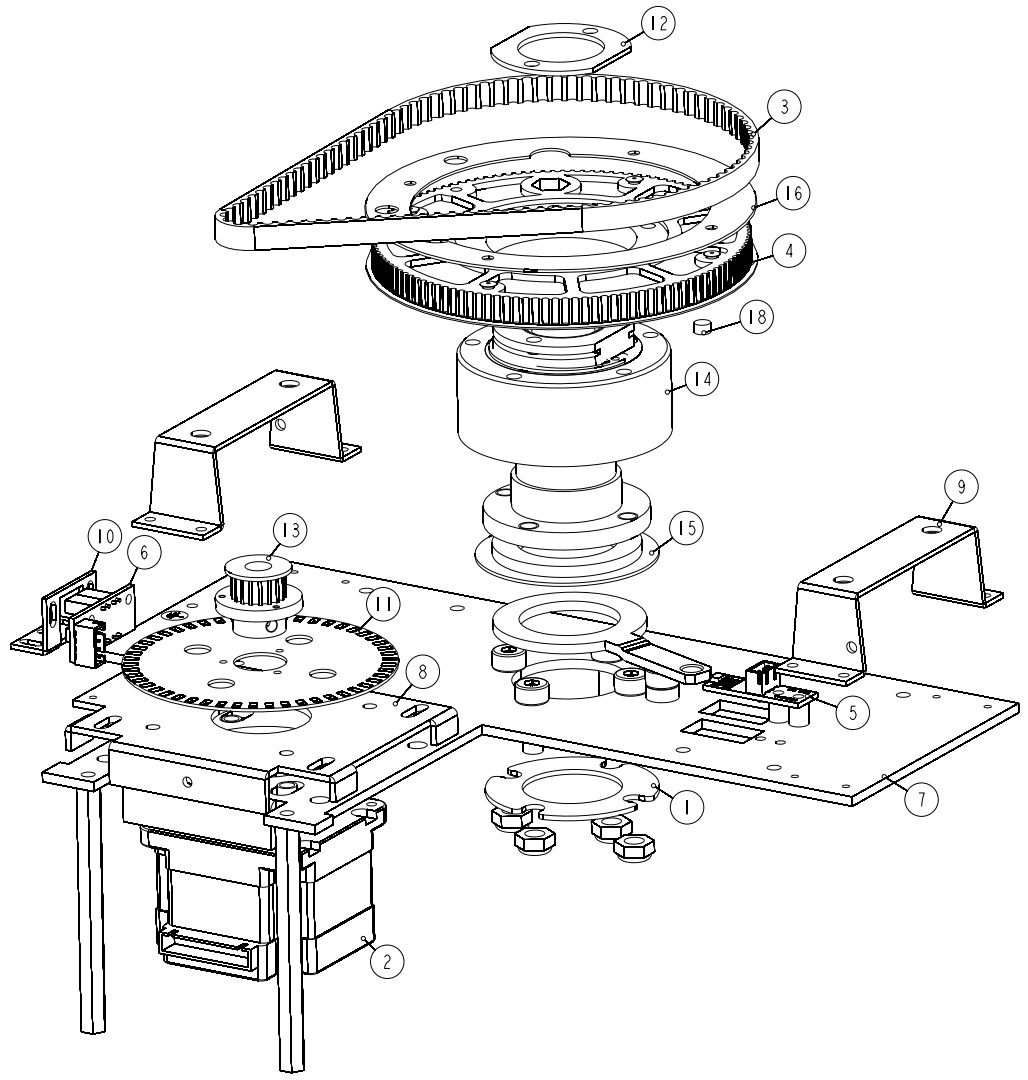
PRODUCT		FUTURELIGHT PHP-21 TCL			
PIC. NO.		10-0026-01-01-03			
EDIT		FILE NO.		PAGE NO.	6/21
CHECK		VERSION	NR	DATE	2008.06.13
APPROVE		ECN NO.		DATE	



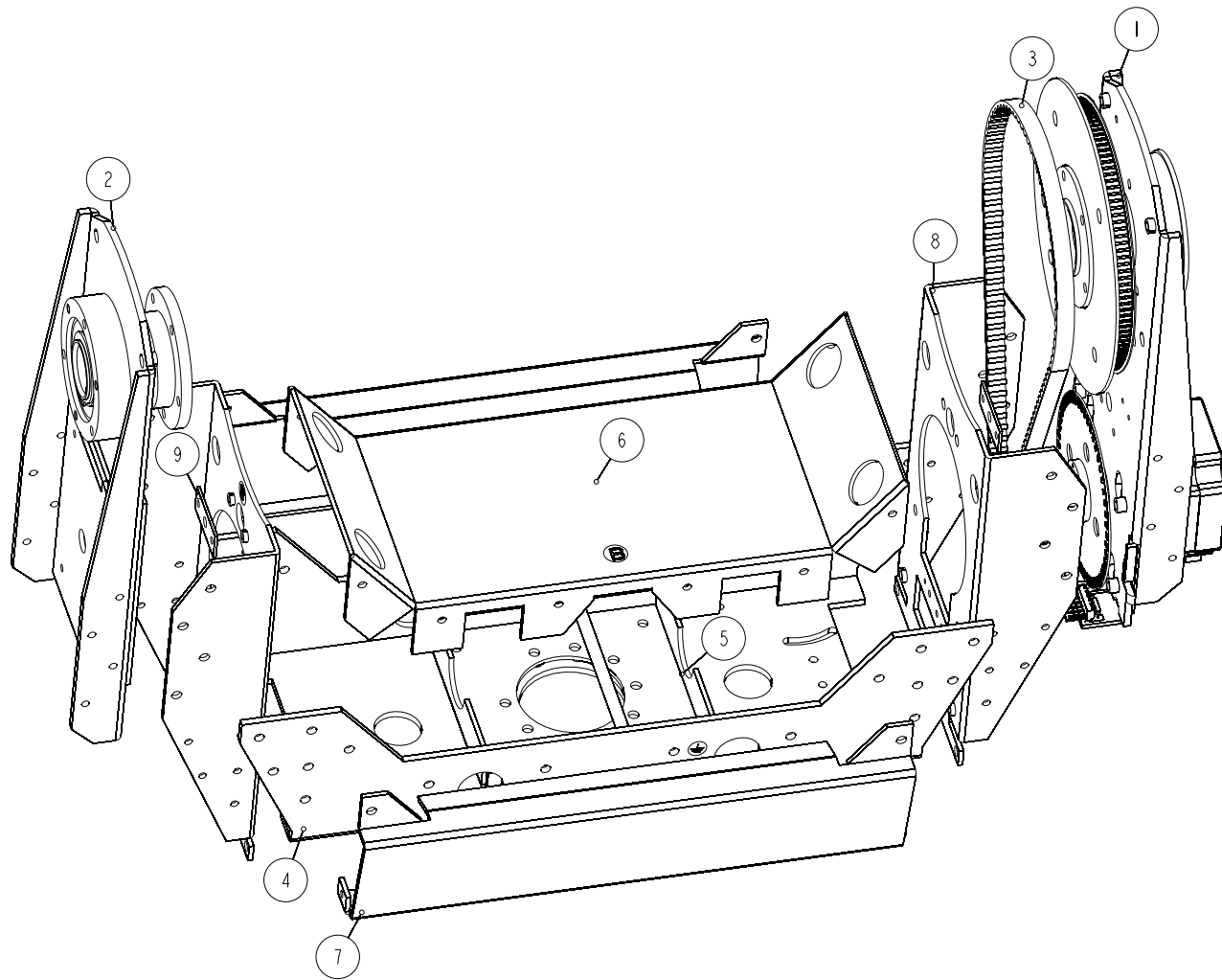
PRODUCT		FUTURELIGHT PHP-21 TCL			
PIC. NO.		10-0010-01-02-00			
EDIT		FILE NO.		PAGE NO.	7/21
CHECK		VERSION	NR	DATE	2008.06.13
APPROVE		ECN NO.		DATE	



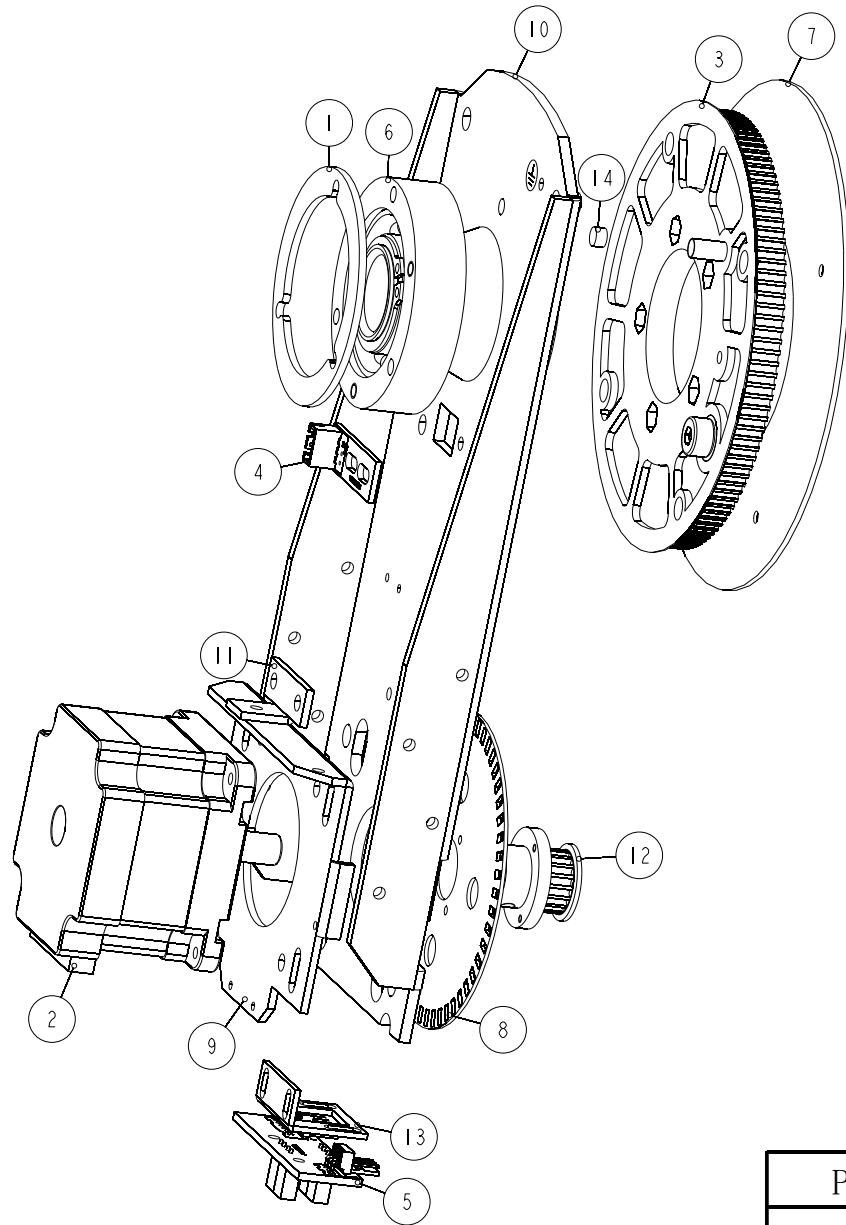
PRODUCT		FUTURELIGHT PHP-21 TCL			
PIC. NO.		13-0057-01-03-00			
EDIT		FILE NO.		PAGE NO.	8/21
CHECK		VERSION	NR	DATE	2008.06.13
APPROVE		ECN NO.		DATE	



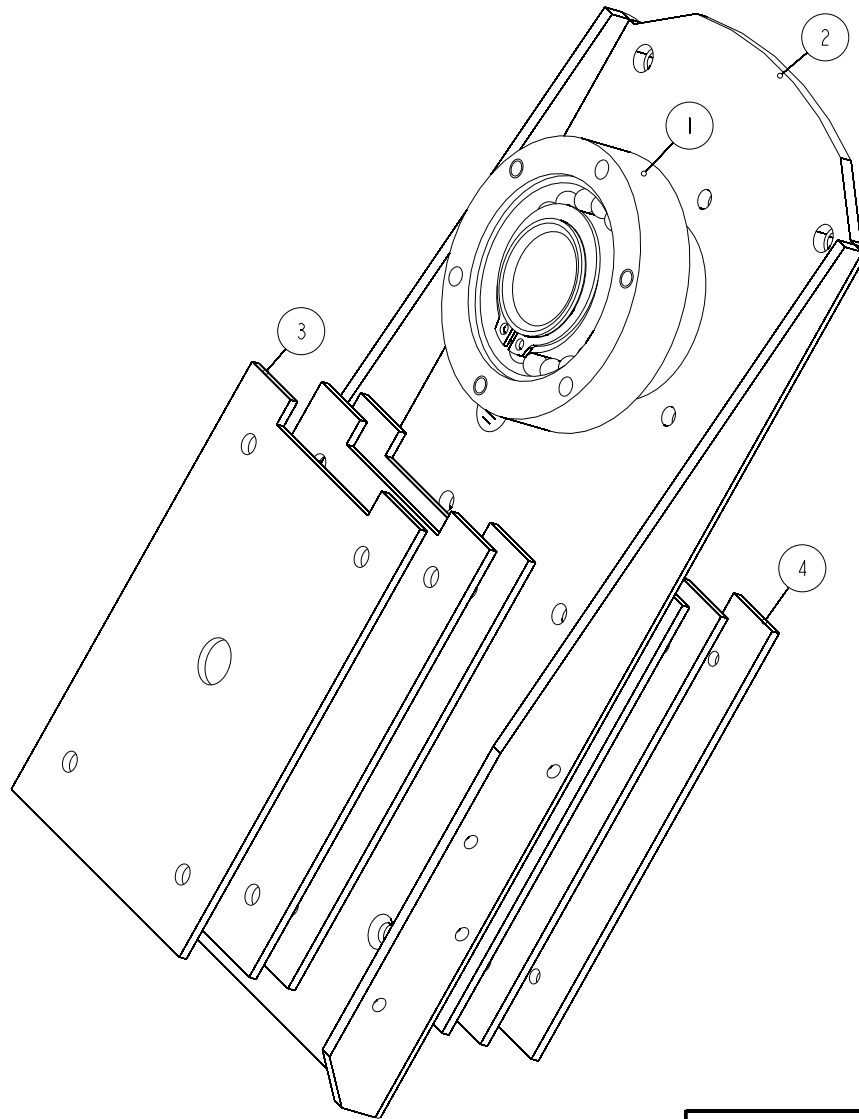
PRODUCT		FUTURELIGHT PHP-21 TCL			
PIC. NO.		13-0057-02-00-00			
EDIT		FILE NO.		PAGE NO.	9/21
CHECK		VERSION	NR	DATE	2008.06.13
APPROVE		ECN NO.		DATE	



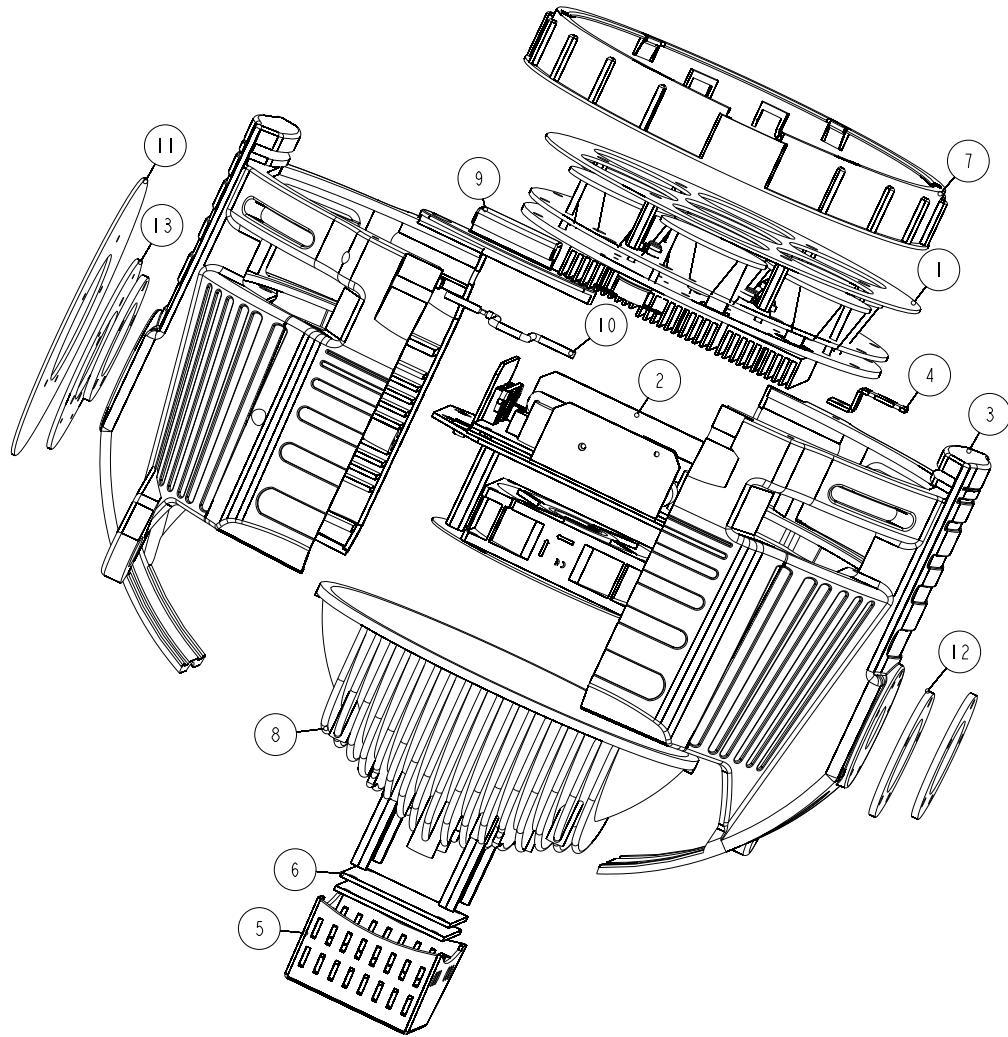
PRODUCT		FUTURELIGHT PHP-21 TCL			
PIC. NO.		13-0057-03-00-00			
EDIT		FILE NO.		PAGE NO.	10/21
CHECK		VERSION	NR	DATE	2008.06.13
APPROVE		ECN NO.		DATE	



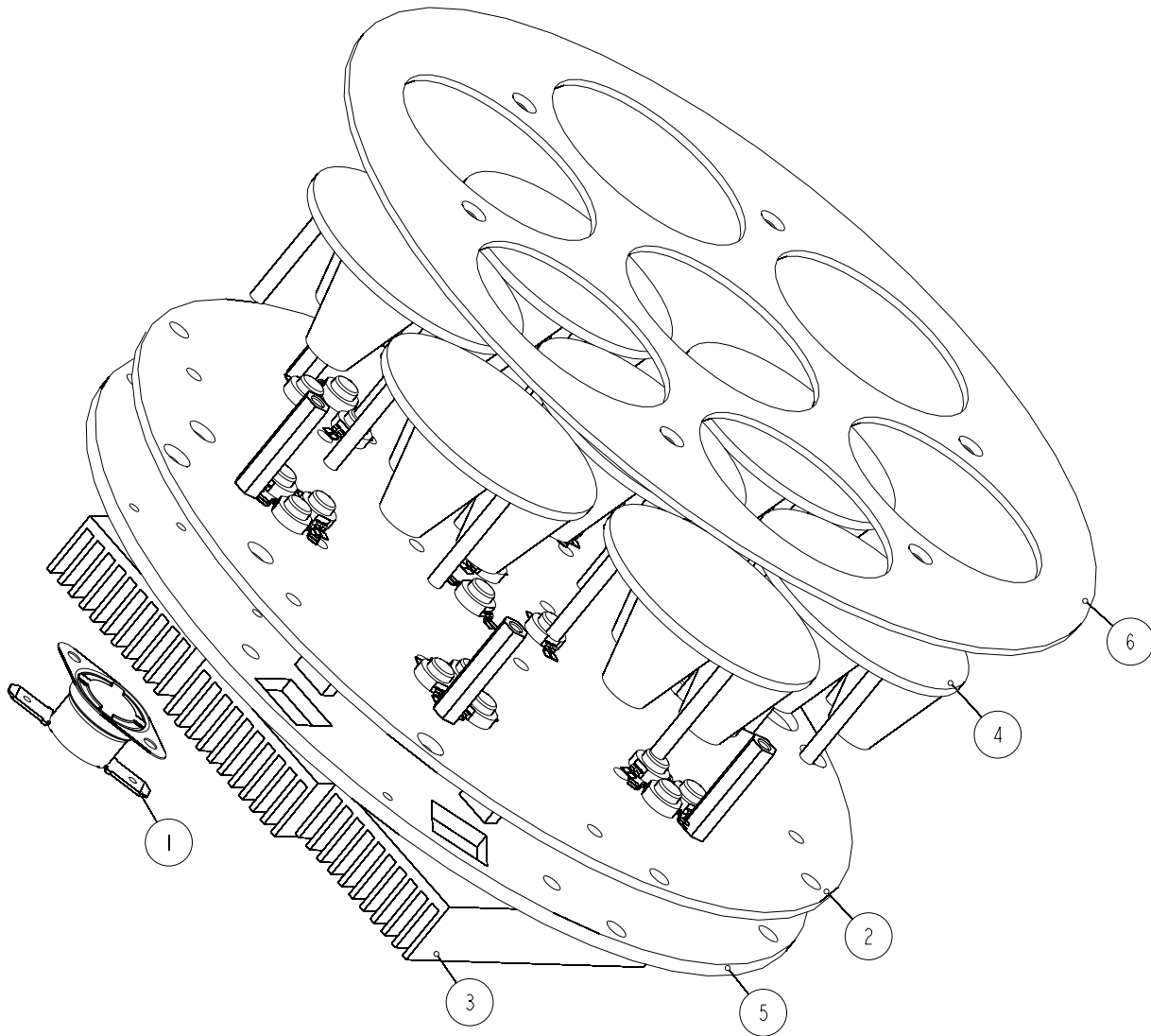
PRODUCT		FUTURELIGHT PHP-21 TCL			
PIC. NO.		13-0057-03-01-00			
EDIT		FILE NO.		PAGE NO.	11/21
CHECK		VERSION	NR	DATE	2008.06.13
APPROVE		ECN NO.		DATE	



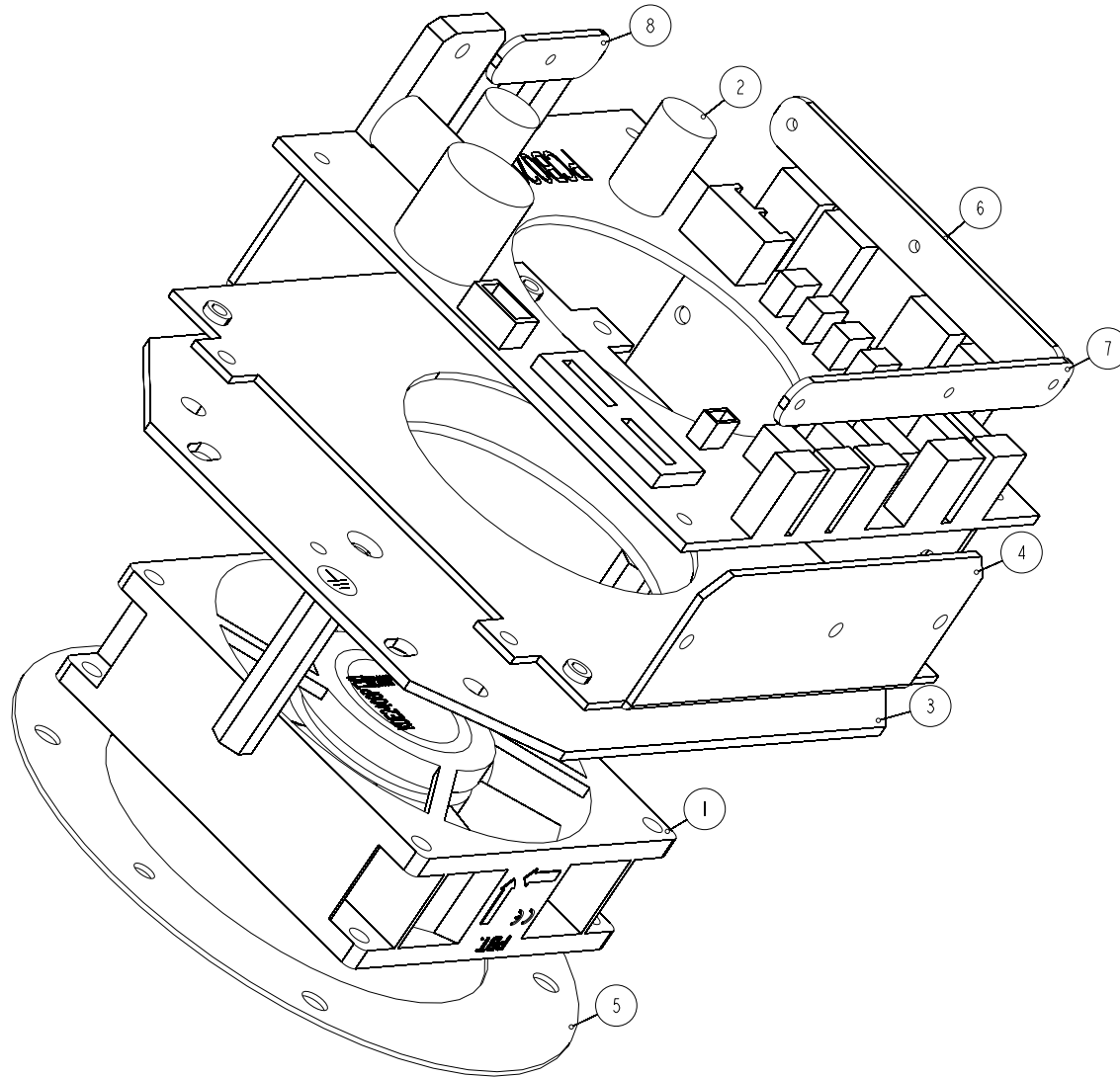
PRODUCT		FUTURELIGHT PHP-21 TCL			
PIC. NO.		13-0057-03-02-00			
EDIT		FILE NO.		PAGE NO.	12/21
CHECK		VERSION	NR	DATE	2008.06.13
APPROVE		ECN NO.		DATE	



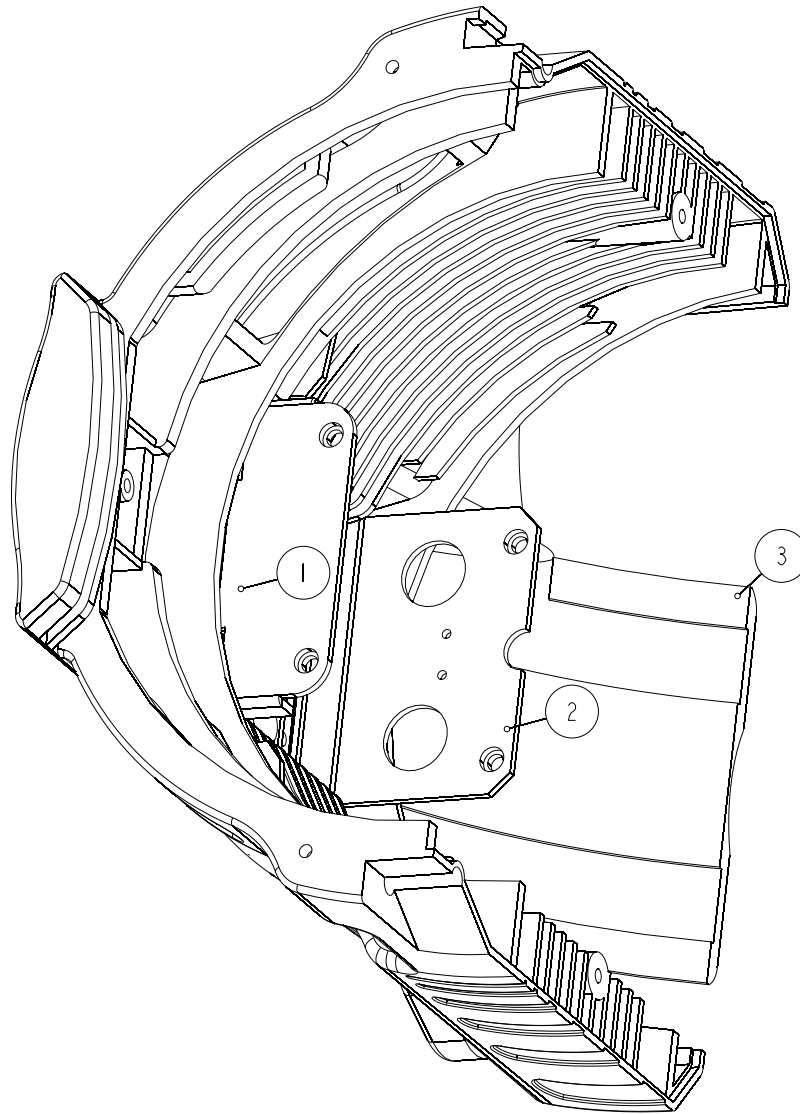
PRODUCT		FUTURELIGHT PHP-21 TCL			
PIC. NO.		13-0057-04-00-00			
EDIT		FILE NO.		PAGE NO.	13/21
CHECK		VERSION	NR	DATE	2008.06.13
APPROVE		ECN NO.		DATE	



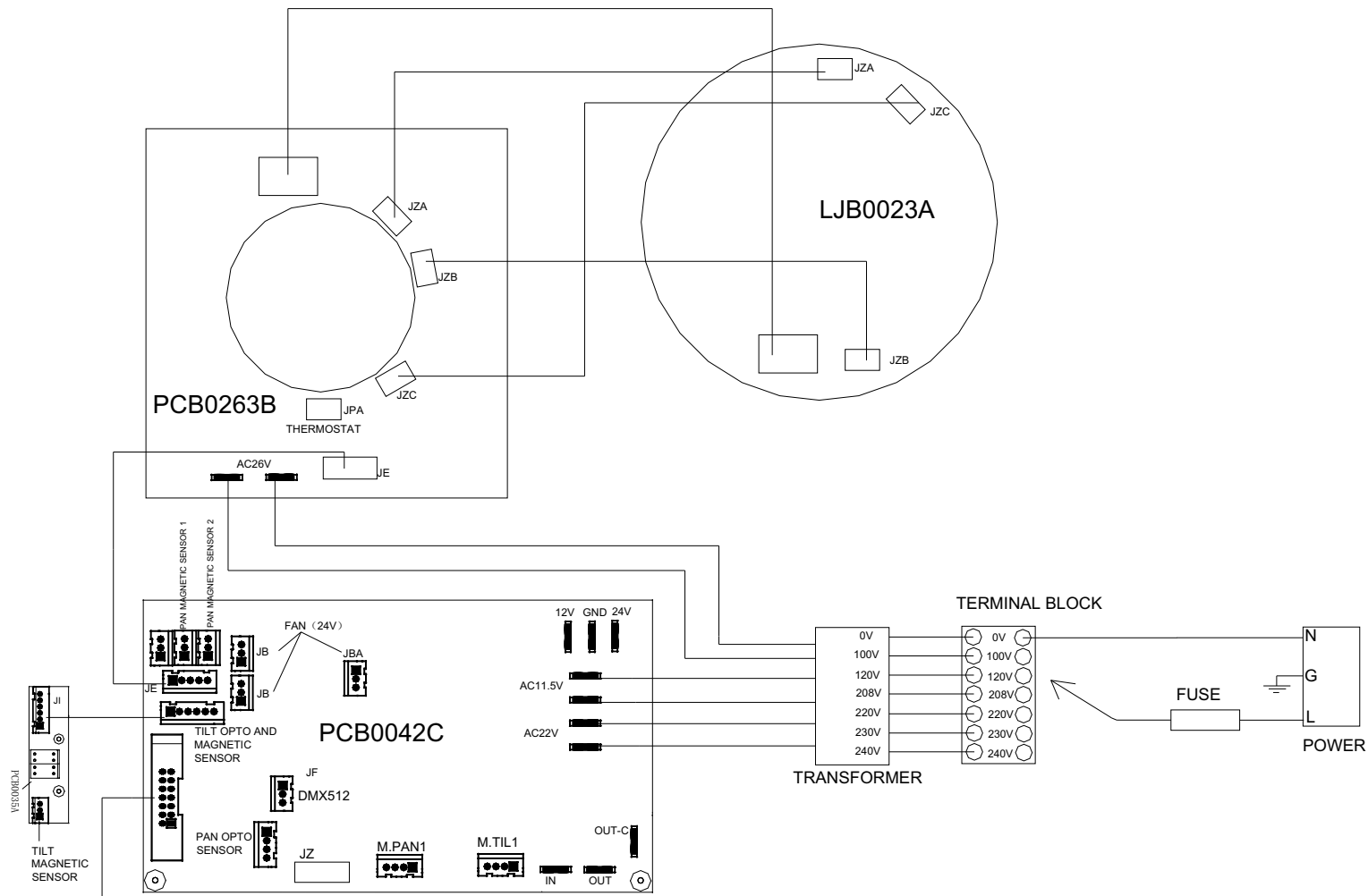
PRODUCT		FUTURELIGHT PHP-21 TCL			
PIC. NO.		13-0057-04-01-00			
EDIT		FILE NO.		PAGE NO.	14/21
CHECK		VERSION	NR	DATE	2008.06.13
APPROVE		ECN NO.		DATE	



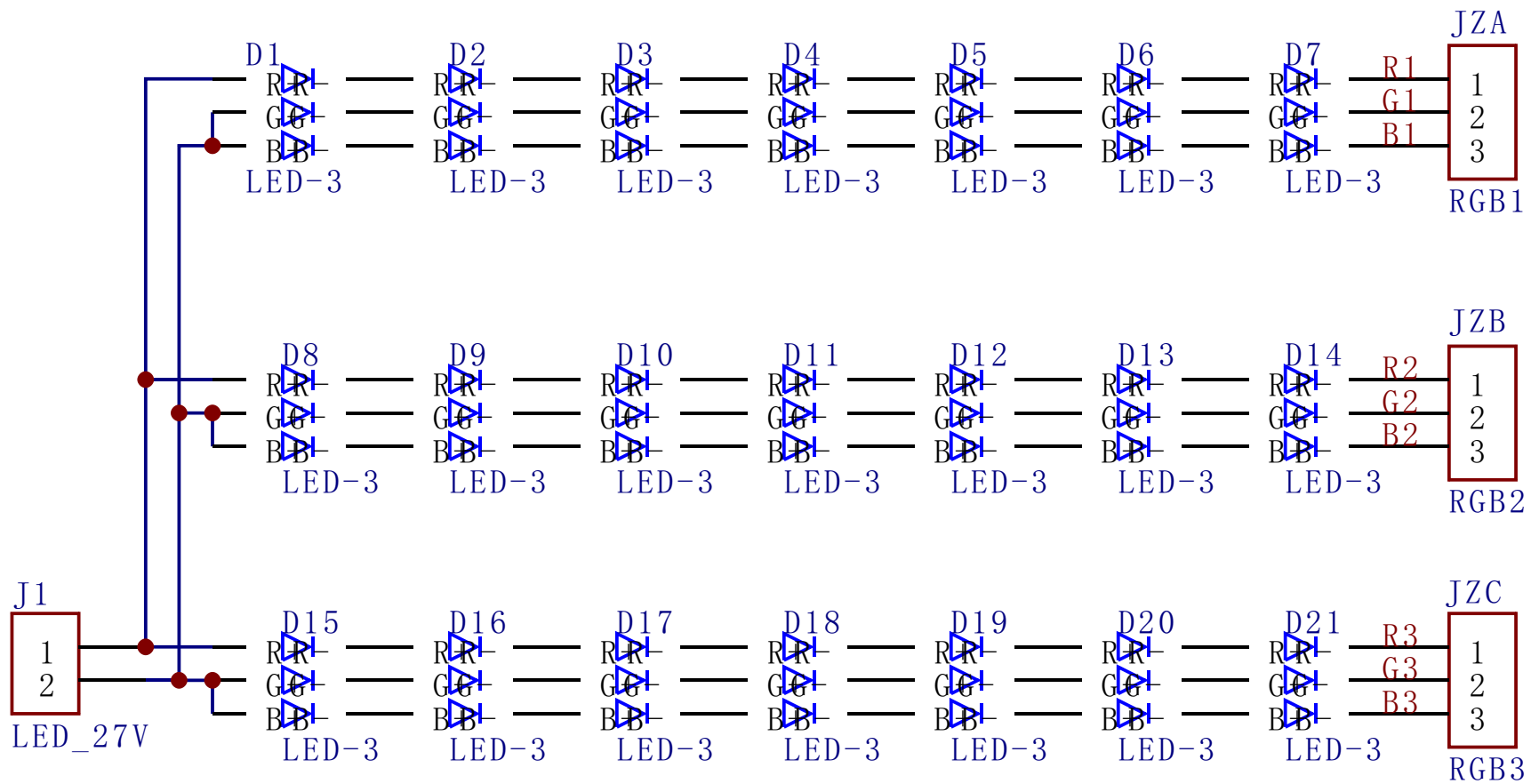
PRODUCT		FUTURELIGHT PHP-21 TCL			
PIC. NO.		Y-MPAR21T-03A-05-A00			
EDIT		FILE NO.		PAGE NO.	15/21
CHECK		VERSION	NR	DATE	2008.06.13
APPROVE		ECN NO.		DATE	



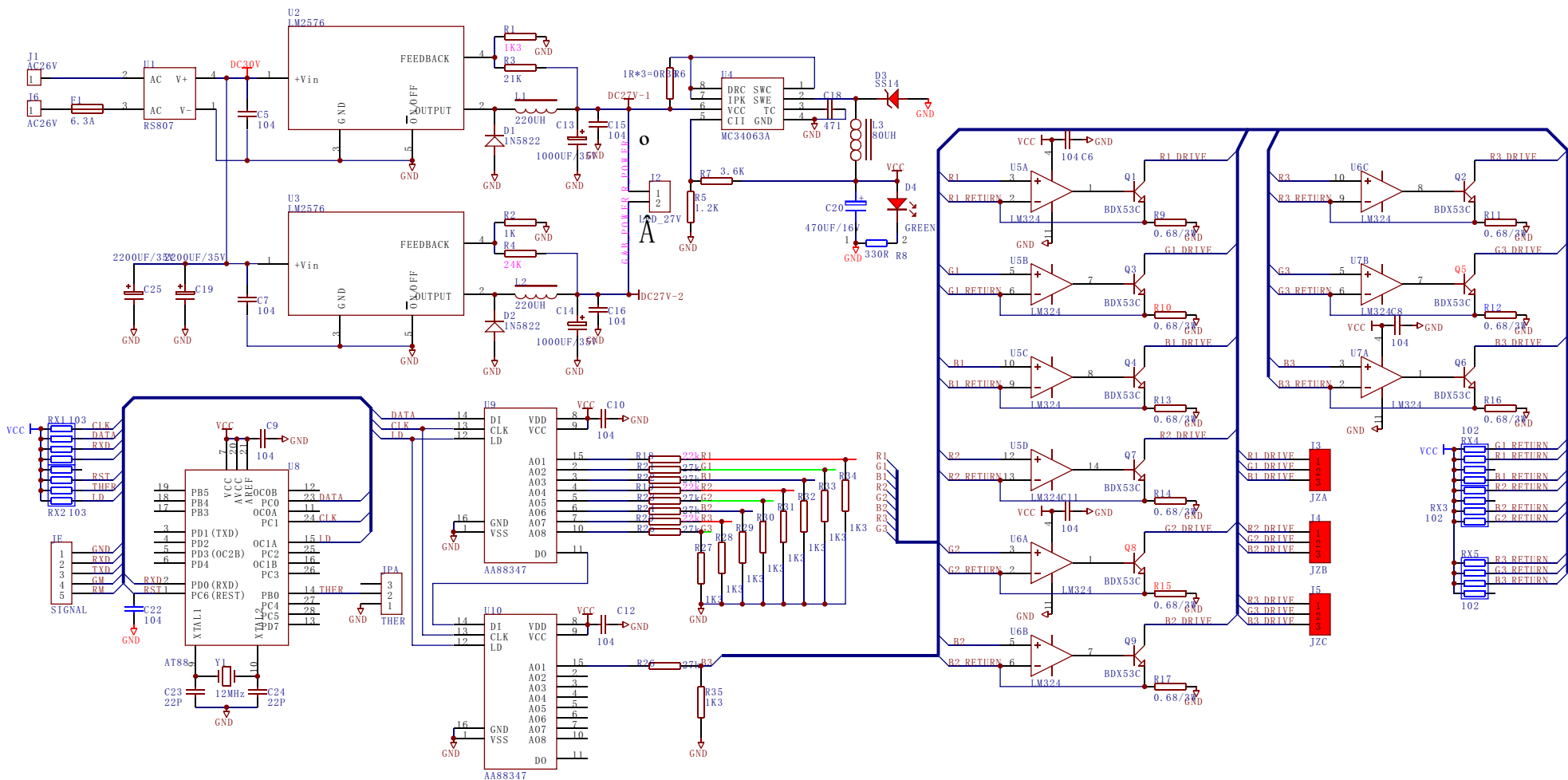
PRODUCT		FUTURELIGHT PHP-21 TCL			
PIC. NO.		Y-MPAR21T-03B-03-A00			
EDIT		FILE NO.		PAGE NO.	16/21
CHECK		VERSION	NR	DATE	2008.06.13
APPROVE		ECN NO.		DATE	



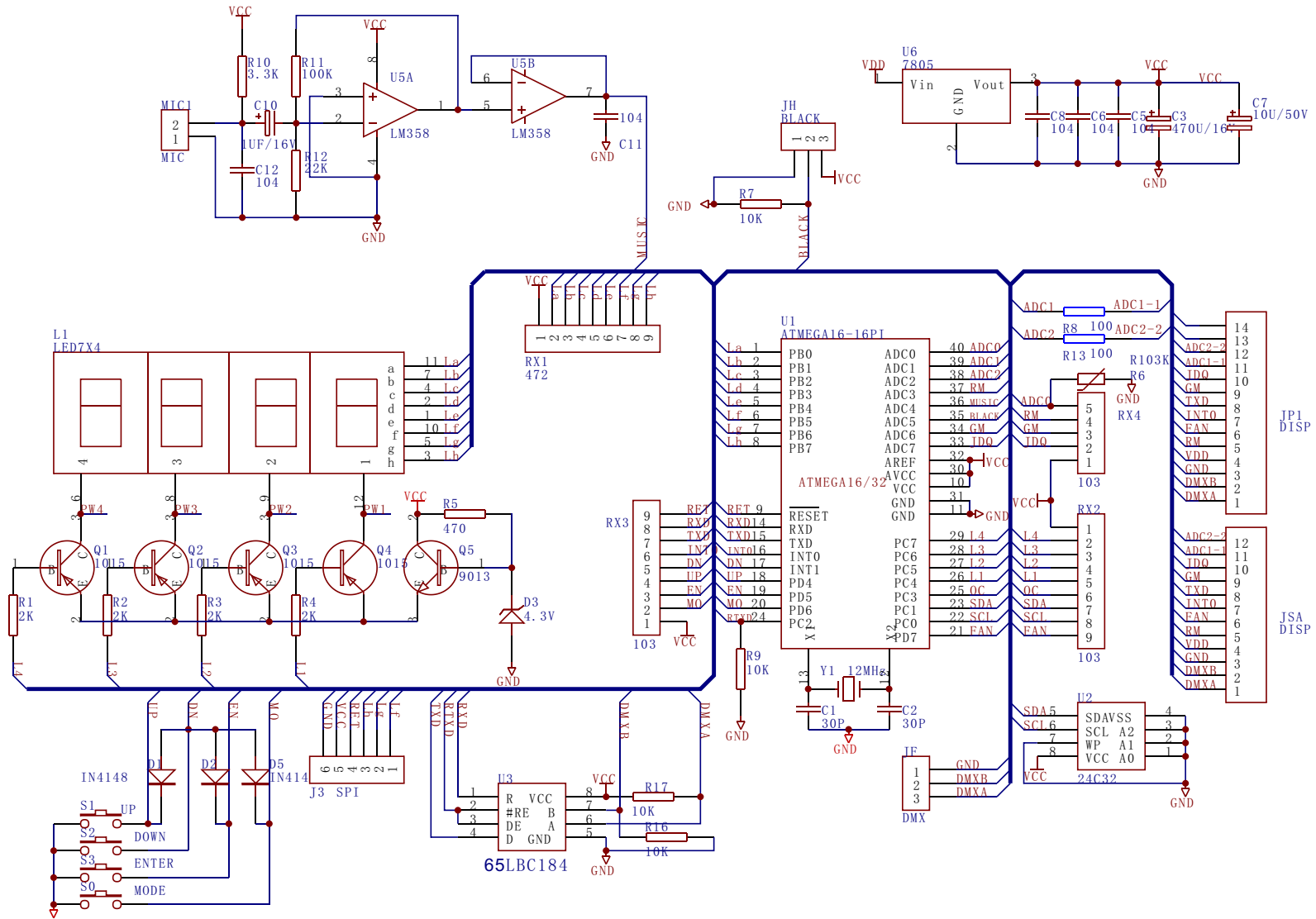
PRODUCT		FUTURELIGHT PHP-21 TCL			
PIC. NO.		MPAR 21T ELECTRIC			
EDIT		FILE NO.		PAGE NO.	17/21
CHECK		VERSION	A	DATE	2008.06.13
APPROVE		ECN NO.		DATE	



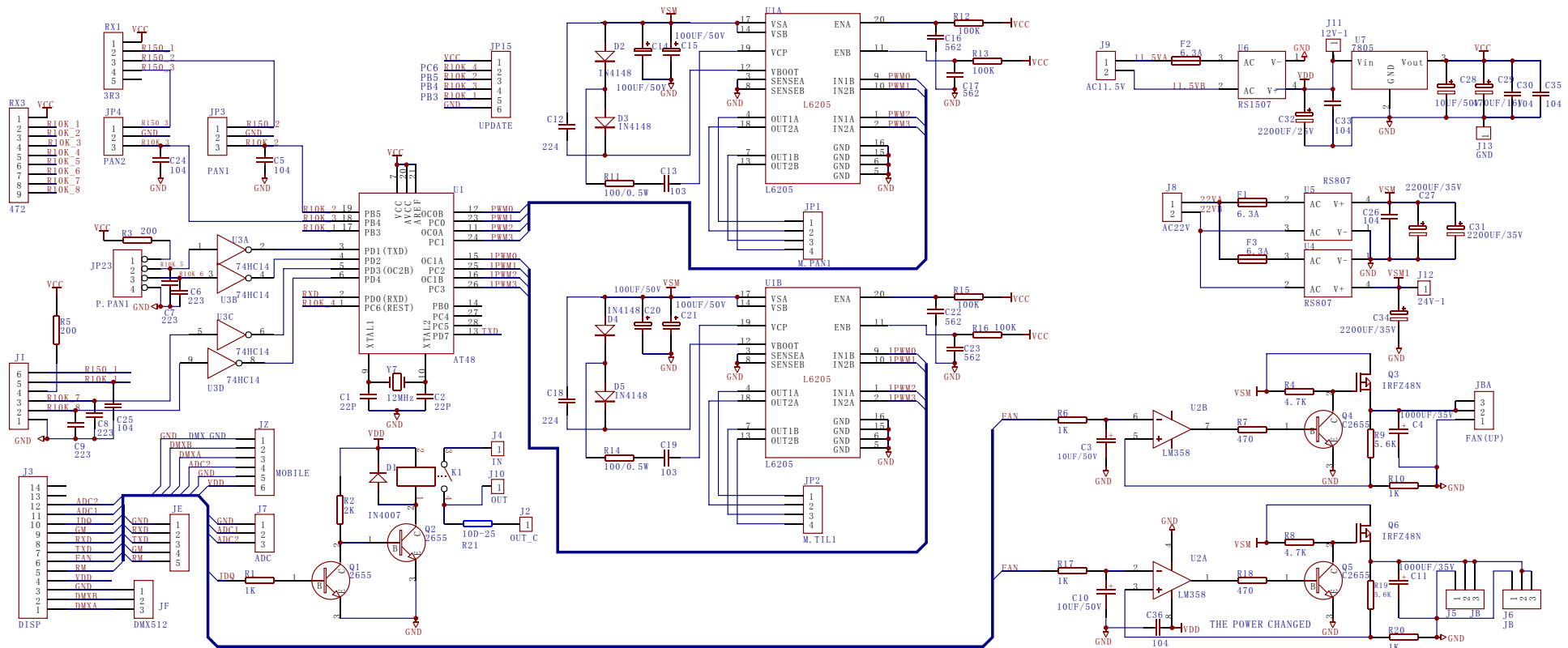
PRODUCT		FUTURELIGHT PHP-21 TCL			
PIC. NO.		LJB0023A SCHEME			
EDIT		FILE NO.		PAGE NO.	18/21
CHECK		VERSION	NR	DATE	2008.06.13
APPROVE		ECN NO.		DATE	



PRODUCT		FUTURELIGHT PHP-21 TCL			
PIC. NO.		PCB0263B SCHEME			
EDIT		FILE NO.		PAGE NO.	19/21
CHECK		VERSION	NR	DATE	2008.06.13
APPROVE		ECN NO.		DATE	



PRODUCT		FUTURELIGHT PHP-21 TCL		
PIC. NO.		DISP-003 SCHEME		
EDIT		FILE NO.		PAGE NO. 20/21
CHECK		VERSION	NR	DATE 2008.06.13
APPROVE		ECN NO.		DATE



PRODUCT		FUTURELIGHT PHP-21 TCL			
PIC. NO.		PCB0042C SCHEME			
EDIT		FILE NO.		PAGE NO.	21/21
CHECK		VERSION	NR	DATE	2008.06.13
APPROVE		ECN NO.		DATE	