

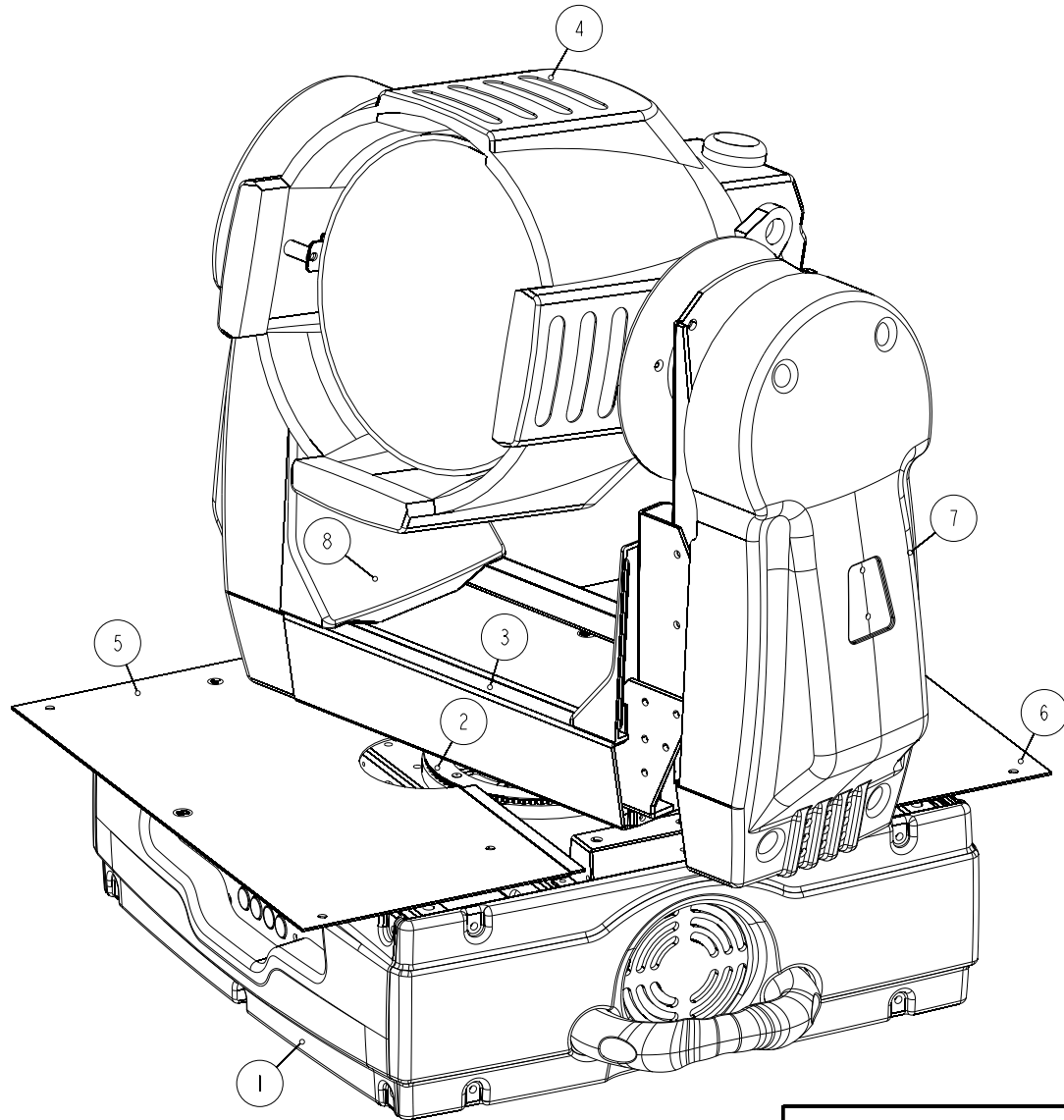
# Service manual

## PHP-575E

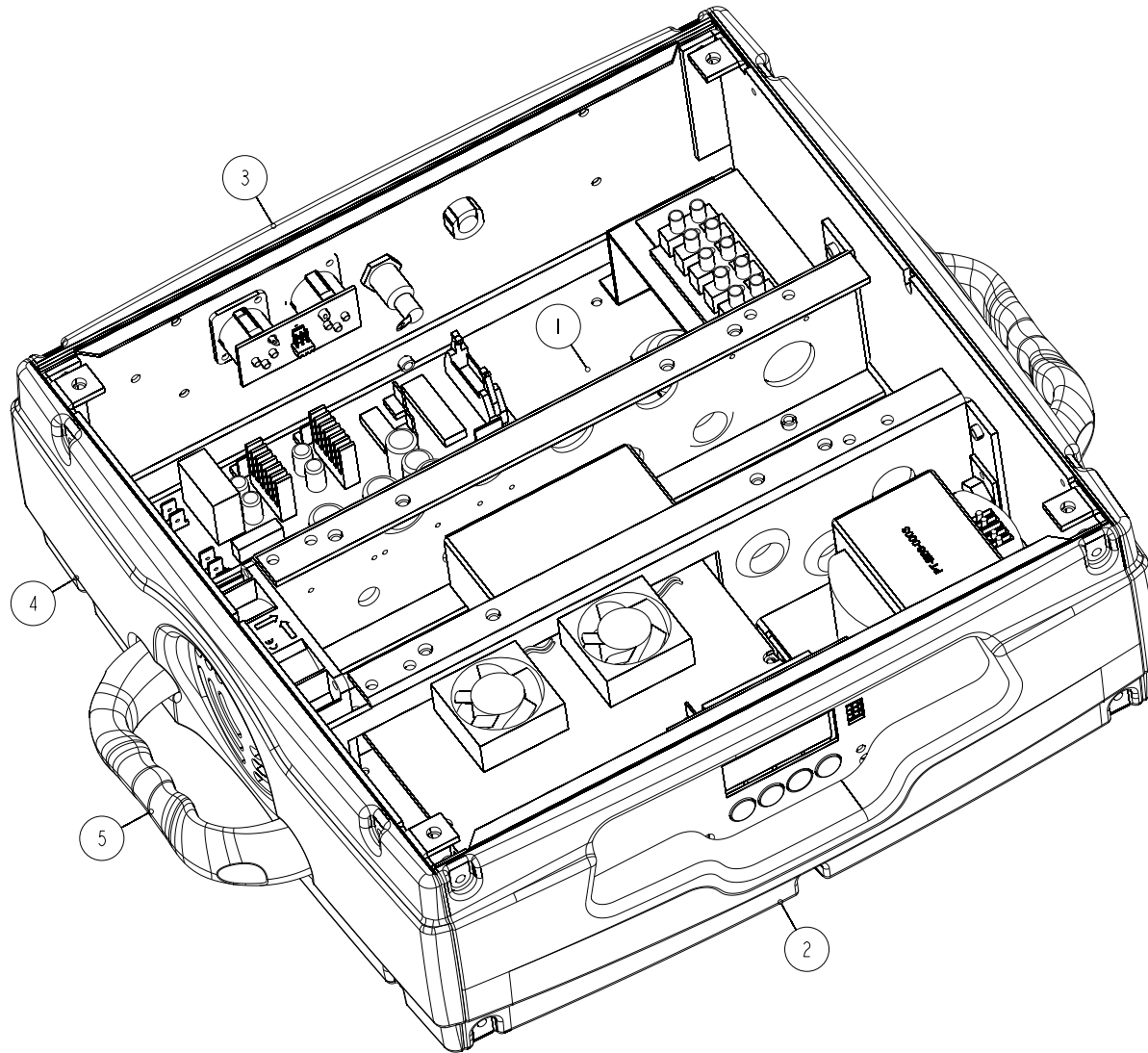
- ✘ **Exploded Diagrams**
- ✘ **Circuit Diagrams**
- ✘ **Wiring Diagrams**
- ✘ **Parts List**



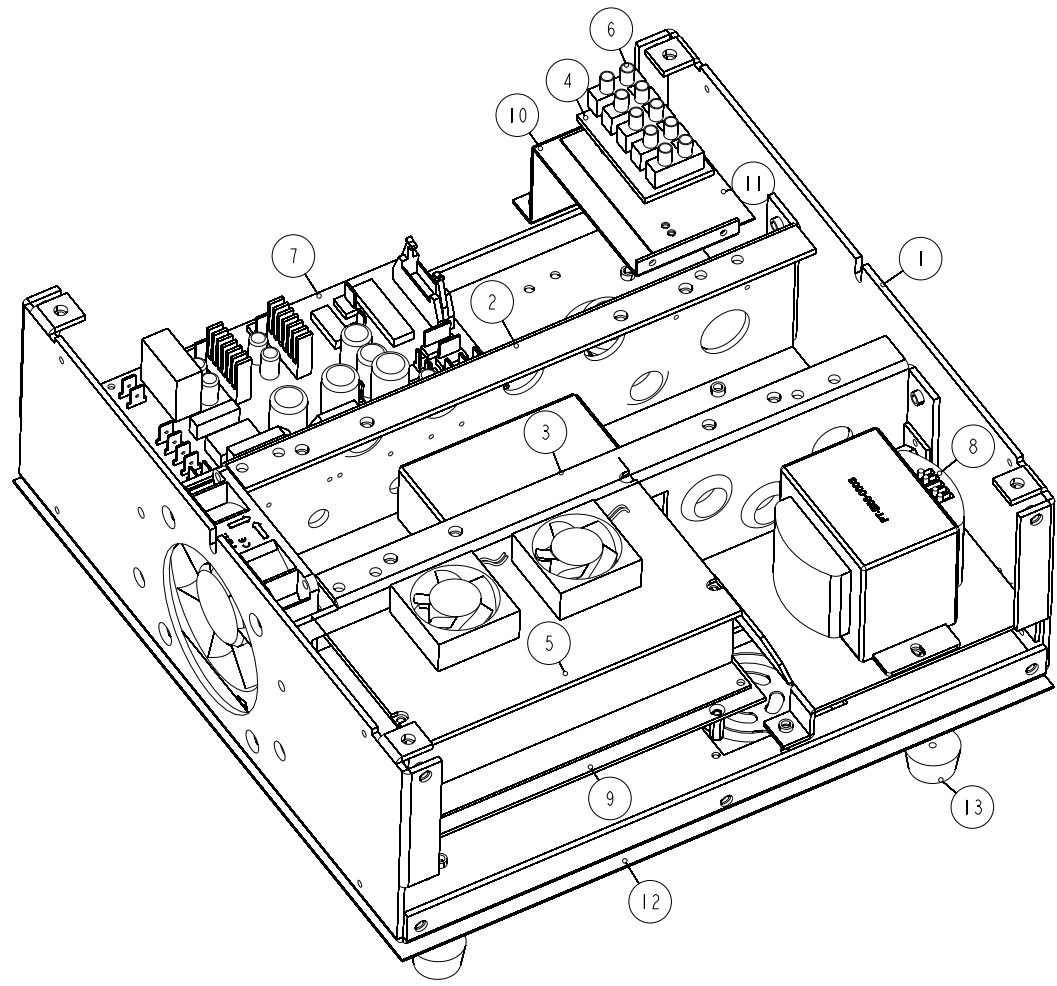
<b>PRODUCT</b>		<b>FUTURELIGHT PHP-575E</b>			
<b>PIC. NO.</b>		<b>Front Page</b>			
EDIT		FILE NO.			
CHECK		ORDER NO.			
APPROVE		VERSION	NR	VERSION	V1.0



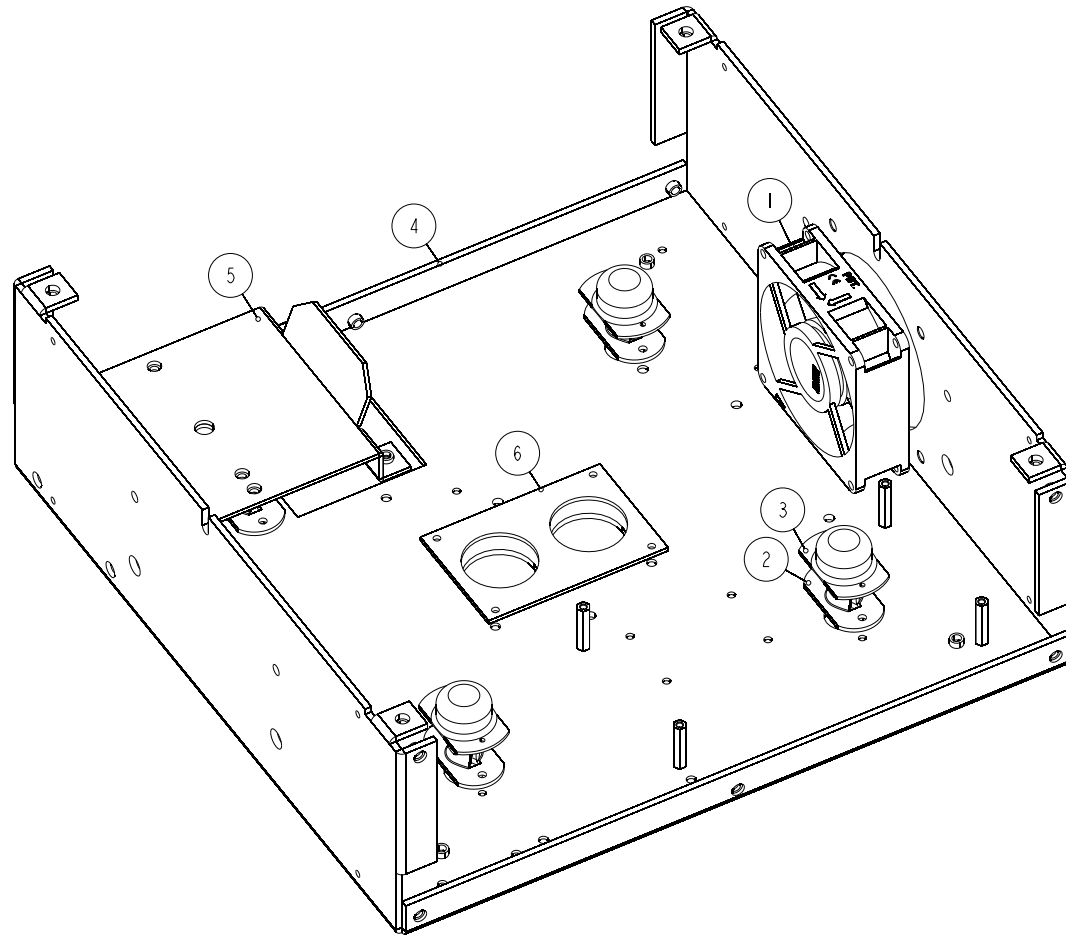
PRODUCT		<b>FUTURELIGHT PHP-575E</b>			
PIC. NO.		<b>11-0004-00-00-00</b>			
EDIT		FILE NO.		PAGE NO.	1/16
CHECK		VERSION	NR	DATE	2008.07.07
APPROVE		ECN NO.		DATE	



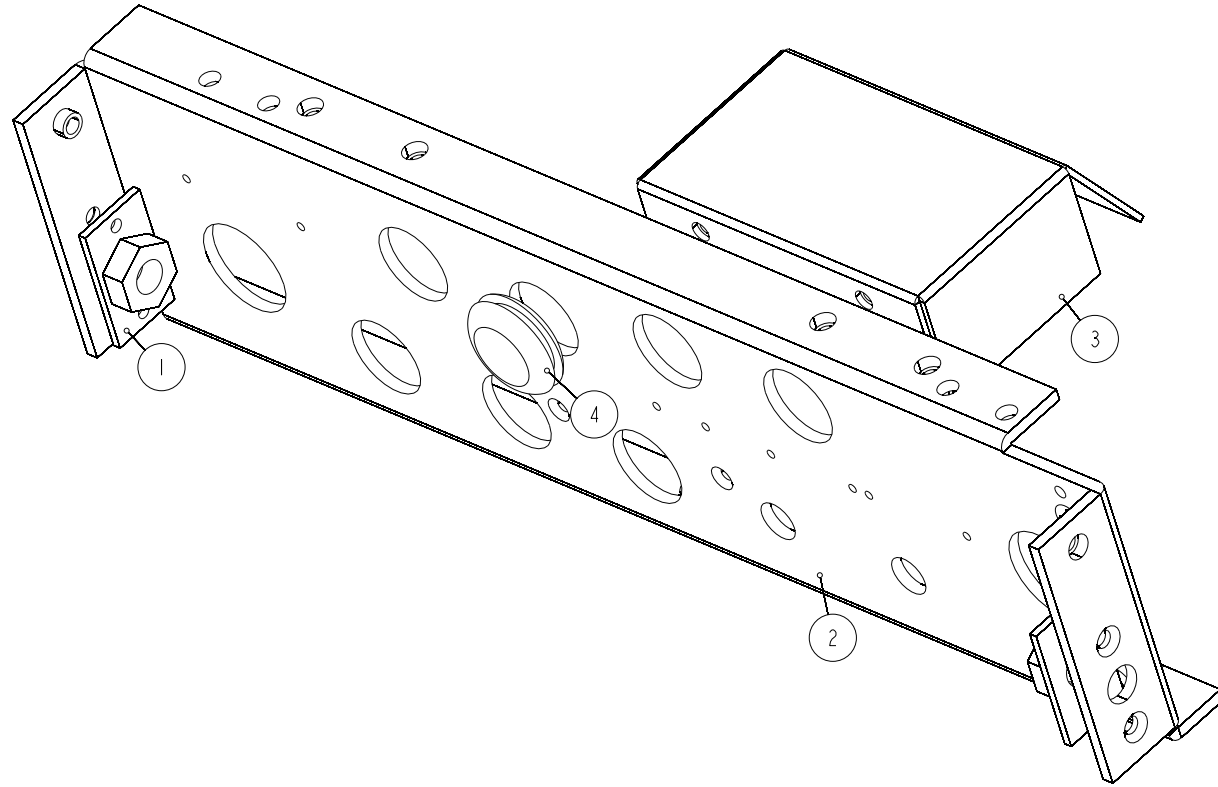
PRODUCT		<b>FUTURELIGHT PHP-575E</b>			
PIC. NO.		<b>11-0004-01-00-00</b>			
EDIT		FILE NO.		PAGE NO.	2/16
CHECK		VERSION	NR	DATE	2008.07.07
APPROVE		ECN NO.		DATE	



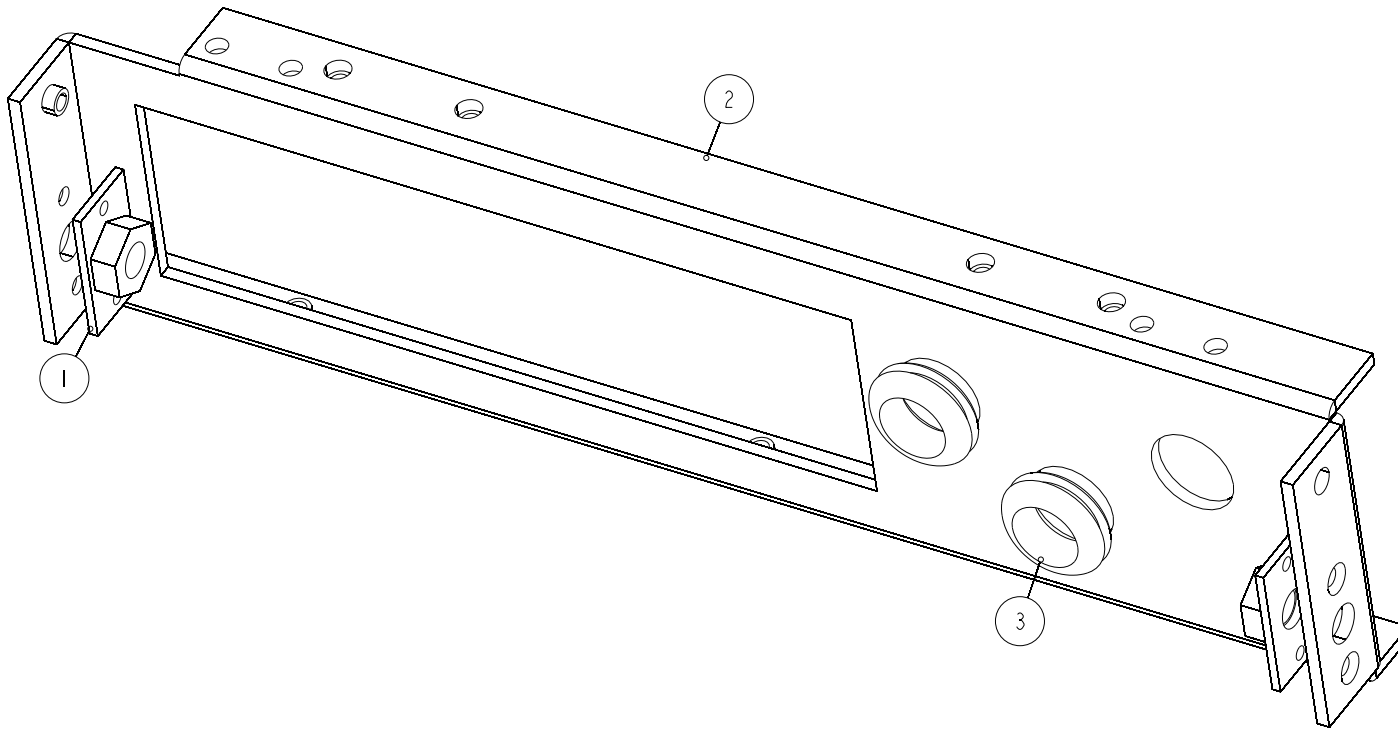
PRODUCT		<b>FUTURELIGHT PHP-575E</b>			
PIC. NO.		<b>10-0025-01-01-00</b>			
EDIT		FILE NO.		PAGE NO.	3/16
CHECK		VERSION	NR	DATE	2008.07.07
APPROVE		ECN NO.		DATE	



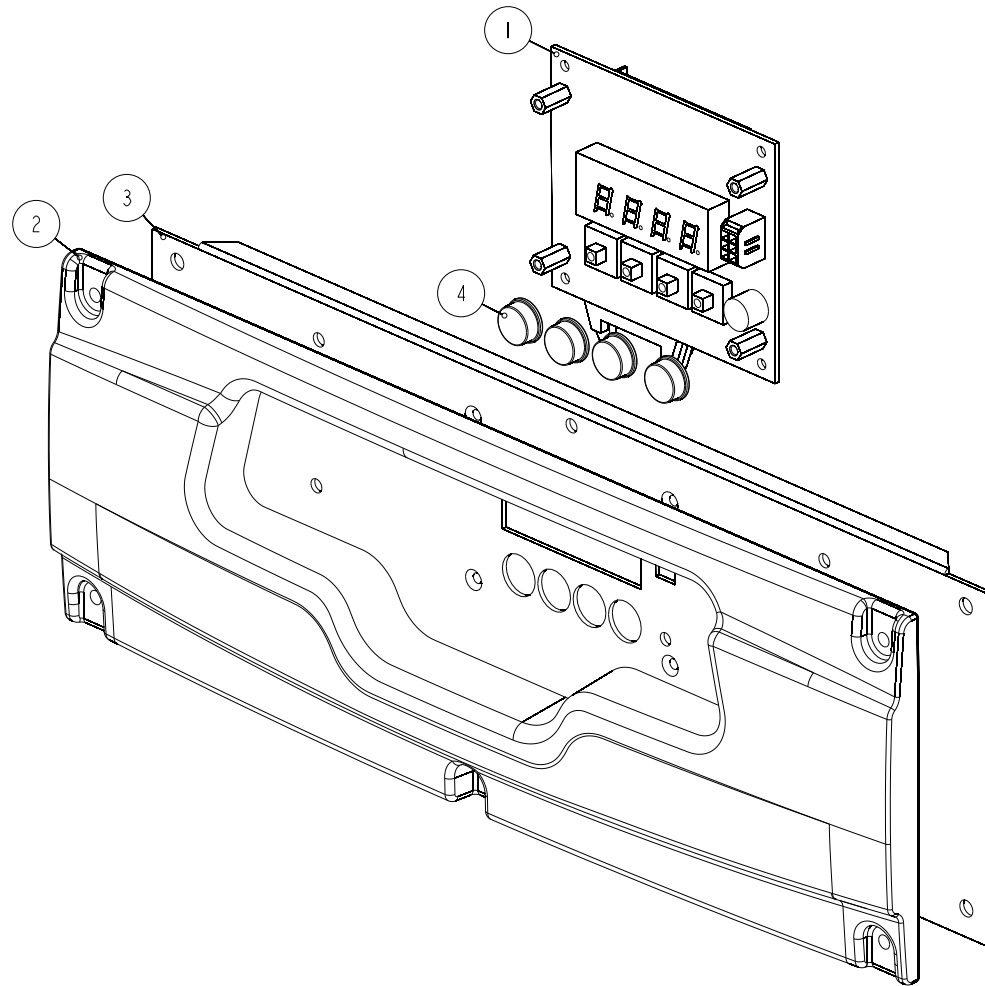
PRODUCT		<b>FUTURELIGHT PHP-575E</b>			
PIC. NO.		<b>10-0025-01-01-01</b>			
EDIT		FILE NO.		PAGE NO.	4/16
CHECK		VERSION	NR	DATE	2008.07.07
APPROVE		ECN NO.		DATE	



PRODUCT		<b>FUTURELIGHT PHP-575E</b>			
PIC. NO.		<b>10-0025-01-01-02</b>			
EDIT		FILE NO.		PAGE NO.	5/16
CHECK		VERSION	NR	DATE	2008.07.07
APPROVE		ECN NO.		DATE	

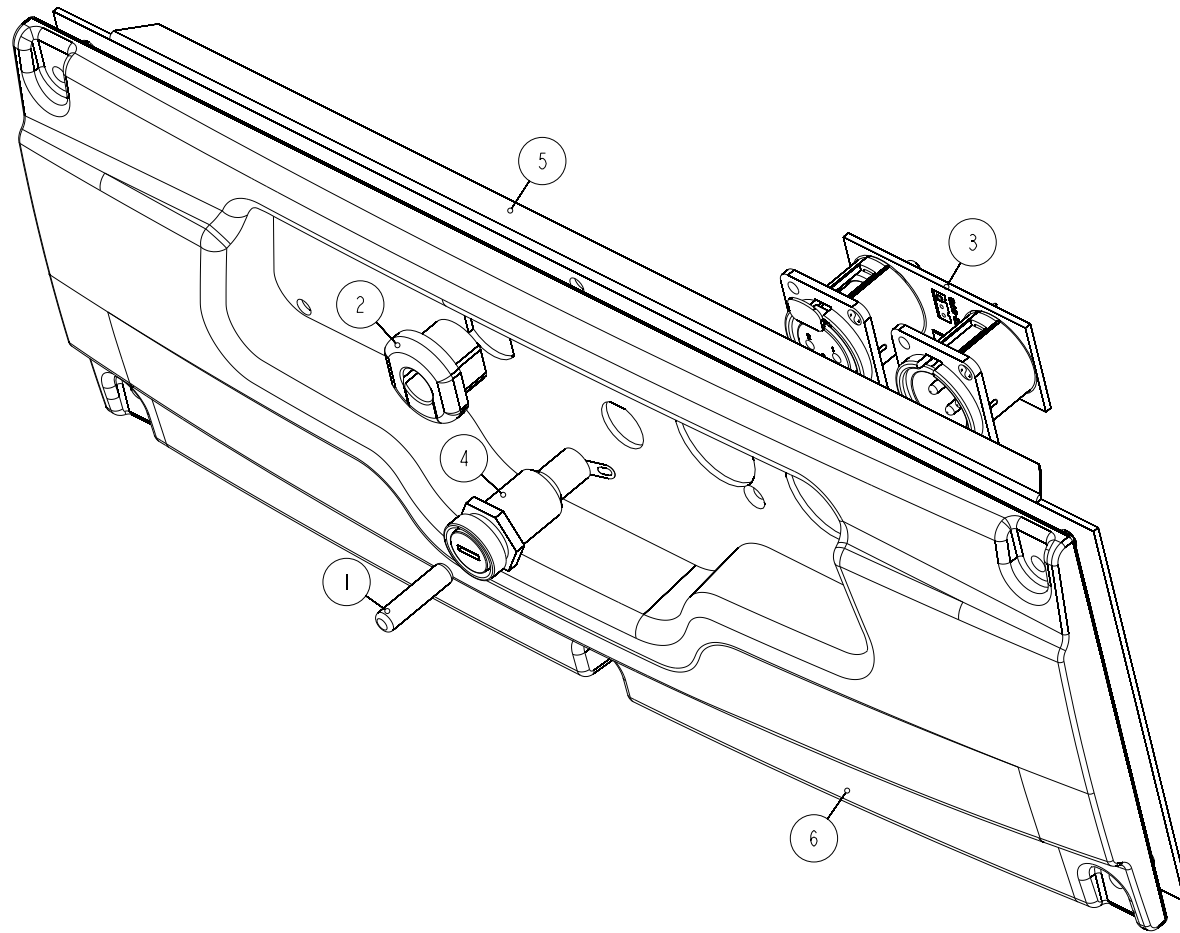


PRODUCT		<b>FUTURELIGHT PHP-575E</b>			
PIC. NO.		<b>10-0025-01-01-03</b>			
EDIT		FILE NO.		PAGE NO.	6/16
CHECK		VERSION	NR	DATE	2008.07.07
APPROVE		ECN NO.		DATE	

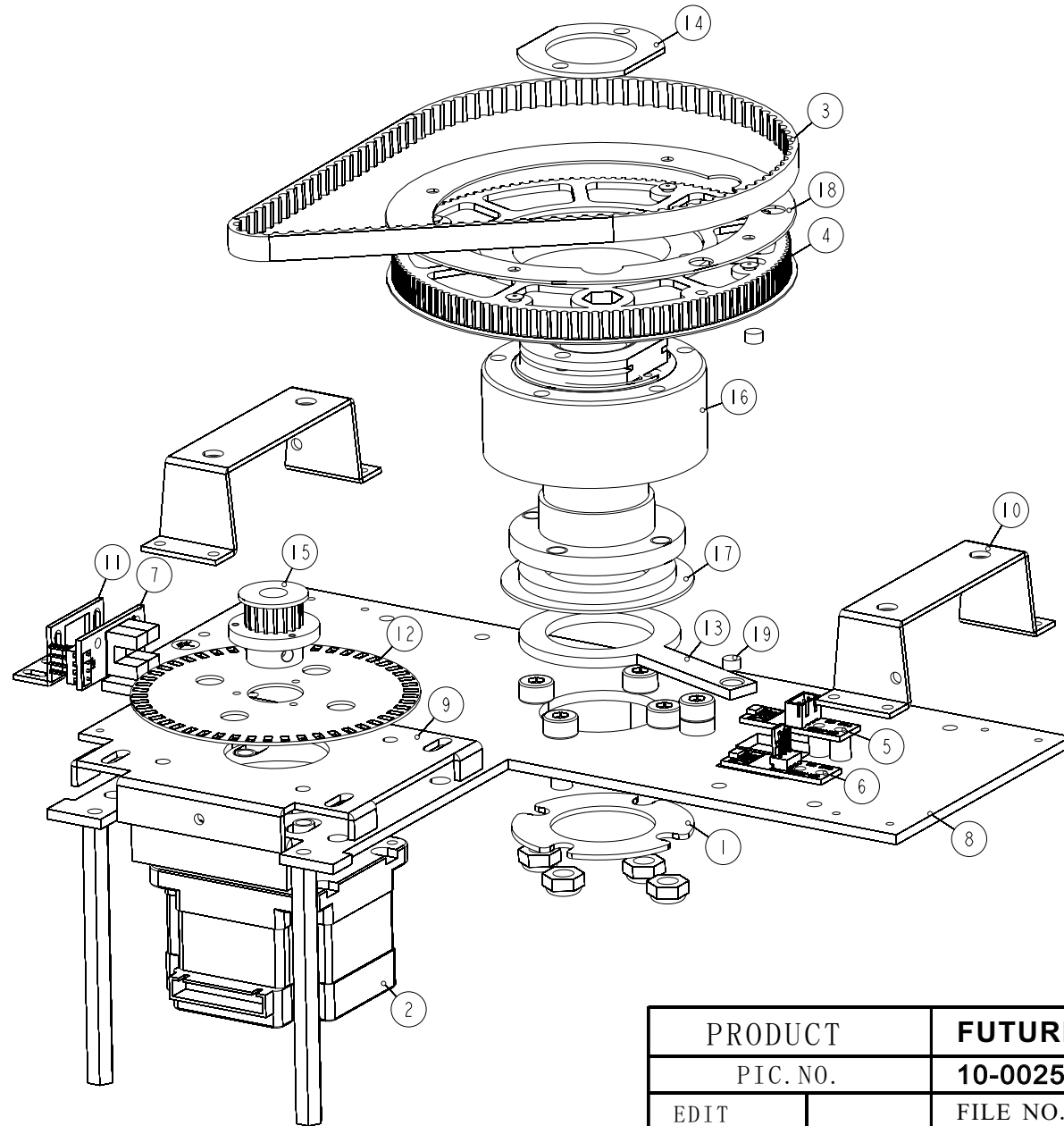


PRODUCT		<b>FUTURELIGHT PHP-575E</b>			
PIC. NO.		<b>10-0010-01-02-00</b>			
EDIT		FILE NO.		PAGE NO.	7/16
CHECK		VERSION	NR	DATE	2008.07.07
APPROVE		ECN NO.		DATE	

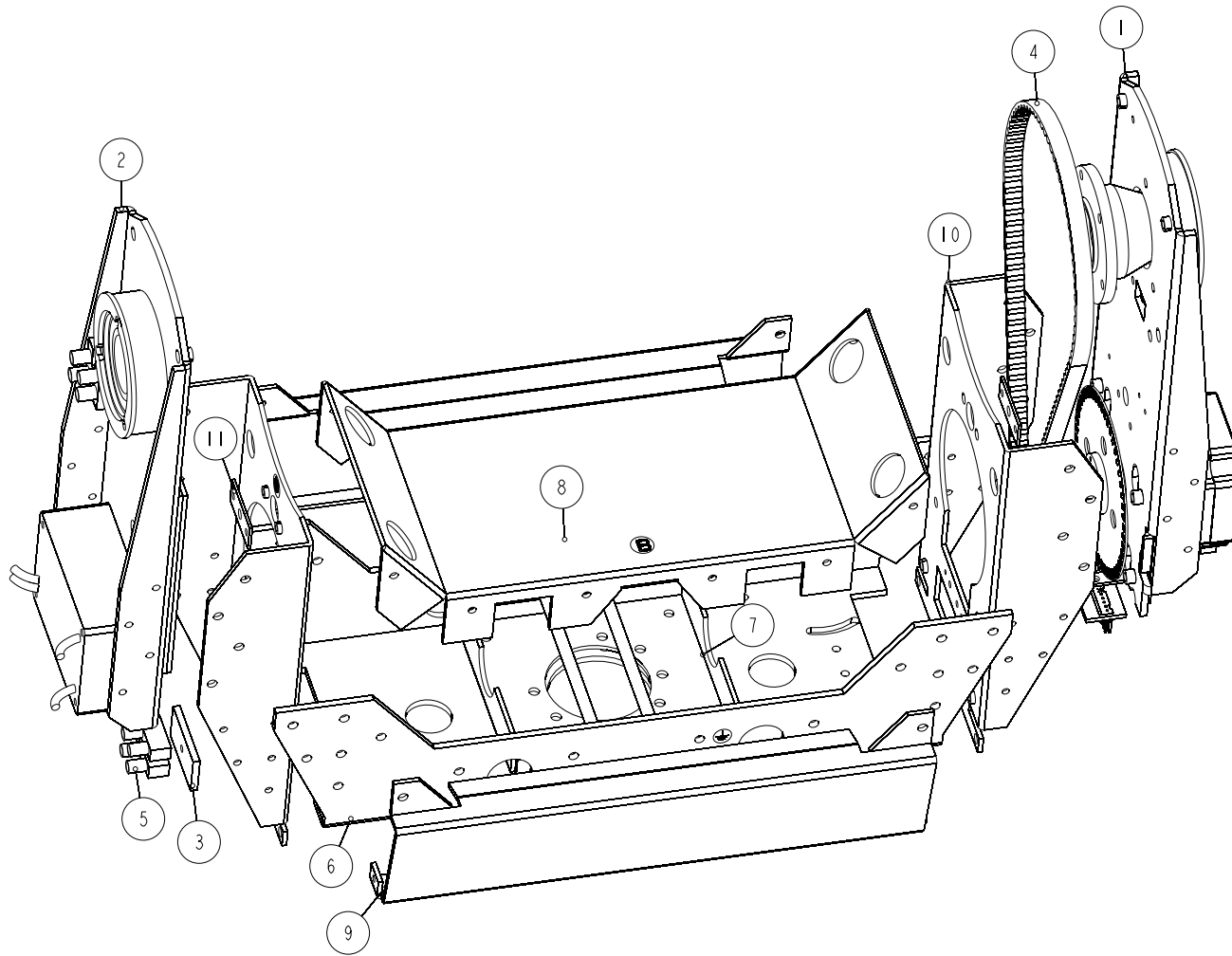




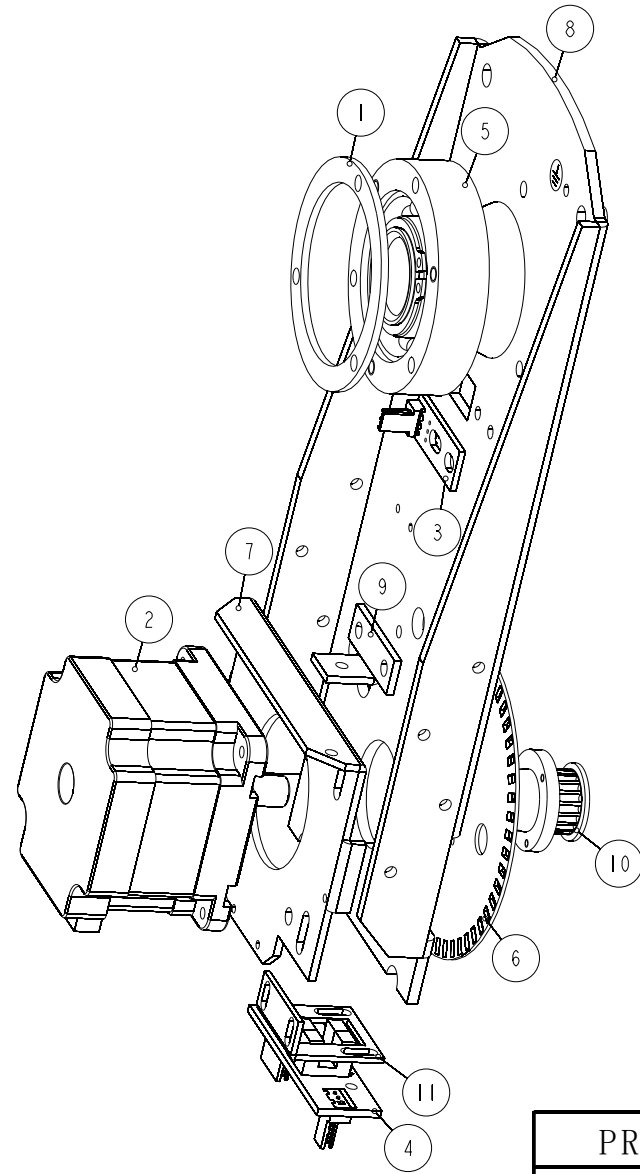
PRODUCT		<b>FUTURELIGHT PHP-575E</b>			
PIC. NO.		<b>11-0004-01-03-00</b>			
EDIT		FILE NO.		PAGE NO.	8/16
CHECK		VERSION	NR	DATE	2008.07.07
APPROVE		ECN NO.		DATE	



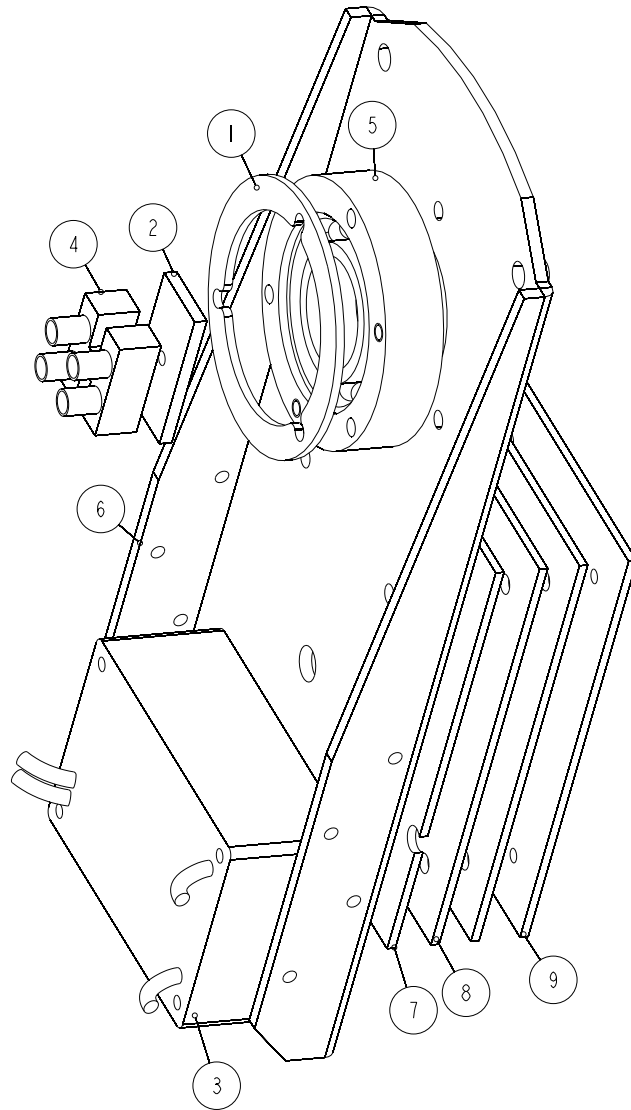
PRODUCT		FUTURELIGHT PHP-575E			
PIC. NO.		10-0025-02-00-00			
EDIT		FILE NO.		PAGE NO.	9/16
CHECK		VERSION	NR	DATE	2008.07.07
APPROVE		ECN NO.		DATE	



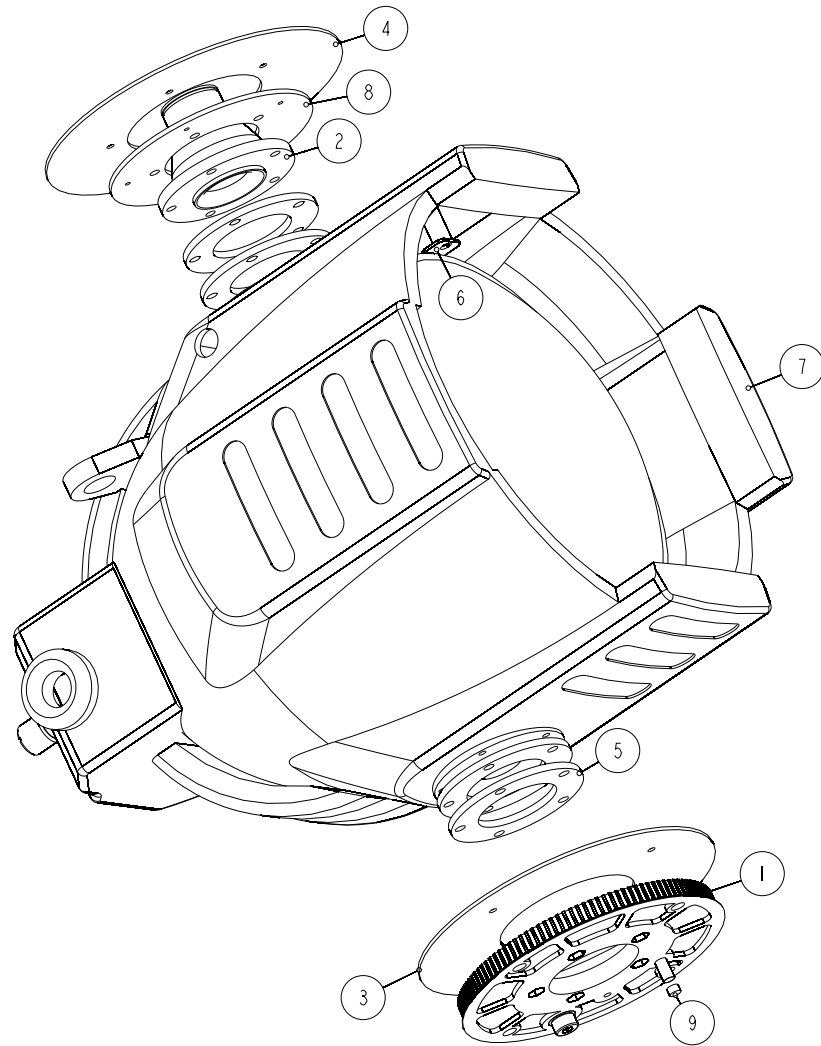
PRODUCT		<b>FUTURELIGHT PHP-575E</b>			
PIC. NO.		<b>10-0025-03-00-00</b>			
EDIT		FILE NO.		PAGE NO.	10/16
CHECK		VERSION	NR	DATE	2008.07.07
APPROVE		ECN NO.		DATE	



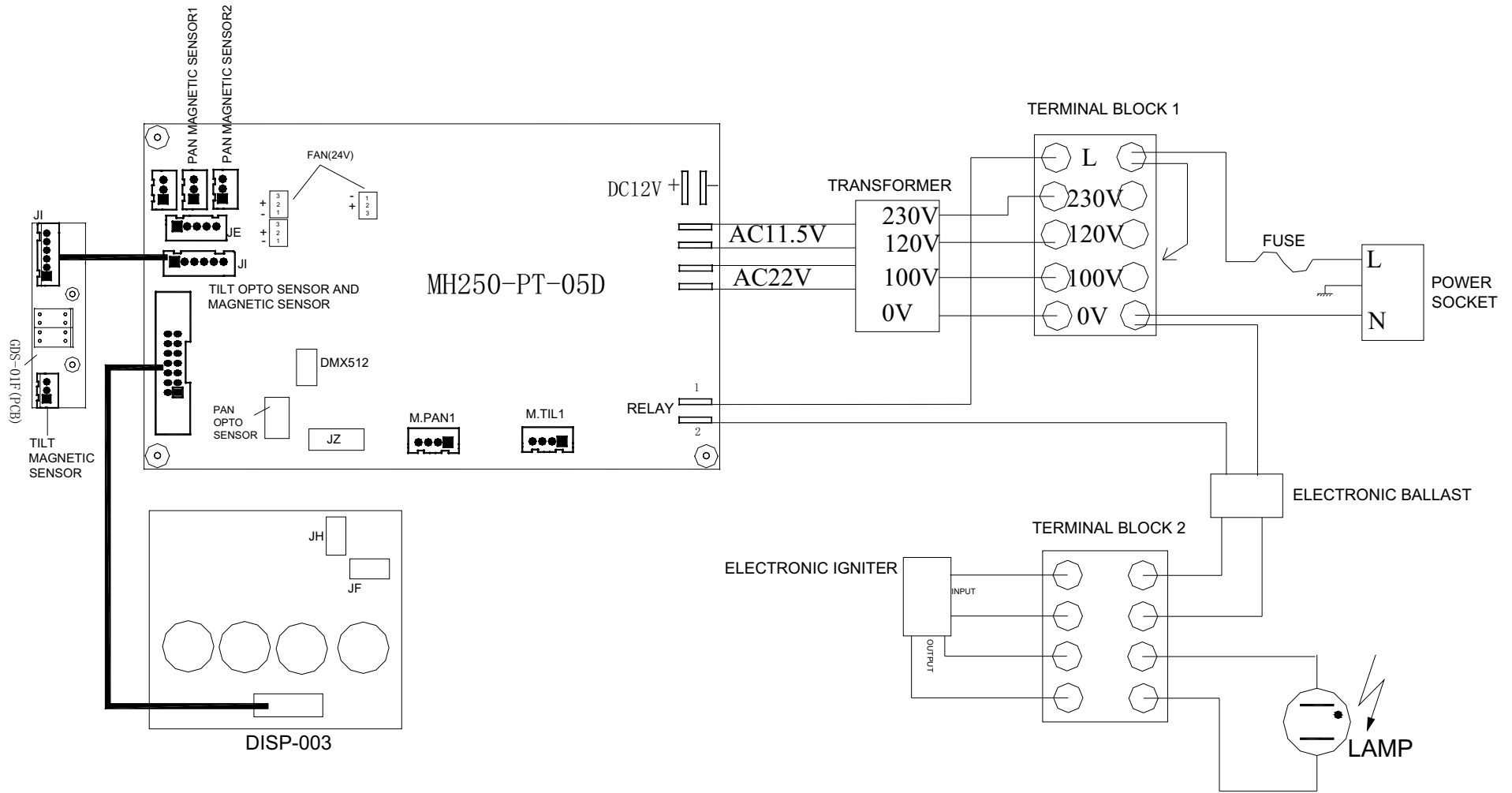
PRODUCT		<b>FUTURELIGHT PHP-575E</b>			
PIC. NO.		<b>10-0025-03-01-00</b>			
EDIT		FILE NO.		PAGE NO.	11/16
CHECK		VERSION	NR	DATE	2008.07.07
APPROVE		ECN NO.		DATE	



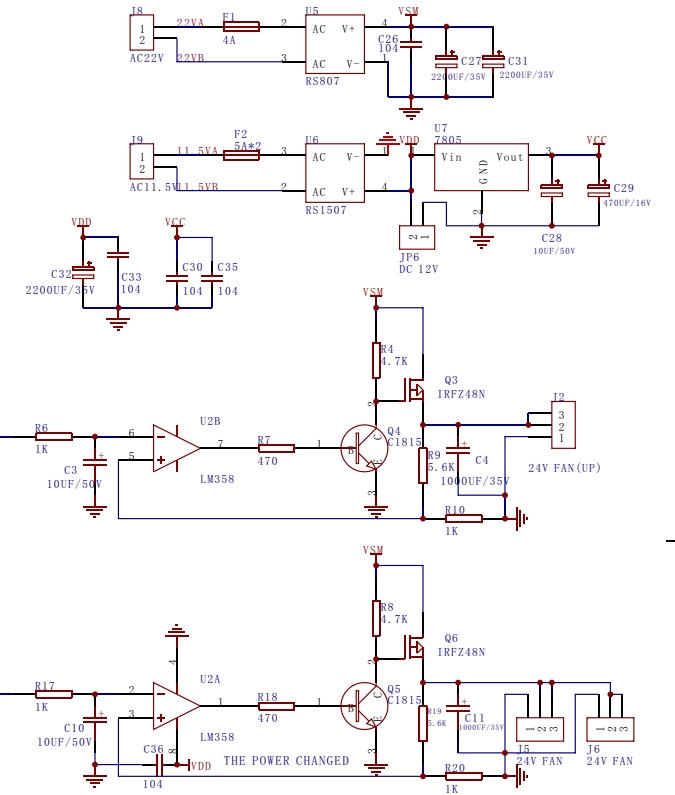
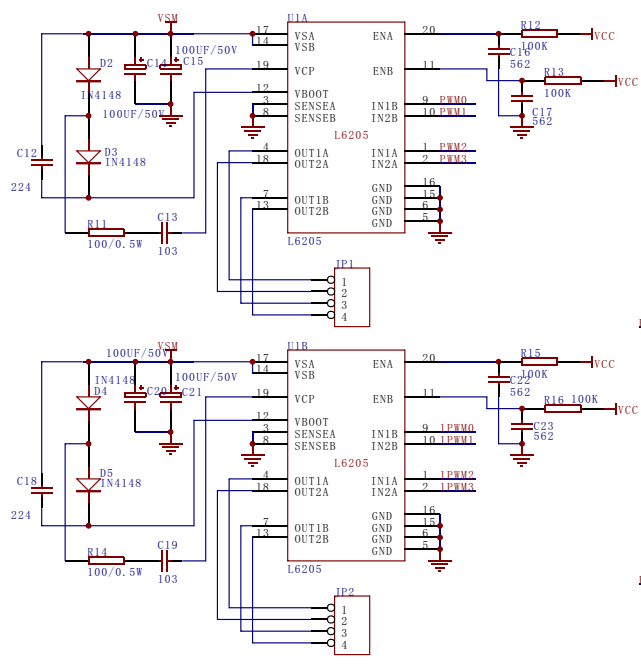
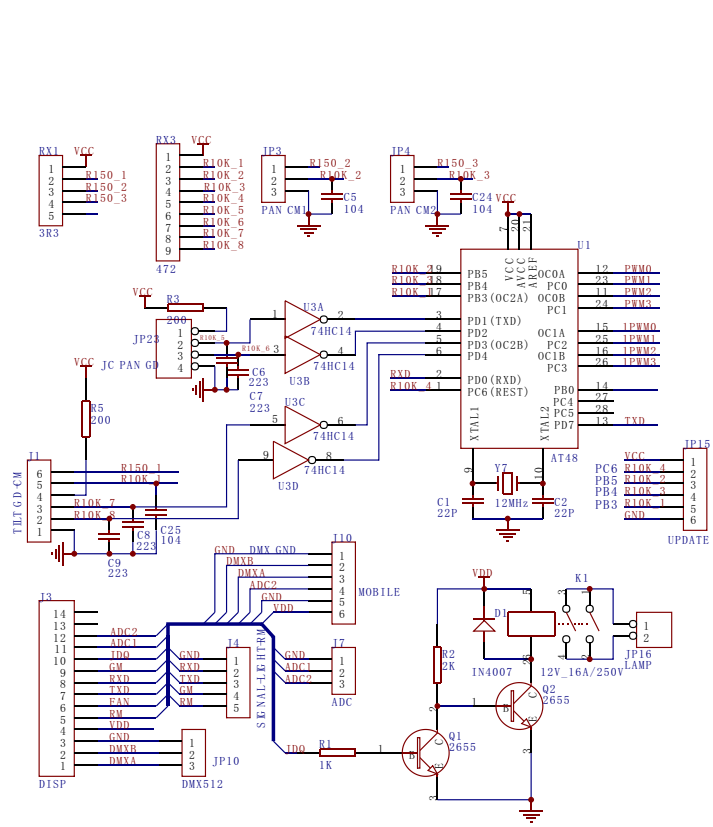
PRODUCT		<b>FUTURELIGHT PHP-575E</b>			
PIC. NO.		<b>10-0025-03-02-00</b>			
EDIT		FILE NO.		PAGE NO.	12/16
CHECK		VERSION	NR	DATE	2008.07.07
APPROVE		ECN NO.		DATE	



PRODUCT		<b>FUTURELIGHT PHP-575E</b>			
PIC. NO.		<b>10-0025-04-00-00</b>			
EDIT		FILE NO.		PAGE NO.	13/16
CHECK		VERSION	NR	DATE	2008.07.07
APPROVE		ECN NO.		DATE	

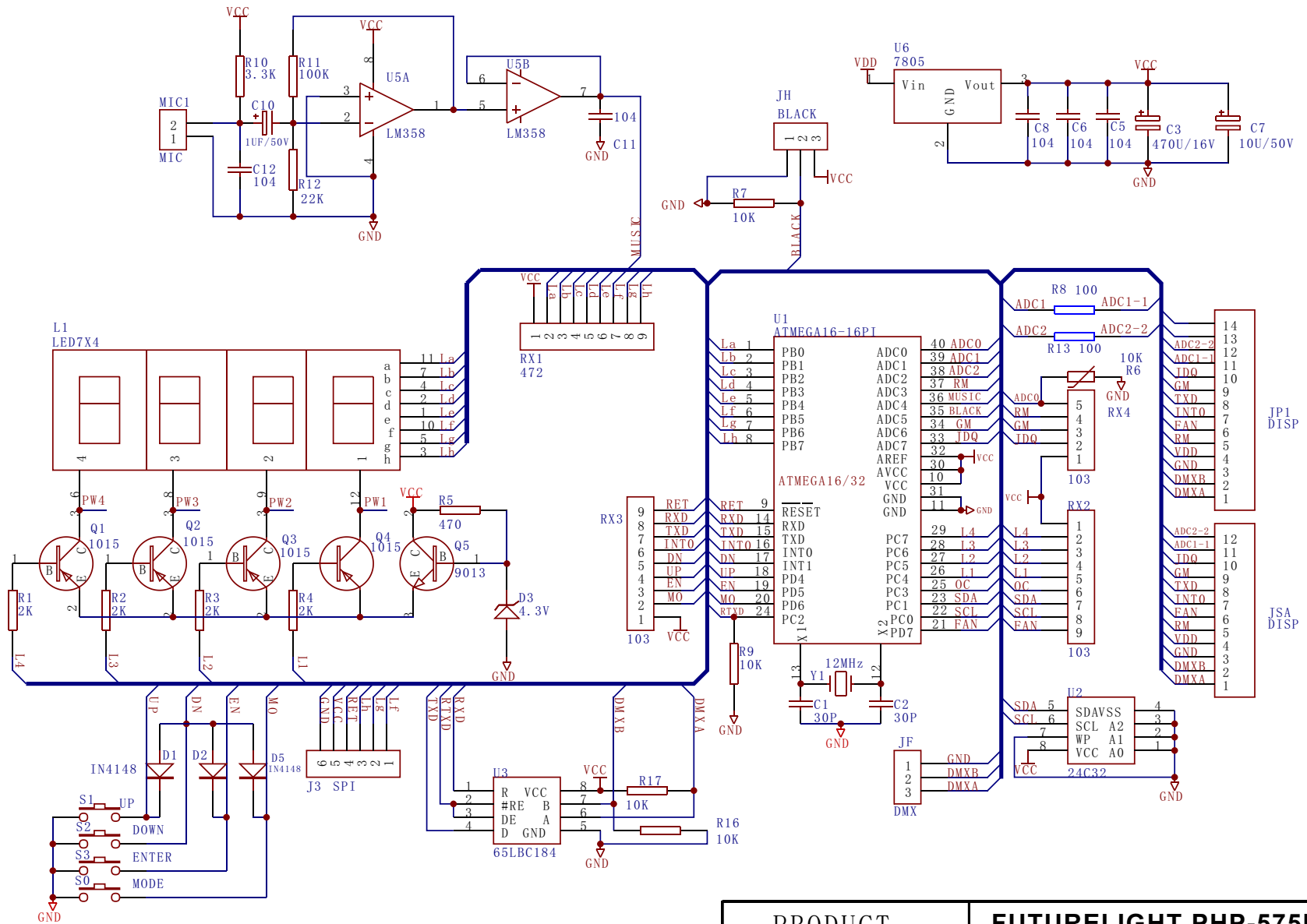


PRODUCT		<b>FUTURELIGHT PHP-575E</b>			
PIC. NO.		<b>MPAR575D-E ELECTRIC</b>			
EDIT		FILE NO.		PAGE NO.	14/16
CHECK		VERSION	A	DATE	2008.07.07
APPROVE		ECN NO.		DATE	



PRODUCT		FUTURELIGHT PHP-575E			
PIC. NO.		MH250-PT-05D SCHEME			
EDIT		FILE NO.		PAGE NO.	15/16
CHECK		VERSION	NR	DATE	2008.07.07
APPROVE		ECN NO.		DATE	





PRODUCT		FUTURELIGHT PHP-575E			
PIC. NO.		DISP-003 SCHEME			
EDIT		FILE NO.		PAGE NO.	16/16
CHECK		VERSION	NR	DATE	2008.07.07
APPROVE		ECN NO.		DATE	