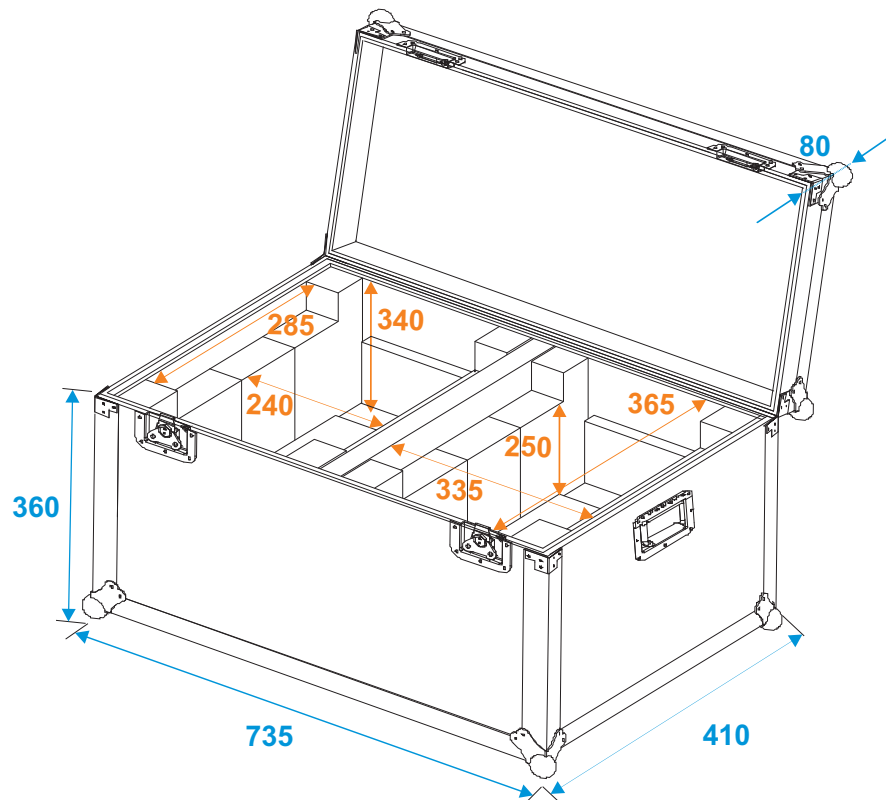




# Flightcase

**51836893** Flightcase for 2x EYE-36



\*all dimensions in millimeters

