

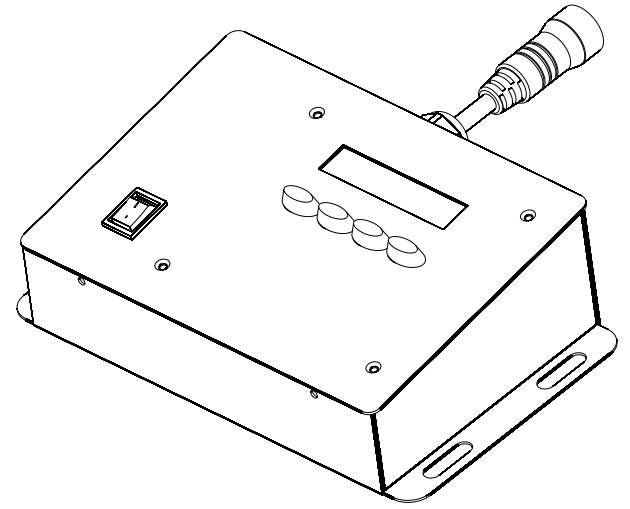
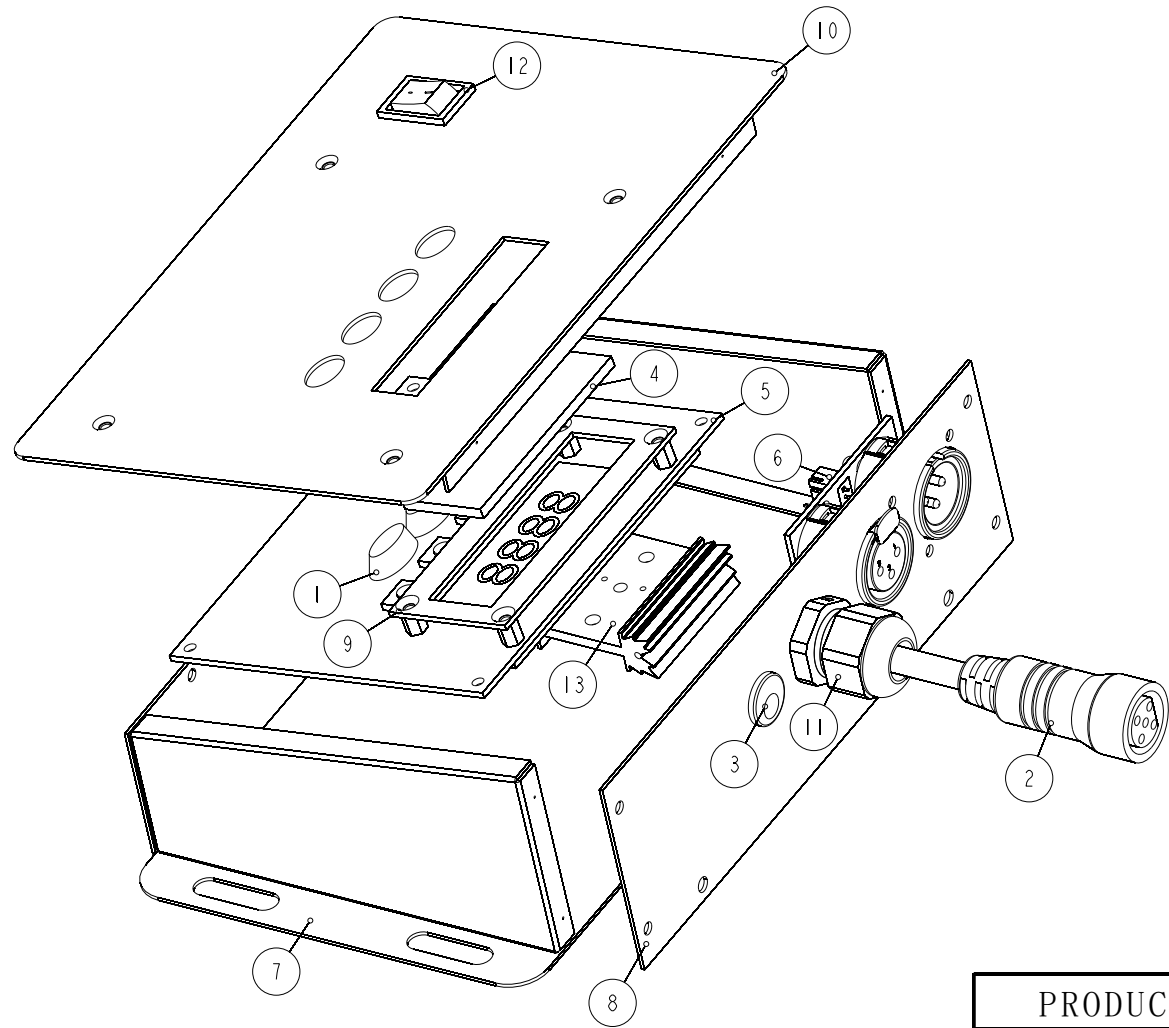
Service manual

FUTURLIGHT LC-01

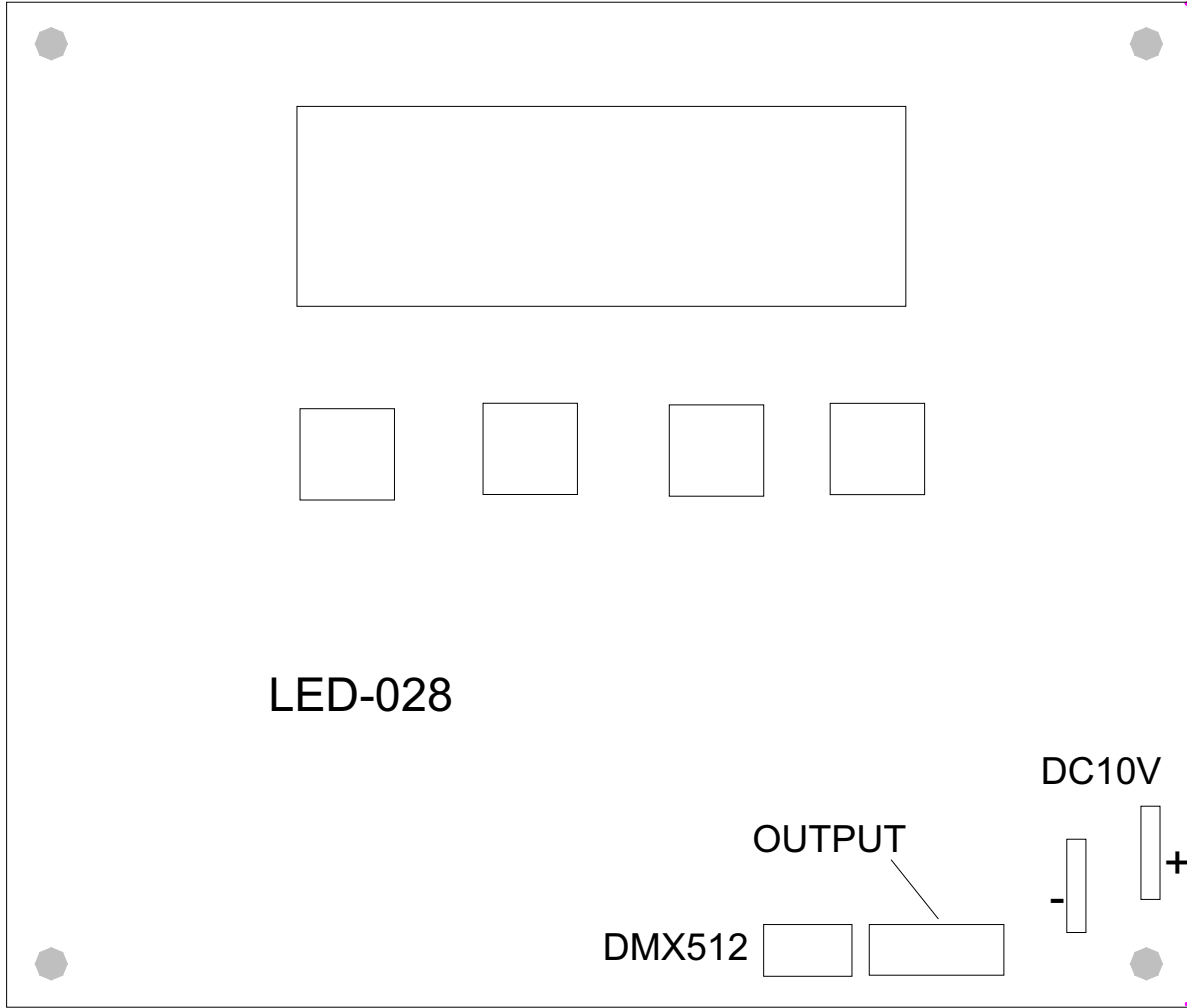
- ✘ **Exploded Diagrams**
- ✘ **Circuit Diagrams**
- ✘ **Wiring Diagrams**
- ✘ **Parts List**



| | | | | |
|-----------------|--|-------------------------------------|----|----------------------|
| PRODUCT | | FUTURELIGHT LC-01 Controller | | |
| PIC. NO. | | Front Page | | |
| EDIT | | FILE NO. | | |
| CHECK | | ORDER NO. | | |
| APPROVE | | VERSION | NR | SOFTWARE VER. V1.0 |



| | | | | | |
|----------|--|-------------------------------------|----|----------|------------|
| PRODUCT | | FUTURELIGHT LC-01 Controller | | | |
| PIC. NO. | | 13-0060-00-00-00 | | | |
| EDIT | | FILE NO. | | PAGE NO. | 1/3 |
| CHECK | | VERSION | NR | DATE | 2008.07.12 |
| APPROVE | | ECN NO. | | DATE | |



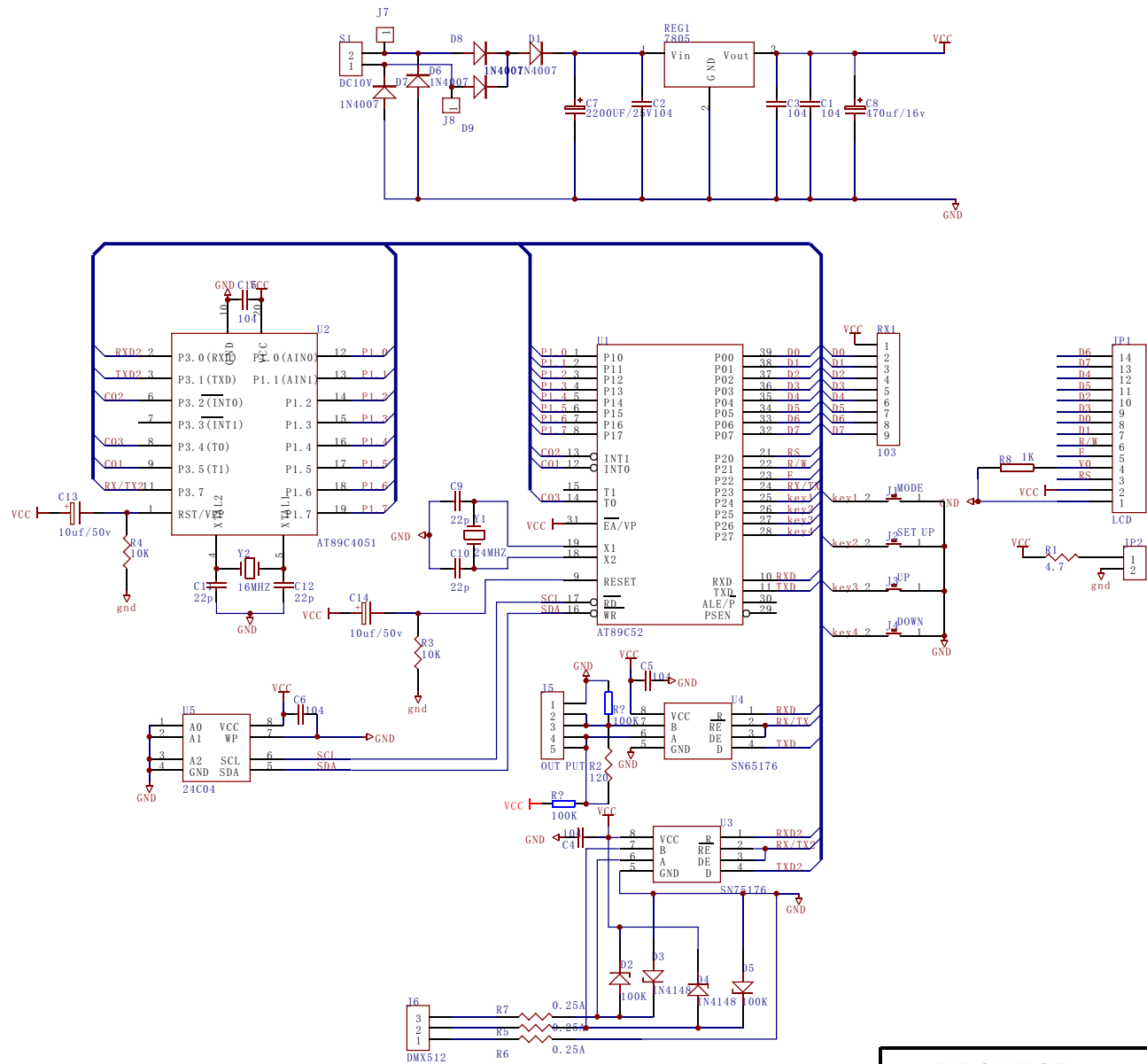
LED-028

DC10V

OUTPUT

DMX512

| | | | | | |
|----------|--|-------------------------------------|---|----------|------------|
| PRODUCT | | FUTURELIGHT LC-01 Controller | | | |
| PIC. NO. | | LC-01 ELECTRIC | | | |
| EDIT | | FILE NO. | | PAGE NO. | 2/3 |
| CHECK | | VERSION | A | DATE | 2008.07.12 |
| APPROVE | | ECN NO. | | DATE | |



| | | | | | |
|----------|--|------------------------------|----|----------|--------------|
| PRODUCT | | FUTURELIGHT LC-01 Controller | | | |
| PIC. NO. | | LED-028 SCHEME | | | |
| EDIT | | FILE NO. | | PAGE NO. | 3/3 |
| CHECK | | VERSION | NR | DATE | 2008. 07. 12 |
| APPROVE | | ECN NO. | | DATE | |