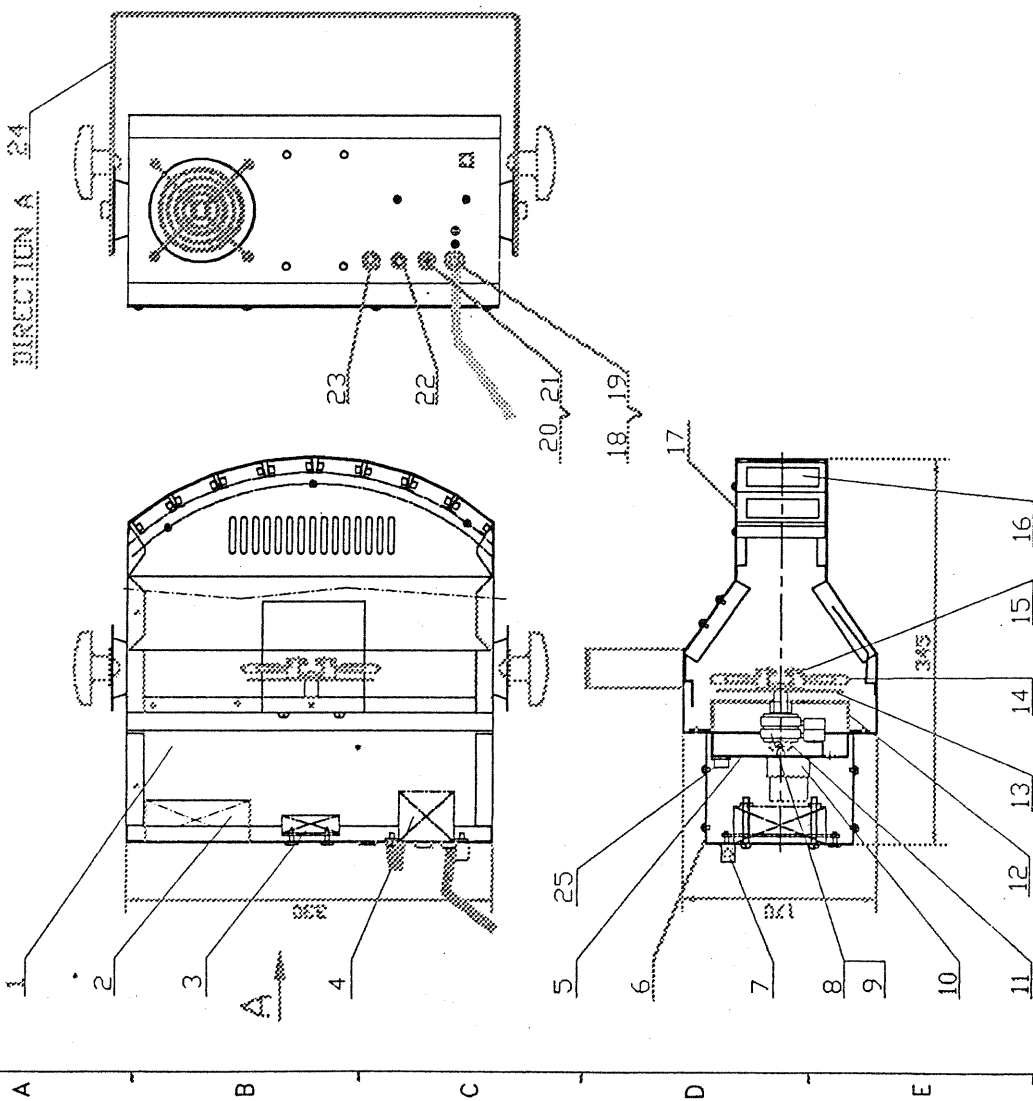


Title		SRL-439Z(ce)	
Size	Number	Revision	
A4			
Date:	30-Dec-1999	Sheet of	4
File:	C:\SAVER\SRL439Z.S01	Drawn By:	



NO.	DRAWING NO.	PART NAME	SPECIFICATION	QTY	REMARK
25		TEMPERATURE FUSE	US-602S	1	
24		HANDLE	3.0MM THK A3	1	
23		MIC		1	
22		VOLUME		1	
21		FUSE	VDE 5A/250V	1	
20		FUSEHOLDER	MF-527	1	
19		POWER PLUG	VDE TS-407 10/16A 250V	1	
18		POWER CABLE	VDE H05VV-F3X0.75mm ²	1	
17		COVER(2)	0.8MM THK A3	1	
16		LENS	325*+325*.40X80	8	
15		SOCKET	SC-108	2	
14		BULB	120V/300W	2	
13		SOCKET BRACKET	1.5MM THK A3	1	
12		NET SHADE	1.0THK NET BOARD	1	
11		SHAFT	AL	1	
10		MOTOR	DC12V/60RPM	1	
9		CARBON BRUSH	CARBON	2	
8		COLLECTOR	H62	2	
7		SAFE CLAMP	H62	1	
6		COVER(1)	0.8MM THK A3	1	
5		MOTOR BRACKET	1.5MM THK A3	1	
4		TRANSFORMER	230V/12V.20W	1	
3		PCB	K-18	1	
2		FAN	DC12V.92X92X25	1	
1		BOTTOM SHELL	0.8MM THK A3	1	

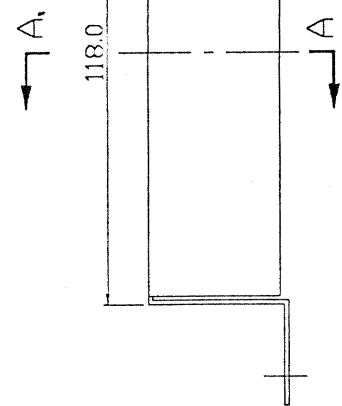
MATERIAL
 SCALE : 1:1
 UNLESS OTHERWISE SPECIFIED DIMENSIONS ARE IN MM
 TOLERANCES EXCEPT AS NOTED
 DECIMAL 1PL ±
 DECIMAL 2PL ±
 DECIMAL 3PL ±
 ANGLE 0PL ±
 ANGLE 1PL ±

QUANTITY 1 SHEET OF
 PART TITLE ASSEMBLE DRAWING
 PART NO. SRL-439-00
 PRODUCT TITLE
 DESD Y.L.JIN 7/7
 DRN
 CHKD
 APPD
 PRODUCT NO. SRL-439
 REV A

A B C D E F

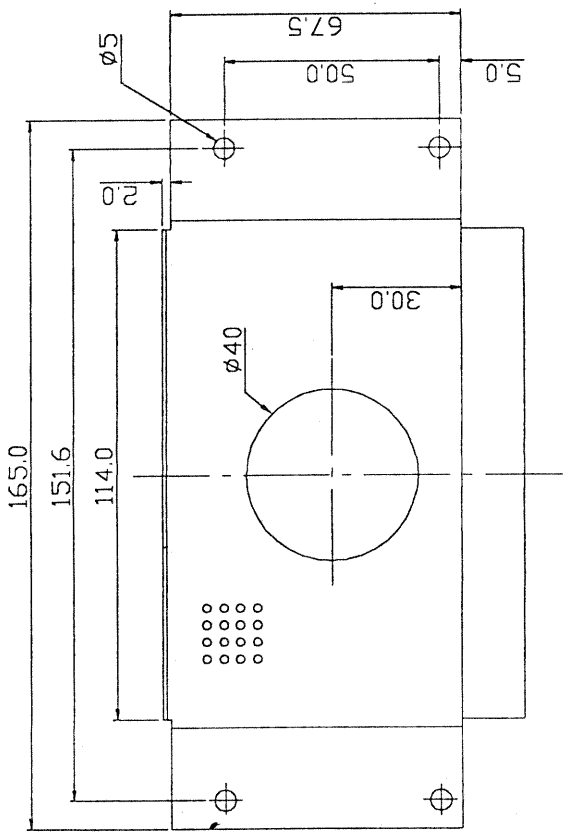
A B C D E F

1 2 3 4 5 6



A-A
69.5

TEMPERATURE FUSE



MATERIAL 1.0MM THK		QTY	28/5
QUANTITY 1		DATE	28/5
UNLESS OTHERWISE SPECIFIED DIMENSIONS ARE IN MM		PRODUCT TITLE	
TOLERANCES UNLESS NOTED		DATE	
DECIMALS	FRACTIONS	DESIGN	YLL
1/10	1/16	DRN	
1/100	1/32	CHKD	
1/1000	1/64	APPD	
SCALE 1:1		REV	
4		5	
		6	

52L-439

NO	DRAWING NO	PART NAME	SPECIFICATION	Q'TY	MANUFACTURER	APPROVAL/FILE NO	REMARK
1	SRL-443-A1	BOTTOM SHELL	0.8MM THK A3	1			
2		FAN	DC 12V 92x92x25	1		1-9562977-9511 TUV	
3		TRANSFORMER	230V/12V 20W	1			
4	SRL-443-B1-01	MOTOR BRACKET	1.5mm THK A3	1			
5	SRL-443-A2-01	COVER(1)	0.8MM THK A3	1			
6		SAFE CLAMP	H62	1			
7		COLLECTOR	H62	2			
8		CARBON BRUSH	CARBON	2			
9		MOTOR	DC12/60RPM	1			PURCHASED
10	SRL-443-B1-02	SHAFT	AL	1			
11		NET SHADE	1.0THK NET BOARD	1			
12		SOCKET BRACKET	1.5mm THK A3	1			
13		BULB	120V/300W J TPE	2			PURCHASED
14		LENS	325°+325° 40x80	8			PURCHASED
15	SRL-443-A2-02	COVER(2)	0.8MM THK A3	1			
16		PCB	S1142	1		E109769(N) UL	PURCHASED
17		POWER CABLE	VDE H05VV-F3x0.75mm ²	1		101898 VDE	PURCHASED
18		POWER PLUG	VDE TS-407 10/16A 250V	1		85757 VDE	PURCHASED
19		TEMPERATURE FUSE	T23A 60BCF250-8	1			PURCHASED
20		FUSEHOLDER	MF-527 VDE	1		L-03851 VDE	PURCHASED
21		FUSE	VDE 5A/250V	1		87887 VDE	PURCHASED
22		SOCKET	SC-108	2		E110882 UL	PURCHASED
23		VOLUME		1			PURCHASED
24	SRL-443-C1-01	HANDLE	3.0MM THK A3	1			PURCHASED

APPROVED BY:

CHECKED BY:

PREPARED BY:

