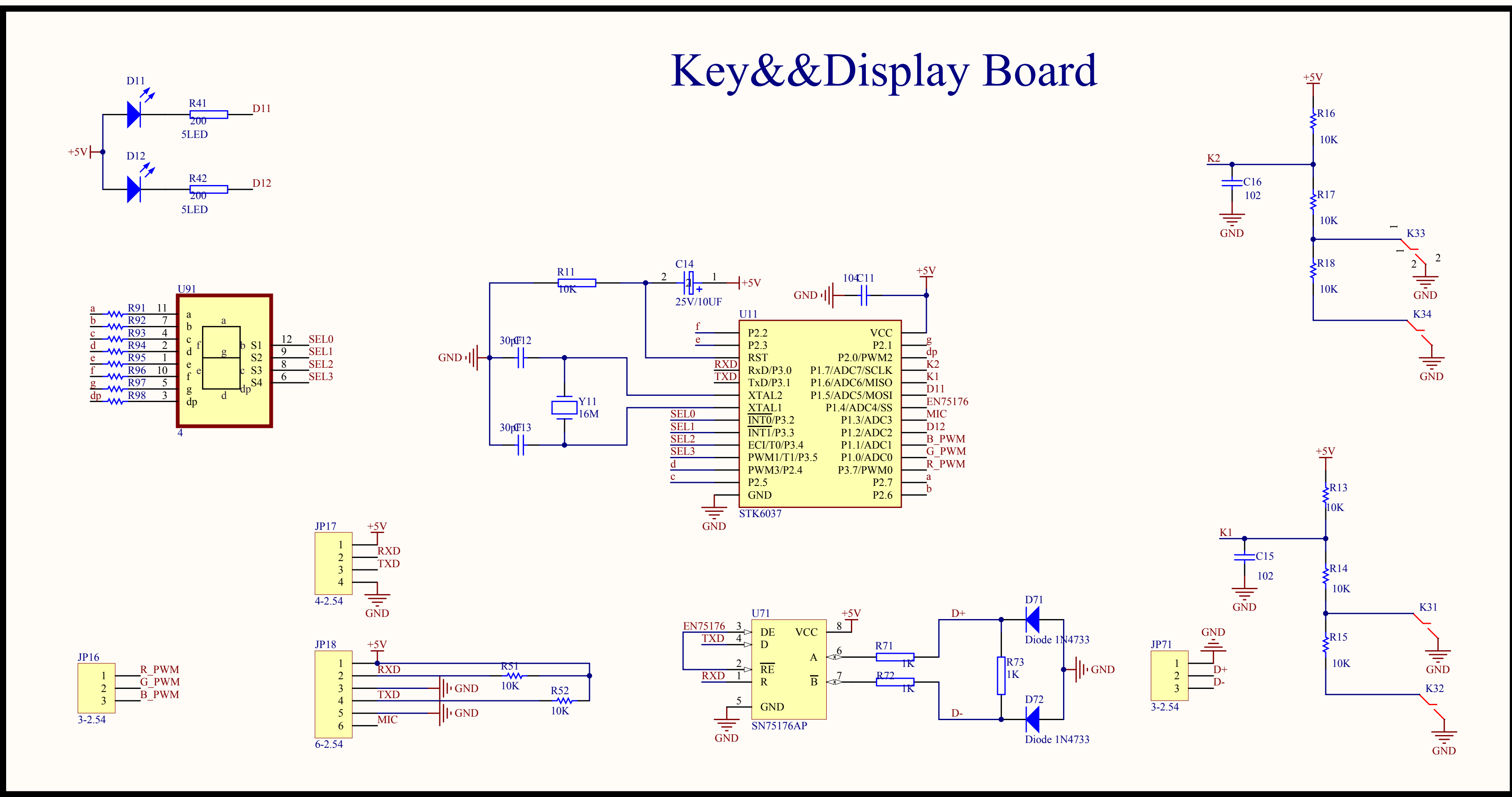
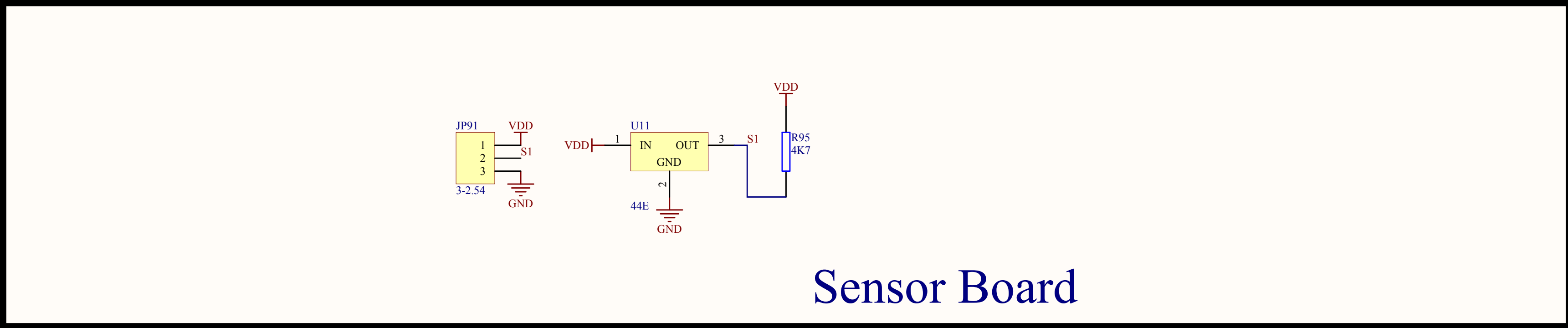


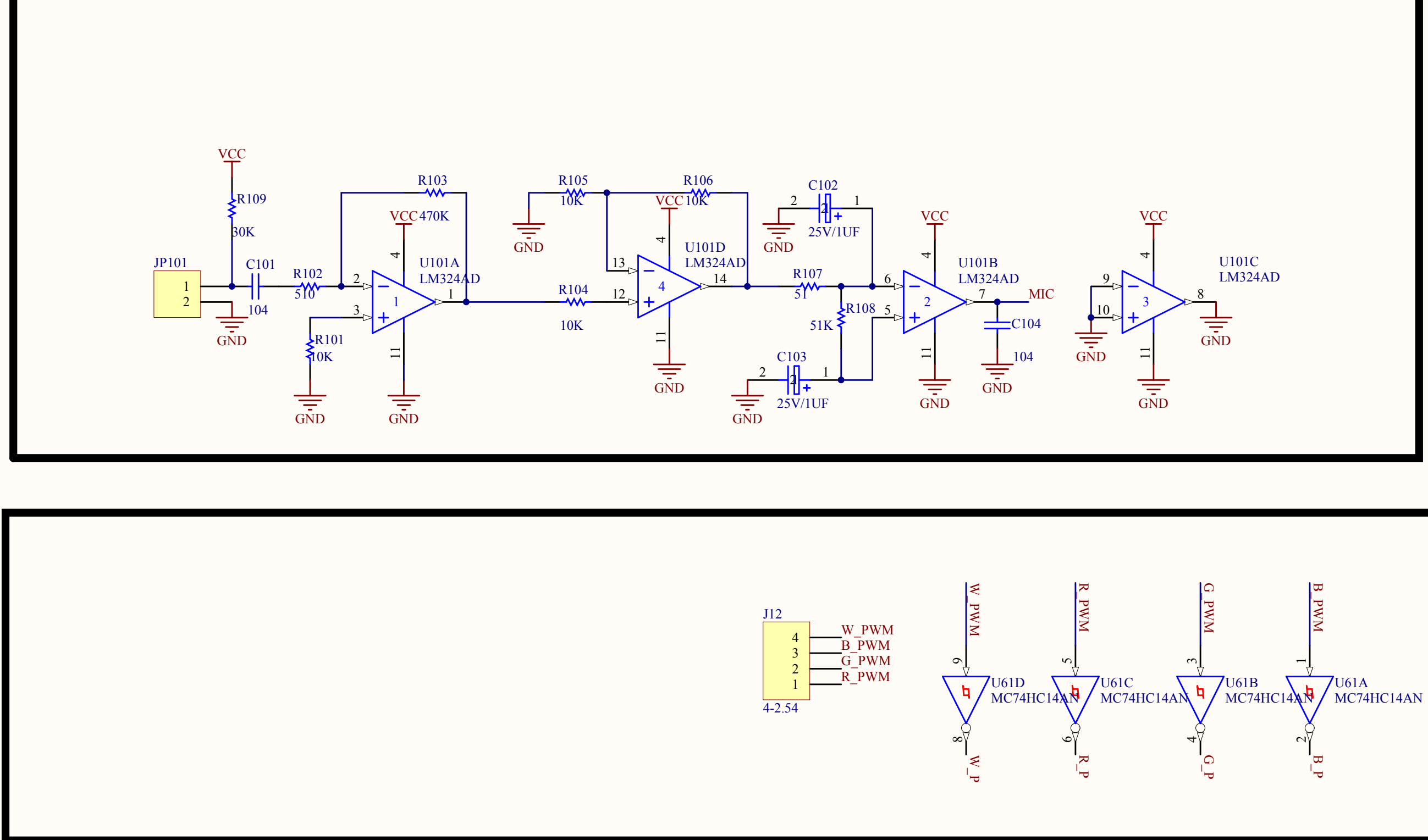
MainBoard



Key&&Display Board



Sensor Board



LED Drive Board

Title		
Size	Number	Revision
A2		
Date:	2012-7-3	Sheet of
File:	F:\20120609\12086100\By:	SchDoc