

SCHEMATIC SYMBOLS

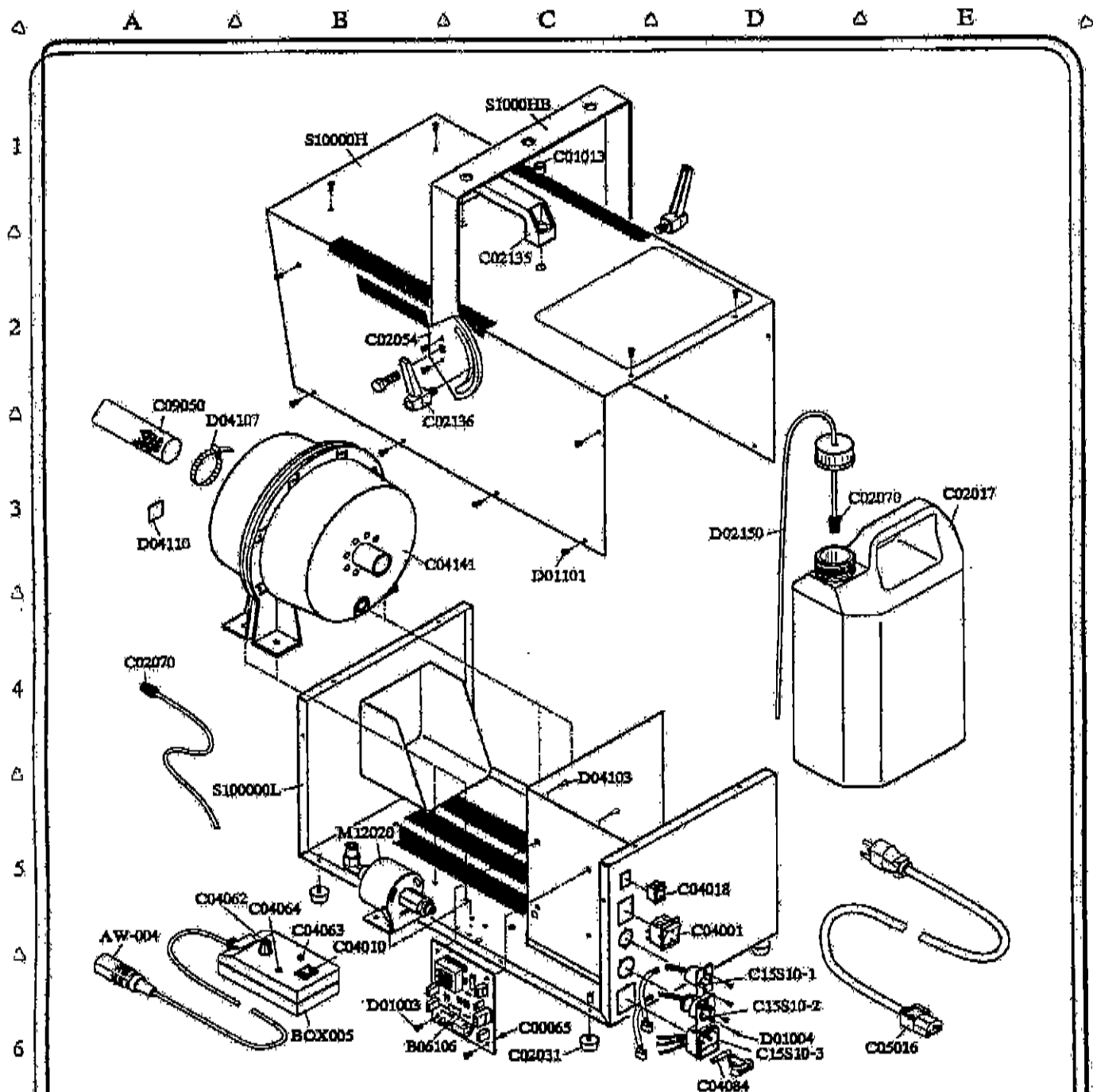


NO.	DESCRIPTION	QTY.	UNIT	REMARKS
1	HEATER	1	EA	
2	MOTOR	1	EA	
3	THERMAL RELAY	1	EA	
4	TRANSFORMER	1	EA	
5	FUSE	2	EA	
6	SWITCH	1	EA	
7	CONTACTOR	1	EA	
8	CONTACT	2	EA	
9	CONTACT	2	EA	
10	CONTACT	2	EA	
11	CONTACT	2	EA	
12	CONTACT	2	EA	
13	CONTACT	2	EA	
14	CONTACT	2	EA	
15	CONTACT	2	EA	
16	CONTACT	2	EA	
17	CONTACT	2	EA	
18	CONTACT	2	EA	
19	CONTACT	2	EA	
20	CONTACT	2	EA	
21	CONTACT	2	EA	
22	CONTACT	2	EA	
23	CONTACT	2	EA	
24	CONTACT	2	EA	
25	CONTACT	2	EA	
26	CONTACT	2	EA	
27	CONTACT	2	EA	
28	CONTACT	2	EA	
29	CONTACT	2	EA	
30	CONTACT	2	EA	
31	CONTACT	2	EA	
32	CONTACT	2	EA	
33	CONTACT	2	EA	
34	CONTACT	2	EA	
35	CONTACT	2	EA	
36	CONTACT	2	EA	
37	CONTACT	2	EA	
38	CONTACT	2	EA	
39	CONTACT	2	EA	
40	CONTACT	2	EA	
41	CONTACT	2	EA	
42	CONTACT	2	EA	
43	CONTACT	2	EA	
44	CONTACT	2	EA	
45	CONTACT	2	EA	
46	CONTACT	2	EA	
47	CONTACT	2	EA	
48	CONTACT	2	EA	
49	CONTACT	2	EA	
50	CONTACT	2	EA	

Check the components and their ratings before using them.

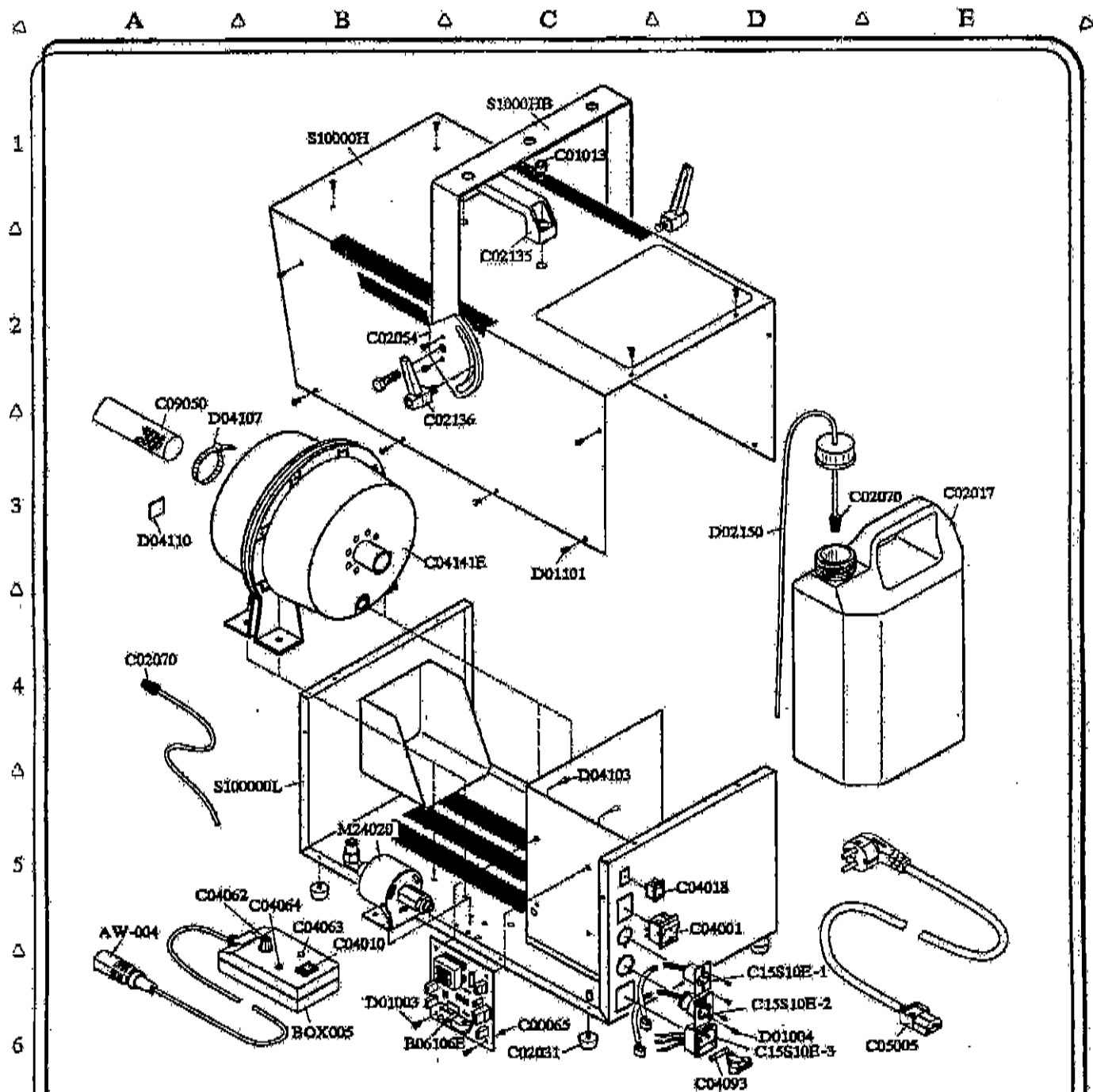






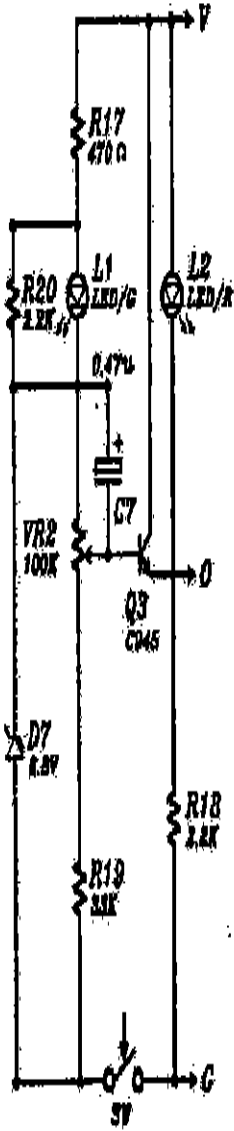
### SPARE PARTS OF S-100 (120V)

S10000L	Steel Case/Base	C02135	Handle	C15S10-1	Control Inlet Socket
S10000H	Steel Case/Cover	C02136	Tightening Screw	C15S10-2	Control Outlet Socket
S10000HB	Yoke	C04001	Rocker Switch/Power	C15S10-3	Power Inlet Socket & Fuseholder
AW-004	Cable For Remote Control	C04010	Rocker Switch/Snowing	D01003	M4x12L Screw
BOX005	Controller Case	C04018	Rocker Switch/Volume	D01004	M3x8L Screw
B06106	P.C. Board	C04062	Knob	D01101	M4x8L Screw
C00065	P.C.B Fastening Screw Collar	C04063	Pilot Lamp Red	D02150	Pu Tube
C01013	M8x12L Screw	C04064	Pilot Lamp Green	D04103	P.C.B Fastening Pin
C02017	Tank	C04084	Fuse (T10A/120V)	D04107	Belted
C02031	Foot	C04141	Air Blower	D04110	Tube Belted
C02054	Angle Guide	C05016	Cable & Plug	M12020	Pump
C02070	Filter	C09050	Net Nozzle		

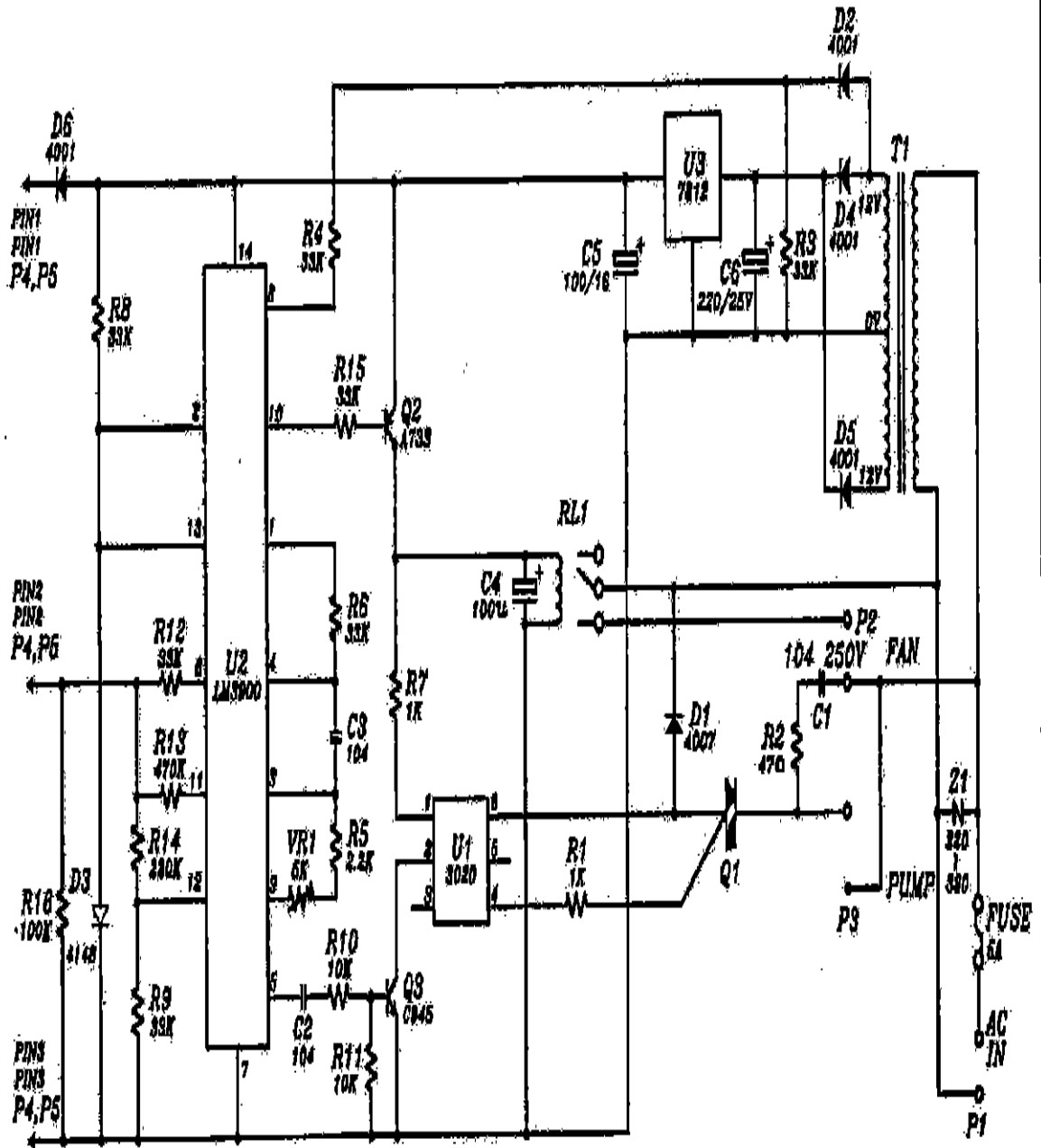


**SPARE PARTS OF S-100 (230V)**

S10000L	Steel Case/Base	C02135	Handle	C15S10E-1	Control Inlet Socket
S10000H	Steel Case/Cover	C02136	Tightening Screw	C15S10E-2	Control Outlet Socket
S10000HB	Yoke	C04001	Rocker Switch/Power	C15S10E-3	Power Inlet Socket & Fuseholder
AW-004	Cable For Remote Control	C04010	Rocker Switch/Snowing	D01003	M4x12L Screw
BOX005	Controller Case	C04018	Rocker Switch/Volume	D01004	M3x8L Screw
B06106E	P.C Board	C04062	Knob	D01101	M4x8L Screw
C00065	P.C.B Fastening Screw Collar	C04063	Pilot Lamp Red	D02150	Fu Tube
C01013	M8x12L Screw	C04064	Pilot Lamp Green	D04103	F.C.B Fastening Pin
C02017	Tank	C04093	Fuse (T5A/230V)	D04107	Belted
C02031	Foot	D04141E	Air Blower	D04110	Tube Belted
C02054	Angle Guide	C05005	Cable & Plug	M24020	Pump
C02070	Filter	C09050	Net Nozzle		



PCB No.SP-100B

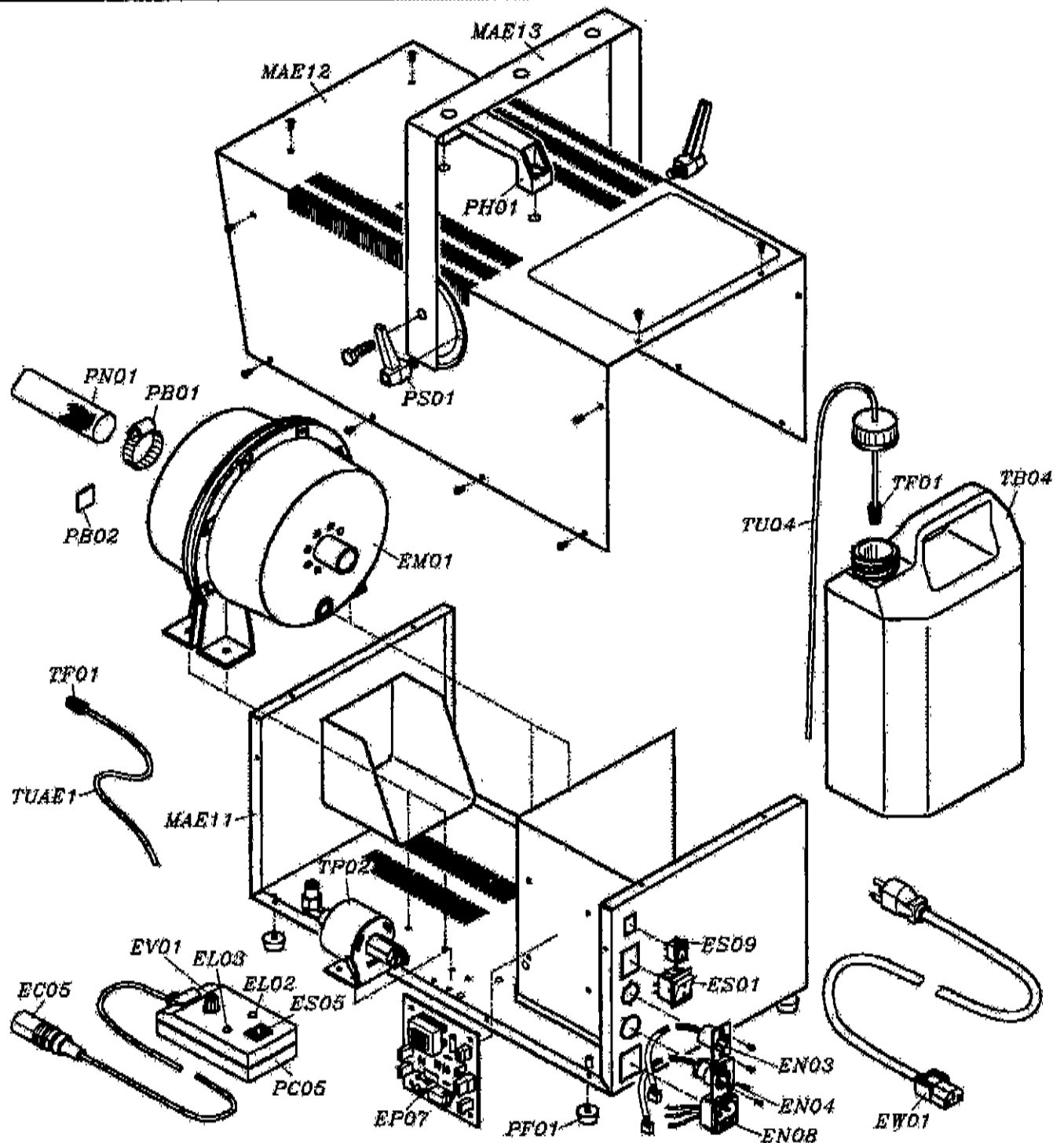


PCB No.SP-100A

S-100 Electric Circuit Diagram

PCB No. SP-100A  
PCB No. SP-100B

DWG No.FAE014



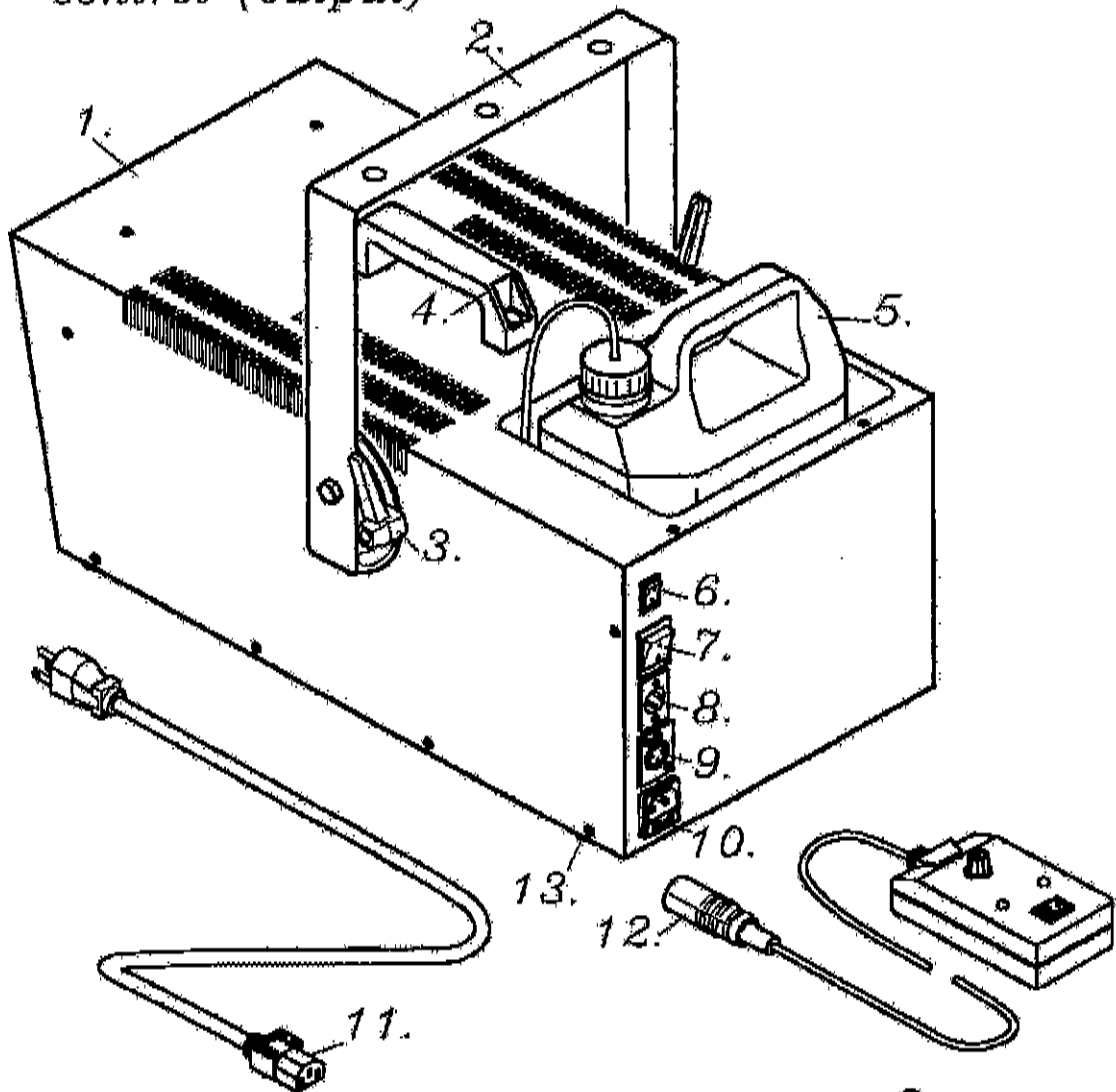
### SPARE PARTS OF S-100

MAE11 Steel Case/Base  
 MAE12 Steel Case/Cover  
 MAE13 Hanging Bracket  
 TB04 Tank & Cap  
 TF01 Filter  
 TP02 Pump  
 TU04 Pu Tube Of Pump  
 TUAE1 Pu Tube Of Motor  
 EC05 Cable For Remote Control  
 EL02 Pilot Lamp Red  
 EL03 Pilot Lamp Green  
 EM01 Motor  
 EN03 Connector Of Control/Output  
 EN04 Connector Of Control/Input

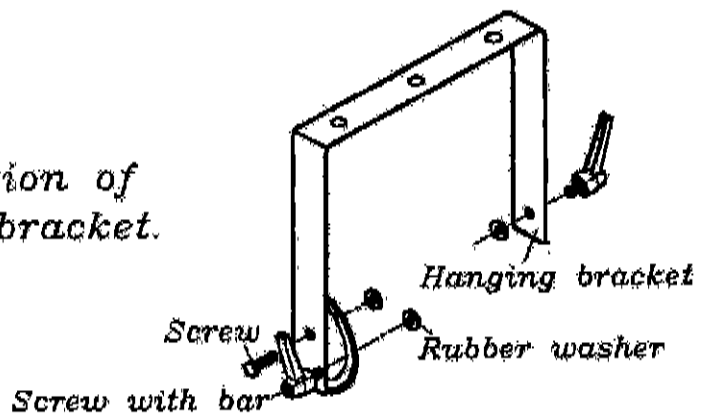
EN08 Connector Of Power  
& Fuse  
 EP07 P.C Board  
 ES01 Power Switch  
 ES05 Snow Switch  
 ES09 Volume Switch  
 EV01 VR  
 EW01 Cable & Plug 115V  
 PB01 Belted  
 PB02 Tube Buckle  
 PC05 Controller Case  
 PF01 Foot  
 PH01 Handle  
 PN01 Net Nozzle  
 PS01 Screw With Bar

## S-100 OUTWARD COMPOSITION:

- |  |   |
|--|---|
| 1. Body                                      | 9. Connector for remote<br>-control (input) |
| 2. Hanging bracket                           | 10. Connector for power<br>& fuse           |
| 3. Screw with bar                            | 11. Power cord                              |
| 4. Handle                                    | 12. Wired remote control                    |
| 5. Tank                                      | 13. Foot                                    |
| 6. Volume switch                             |   |
| 7. Power switch                              |   |
| 8. Connector for remote<br>-control (output) |   |



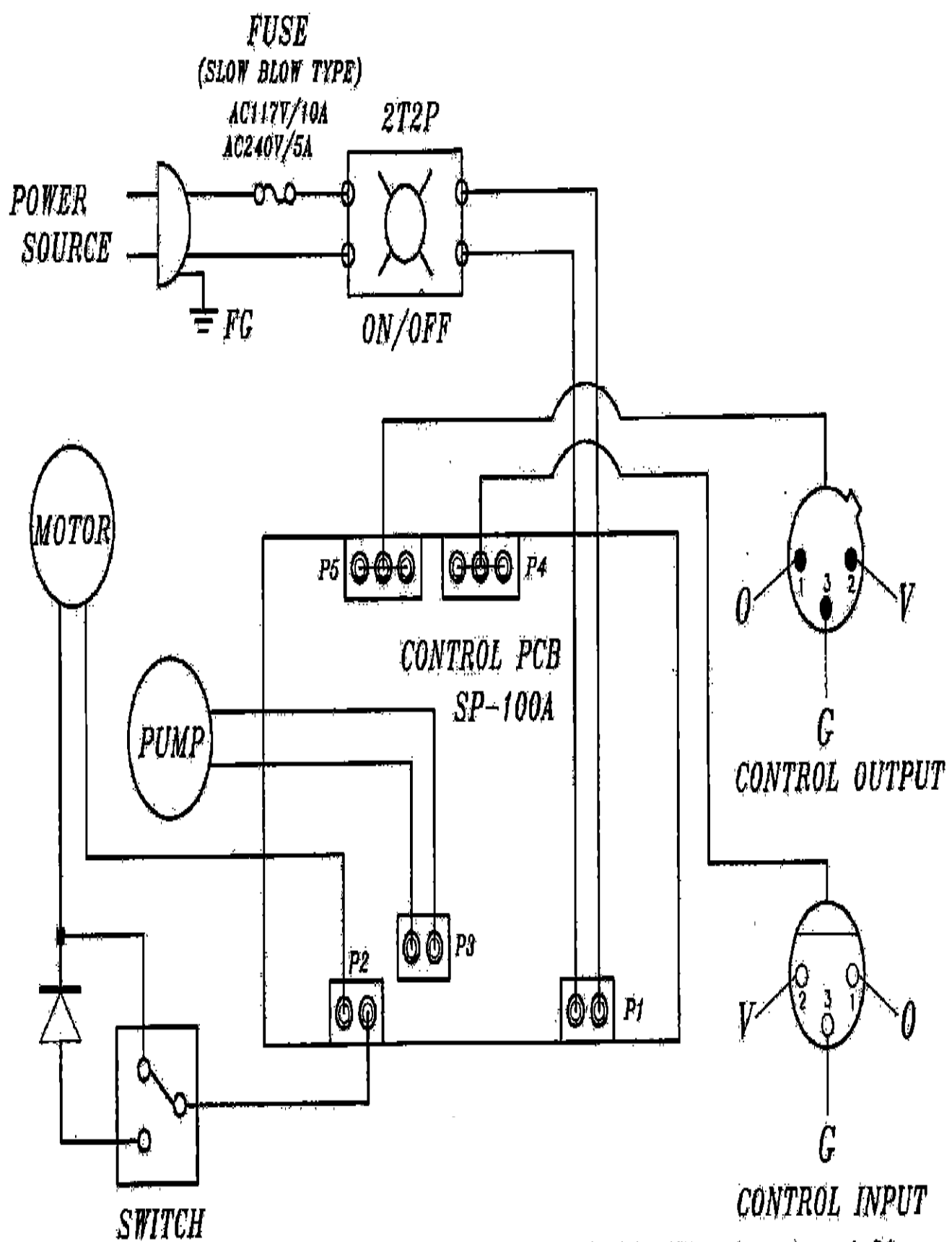
To compose position of  
the hanging bracket.





1 | 2 | 3 | 4 | 5 | 6 | 7 | 8

F  
E  
D  
C  
B  
A



S-100 Wire Assortment Diagram

DWG No. FAE015