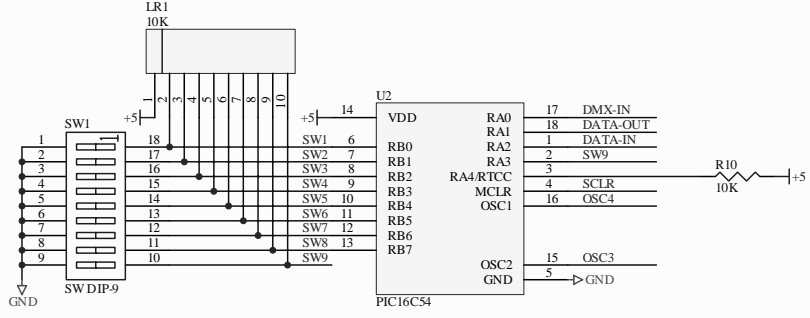
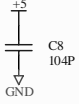
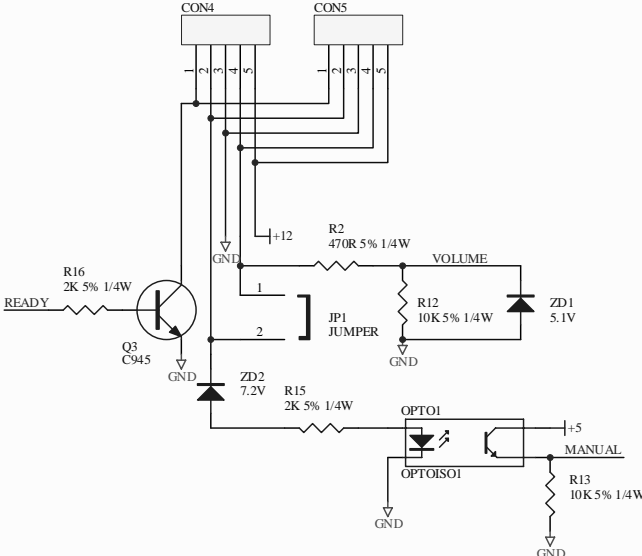
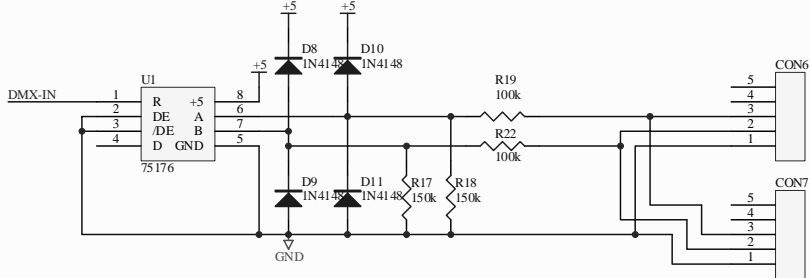
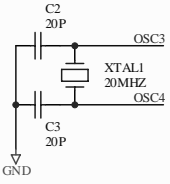
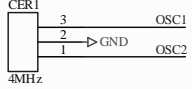
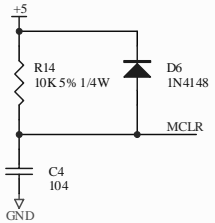
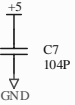
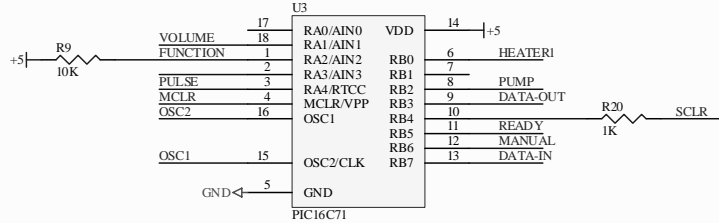


SP101B2
SP101B2.sch

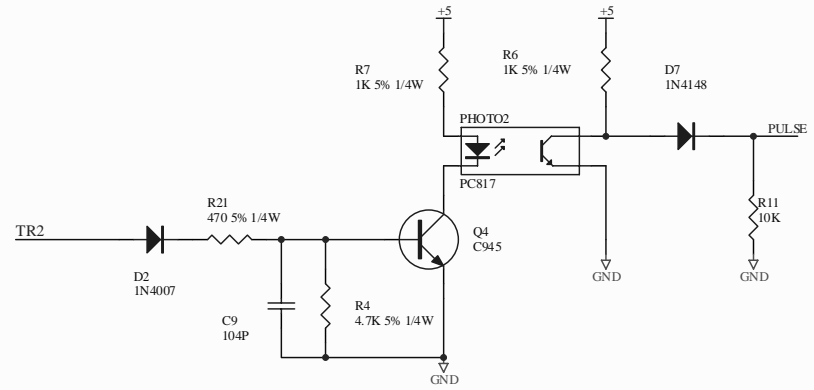
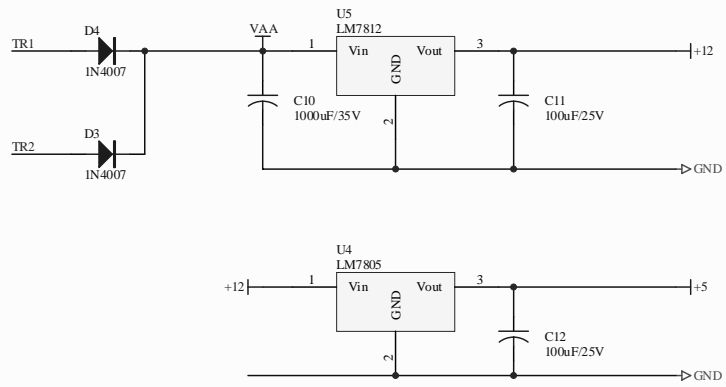
SP101B3
SP101B3.sch



Title S-102		
Size B	Number	Revision V2
Date: 2003/9/2	Sheet of	
File: D:\WORK\DXP\PCB\B06503\SP101B1.sch	Drawn By:	



Title		S-102	
Size	Number	Revision V2	
Date:	2003/9/2	Sheet of	
File:	D:\WORK\DXP\PCB\B06503\SP101B2.sch	Drawn By:	



Title S-102		
Size B	Number	Revision V1
Date: 2003/9/2	Sheet of	
File: D:\WORK\DXP\PCB\B06503\SP101B3.sch	Drawn By:	