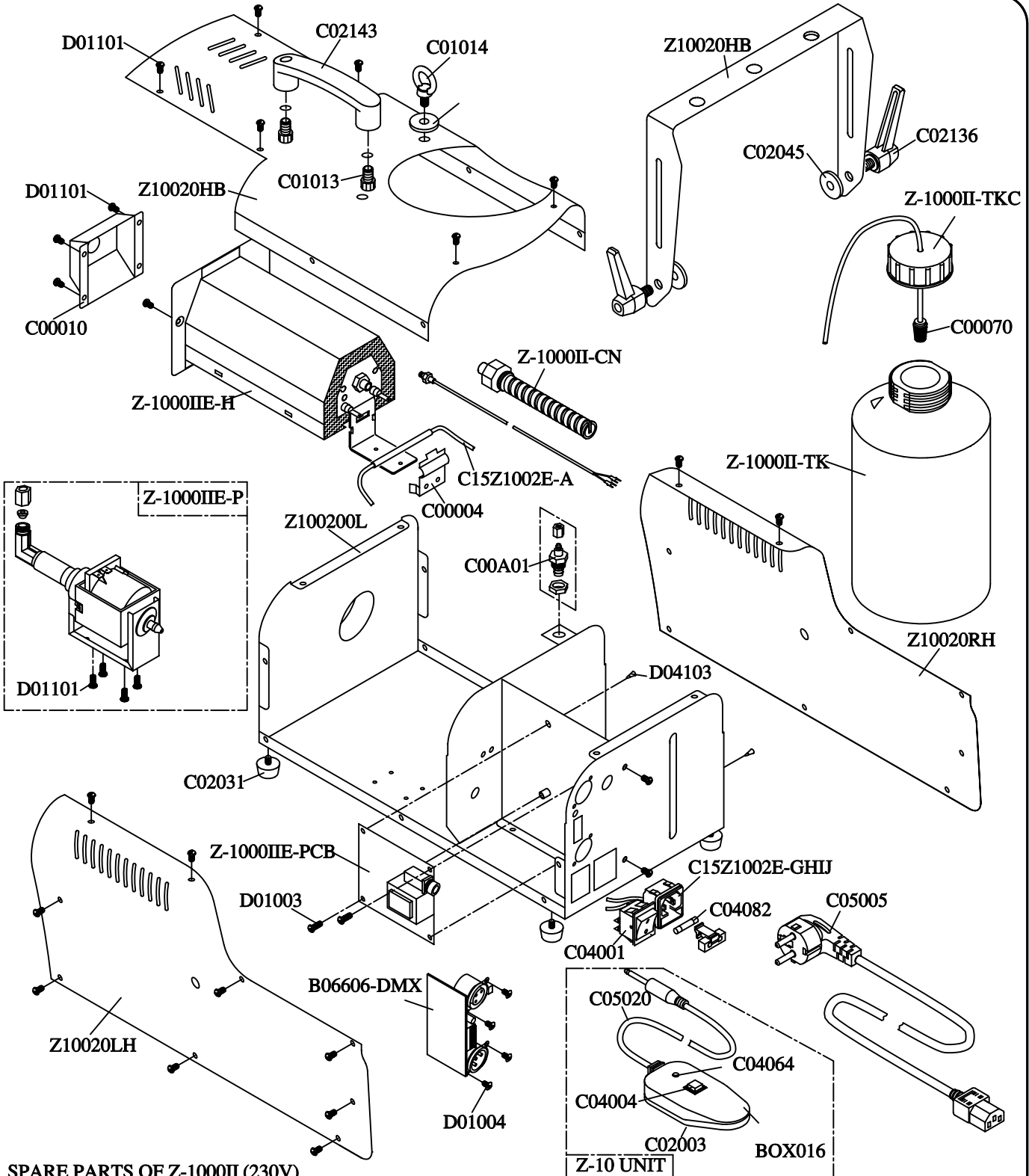


A      B      C      D      E

1  
2  
3  
4  
5  
6  
7  
8



**SPARE PARTS OF Z-1000II (230V)**

Z10020LH	Side Panel/Left	C02003	Magnetized Rubber	D01003	M4x12L Screw
Z10020RH	Side Panel/Right	C02031	Foot	D01004	M3x8L Screw
Z100200L	Steel Case/Base	C02045	Washer	D01101	M4x8L Screw
Z100200H	Steel Case/Cover	C02143	Handle	D04103	P.C.B Fastening Pin
Z10020HB	Hanging Bracket	C02136	Tightening Screw	Z-10 Unit	Wired Remote Control
B06606-DMX	P.C Board(DMX)	C04001	Rocker Switch/Power	Z-1000II-CN	Heater Core
BOX016	Controller Case	C04004	Push Button/Fogging	Z-1000II-E-H	Heater (Group)
C00004	Buckle	C04064	Pilot Lamp/Green	Z-1000II-E-P	Pump (Group)
C00010	Nozzle Plate	C04082	Fuse (F5A /230V)	Z-1000II-PCB	PC Board (Main)
C00070	Filter	C05005	Cable & Plug	Z-1000II-TK	Tank(Group)
C00A01	Adaptor With Nut	C05020	Cable For Remote Control	Z-1000II-TKC	Tank's cap
C01013	M8x12L Screw	C15Z1002E-A	Temperature Fuse		
C01014	M8 Screw	C15Z002E-GHIJ	Power Inlet Socket & Fuseholder		