



# DarkFX Strip 510

## User Manual



**English**



# **DarkFX**

## **Strip 510**

**User Manual · English**

### **Safety Information**



Please read the following safety information carefully before operating the fixture. Information includes important safety information about installation, usage, and maintenance. Pay attention to all warning labels and instructions in this manual and printed on the fixture.



**CAUTION**

HIGH INTENSITY 365nm ULTRAVIOLET LIGHT  
RISK OF EXPOSURE TO ULTRAVIOLET RADIATION  
AVOID DIRECT EYE AND SKIN EXPOSURE  
DO NOT OPERATE FIXTURE WITHOUT EXTERNAL COVER AND  
PROTECTIVE LENS INSTALLED.  
DO NOT OPERATE FIXTURE WITH DAMAGED EXTERNAL COVER AND/OR  
PROTECTIVE LENS.

If you have questions about how to operate the fixture safely, please contact your local Antari dealer for help.

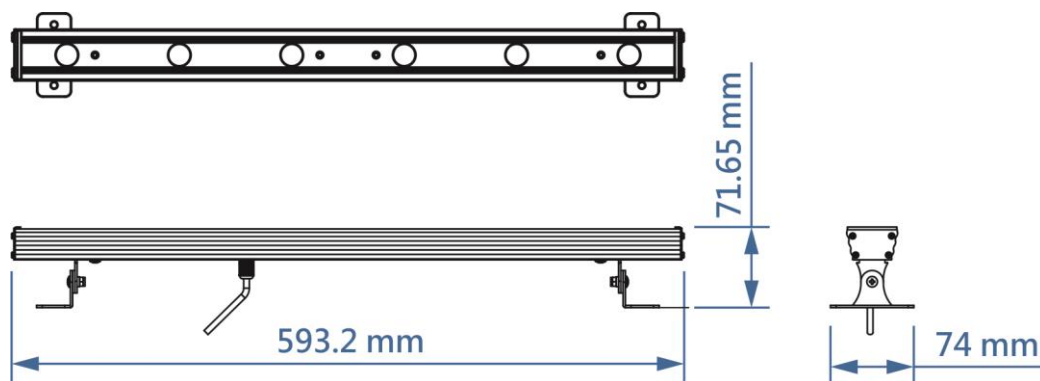
- Never look directly into the light source.
- Do not connect device to dimmer pack.
- Make sure power cord is never crimped or damaged.
- This fixture is design to use with DarkFX Drive 4
- No user serviceable and modifiable parts inside. Never try to repair this product, unauthorized repair may lead to fixture damage and or malfunction.
- Make sure there are no flammable materials close to the fixture while operating.
- If the fixture fails to work, unplug the fixture and stop operation immediately. Contact your local Antari dealer for advise.

## Unpacking and Inspection

Immediately upon receiving the fixture, carefully unpack the carton, check all content to ensure that all parts are present and have been received in good condition. If any parts appear damaged or mishandled from shipping, notify the shipper immediately and retain the packing material for inspection.

**What is included:** 1 x DarkFX Strip 510 UV Light  
1 x User Manual

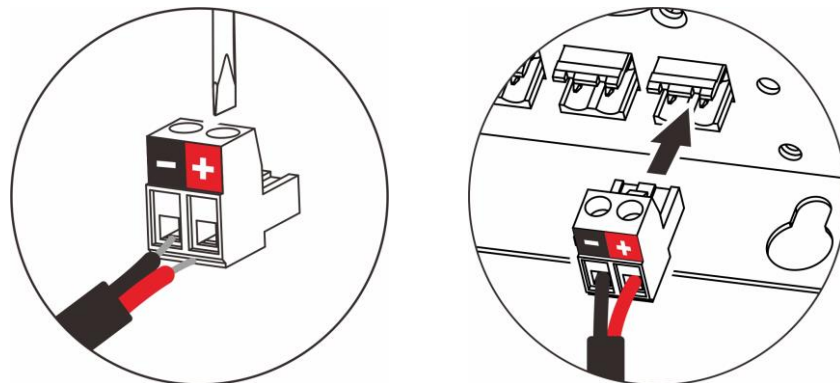
## Product Dimension



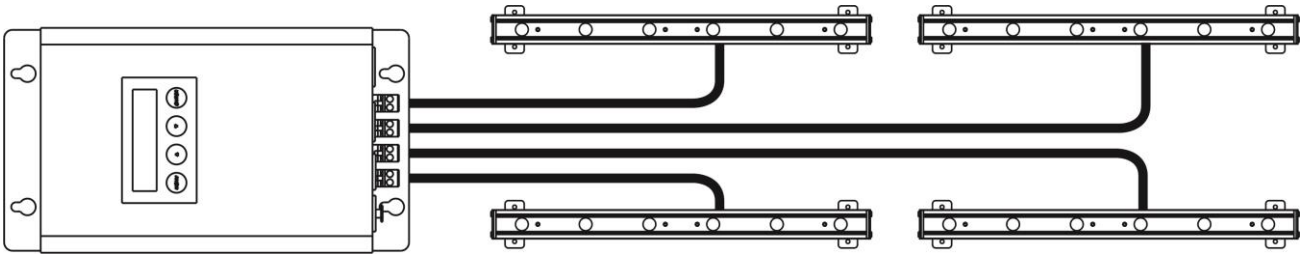
## Installation

The DarkFX Strip 510 fixture should be connected to DarkFX Drive 4 driver. Refer to DarkFX Drive 4 user manual for full details of mains power requirements and DMX operation.

See below diagram for wiring:



DarkFX Strip 510 is wired to output terminal of DarkFX Drive 4. Each output terminal can connect one DarkFX Strip 510 fixture.



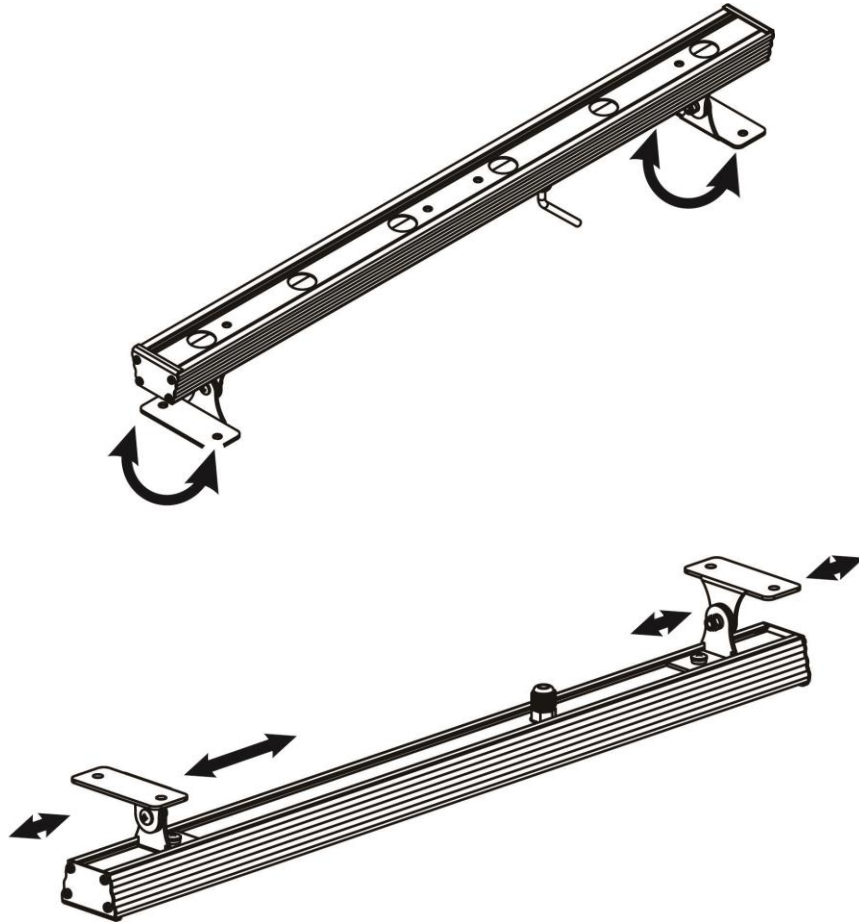
### ***Physical Installation***

#### ***Important***

- *Use supplied mounting bracket or rigging clamp to install fixture.*
- *Make sure installation location, fastening connecting, and rigging hardware can hold at least 10 times the weight of the fixture.*
- *Make sure no combustible or flammable material nearby.*
- *Secure each fixture with an approved safety cable that can hold at least 10 times the weight of fixture.*
- *Make sure fixture installed in a well ventilated area.*
- *Consider lamp replacement and routine maintenance access when selecting installation location.*

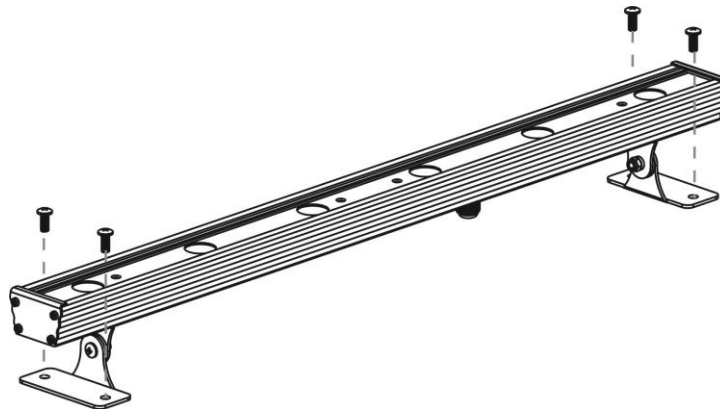
### ***Adjustable Mounting Bracket***

Adjust mounting bracket by loosening gear screw, set the fixture to desire angle and tighten the gear screw to finish adjustment. Illustration below demonstrates how to adjust mounting bracket.



**Mounting**

Use screws for surface mounting.



**For surface mounting**

## Service and Maintenance

***Important! Smoke fluid residue, dust and any excessive particle residue will degrade product performance, cause overheating and damage fixture. Damages caused by inadequate cleaning or maintenance are not covered by product warranty.***

### ***Cleaning***

- Unplug fixture from DarkFX Drive 4 before starting.
- Use vacuum or air compressor and soft brush to remove dust on components and vents.
- Clean fixture with a moist, lint-free cloth.
- Never use alcohol or solvents.

## Technical Specifications

<b>Input voltage</b>	DC20-24V
<b>Power</b>	12W @ 500mA
<b>LED</b>	6 x 1.9W High Power UV LED
<b>Optics</b>	25 degrees
<b>Output</b>	4500 mW
<b>Project lamp life</b>	20,000 hrs L70 at 25C
<b>Color range</b>	365nm
<b>Cable connection</b>	22 AWG wire cable
<b>Housing</b>	Aluminum extrusion
<b>Protection rating</b>	IP-20 Indoor use only
<b>Dimension</b>	L 593.2 x W 74 x H 72.3 mm
<b>Dry weight</b>	1.08 kg

***DarkFX***  
***Strip 510***

C08DFX510