

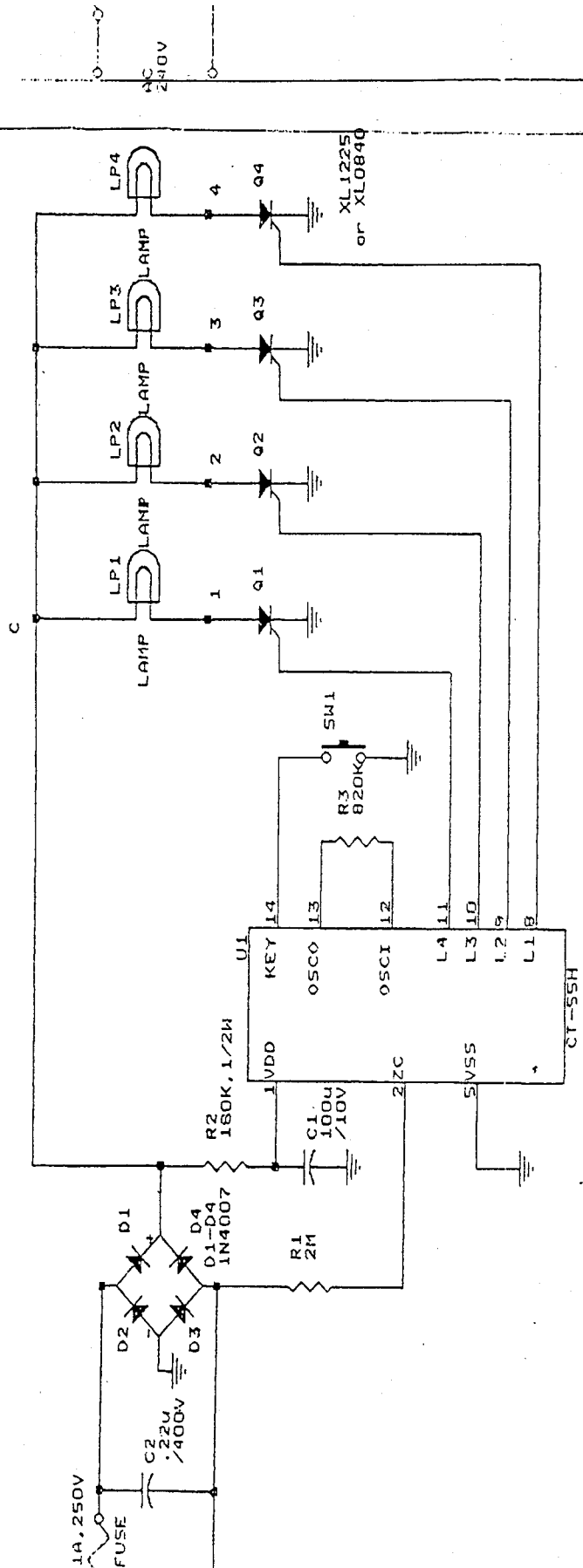
eurolite

**Rubberlight
RL2-230**

Service-manual

Serviceunterlagen

Documents techniques



Title	
Size	Document Number
A	X'mas LAMP CONTROL BOX LS-11CE
Date:	February 8, 1998 Sheet 1 of 1
REV	1