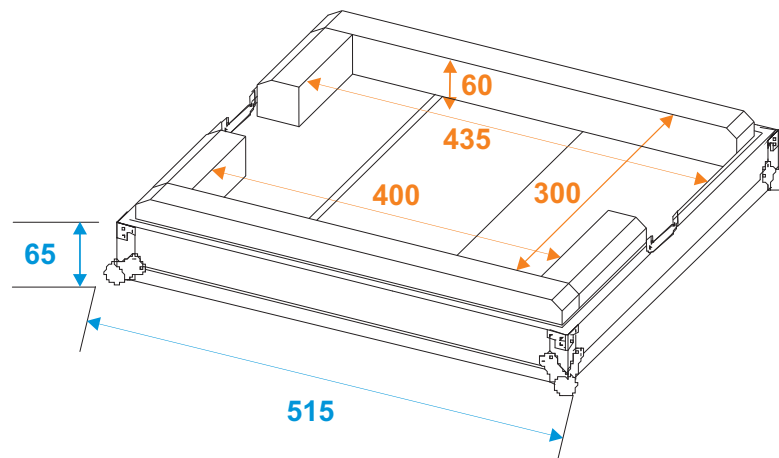
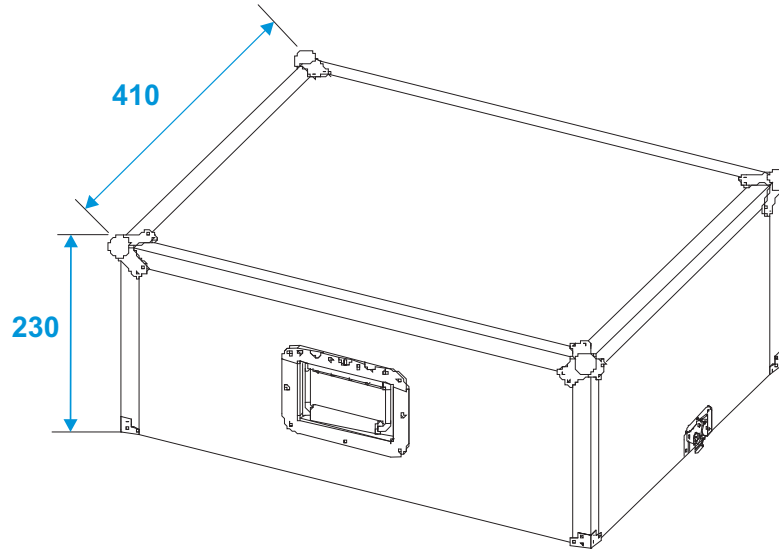


Flightcase

31005099

Flightcase 1xNSF-350



*all dimensions in millimeters