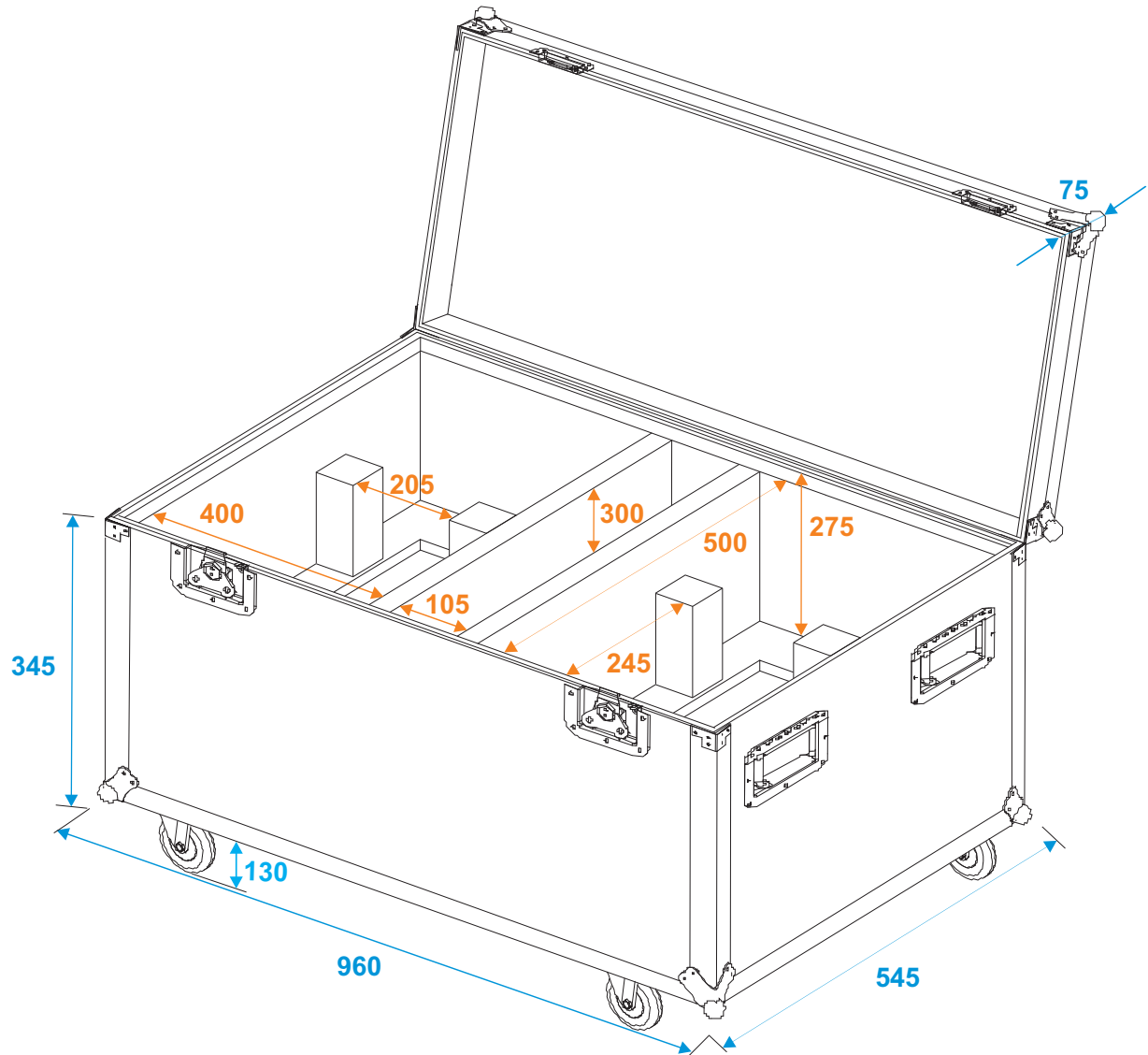


# Flightcase

31005097

Flightcase 2xTHA-250F



\*all dimensions in millimeters