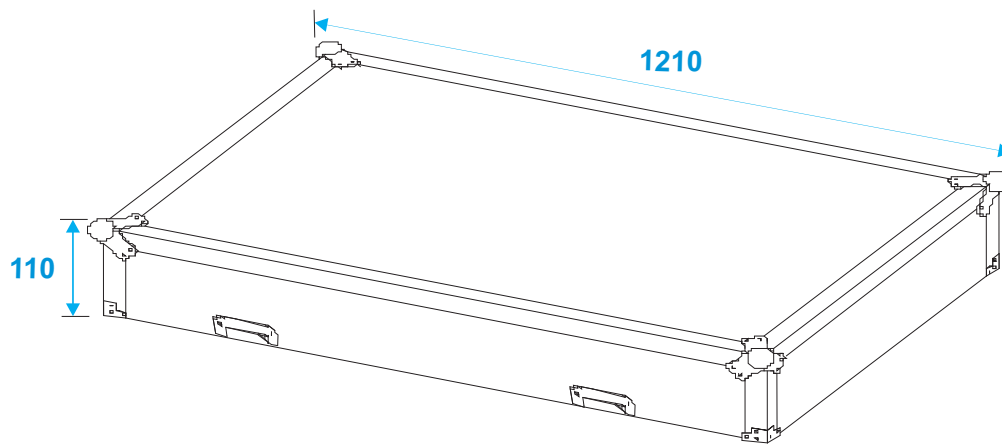


# Flightcase

**31000819** Top section for transport case T-16



\*all dimensions in millimeters