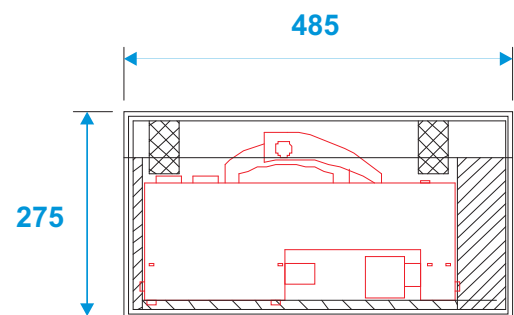
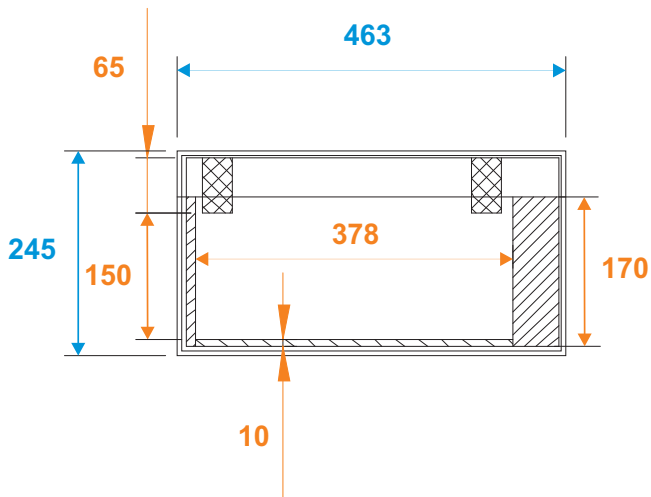
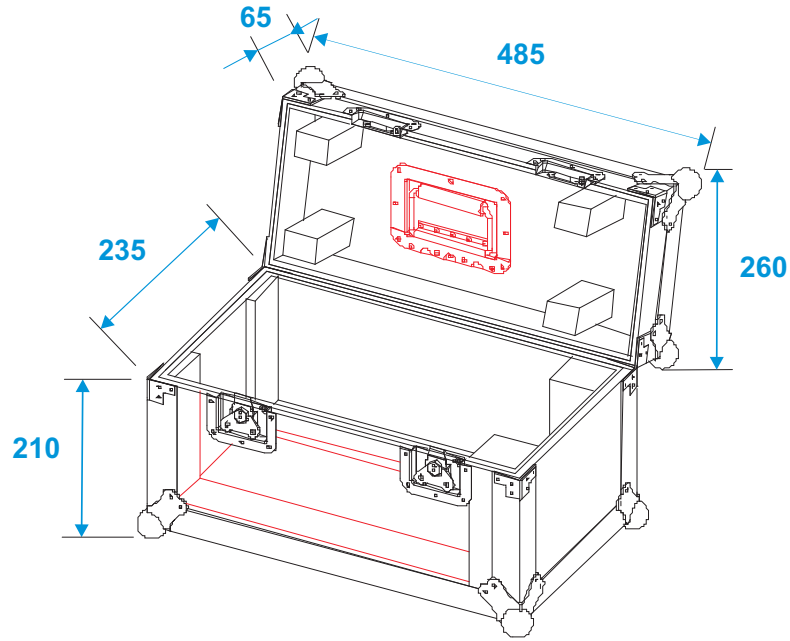


Flightcase

31000630

TSL-100/200



*all dimensions in millimeters