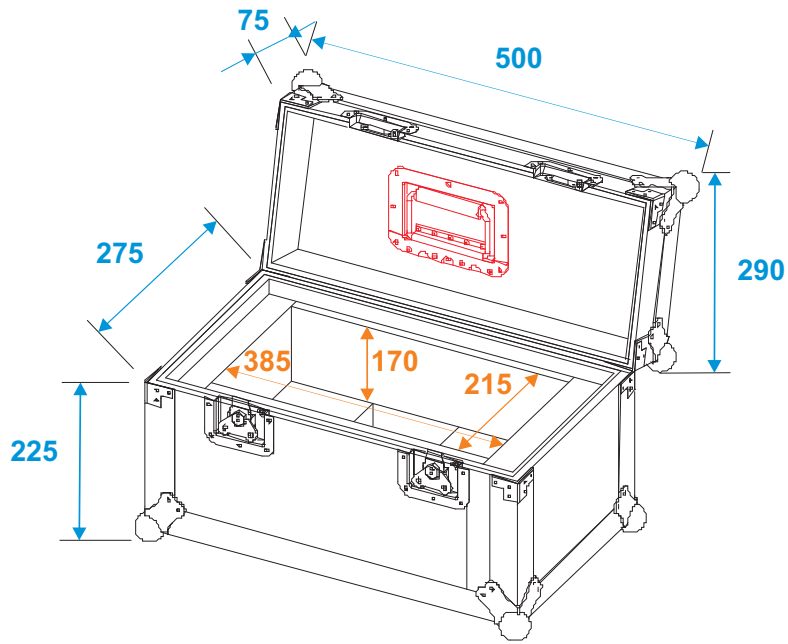


# Flightcase

31000630

TSL-100/200



\*all dimensions in millimeters