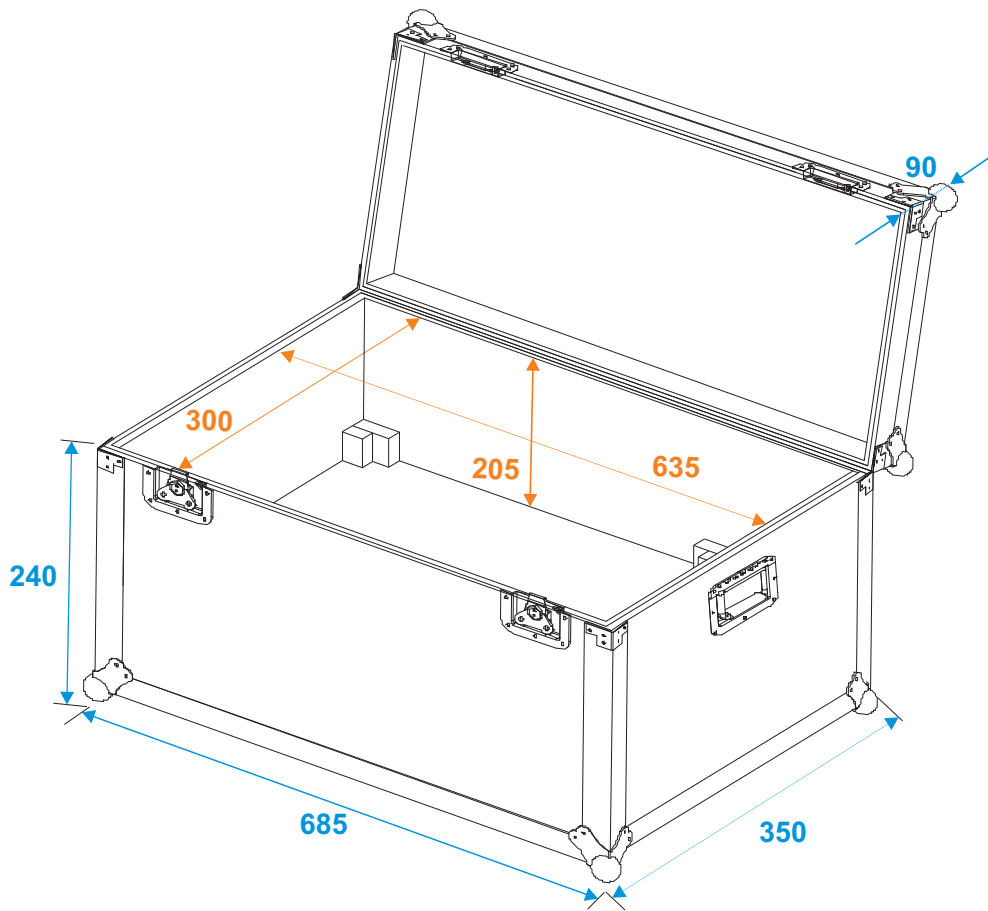




# Flightcase

**31000105** Flightcase for X-510/X-510II



\*all dimensions in millimeters