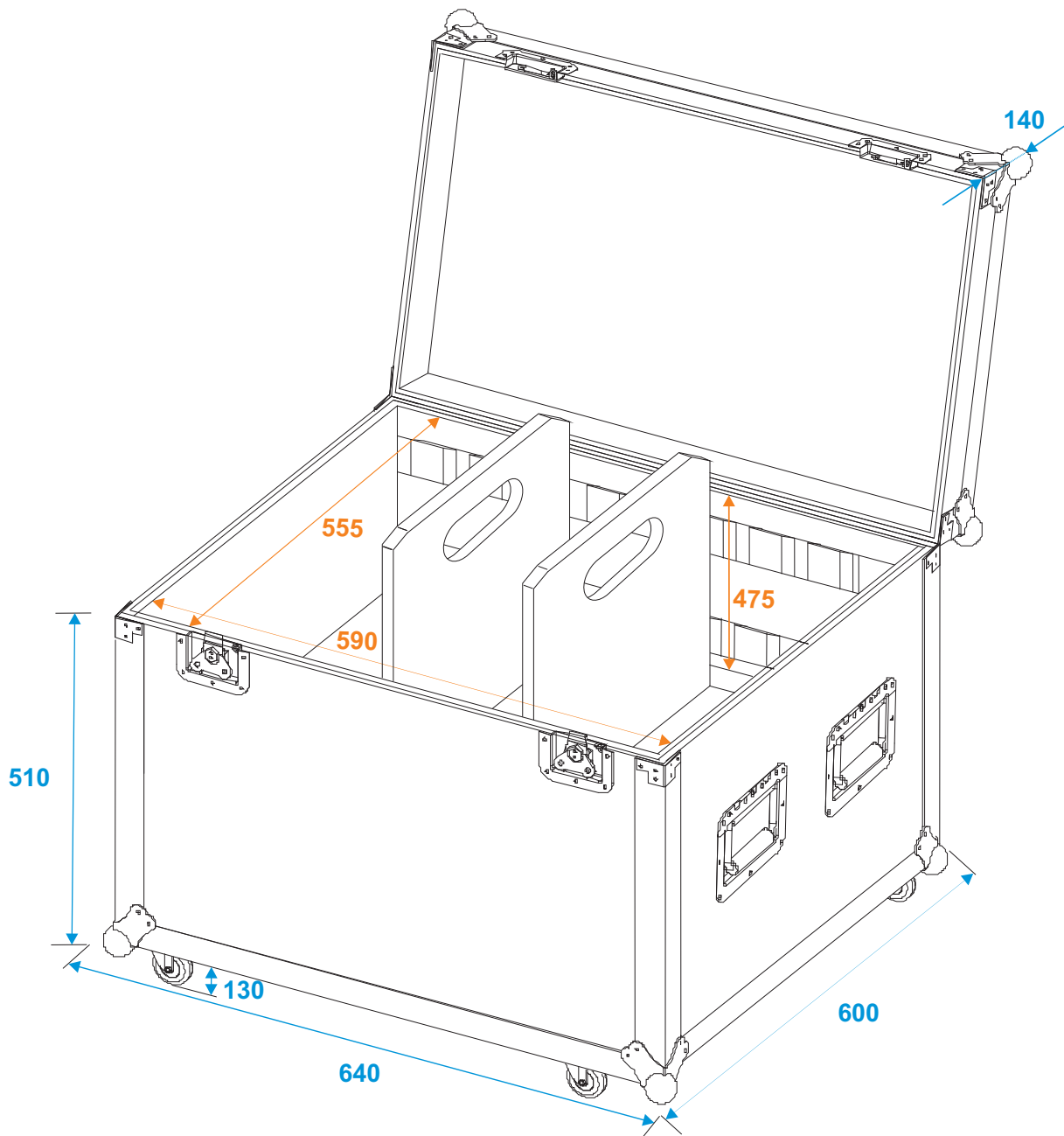




# Flightcase

**30126415** Universal tour case with castors



\*all dimensions in millimeters