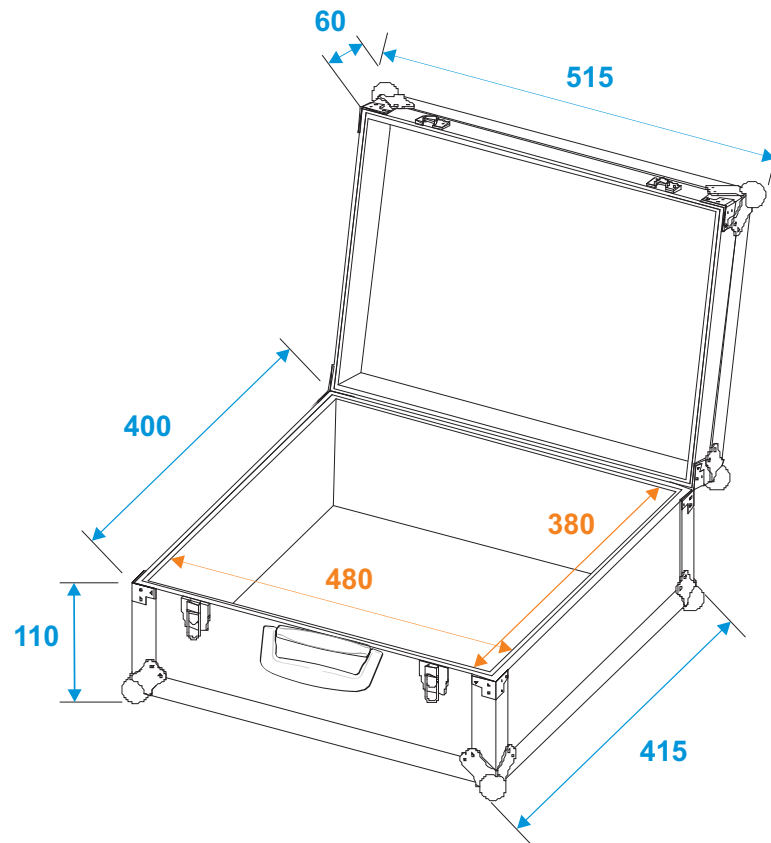




Flightcase

30126211 Universal case FOAM,GR-1



*all dimensions in millimeters

