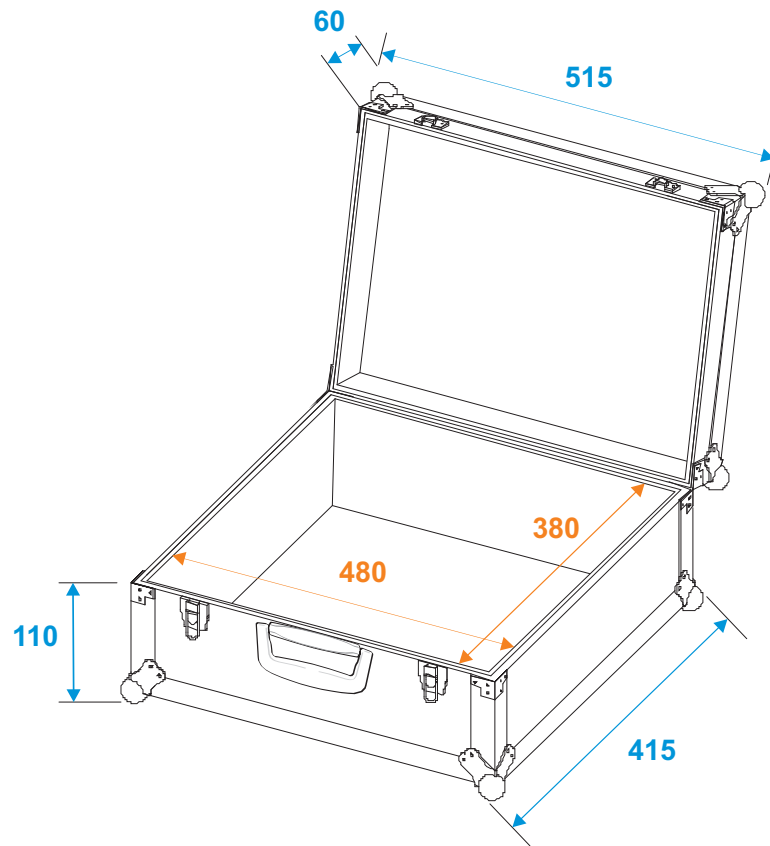




Flightcase

30126209 Universal case FOAM GR-1



*all dimensions in millimeters

