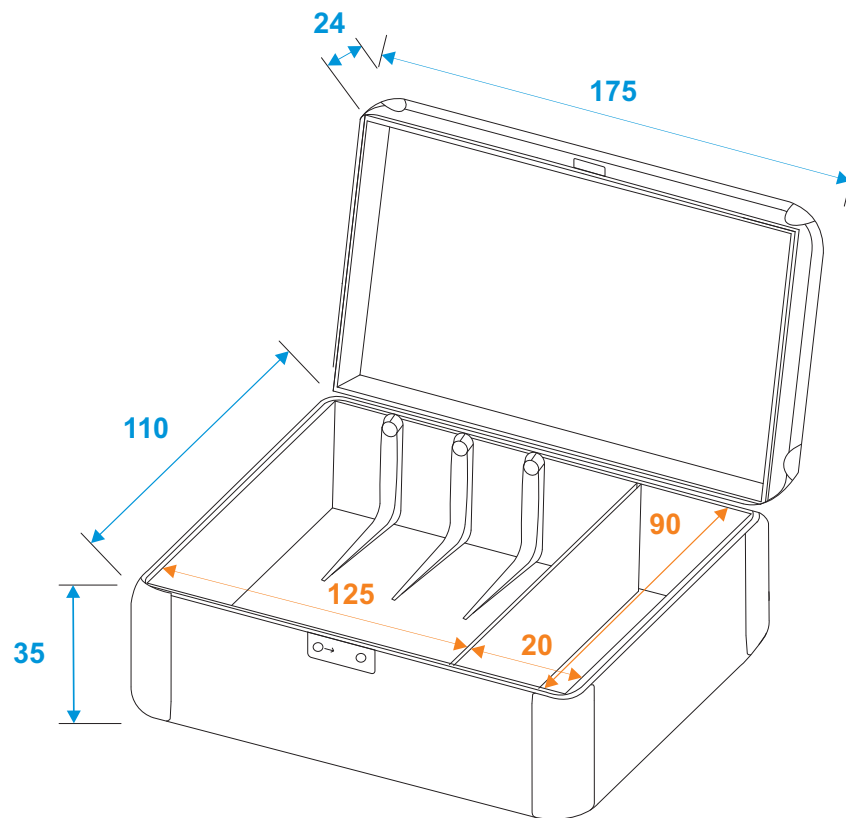




# Flightcase

**30110105** Case for 3 turntable systems



\*all dimensions in millimeters

