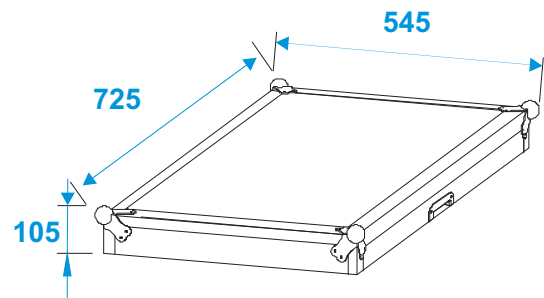
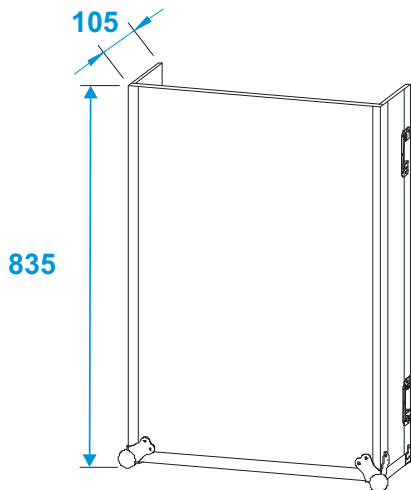
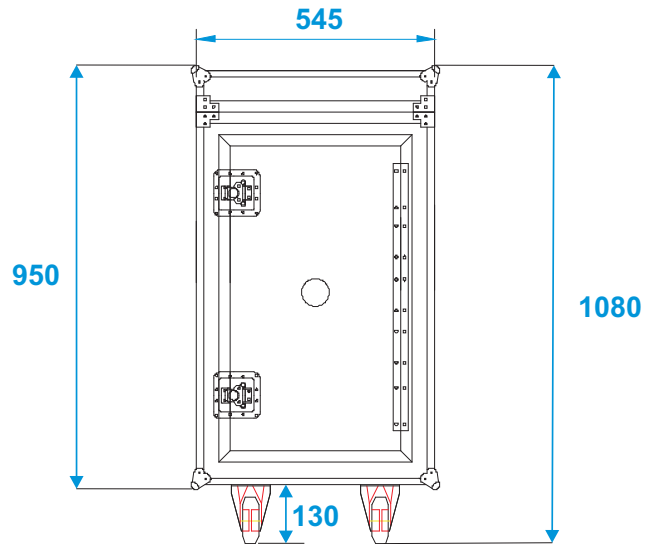
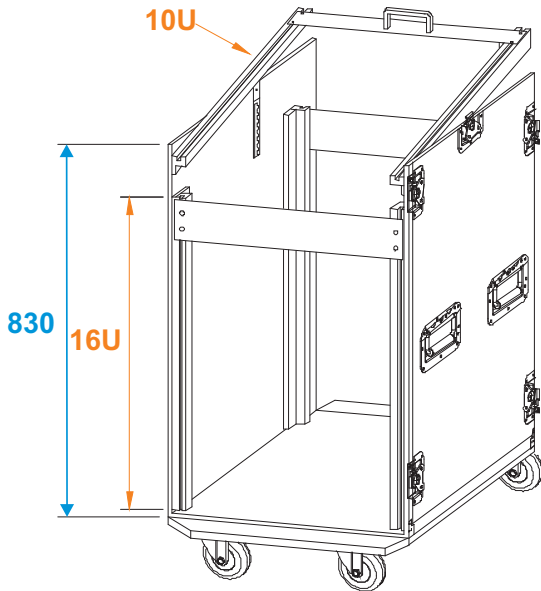




# Flightcase

**3011000V** SPECIAL COMBO CASE U 16U



\*all dimensions in millimeters