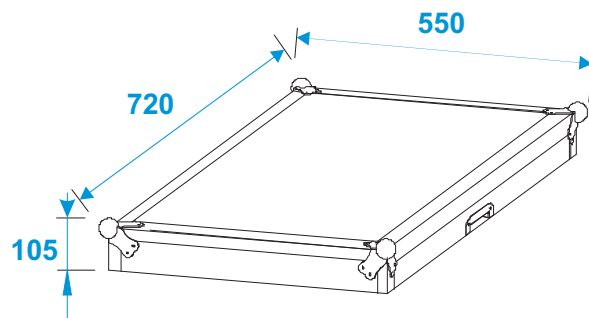
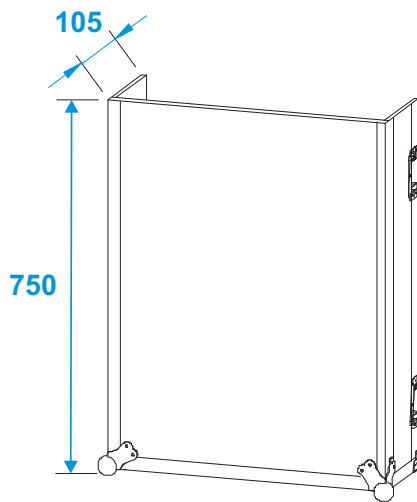
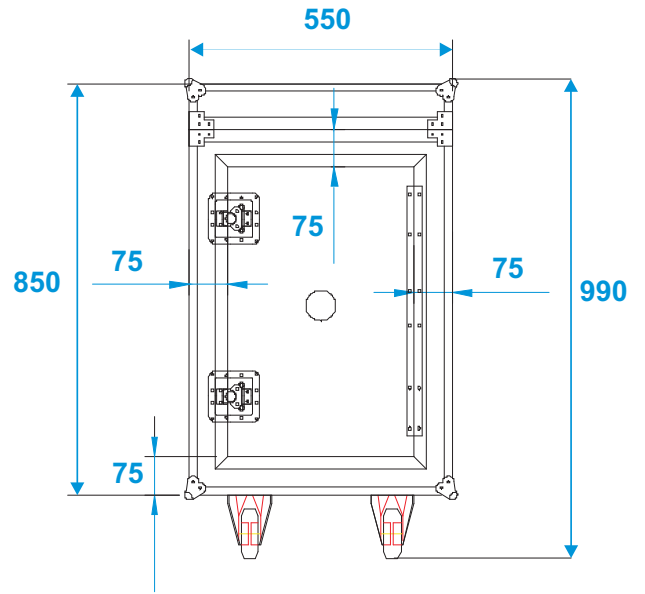
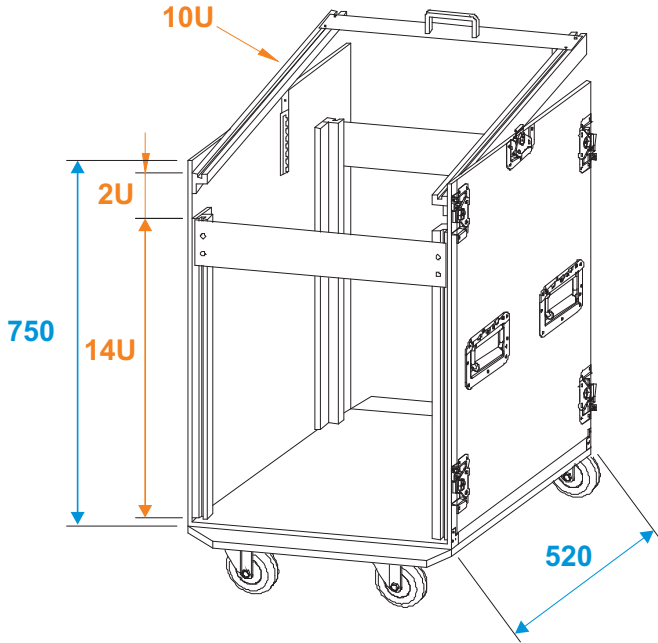




Flightcase

3011000U SPECIAL COMBO CASE U 14U



*all dimensions in millimeters