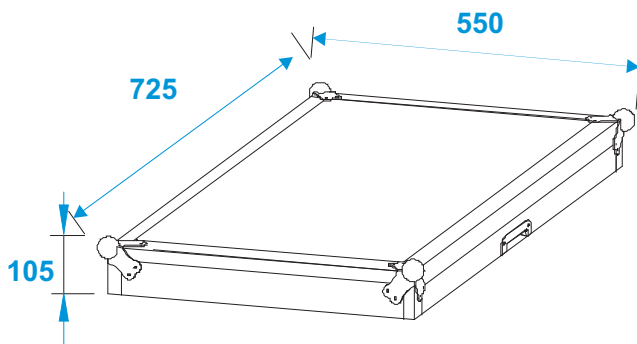
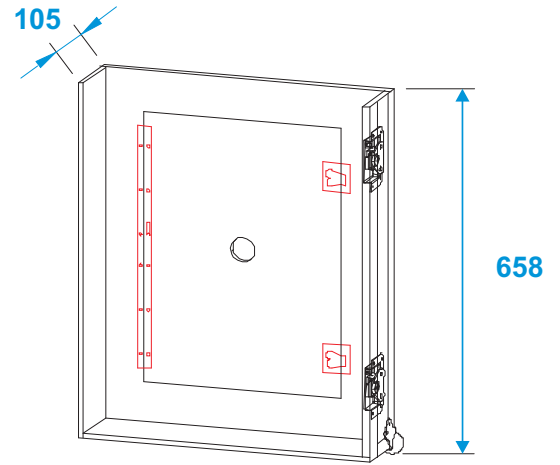
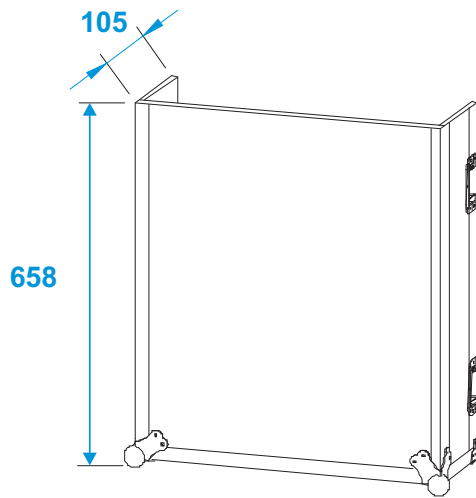
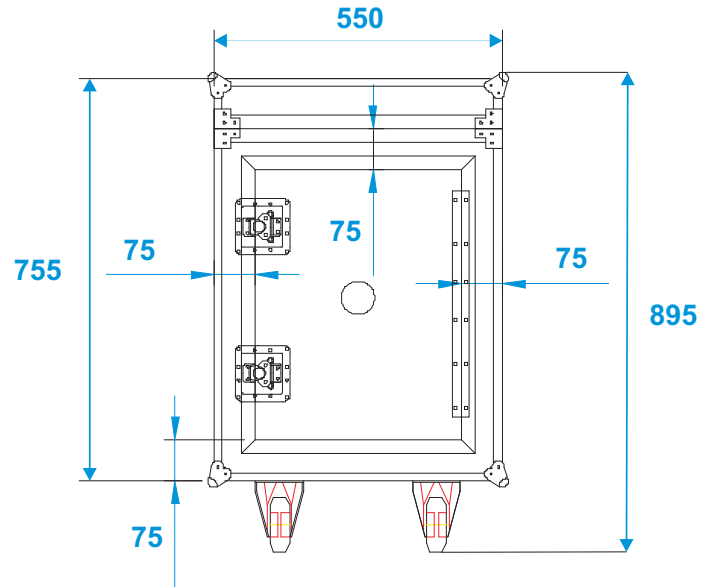
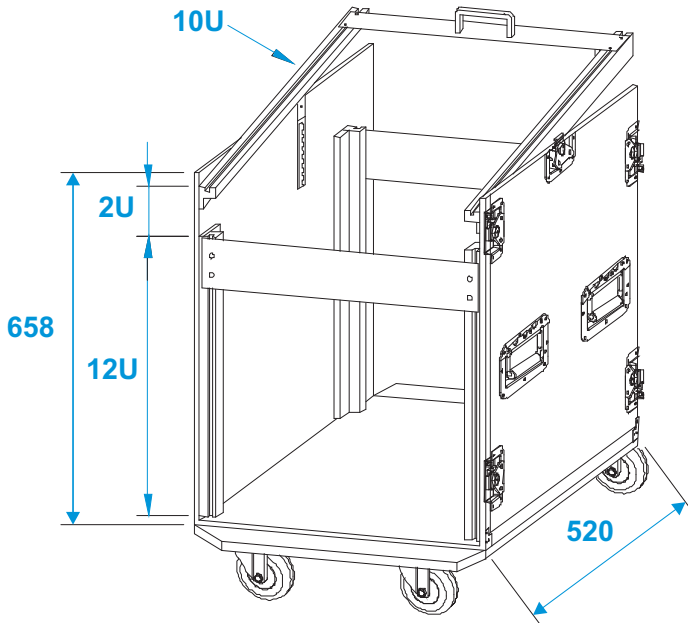


Flightcase

3011000T SPECIAL COMBO CASE U 12U



*all dimensions in millimeters

