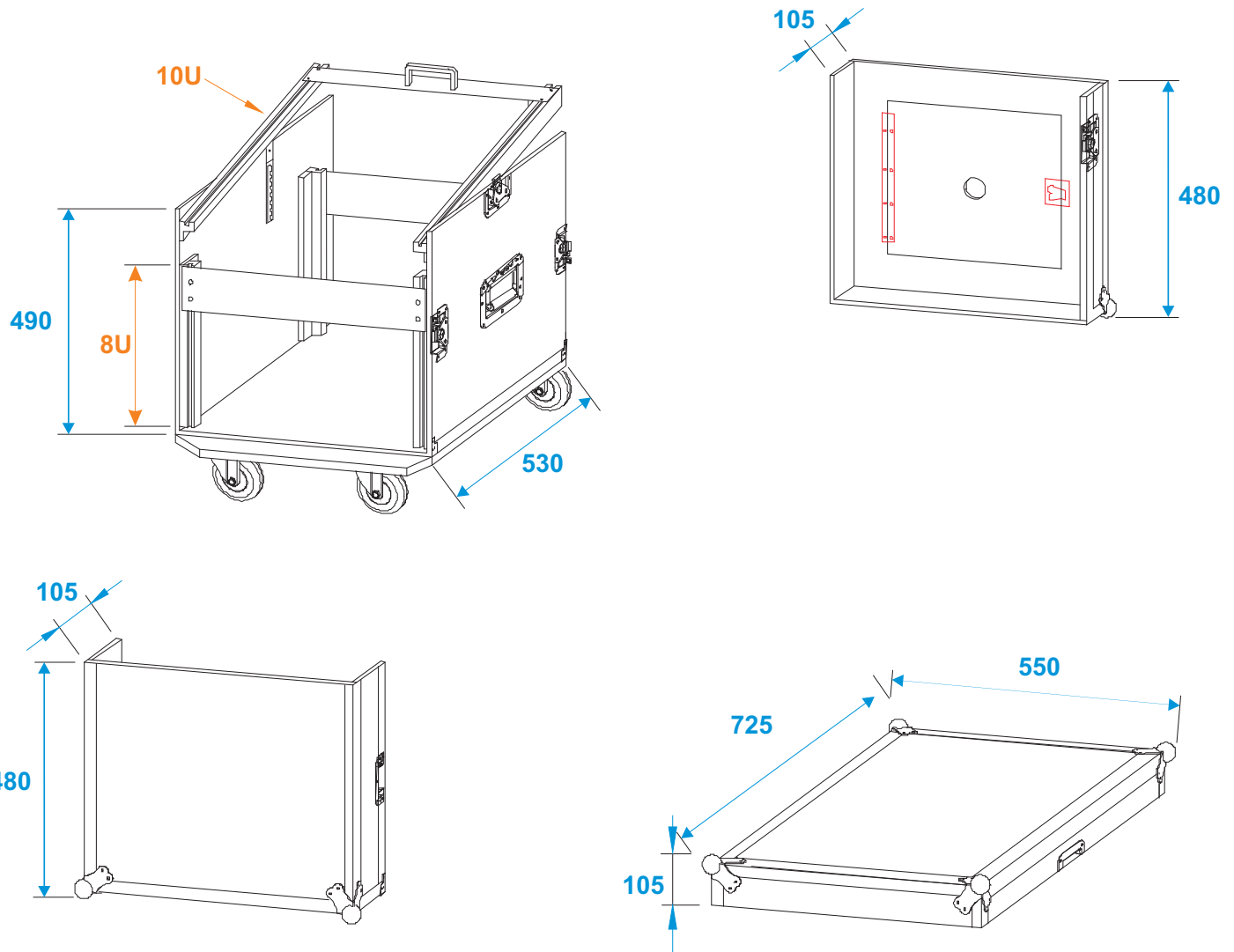


Flightcase

301100R Spezial-Kombi-Case U 8HE



*all dimensions in millimeters