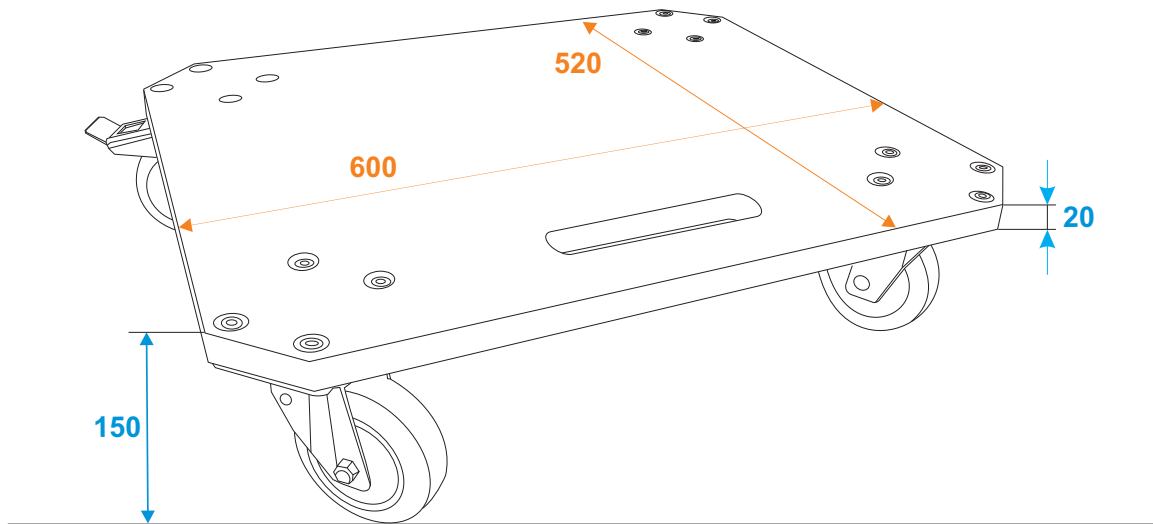




# Flightcase

**30109818** Wheel board MDF, 4x castors (2x brake)



\*all dimensions in millimeters