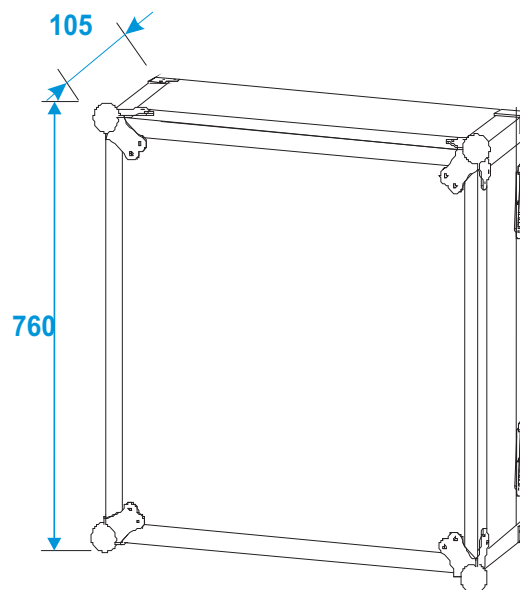
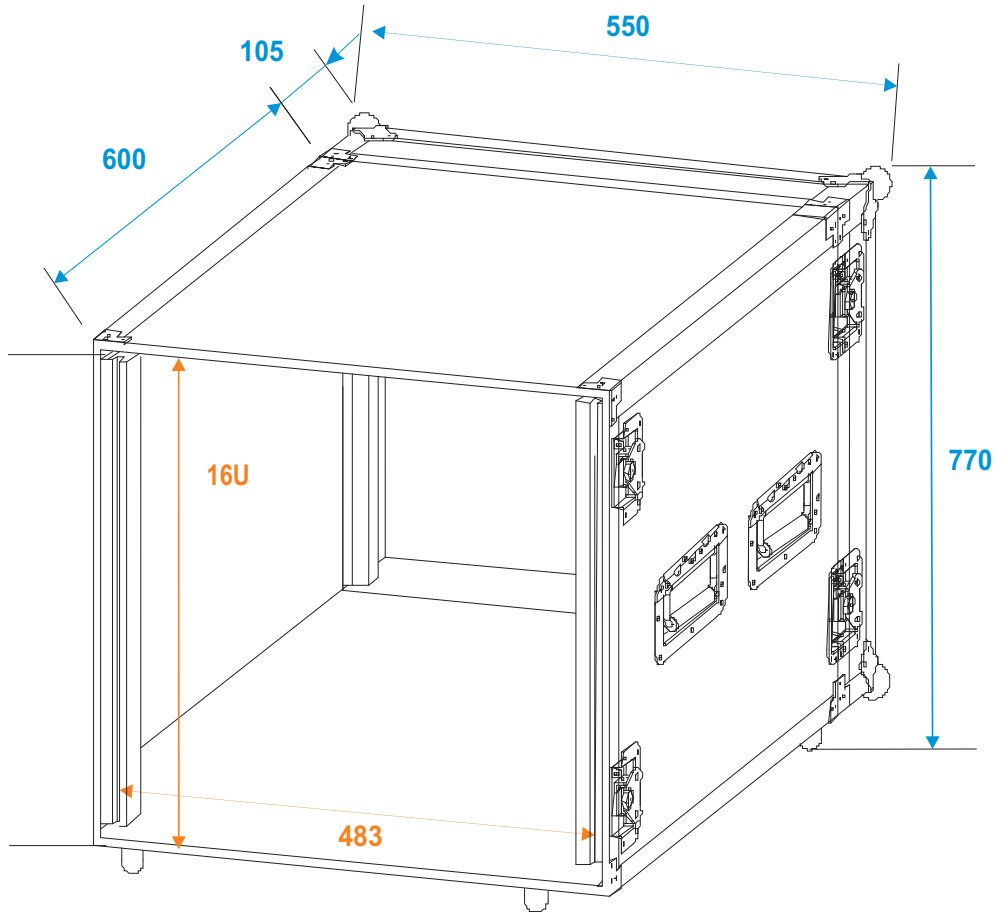


# Flightcase

**30109799** Amplifier rack PR-2ST,16U 55cm deep



\*all dimensions in millimeters