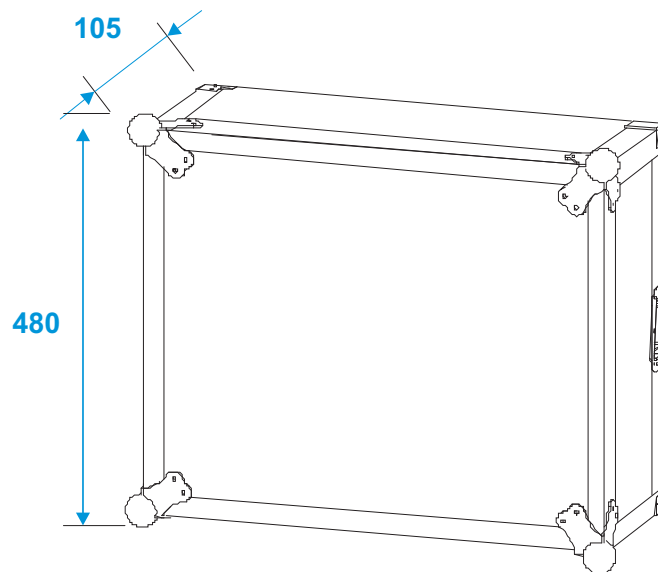
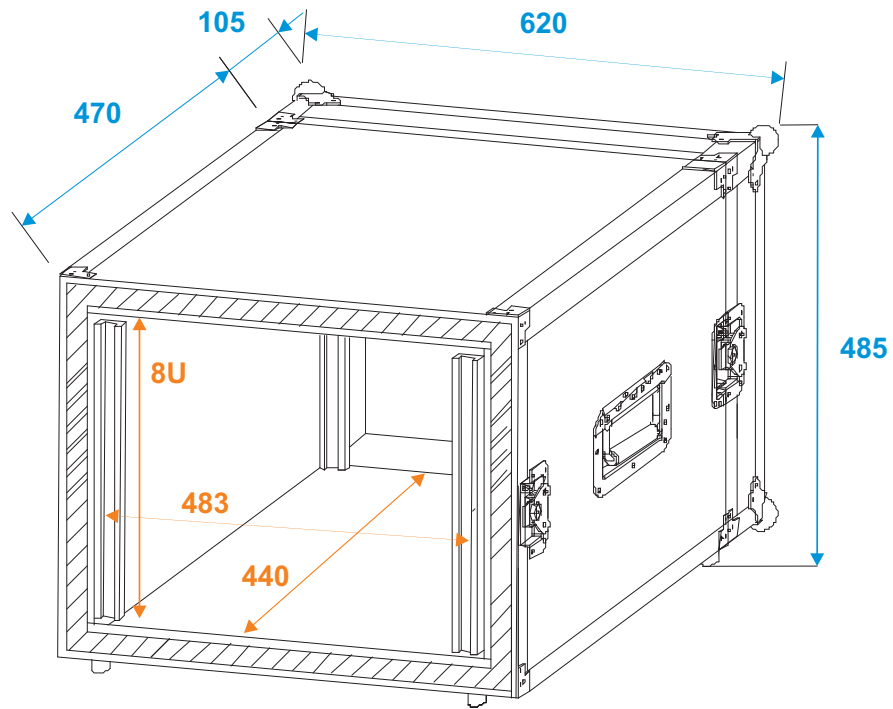




# Flightcase

**30109714** AMPLIFIER RACK SP-2 8U



\*all dimensions in millimeters