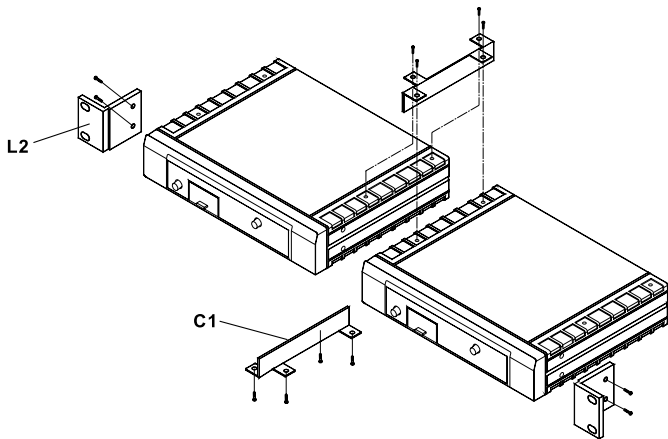


To combine two receivers in a 19" standard rack by using 2 short L type plastics racks (L2) and 2 metal connecting plates (C1). (Each system includes a L2 and a C1.)



To mount a receiver in a 19" standard rack by using 2 L type long metal racks (L1). (L1 is an optional product, so please purchase extra in local shops.)

