



DR-415

Diversity Receiver

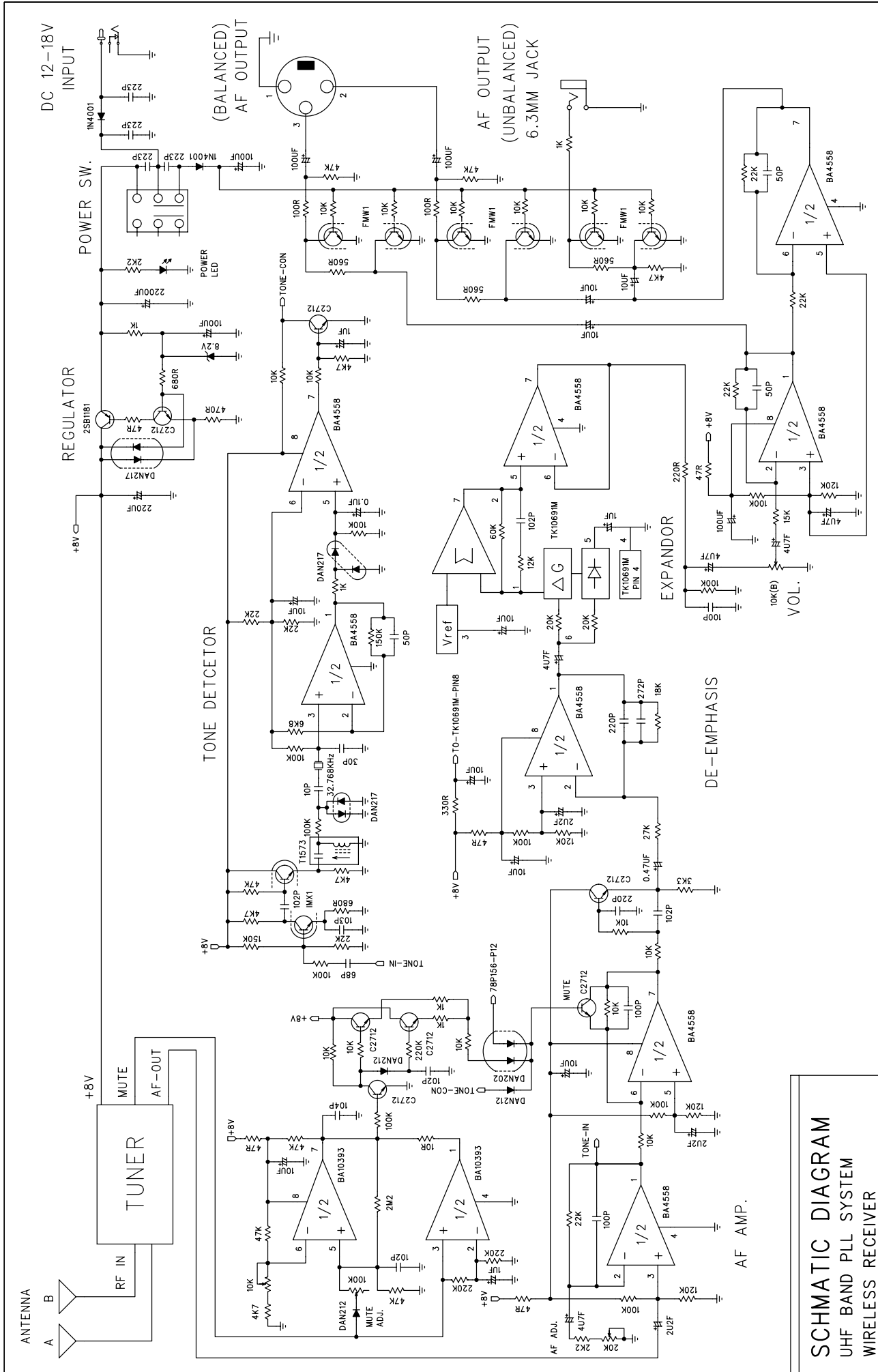
Service-Dokumente

Service-documents

Documents de service

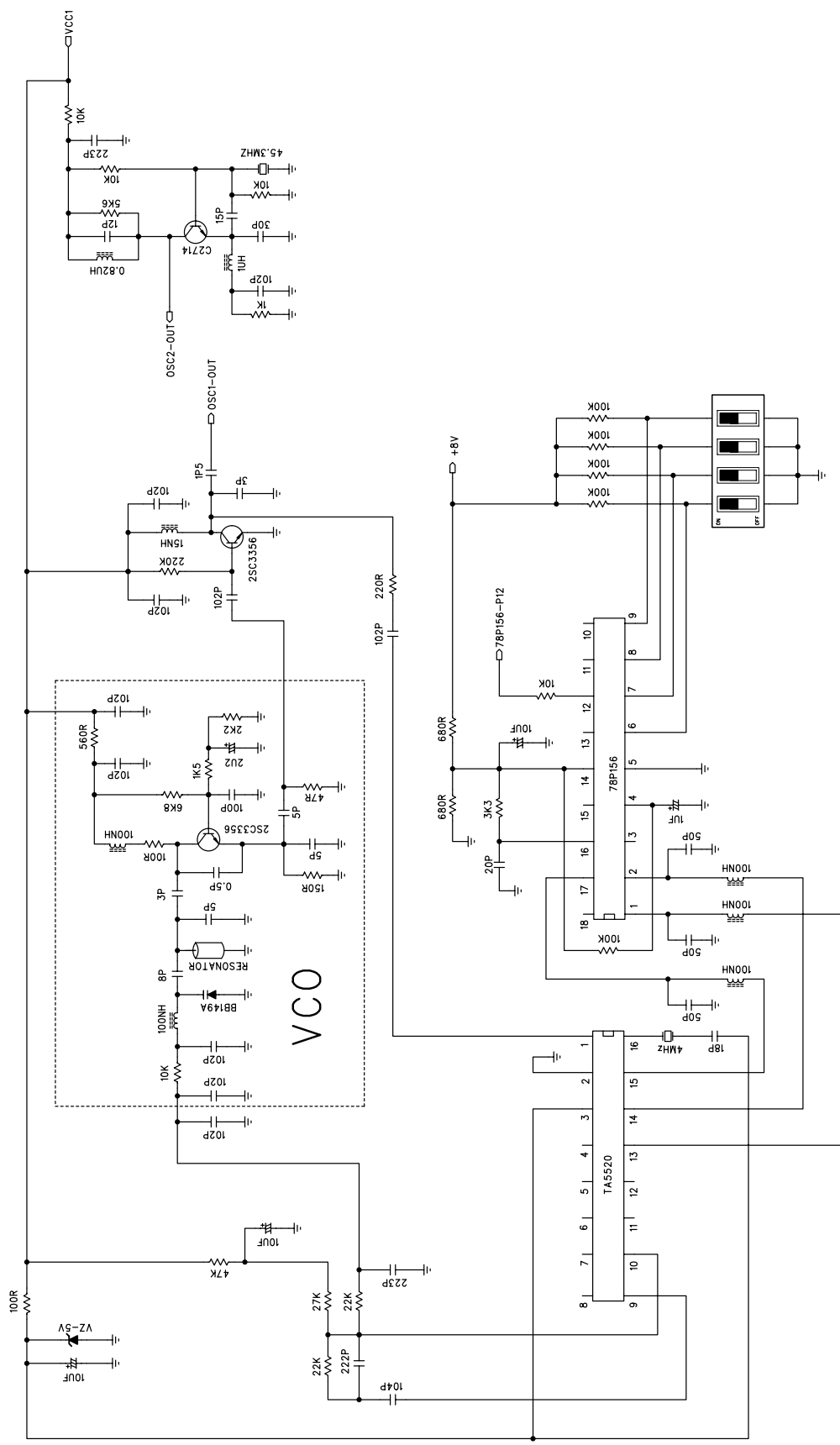
Documentos de servicio

Version 1.0



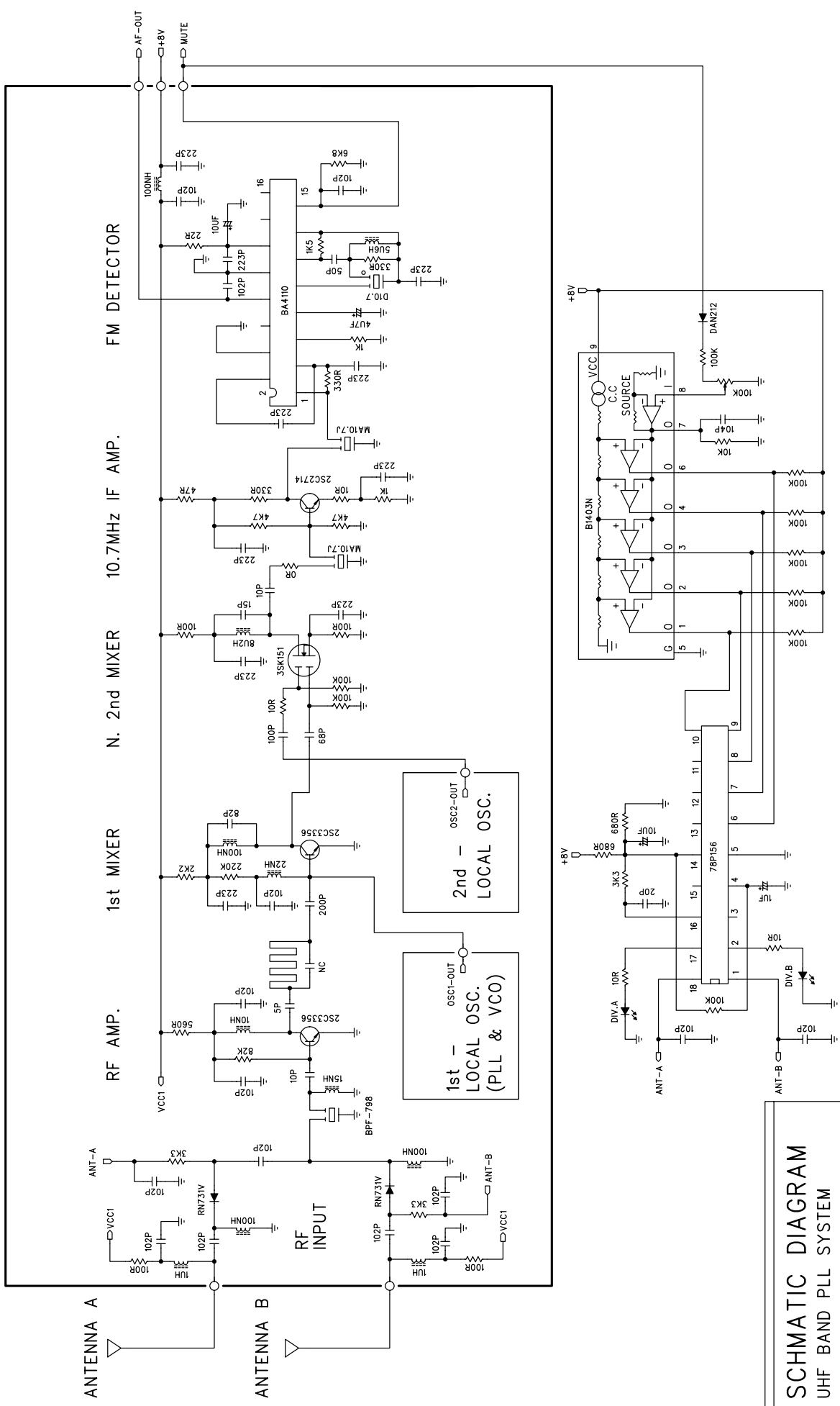
SCHEMATIC DIAGRAM
 UHF BAND PLL SYSTEM
 WIRELESS RECEIVER
 SWITCH DIVERSITY
 MODEL: DR-451 AUDIO

DWG NO	FILES NAME	MATERIAL	PART NO.	DATE	VER:
				SEP 12 2002	A
DRAW BY	CHECK	APPROVE			



SCHMATIC DIAGRAM
 UHF BAND PLL SYSTEM
 WIRELESS RECEIVER
 SWITCH DIVERSITY
 MODEL: DR-415 VCO&OSC

DWG NO	FILES NAME	MATERIAL	PART NO.	DATE	VER:
	CHECK	APPROVE		SEP 12 2002	A
DRAW BY					



SCHMATIC DIAGRAM
 UHF BAND PLL SYSTEM
 WIRELESS RECEIVER
 SWITCH DIVERSITY
 MODEL: DR-415 TUNNER

DWG NO	FILES NAME	MATERIAL	PART NO.	DATE	VER:
	CHECK	APPROVE		SEP 12 2002	A