



HM-115

Handheld microphone

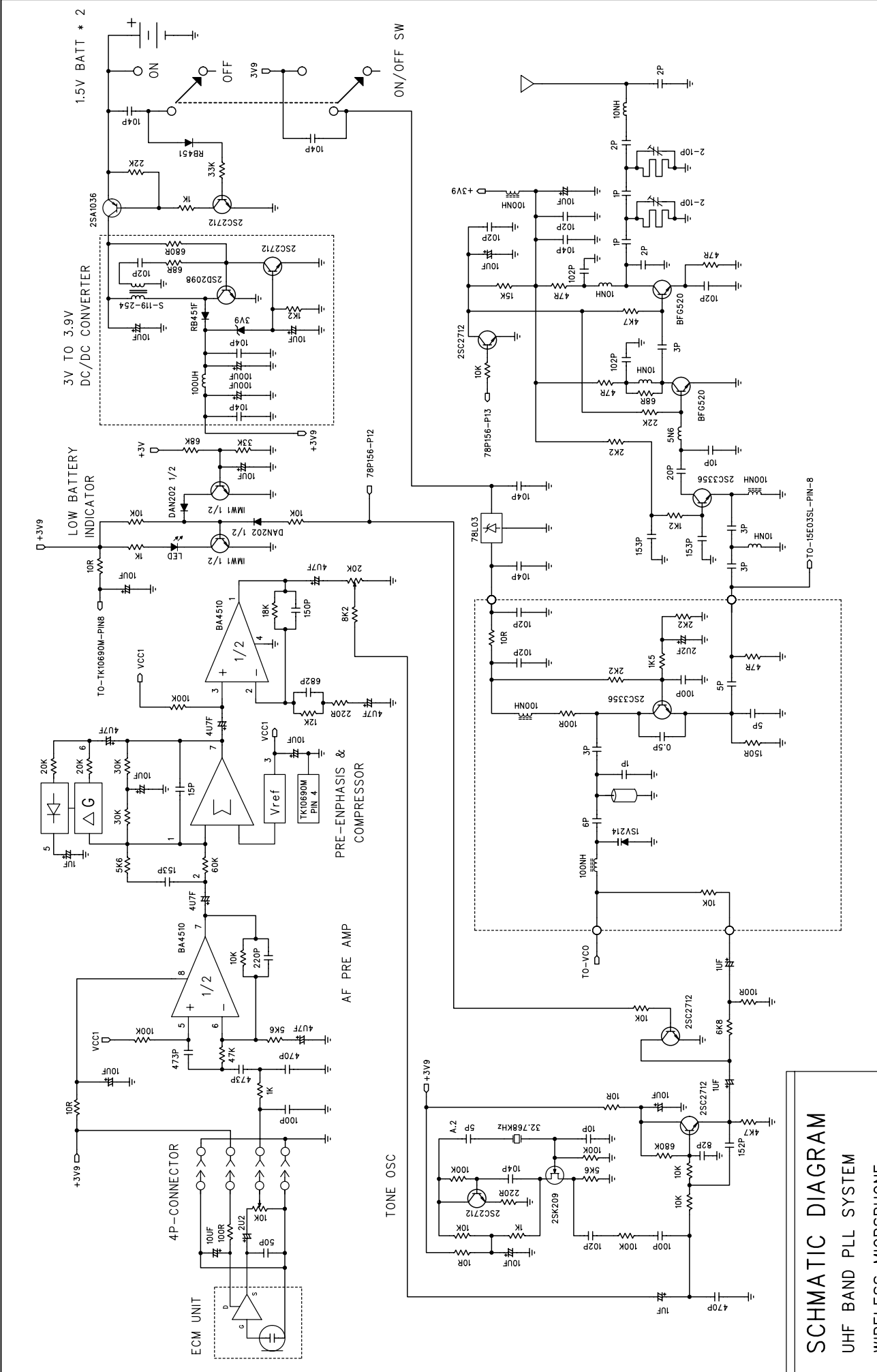
Service-Dokumente

Service-documents

Documents de service

Documentos de servicio

Version 1.0



SCHMATIC DIAGRAM
 UHF BAND PLL SYSTEM
 WIRELESS MICROPHONE
 MODEL: HM-115 AUDIO

DWG NO	FILES NAME	MATERIAL	PART NO.	DATE	VER:
	CHECK	APPROVE		SEP 12 2002	A
DRAW BY					

