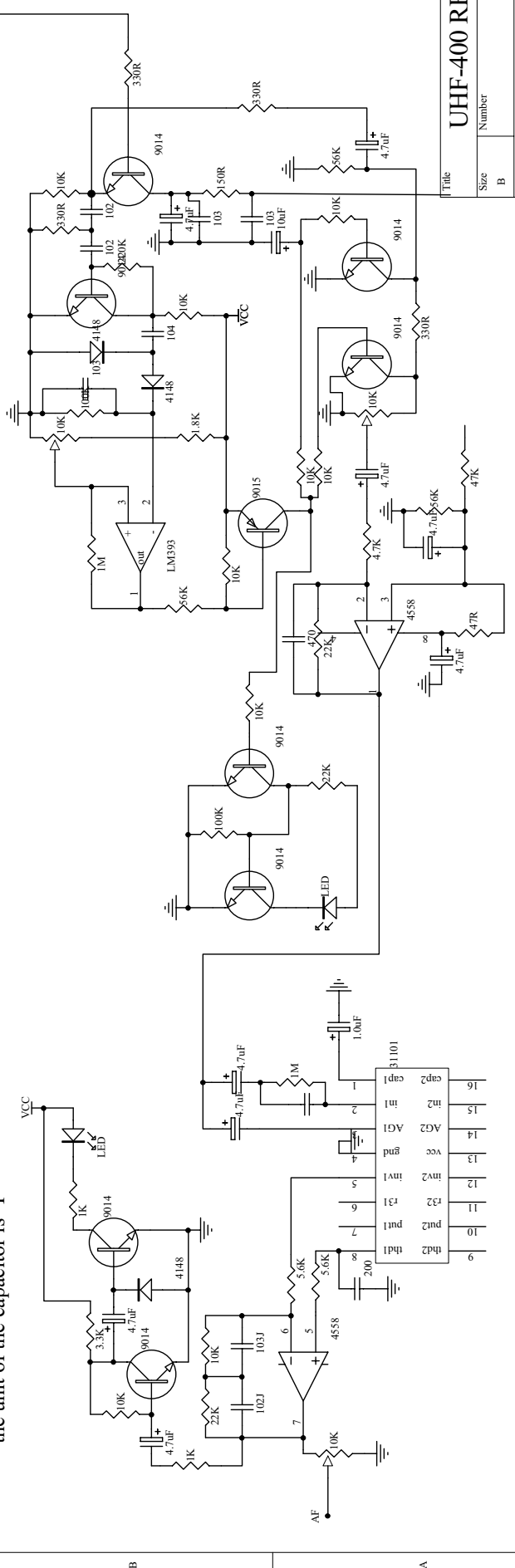
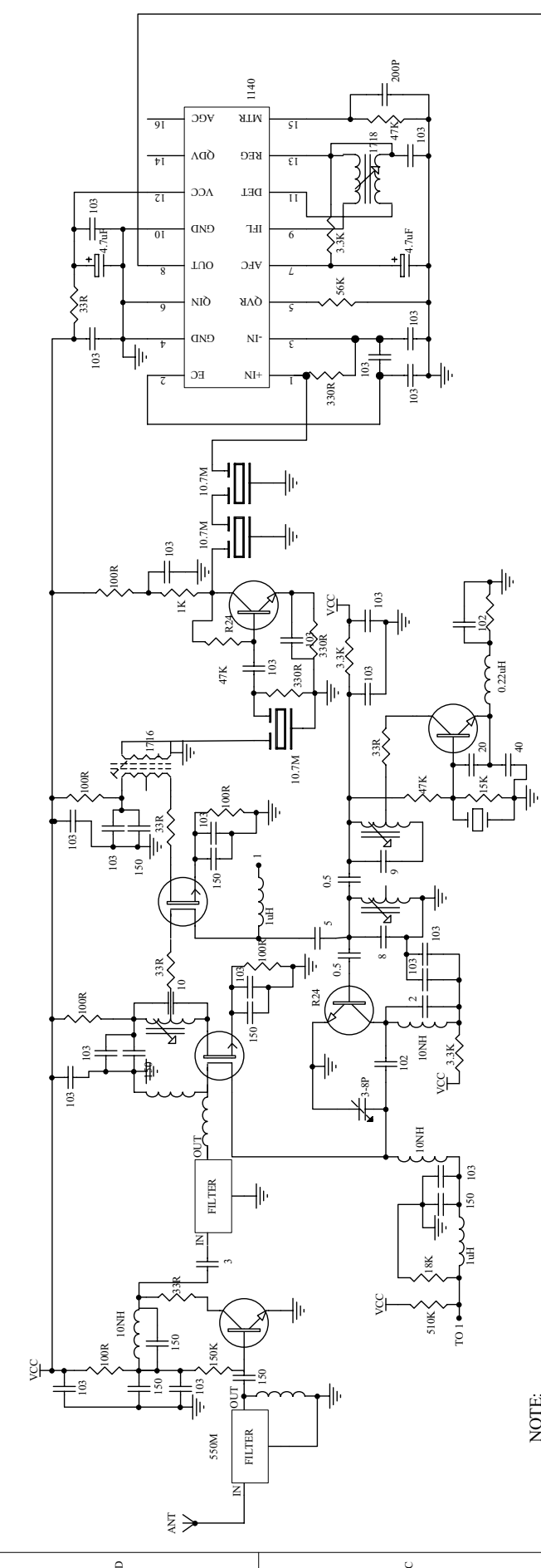




# **UHF-400 MIC SET**

**Service-Dokumente  
Service-documents  
Documents de service  
Documentos de servicio**

**Version 1.0**

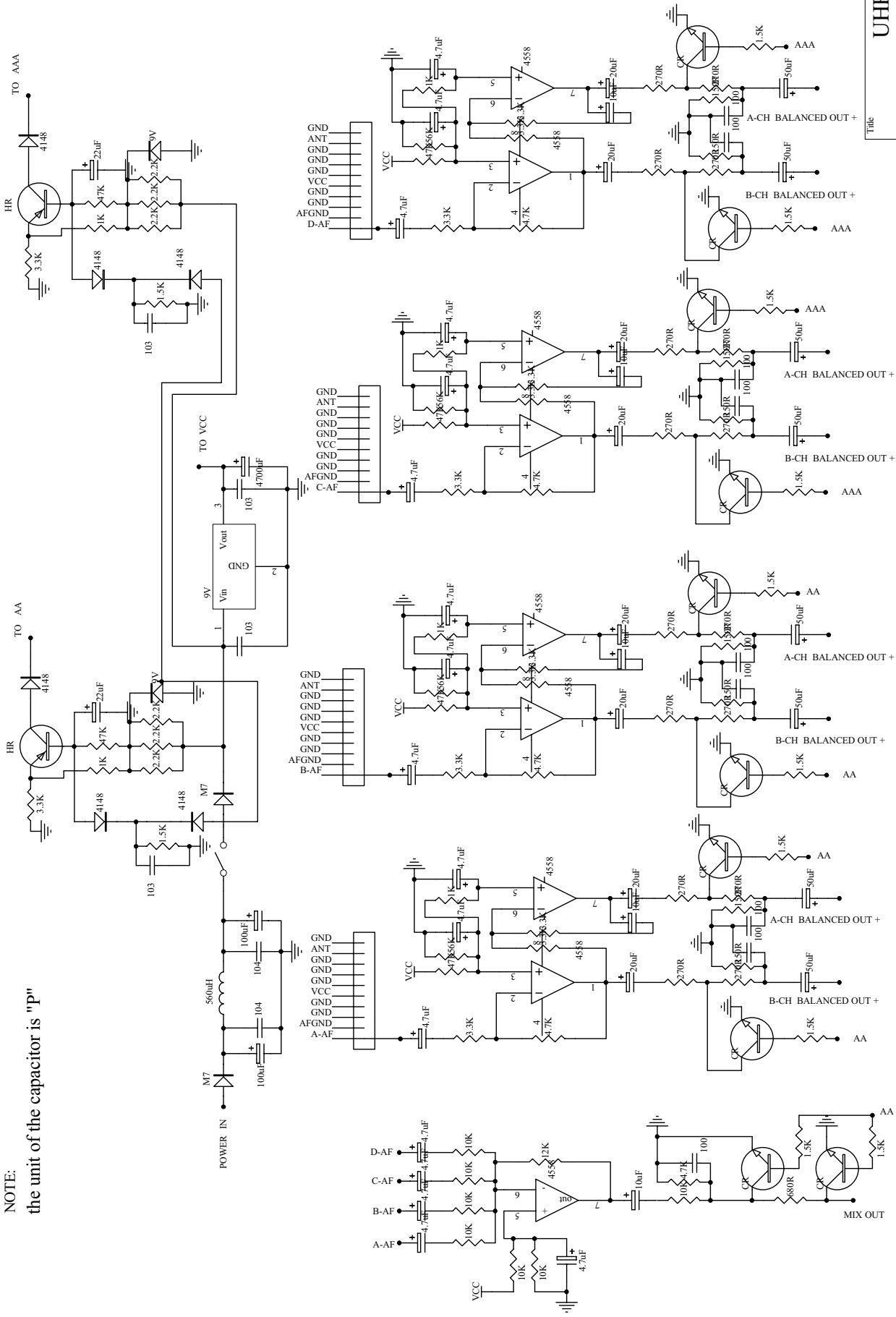


NOTE:  
the unit of the capacitor is "p"

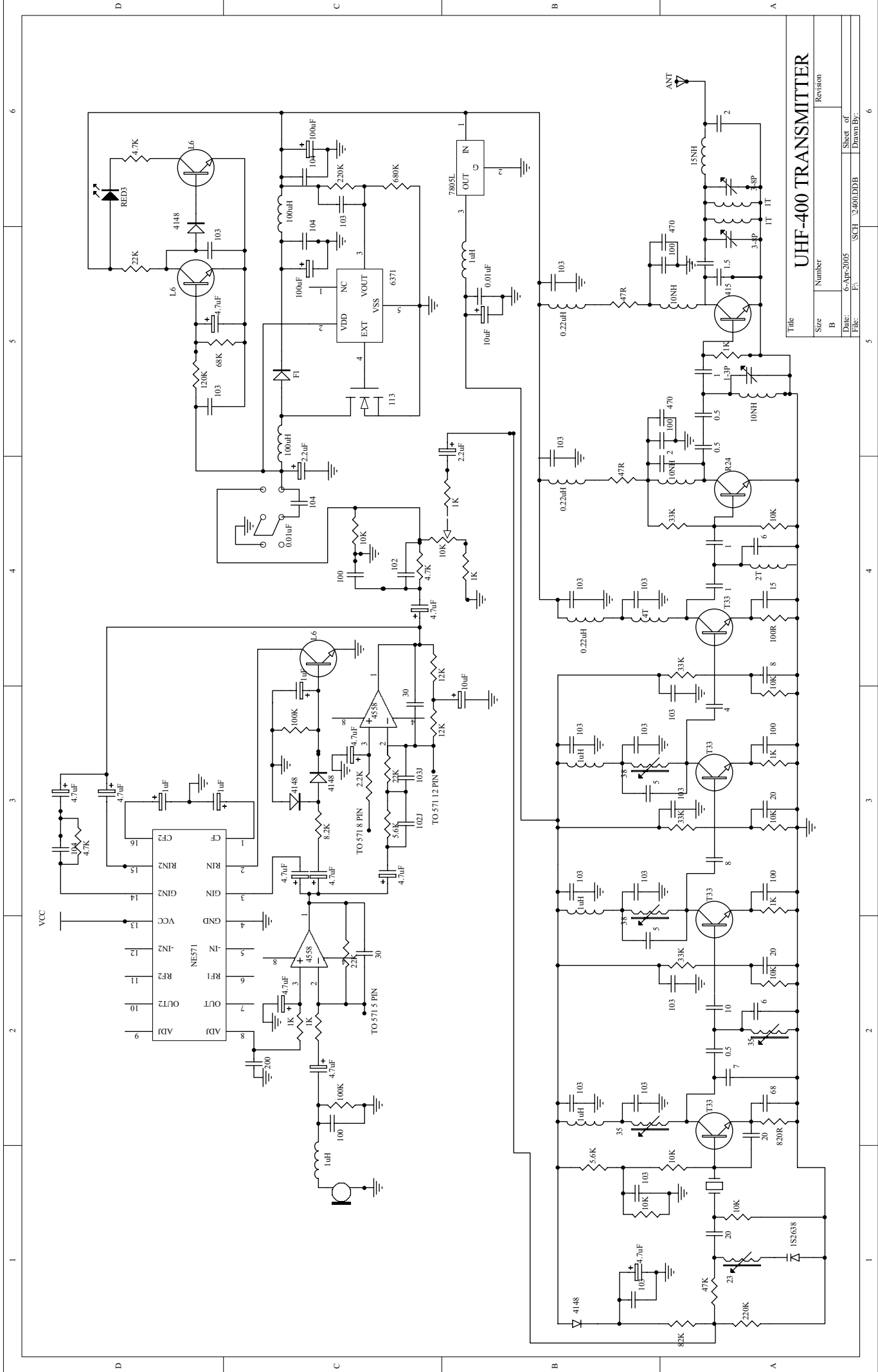
Title	
Size	Number
B	
Date:	Revision
6-Apr-2005	
File:	Sheet of
SCH_2400.DDB	6
	Drawn By:

# UHF-400 RECEIVER

NOTE:  
the unit of the capacitor is "pF"



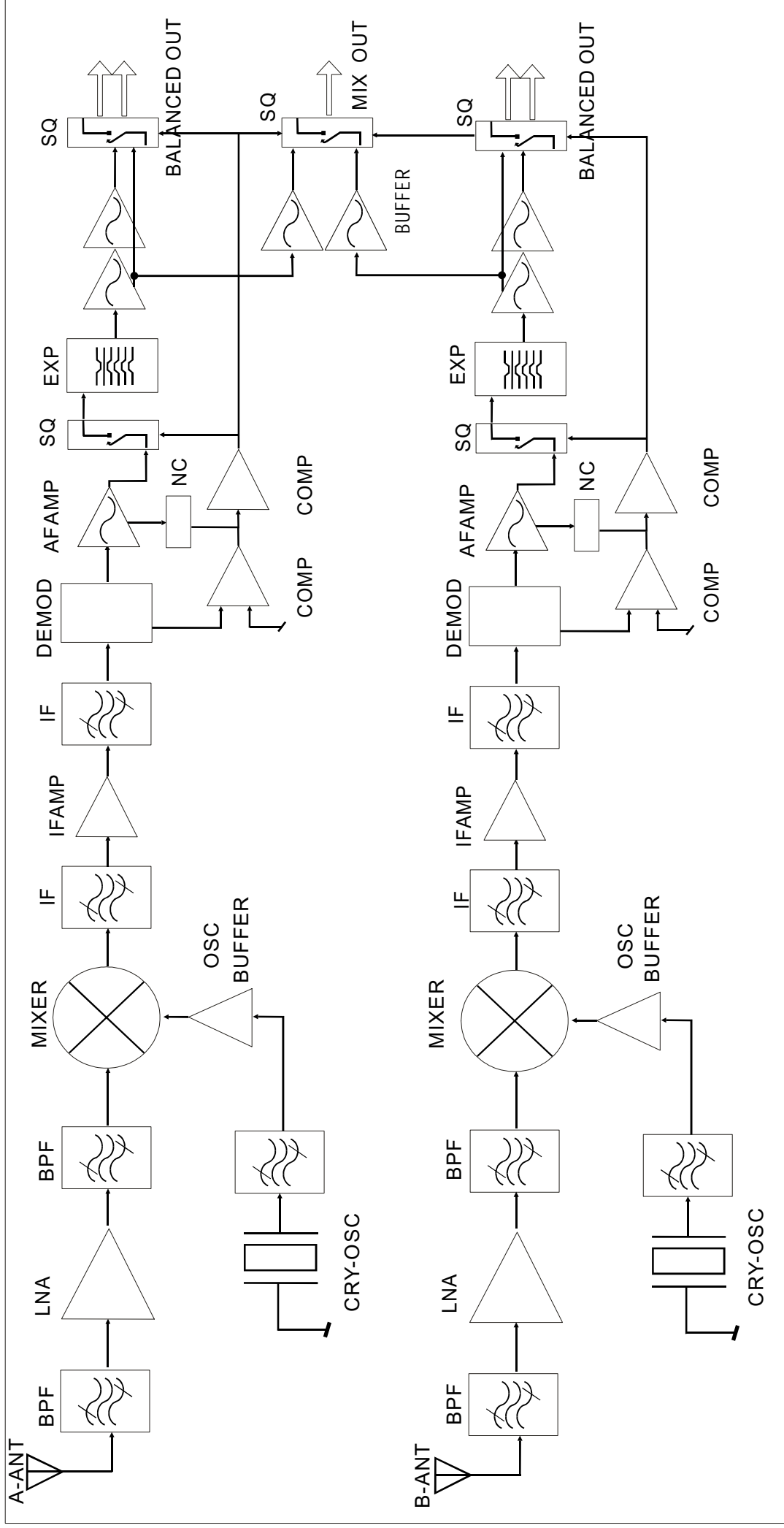
Title		Revision	
Size	Number		
B			
Date:	6-Apr-2005	Sheet of	
File:	SCHEM_02400.DDB	Drawn By:	



# UHF-400 TRANSMITTER

Revision	
Size	Number
B	
Date:	6-Apr-2005
File:	SCH_V-400.DDB
Sheet of	6
Drawn By:	

# UHF-400 RECEIVER



# UHF-400 TRANSMITTER

