

WSF121.70G

Lavoce

12" GUITAR WOOFER

FERRITE MAGNET
STEEL BASKET DRIVER



- 1.8 INCH COPPER VOICE COIL
- 99 dB/SPL SENSITIVITY
- 200 WATT PROGRAM POWER HANDLING
- SMOOTH AND SILKY TONE
- CONTROLLED LOW-END, FAT AND WARM MIDS, DETAILED AND HARMONICALLY RICH HIHGS

GENERAL SPECIFICATIONS

| | | |
|----------------------------------|---------------------------|---------------------------------------|
| Nominal diameter | mm (in.) | 300 (12) |
| Nominal impedance | Ω | 8 |
| Minimum impedance | Ω | 7,3 |
| Program power (1) | W | 200 |
| AES Power rating (2) | W | 100 |
| Sensitivity (3) | dB | 99,0 |
| Frequency range | Hz | 70 ÷ 5000 |
| Voice coil diameter | mm (in.) | 45 (1.8) |
| Chassis material | Steel | |
| Magnet material | Ferrite | |
| Magnet dimensions OD x ID x h | mm (in.) | 155 x 80 x 20 (6.14 x 3.15 x 0.79) |
| Coil material | Copper | |
| Former material | Polyimide | |
| Cone material | Water Proof Treated Paper | |
| Surround material | Paper | |
| Xmax (4) | mm (in.) | 2,3 (0.09) |
| Xmech (5) | mm (in.) | 6,3 (0.25) |
| Gap height | mm (in.) | 8 (0.31) |
| Voice coil winding height | mm (in.) | 8,6 (0.34) |
| Driver displacement volume | l (ft ³) | 2,2 (0.08) |

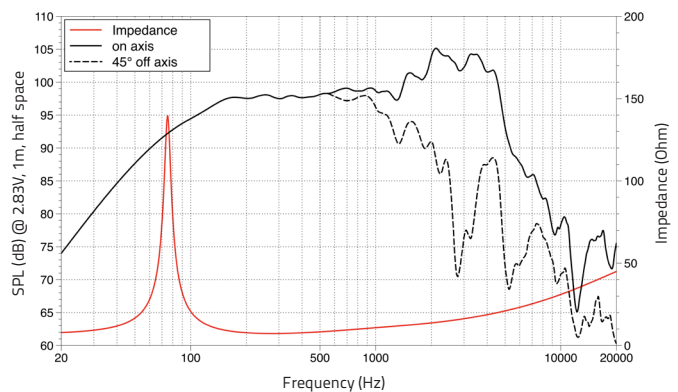
SMALL SIGNAL PARAMETERS

| | | | |
|-----------------------|-------|-------------------------------------|-------------|
| DC resistance | Re | Ohm | 6,6 |
| Resonance frequency | Fs | Hz | 75 |
| Moving mass | Mms | g (oz) | 33,2 (1.17) |
| Compliance | Cms | mm/N | 0,13 |
| Force factor | BxL | N/A | 13,5 |
| Mechanical Q-factor | Qms | | 11,0 |
| Electrical Q-factor | Qes | | 0,56 |
| Total Q-factor | Qts | | 0,54 |
| Equivalent air volume | Vas | l (ft ³) | 48 (1.7) |
| Voice coil Inductance | Le | mH | 0,57 |
| Diaphragm area | Sd | cm ² (in. ²) | 506 (78.43) |
| Reference efficiency | Eta 0 | % | 3,50 |

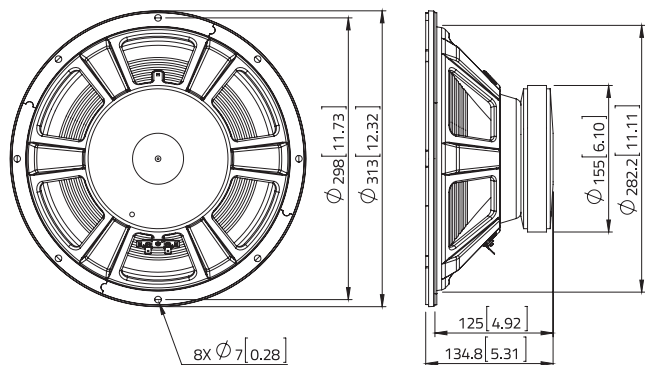
SHIPPING INFORMATION

| | | |
|--------------------|----------|------------------------------------|
| Net weight | kg (lb.) | 3,2 (7) |
| Multipack size (1) | mm (in.) | 356 x 356 x 173 (14 x 14 x 6.8) |
| Multipack weight | kg (lb.) | 4,1 (9.1) |

FREQUENCY RESPONSE



DIMENSIONS mm (in.)



(1) Program power is defined as 3 dB greater than AES Power. (2) Tested for two hours using a continuous, band-limited pink noise signal as per AES 2-1984 Rev. 2003. Loudspeaker tested in free air. (3) From T/S parameters, measured with Klippel DA LPM module. (4) The Xmax is calculated as: $(Hvc - Hg)/2 + Hg/4$. Hvc is the voice coil height and Hg the gap height. (5) The Xmech is calculated as: $(Hvc - Hg)/2 + (Hg - 2)$. Hvc is the voice coil height and Hg the gap height. (6) Thiele-Small parameters are measured after preconditioning: a) at 20°C - 22°C, 50% humidity for 2 hours; b) by Klippel LSI measurement.

All specifications subject to change without notice_B.a

