

FBASS08-18

Lavoce

8" BASS GUITAR WOOFER

FERRITE MAGNET
STEEL BASKET DRIVER



- 1.8 INCH COPPER VOICE COIL
- 93 dB/SPL SENSITIVITY
- 300 WATT PROGRAM POWER HANDLING
- RUBBER SURROUND MATERIAL
- OVERALL BALANCED AND RICH TONE
- SOLID LOW-END AND TIGHT MID-HIGH'S

GENERAL SPECIFICATIONS

Nominal diameter	mm (in.)	200 (8)
Nominal impedance	Ω	8
Minimum impedance	Ω	6,2
Program power (1)	W	300
AES Power rating (2)	W	150
Sensitivity (3)	dB	93
Frequency range	Hz	50 ÷ 5000
Voice coil diameter	mm (in.)	45 (1.8)
Chassis material	Steel	
Magnet material	Ferrite	
Magnet dimensions OD x ID x h	mm (in.)	130 x 60 x 18 (5.12 x 2.36 x 0.71)
Coil material	Copper	
Former material	Glass fiber	
Cone material	Water Proof Treated Paper	
Surround material	Rubber	
Xmax (4)	mm (in.)	4,5 (0.18)
Xmech (5)	mm (in.)	7 (0.28)
Gap height	mm (in.)	6 (0.24)
Voice coil winding height	mm (in.)	12 (0.47)
Driver displacement volume	l (ft ³)	0,7 (0.03)

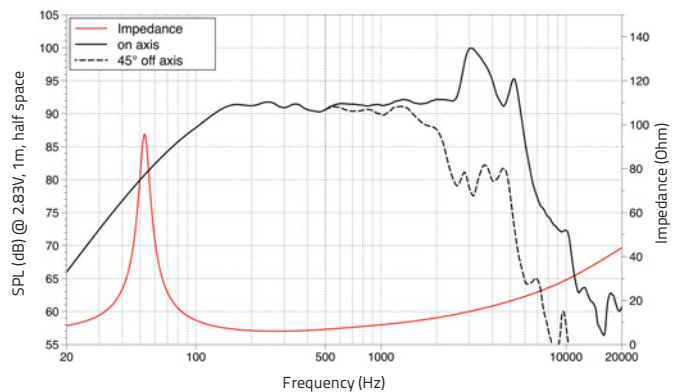
SMALL SIGNAL PARAMETERS

DC resistance	Re	Ohm	5,6
Resonance frequency	Fs	Hz	53
Moving mass	Mms	g (oz)	30 (1.06)
Compliance	Cms	mm/N	0,30
Force factor	BxL	N/A	11,4
Mechanical Q-factor	Qms		6,9
Electrical Q-factor	Qes		0,42
Total Q-factor	Qts		0,40
Equivalent air volume	Vas	l (ft ³)	24 (0.85)
Voice coil inductance	Le	mH	0,58
Diaphragm area	Sd	cm ² (in. ²)	235 (36.43)
Reference efficiency	Eta 0	%	0,8

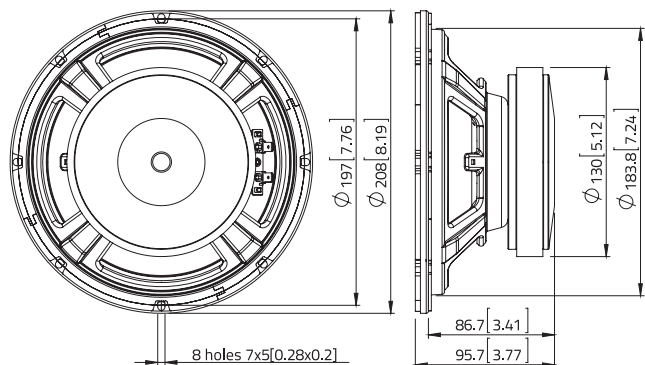
SHIPPING INFORMATION

Net weight	kg (lb.)	3 (6.6)
Multipack size (1)	mm	260 x 260 x 137
W x D x H	(in.)	(10.2 x 10.2 x 5.4)
Multipack weight	kg (lb.)	3,9 (8.7)

FREQUENCY RESPONSE



DIMENSIONS mm (in.)



(1) Program power is defined as 3 dB greater than AES Power. (2) Tested for two hours using a continuous, band-limited pink noise signal as per AES 2-1984 Rev. 2003. Loudspeaker tested in free air. (3) From T/S parameters, measured with Klippel DA LPM module. (4) The Xmax is calculated as: $(Hvc - Hg)/2 + Hg/4$. Hvc is the voice coil height and Hg the gap height. (5) The Xmech is calculated as: $(Hvc - Hg)/2 + (Hg - 2)$. Hvc is the voice coil height and Hg the gap height. (6) Thiele-Small parameters are measured after preconditioning: a) at 20°C - 22°C, 50% humidity for 2 hours; b) by Klippel LSI measurement.

All specifications subject to change without notice_B.a

